



US00D593364S

(12) **United States Design Patent**
Harris

(10) **Patent No.:** **US D593,364 S**

(45) **Date of Patent:** **** Jun. 2, 2009**

(54) **COMBINED BASE AND BOWL**

(76) **Inventor:** **Charles E. Harris**, 104-6 Moo 17
Tambol Mae Fah Luang, P.O. Box 18,
Mae Fah Luang District, Chiang Rai
(TH) 57240

(**) **Term:** **14 Years**

(21) **Appl. No.:** **29/298,672**

(22) **Filed:** **Dec. 10, 2007**

(51) **LOC (9) Cl.** **07-01**

(52) **U.S. Cl.** **D7/505; D7/584; D7/586**

(58) **Field of Classification Search** D7/505,
D7/507, 550.1, 554.3, 543, 545, 553.1, 553.3,
D7/562, 535, 555, 500, 540, 554.2, 566, 584,
D7/587, 586, 561, 557, 624.1, 396.6; D30/129;
D26/121; 220/574, 575, 657, 506, 557, 574.1,
220/574.2; 206/564, 557, 426, 454, 563;
229/938, 401; 211/14; 294/172; D9/456,
D9/457, 499

See application file for complete search history.

(56) **References Cited**

U.S. PATENT DOCUMENTS

D56,761 S * 12/1920 Miller D30/129
2,053,949 A * 9/1936 Emery 220/574
3,622,036 A * 11/1971 Bongaerts 220/574
D281,758 S * 12/1985 Trombly D7/392.1
D313,487 S * 1/1991 Conner D30/129
D424,757 S * 5/2000 Cooper et al. D30/129
6,561,375 B1 * 5/2003 Nagy 220/574
6,571,980 B2 * 6/2003 Littlejohn et al. 220/574

D504,196 S * 4/2005 Huthmaker et al. D30/129
D509,106 S * 9/2005 de Groote et al. D7/587
D523,996 S * 6/2006 Fine D30/129
7,306,112 B2 * 12/2007 Shepard 220/506
D564,710 S * 3/2008 Modi et al. D30/129
D575,581 S * 8/2008 Harris D7/396.6
D576,448 S * 9/2008 Harris D7/505

* cited by examiner

Primary Examiner—Charles A Rademaker

(74) *Attorney, Agent, or Firm*—Nixon Peabody LLP; Donald
L. Bartels

(57) **CLAIM**

The ornamental design for a combined base and bowl, as
shown and described.

DESCRIPTION

FIG. 1 is a top perspective view of a combined base and bowl
showing my new design;

FIG. 2 is a bottom perspective view thereof;

FIG. 3 is a side elevation thereof;

FIG. 4 is a top plan view thereof;

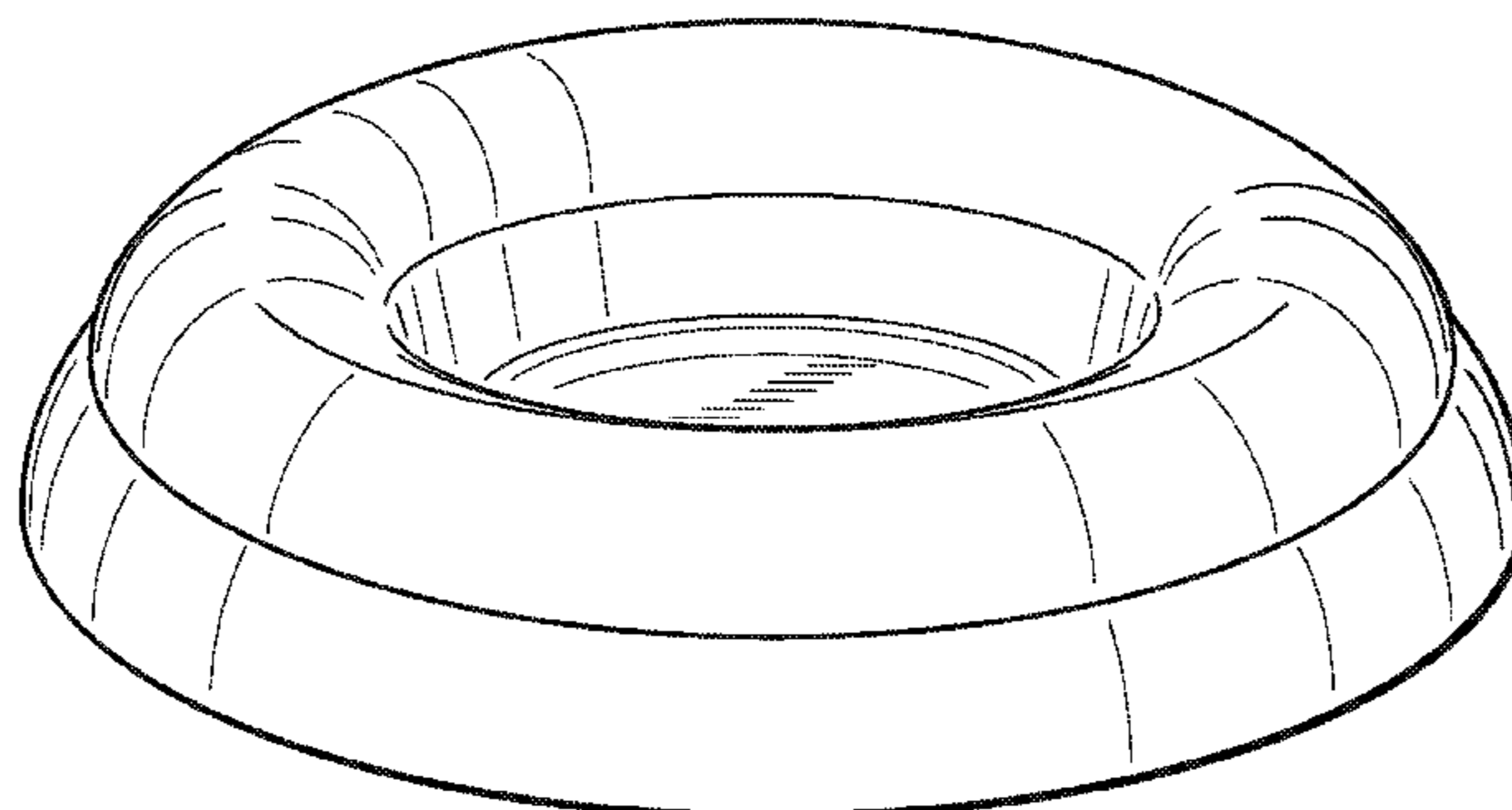
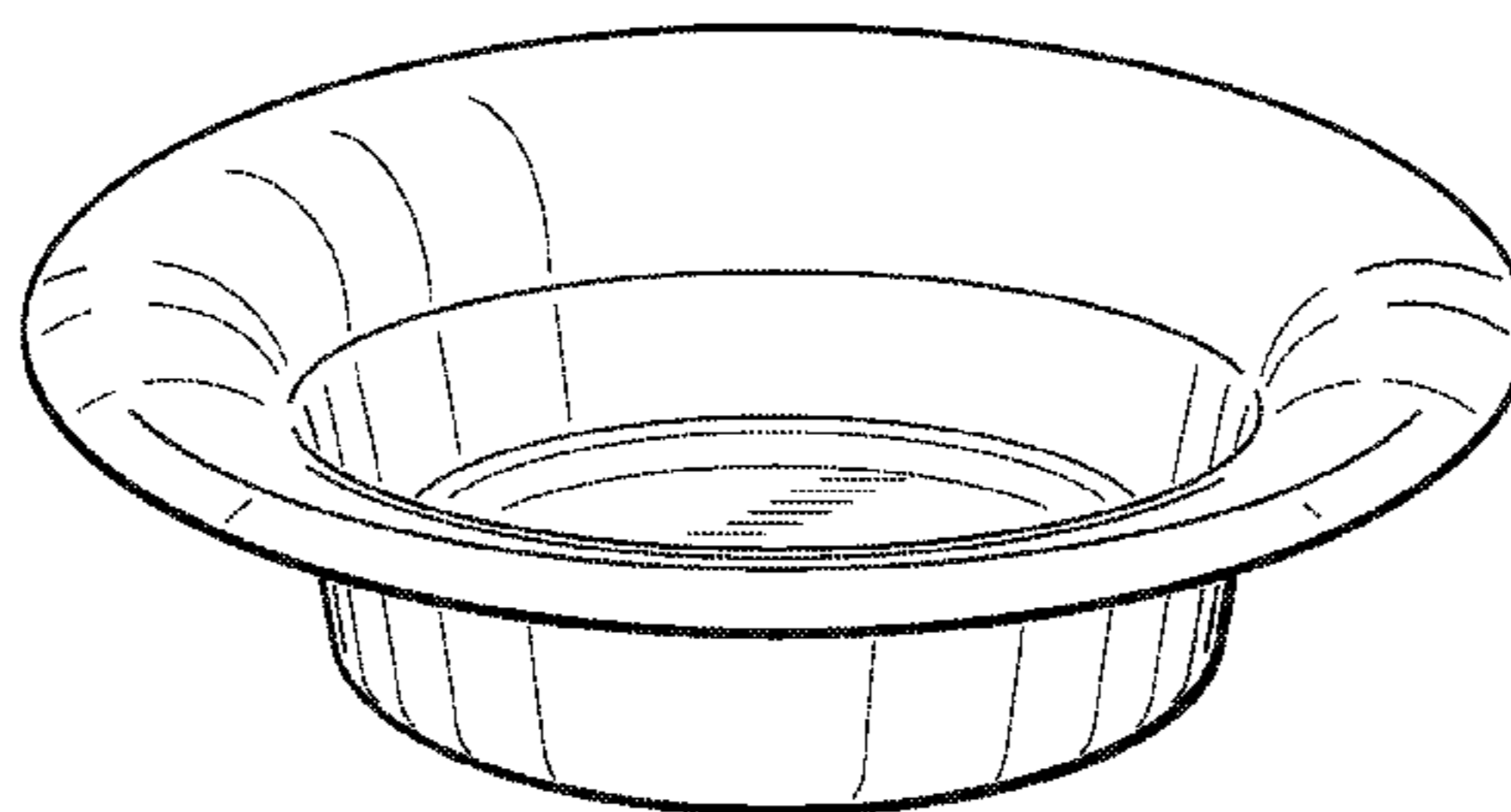
FIG. 5 is a bottom plan view thereof;

FIG. 6 is another top perspective view thereof showing the
base and bowl in an exploded condition; and,

FIG. 7 is a side elevation thereof.

The broken lines shown in FIGS. 2, 3, 5 and 7 represent
environmental structure and form no part of the claimed
design.

1 Claim, 5 Drawing Sheets



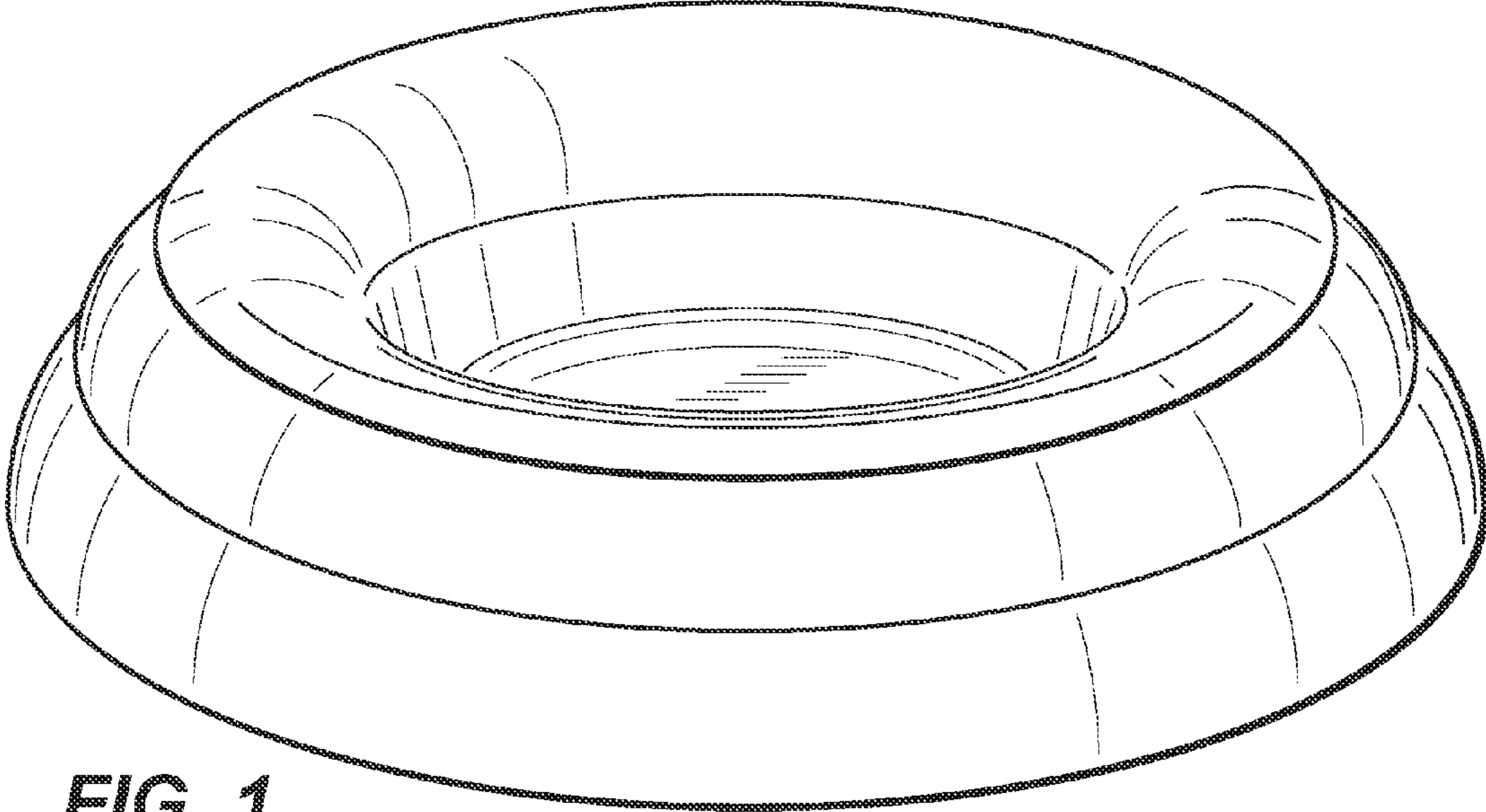


FIG. 1

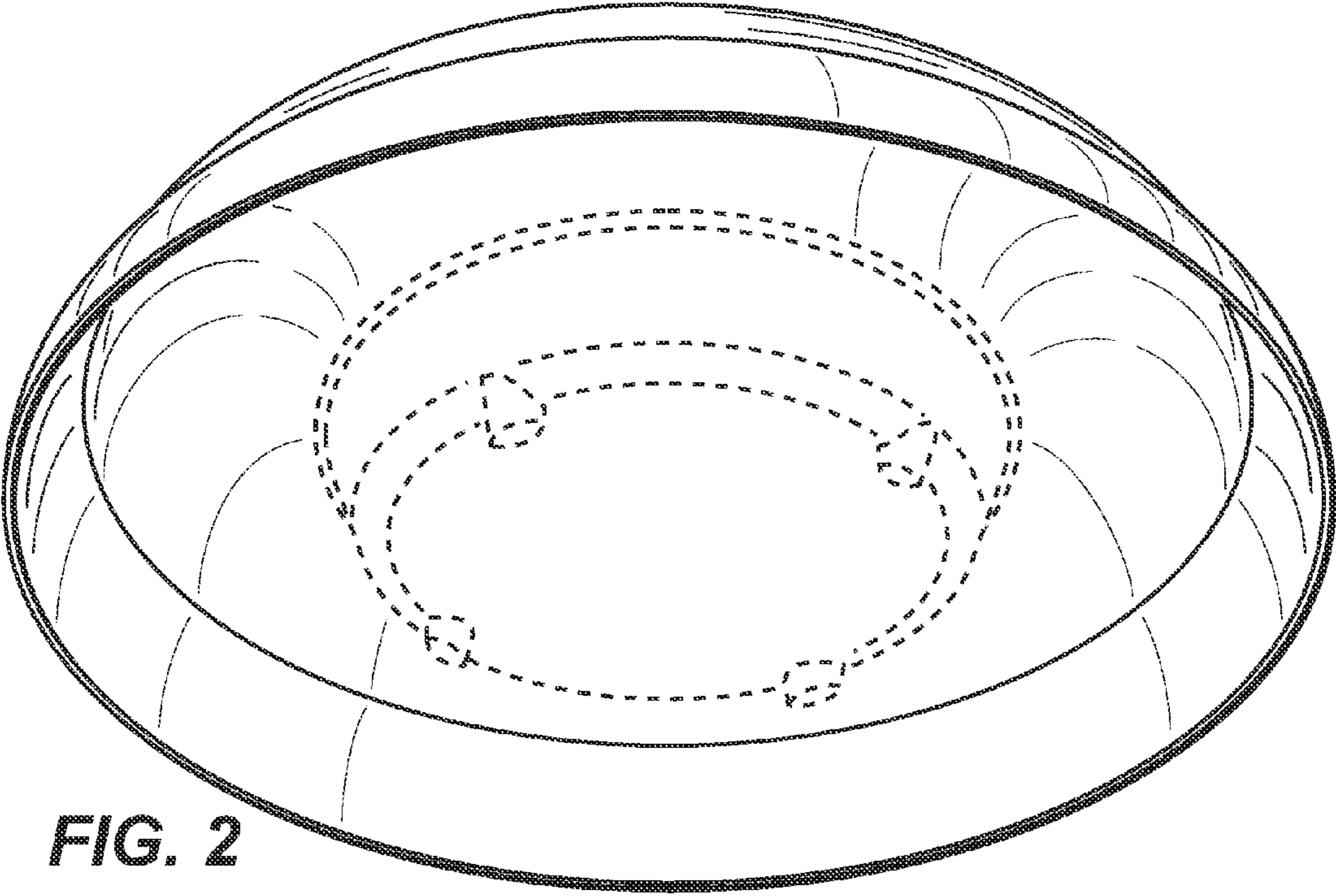


FIG. 2

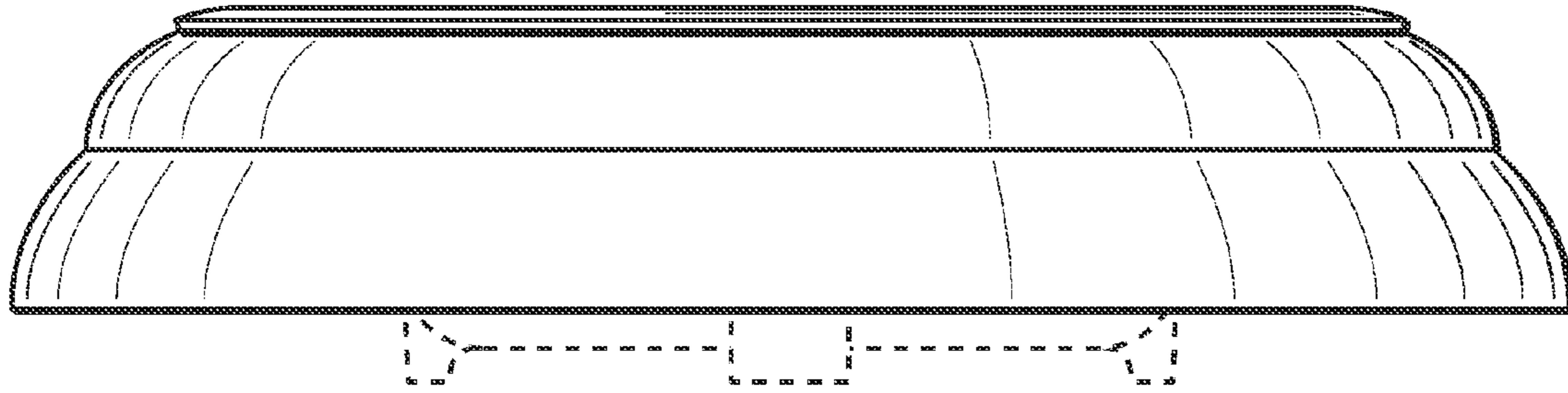


FIG. 3

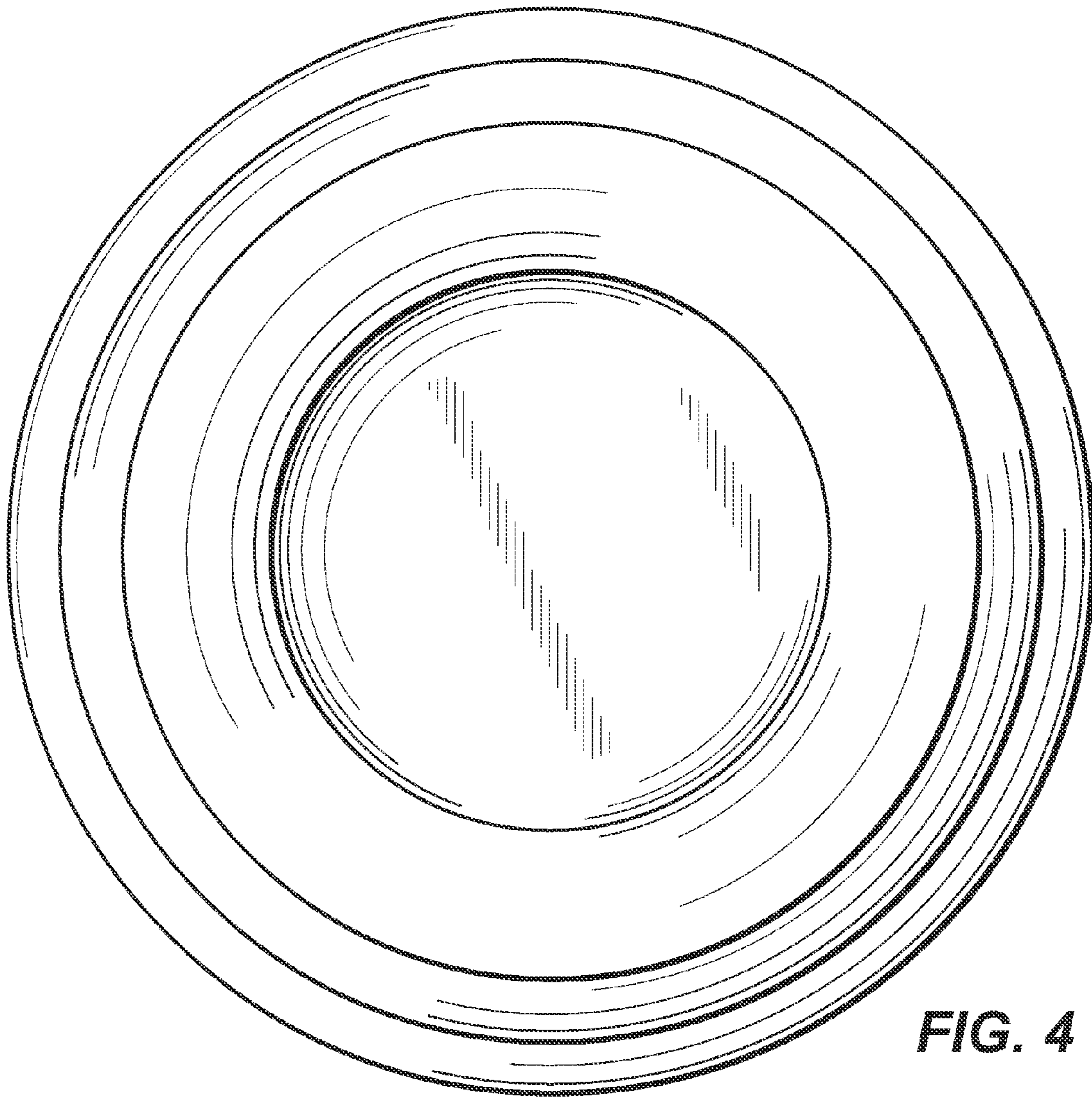


FIG. 4

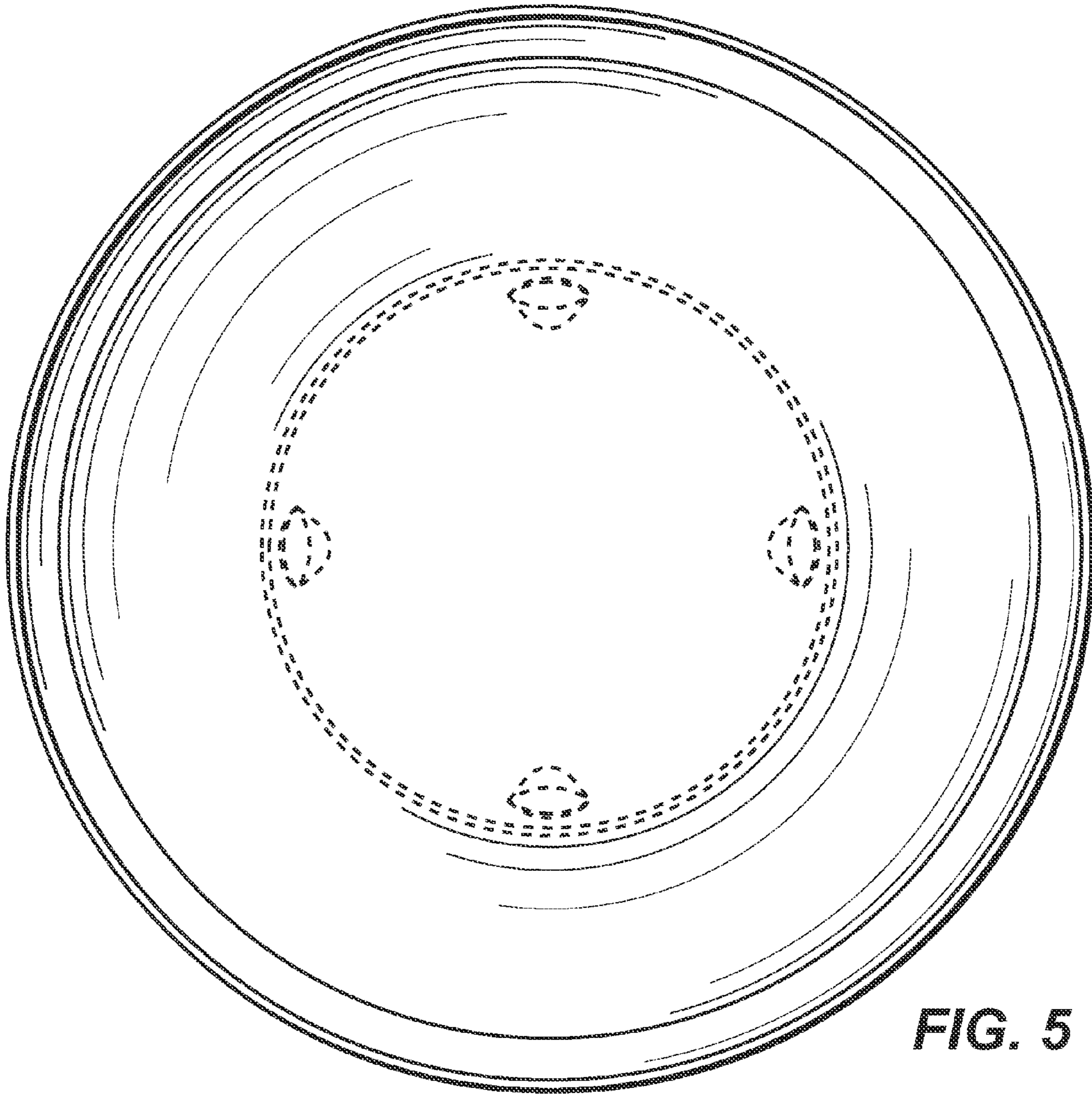


FIG. 5

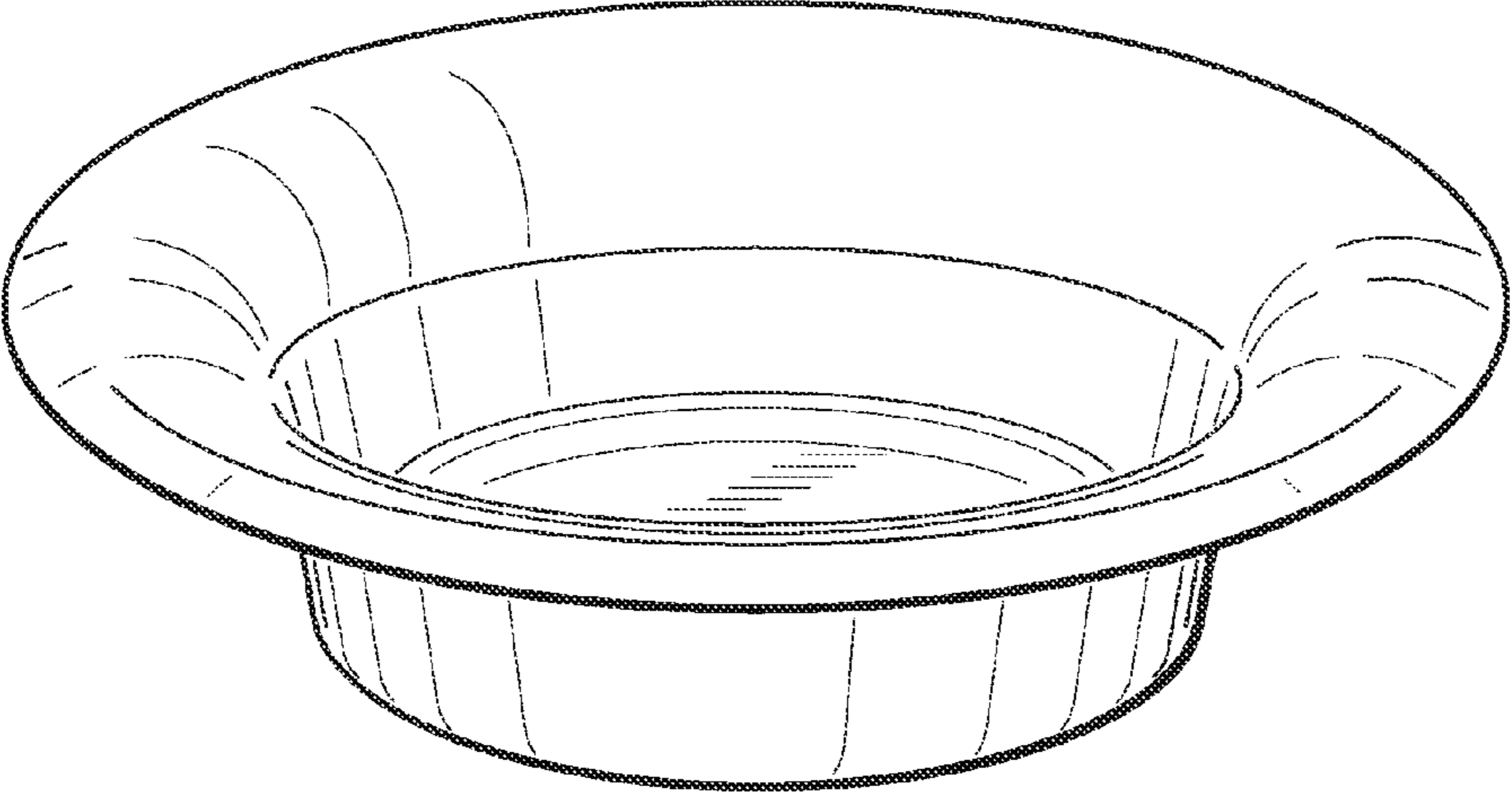


FIG. 6

