



US00D593360S

(12) **United States Design Patent**
Lee

(10) **Patent No.:** **US D593,360 S**
(45) **Date of Patent:** **** Jun. 2, 2009**

(54) **HAND MIXER**

(75) Inventor: **Steve S. Lee**, Saint Joseph, MI (US)

(73) Assignee: **Whirlpool Corporation**, Benton Harbor, MI (US)

(**) Term: **14 Years**

(21) Appl. No.: **29/329,625**

(22) Filed: **Dec. 18, 2008**

(51) **LOC (9) Cl.** **31-00**

(52) **U.S. Cl.** **D7/379**

(58) **Field of Classification Search** D7/306-313,
D7/317-318, 326, 356, 376-386, 392, 397-399,
D7/412-415, 665; D8/61-70; 99/348, 509-511;
241/30-37.5, 101.01-101.2, 166-169.1,
241/274-278.2, 285.1-285.3, 291, 292.1;
366/64-67, 98, 192, 197-211, 205-206,
366/241-254, 279-292, 341-343

See application file for complete search history.

(56) **References Cited**

U.S. PATENT DOCUMENTS

| | | | |
|--------------|---------|------------------------|--------|
| D178,266 S * | 7/1956 | Swann | D7/379 |
| D224,132 S * | 7/1972 | Yamamoto | D7/379 |
| D329,165 S * | 9/1992 | Doggett | D7/376 |
| D329,166 S * | 9/1992 | Doggett | D7/376 |
| D345,888 S * | 4/1994 | Joss et al. | D7/379 |
| D362,587 S * | 9/1995 | Littmann | D7/386 |
| D362,783 S * | 10/1995 | Cruz | D7/379 |
| D364,532 S * | 11/1995 | Seiffert | D7/379 |
| D367,400 S * | 2/1996 | Viemeister et al. | D7/379 |
| D387,244 S * | 12/1997 | Ivy et al. | D7/379 |
| D400,049 S * | 10/1998 | Wanat et al. | D7/379 |
| D419,366 S * | 1/2000 | Tse | D7/379 |
| D486,711 S * | 2/2004 | Tam et al. | D8/64 |

* cited by examiner

Primary Examiner—Caron Veynar

Assistant Examiner—Ricky Pham

(74) *Attorney, Agent, or Firm*—Tara Hartman; Michael D. Lafrenz

(57) **CLAIM**

I claim the ornamental design for a hand mixer, as shown and described.

DESCRIPTION

FIG. 1 is a front perspective view of one embodiment of the design of the hand mixer;

FIG. 2 is a first side elevational view of the hand mixer of FIG. 1;

FIG. 3 is a second side elevational view of the hand mixer of FIG. 1;

FIG. 4 is a front elevational view of the hand mixer of FIG. 1;

FIG. 5 is a rear elevational view of the hand mixer of FIG. 1;

FIG. 6 is a top plan view of the hand mixer of FIG. 1;

FIG. 7 is a bottom plan view of the hand mixer of FIG. 1;

FIG. 8 is a front perspective view of another embodiment of the design of the hand mixer;

FIG. 9 is a first side elevational view of the hand mixer of FIG. 8;

FIG. 10 is a second side elevational view of the hand mixer of FIG. 8;

FIG. 11 is a front elevational view of the hand mixer of FIG. 8;

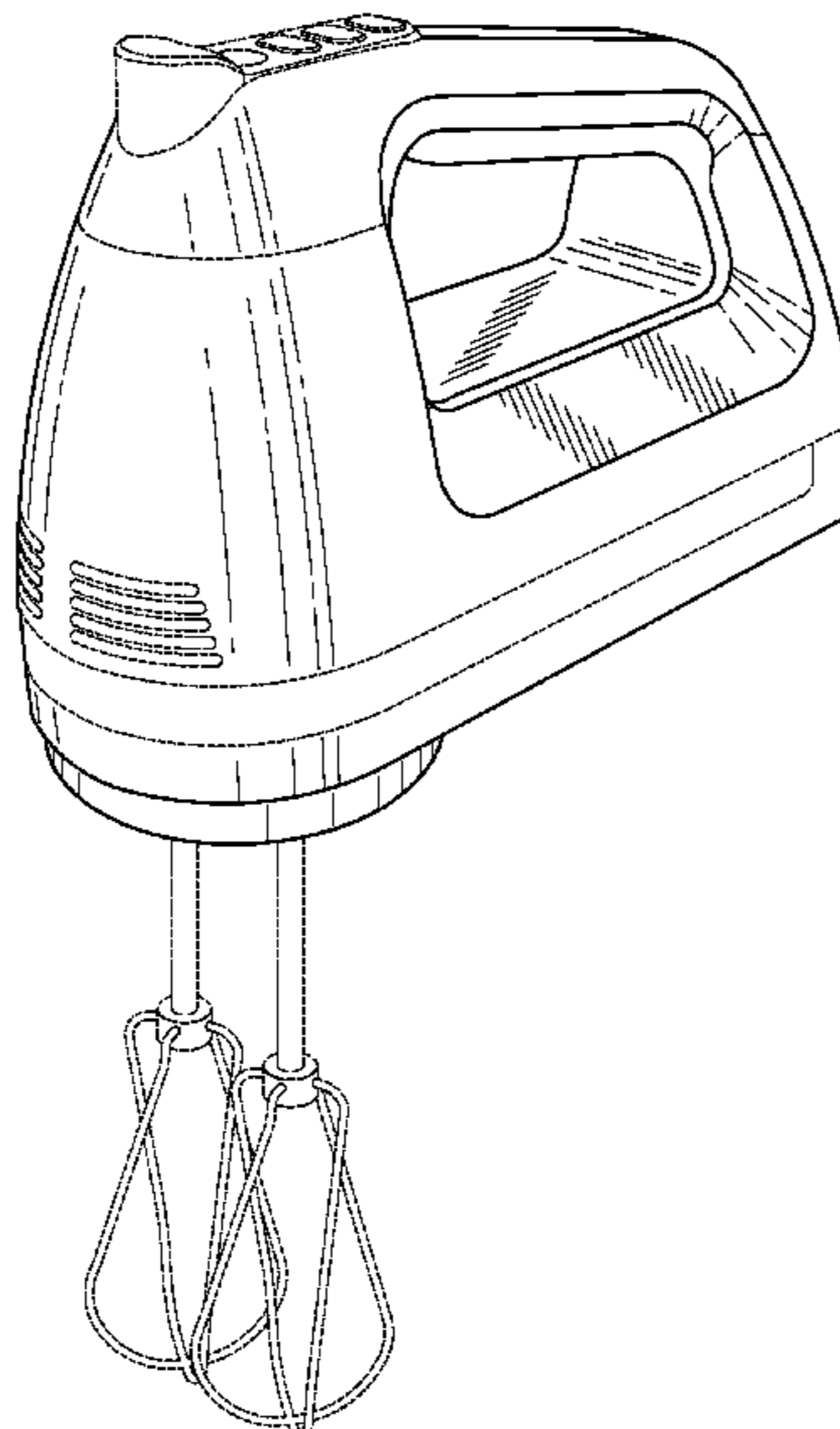
FIG. 12 is a rear elevational view of the hand mixer of FIG. 8;

FIG. 13 is a top plan view of the hand mixer of FIG. 8; and,

FIG. 14 is a bottom plan view of the hand mixer of FIG. 8.

The portion shown in broken lines is for illustrative purposes only and forms no part of the claimed design.

1 Claim, 14 Drawing Sheets



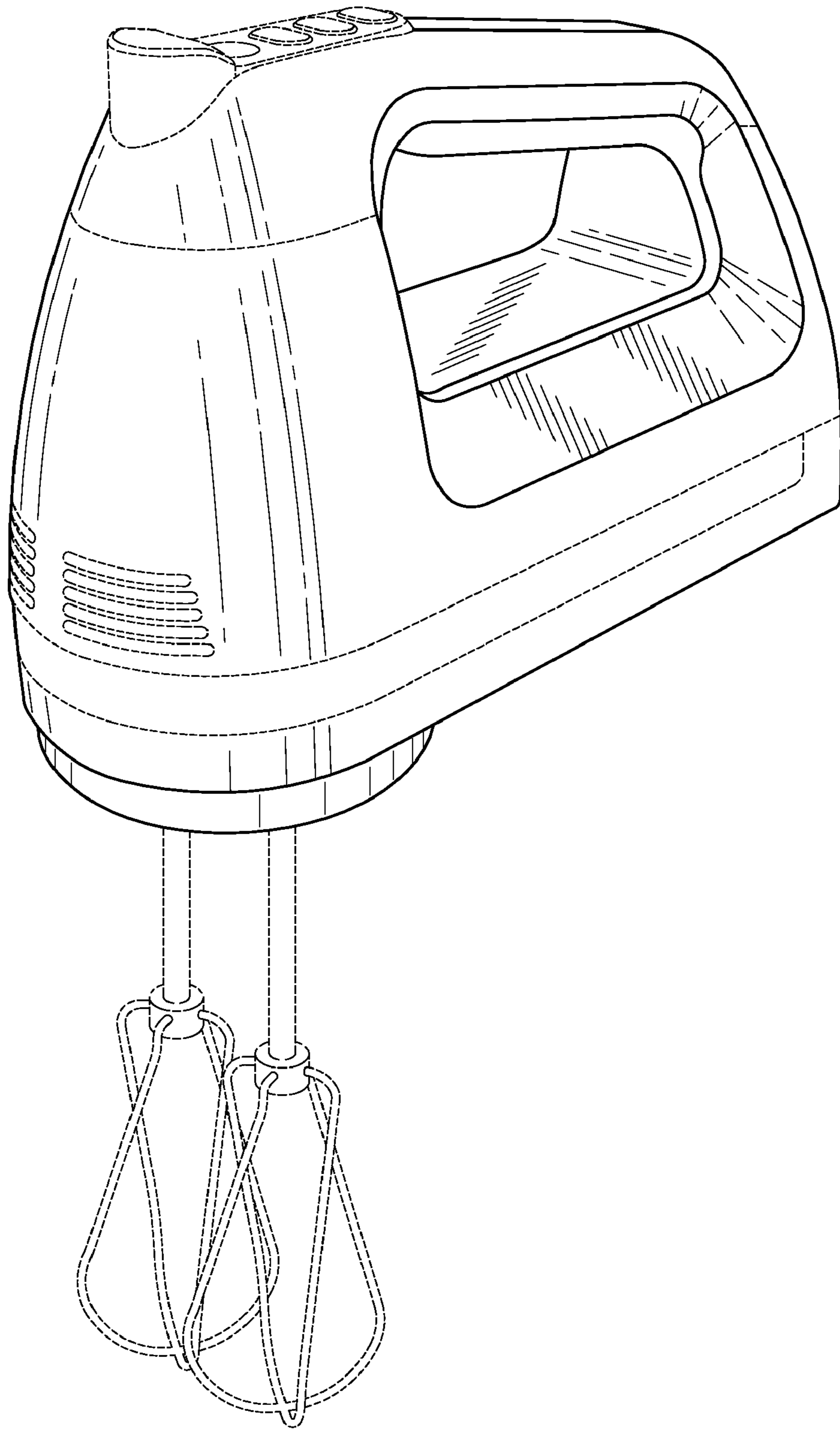


Fig. 1

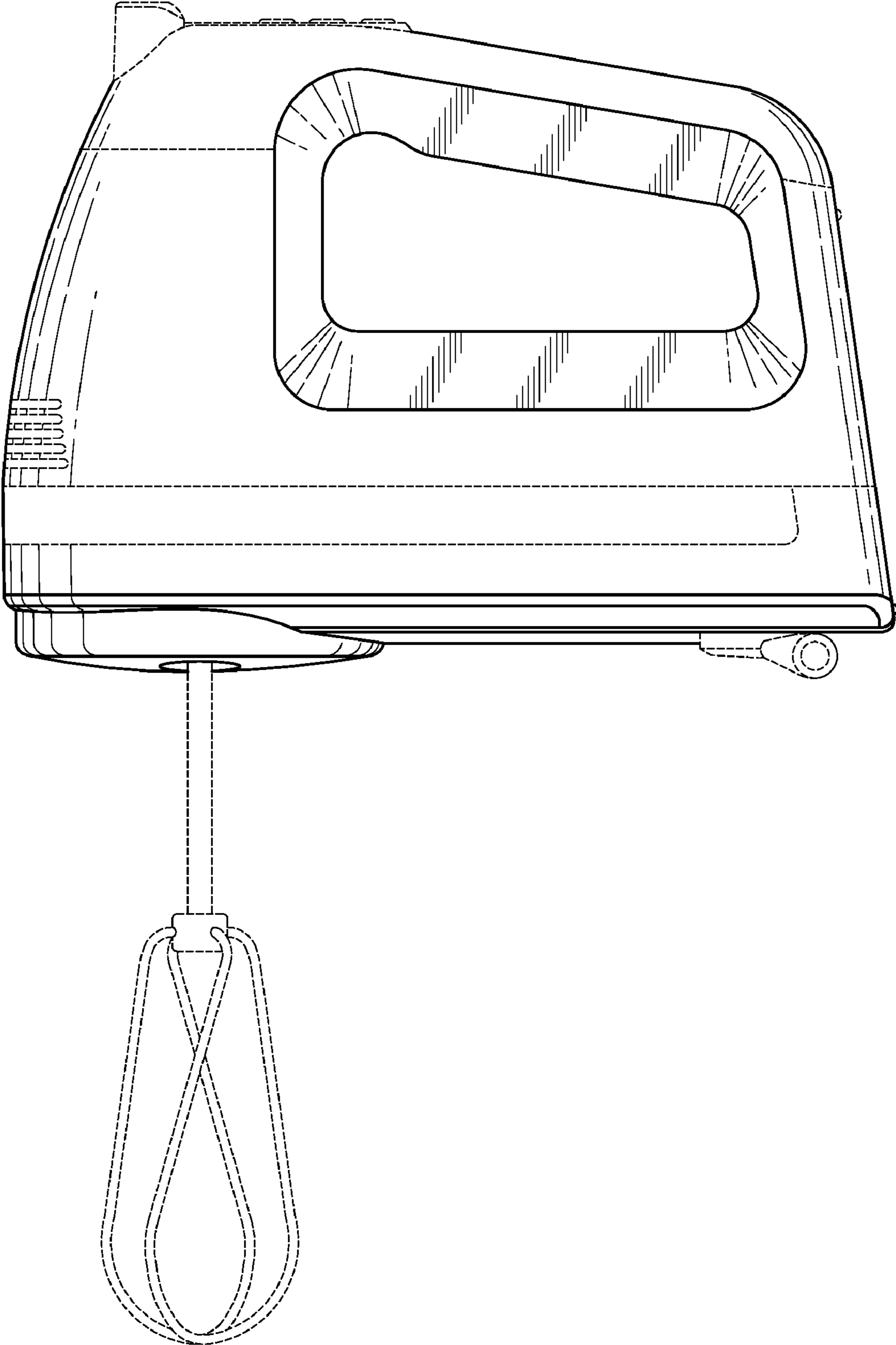


Fig. 2

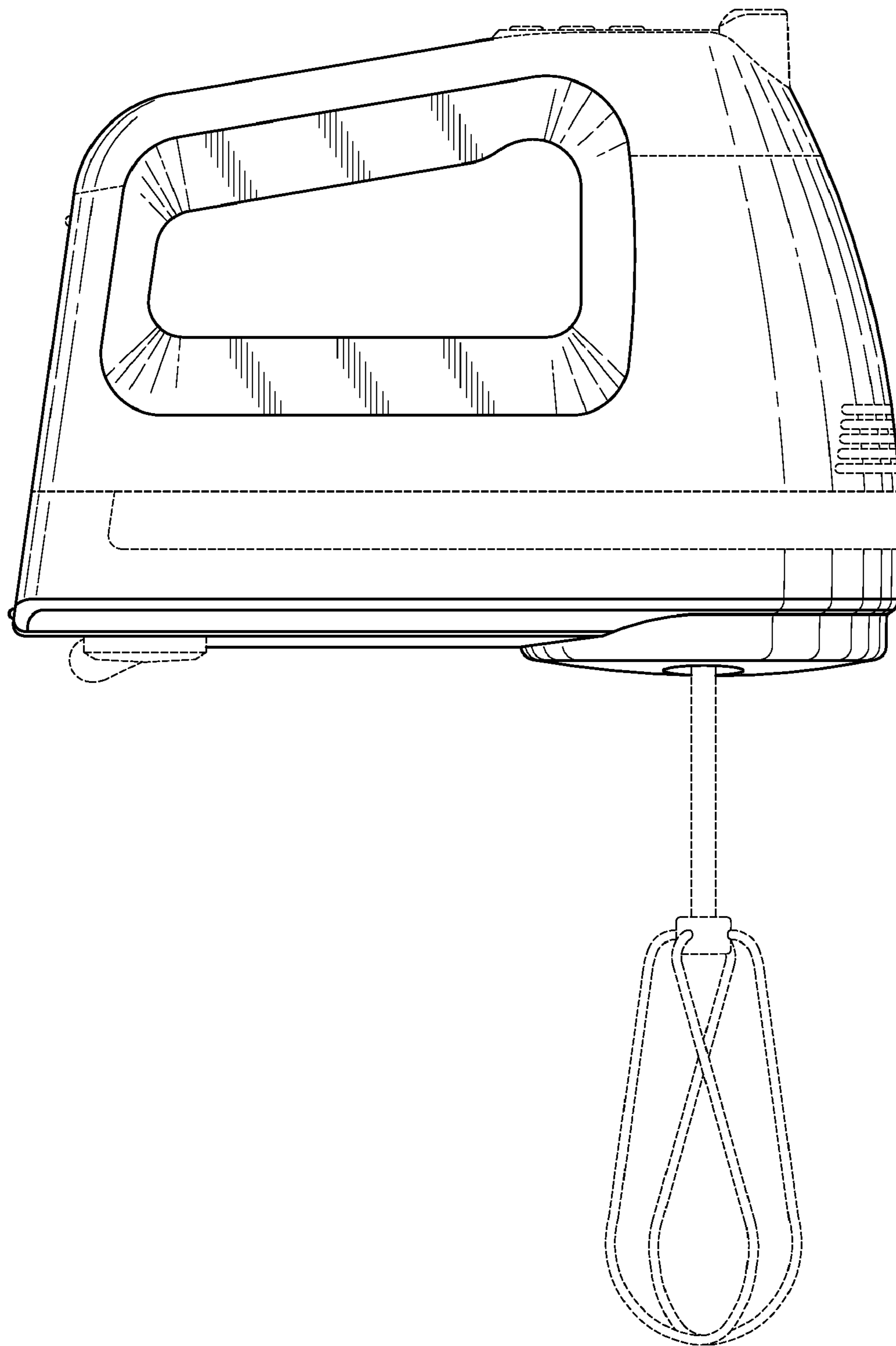


Fig. 3

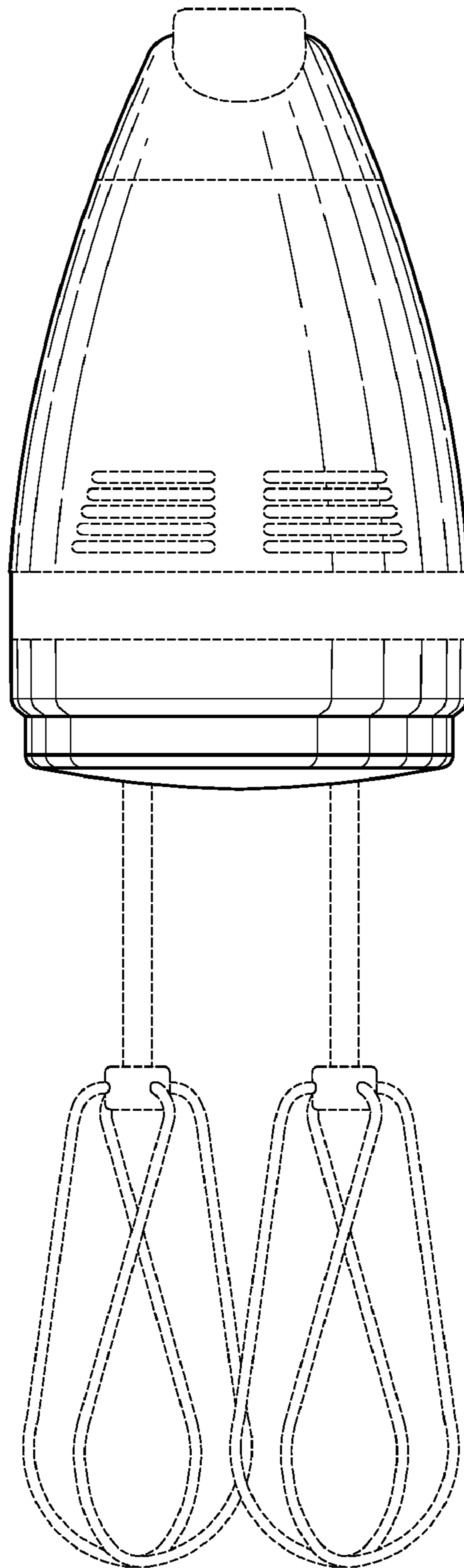


Fig. 4

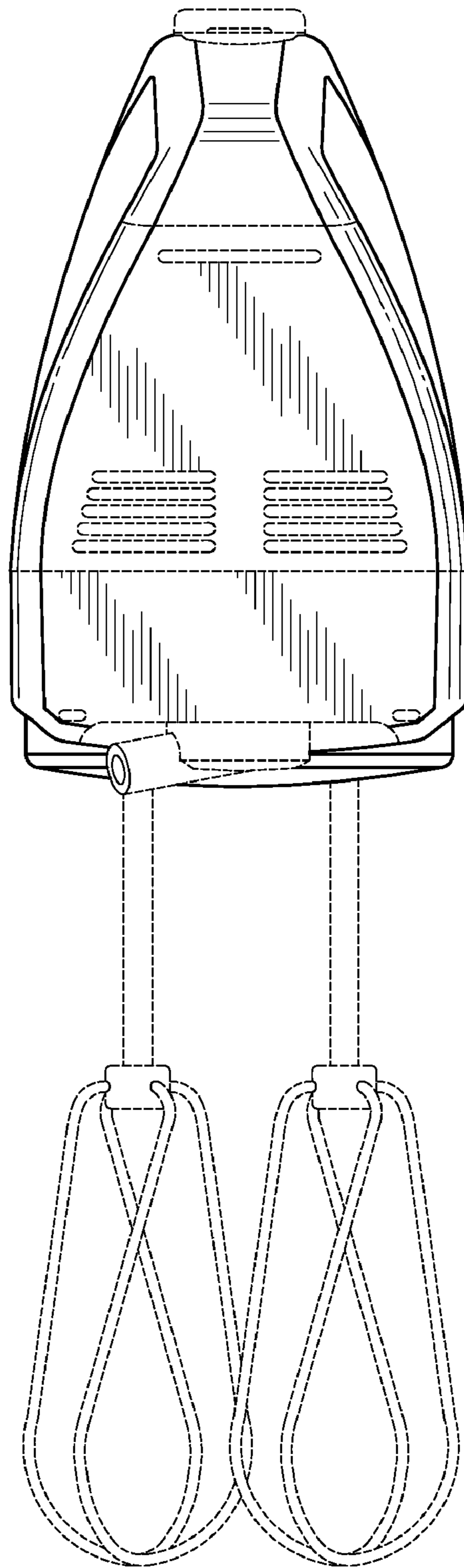


Fig. 5

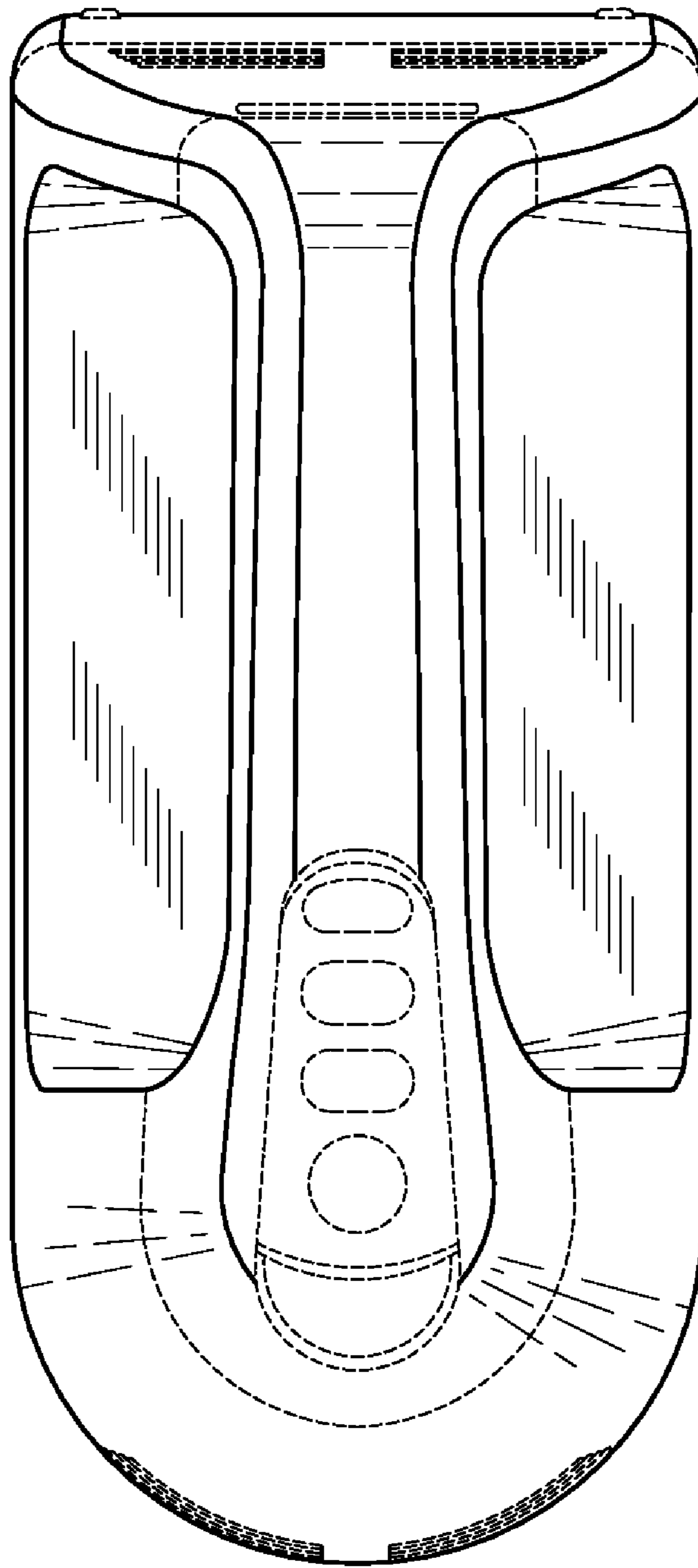


Fig. 6

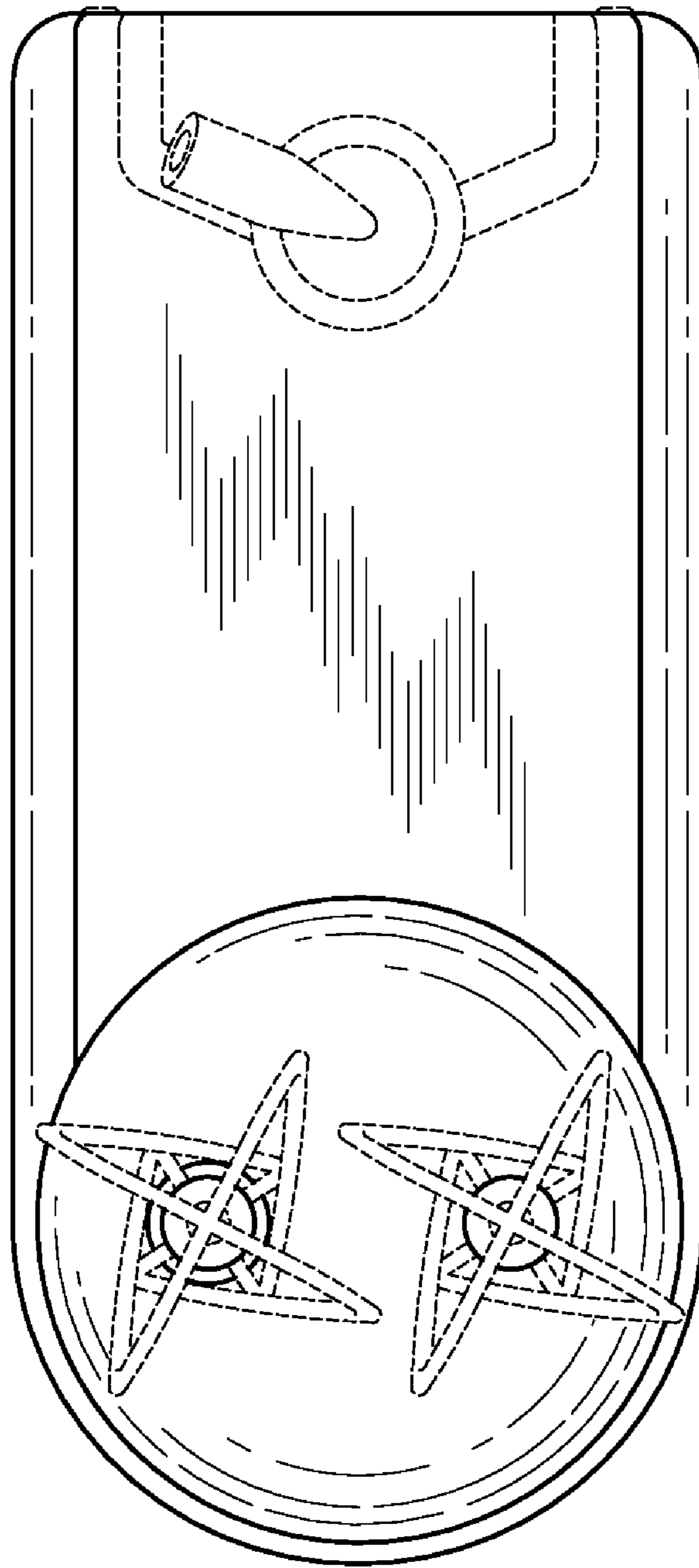


Fig. 7

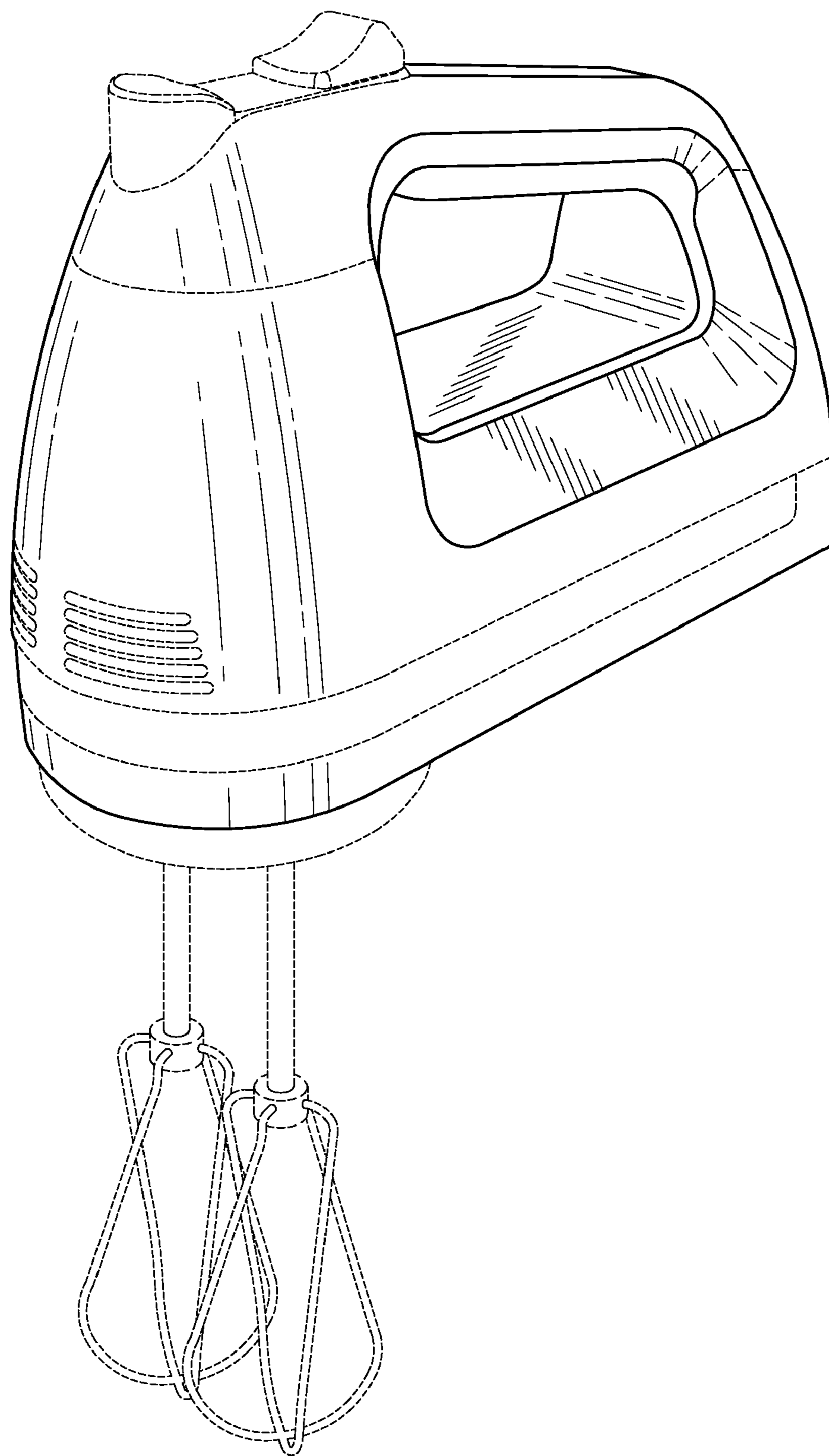


Fig. 8

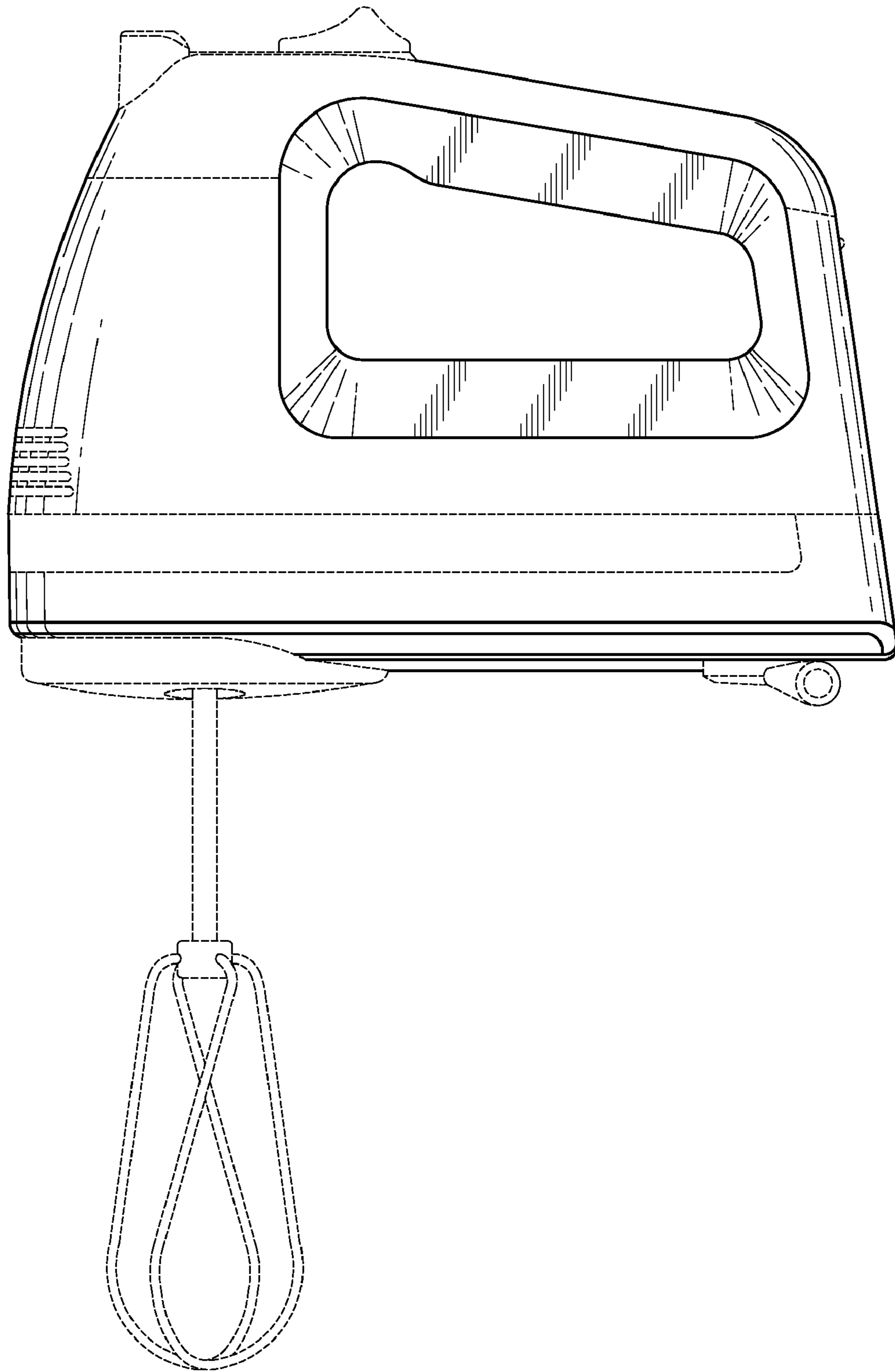


Fig. 9

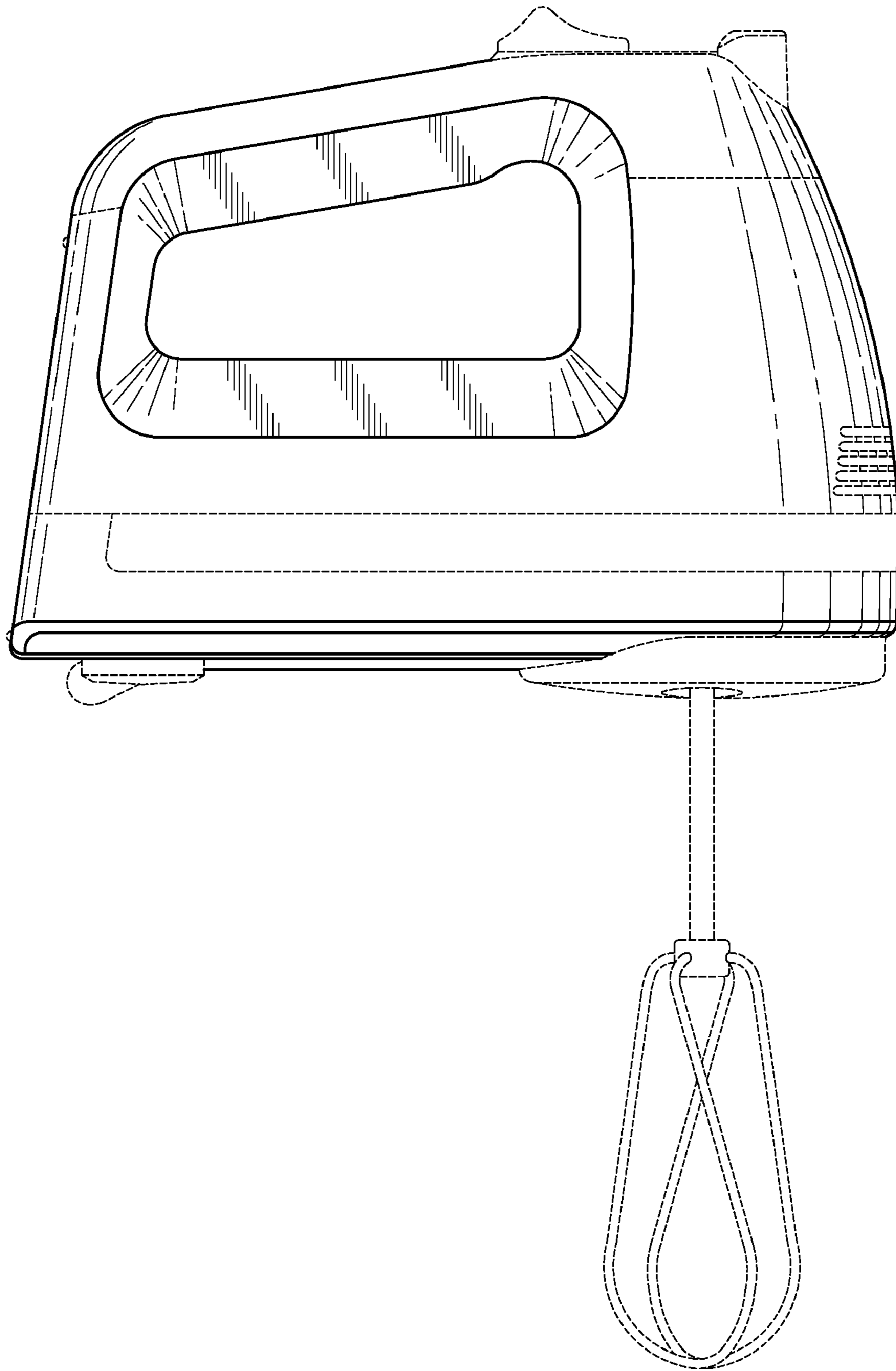


Fig. 10

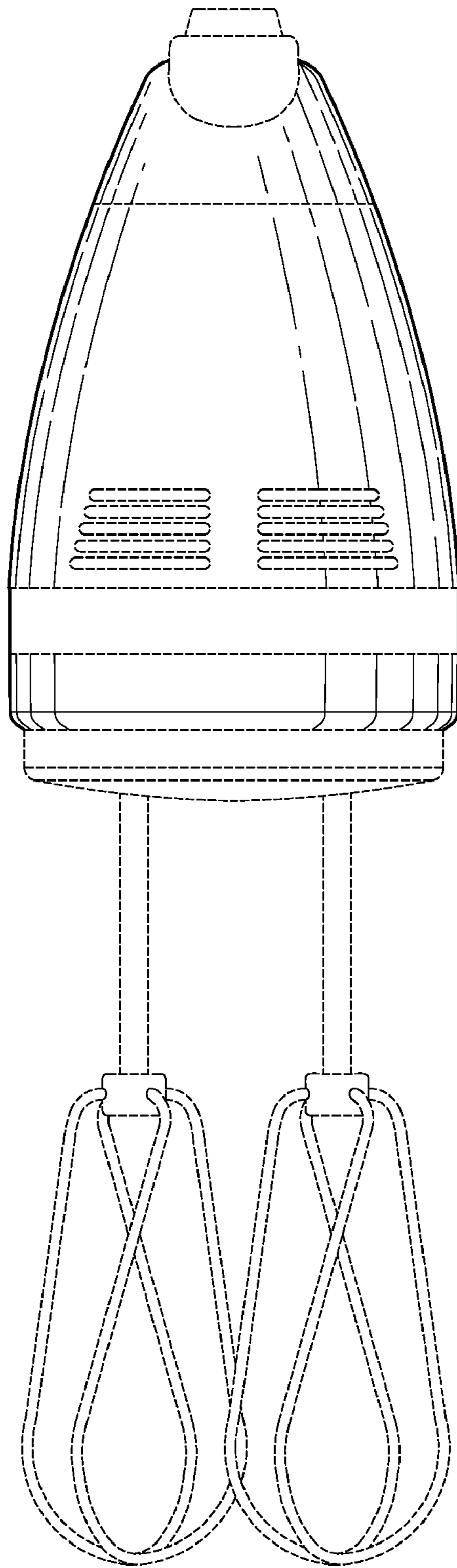


Fig. 11

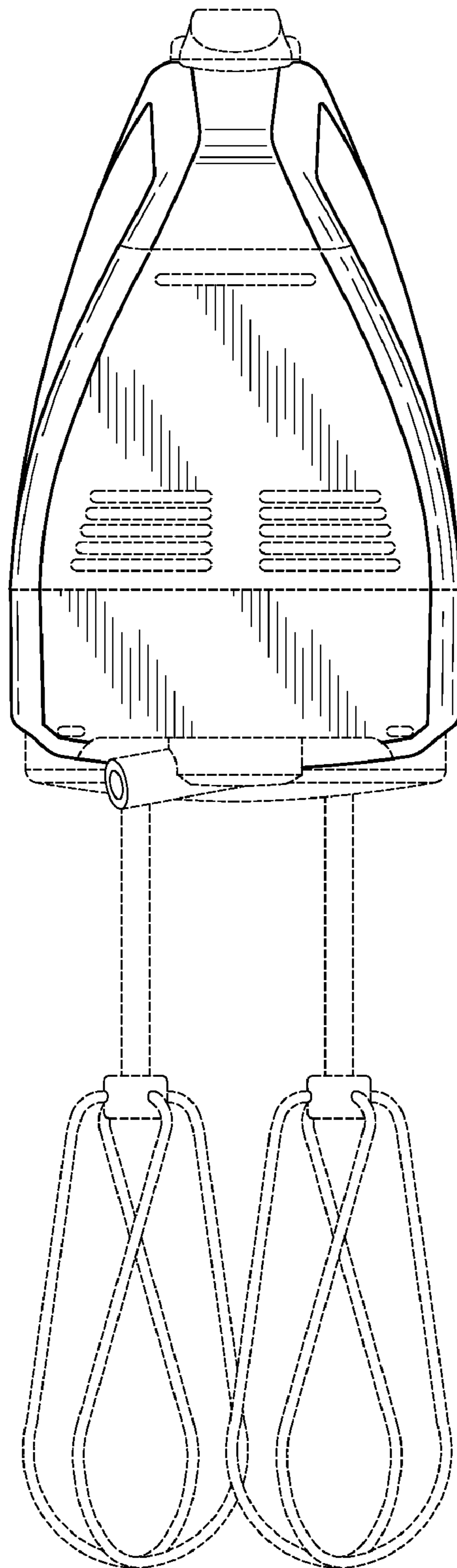


Fig. 12

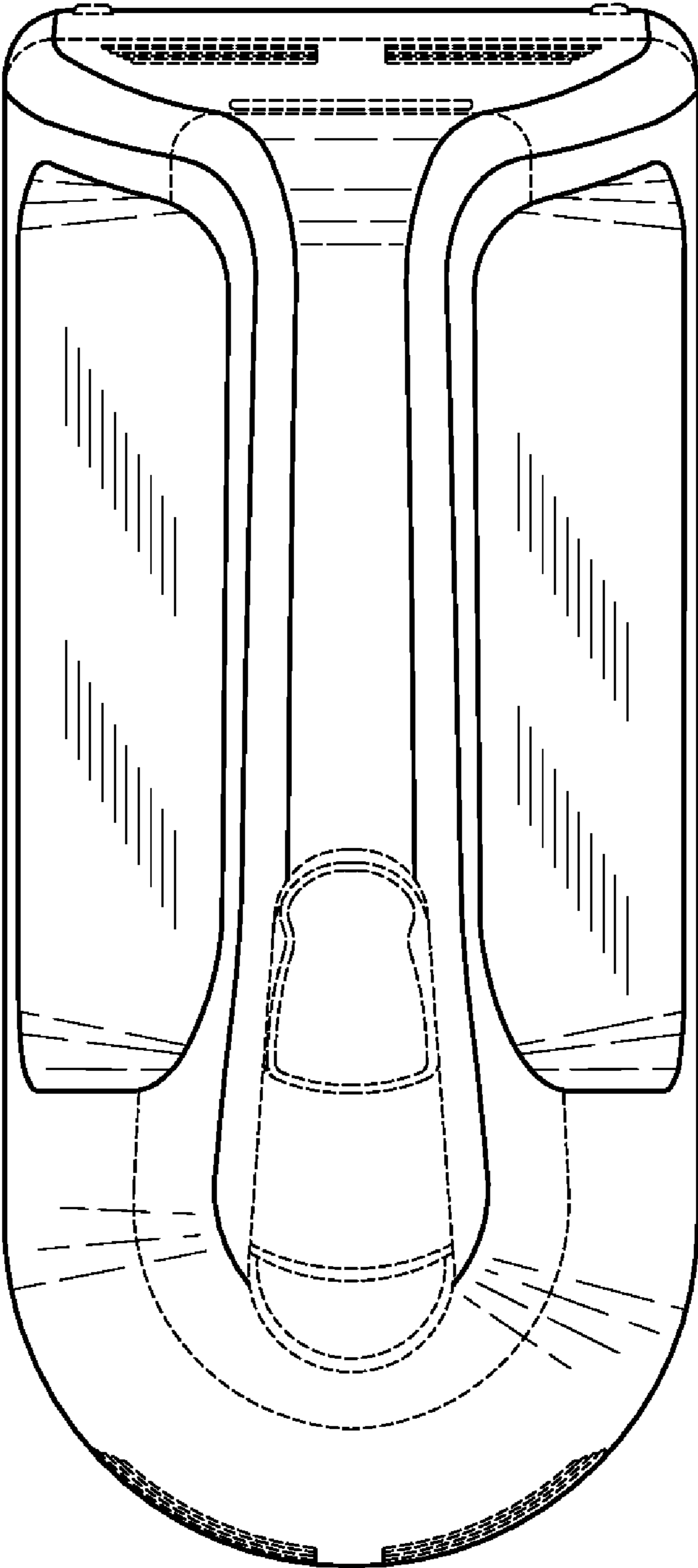


Fig. 13

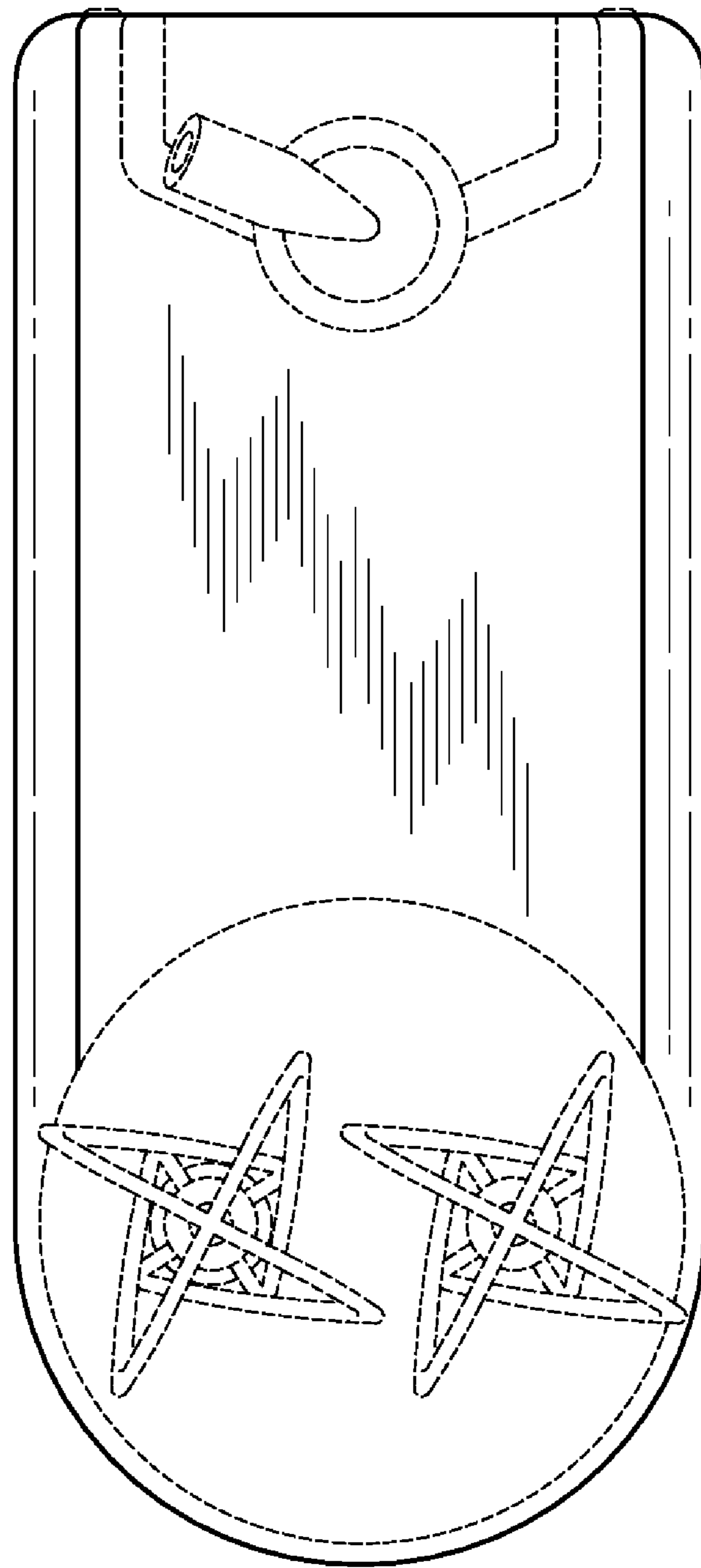


Fig. 14