



US00D593359S

(12) **United States Design Patent**  
**Chang Chien**

(10) **Patent No.:** **US D593,359 S**  
(45) **Date of Patent:** **\*\* Jun. 2, 2009**

(54) **FRUIT AND VEGETABLE PROCESSOR**

2005/0207270 A1\* 9/2005 Beesley ..... 366/205

(76) Inventor: **Sung-Shan Chang Chien**, No. 8-1, Mei Shan Rd., Niao Sung Hsiang, Kaohsiung Hsien (TW)

**FOREIGN PATENT DOCUMENTS**

EP 1683454 A1 \* 7/2006

\* cited by examiner

(\*\*) Term: **14 Years**

*Primary Examiner*—Caron Veynar

*Assistant Examiner*—Ricky Pham

(21) Appl. No.: **29/325,140**

(74) *Attorney, Agent, or Firm*—Leong C. Lei

(22) Filed: **Sep. 26, 2008**

(57) **CLAIM**

(51) **LOC (9) Cl.** ..... **31-00**

The ornamental design for a fruit and vegetable processor, as shown and described.

(52) **U.S. Cl.** ..... **D7/377; D7/376; D7/378; D7/384**

(58) **Field of Classification Search** ..... D7/306–313, D7/317–318, 326, 356, 376–386, 392, 397–399, D7/412–415, 607, 665; 99/348, 509–511; 210/100; 241/274–278.2, 285.1–285.3, 291, 241/292.1; 366/64–67, 98, 192, 197–211, 366/205–206, 241–254, 279–292, 341–343  
See application file for complete search history.

**DESCRIPTION**

FIG. 1 is a perspective view of a fruit and vegetable processor showing my new design;

FIG. 2 is a front side elevational view thereof;

FIG. 3 is rear side elevational view thereof;

FIG. 4 is a left elevational view thereof;

FIG. 5 is a right elevational view thereof

FIG. 6 is a top plan view thereof;

FIG. 7 is a bottom plan view thereof; and,

FIG. 8 is another perspective view thereof, with a capped flat cover engaged.

The dotted line showing of the capped flat cover is for illustrative purposes only and forms no part of the claimed design.

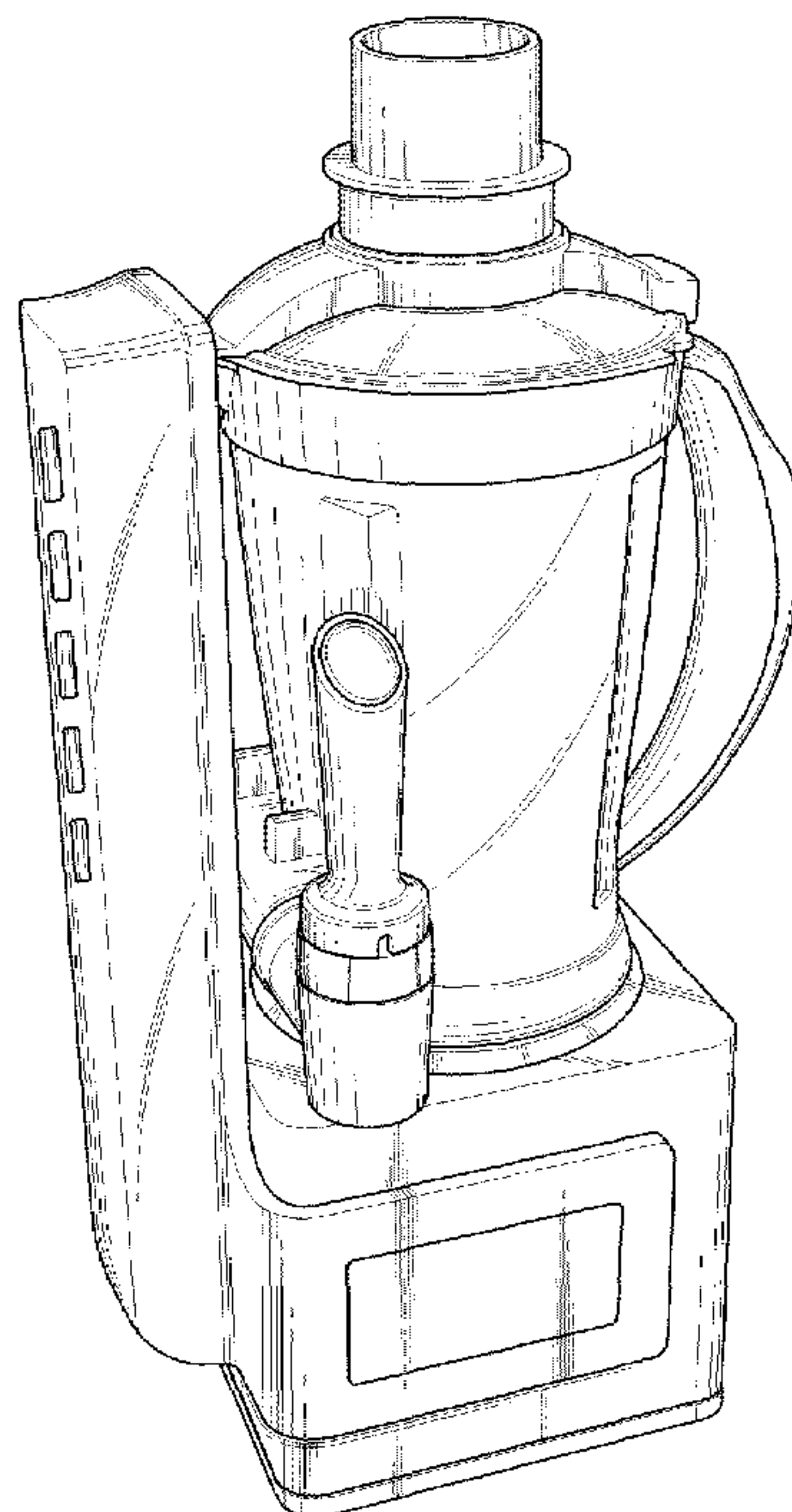
The portions shown in broken lines form no part of the claimed design.

(56) **References Cited**

**U.S. PATENT DOCUMENTS**

D445,635 S *	7/2001	Gort-Barten	.....	D7/378
D483,607 S *	12/2003	Chang Chien	.....	D7/384
D498,642 S *	11/2004	Huang	.....	D7/378
D503,869 S *	4/2005	Hei	.....	D7/378
D525,481 S *	7/2006	Kassenaar	.....	D7/378
D551,521 S *	9/2007	Chang Chien	.....	D7/665
D551,914 S *	10/2007	Chang Chien	.....	D7/665
D551,915 S *	10/2007	Chang Chien	.....	D7/665
D583,620 S *	12/2008	Katz et al.	.....	D7/378
2005/0199534 A1 *	9/2005	Daniels	.....	210/100

**1 Claim, 5 Drawing Sheets**



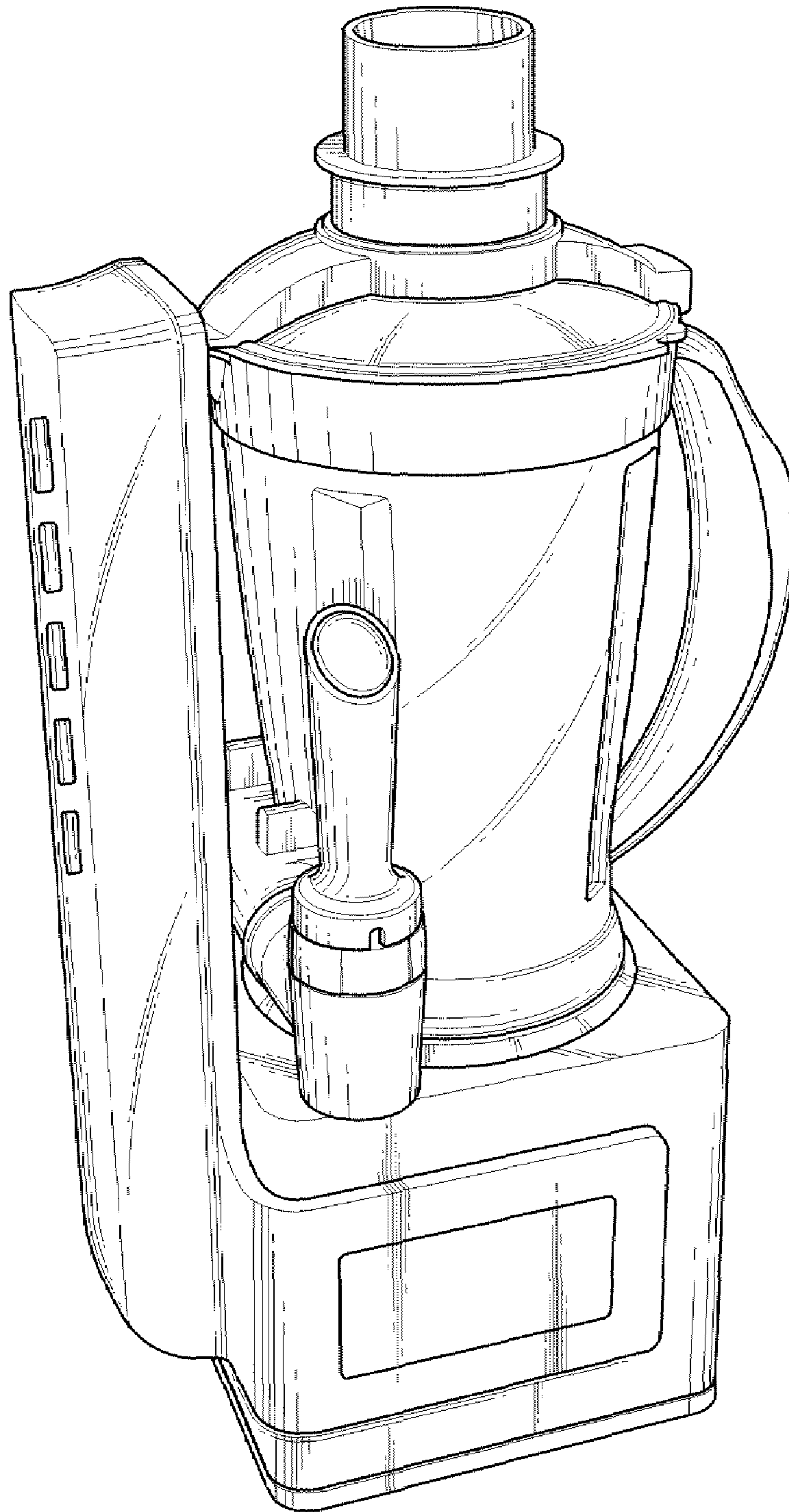


FIG. 1

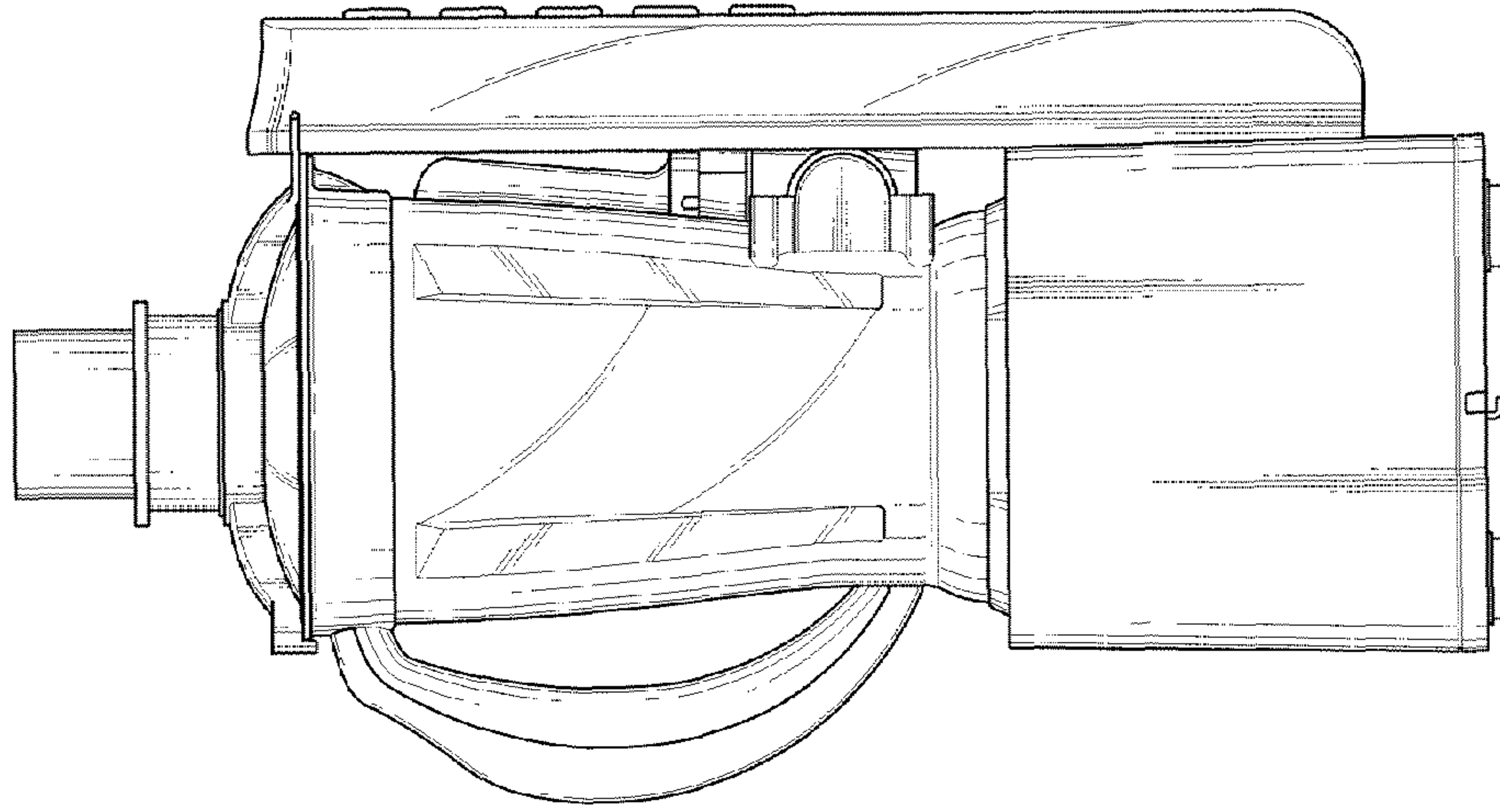


FIG.3

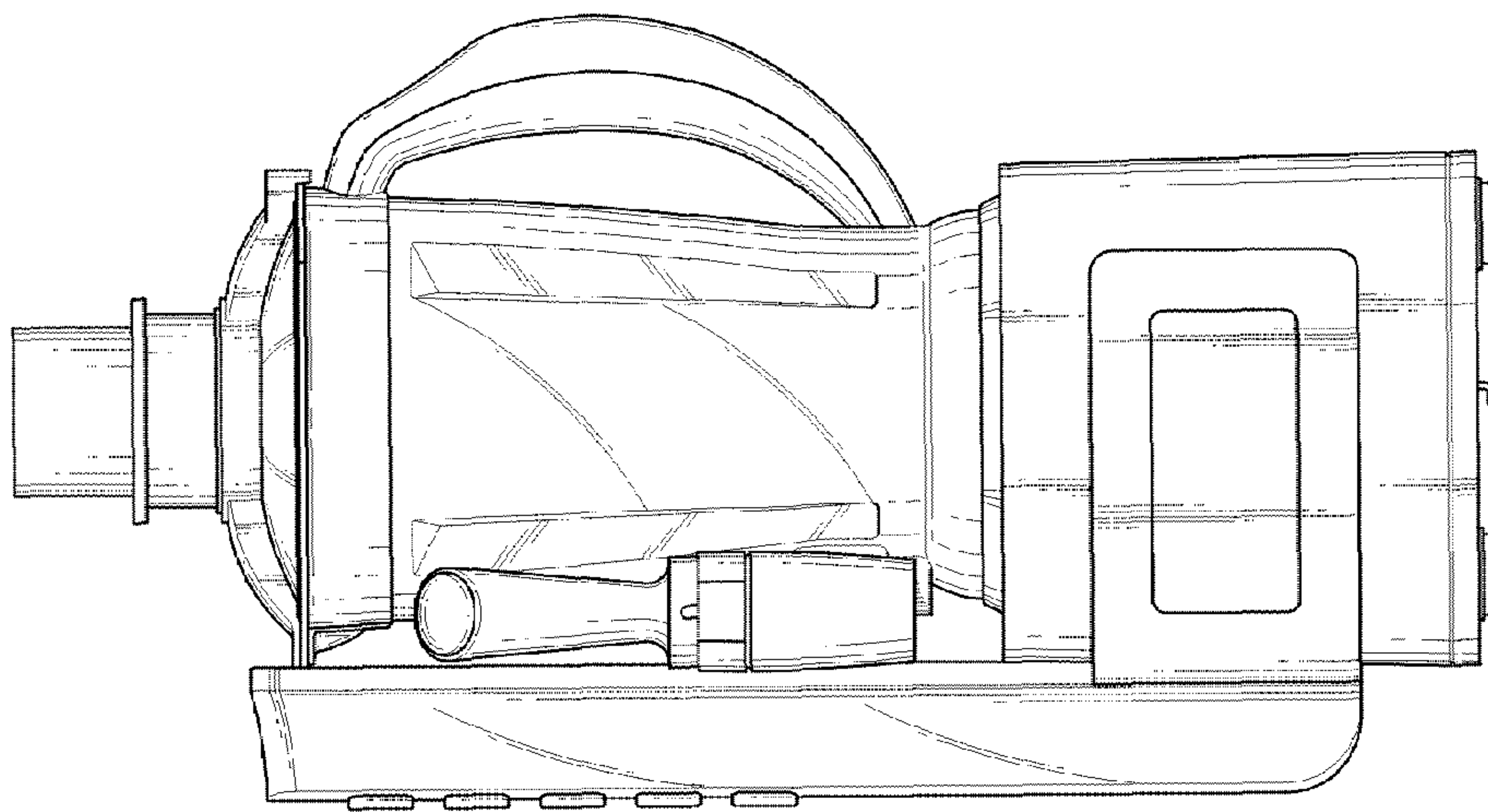


FIG.2



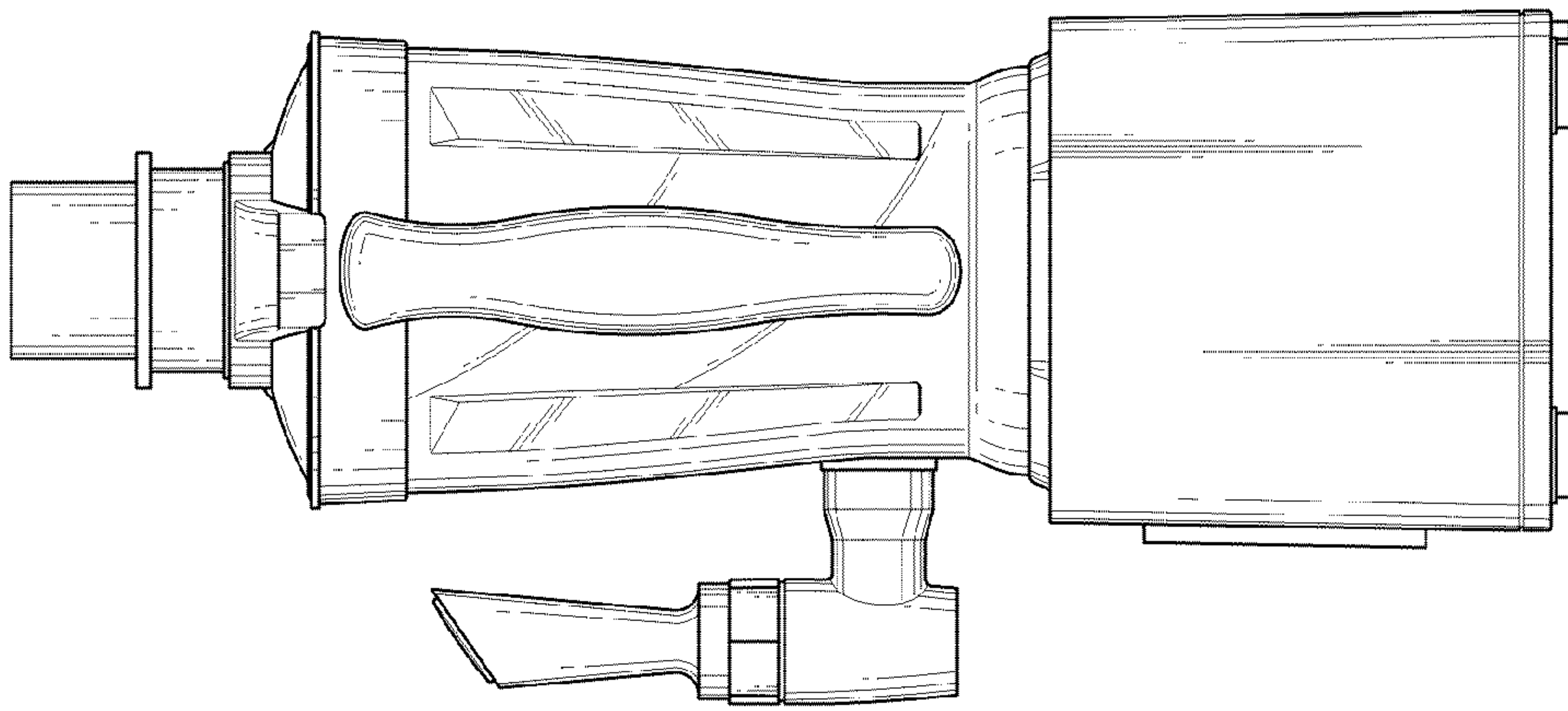


FIG.5

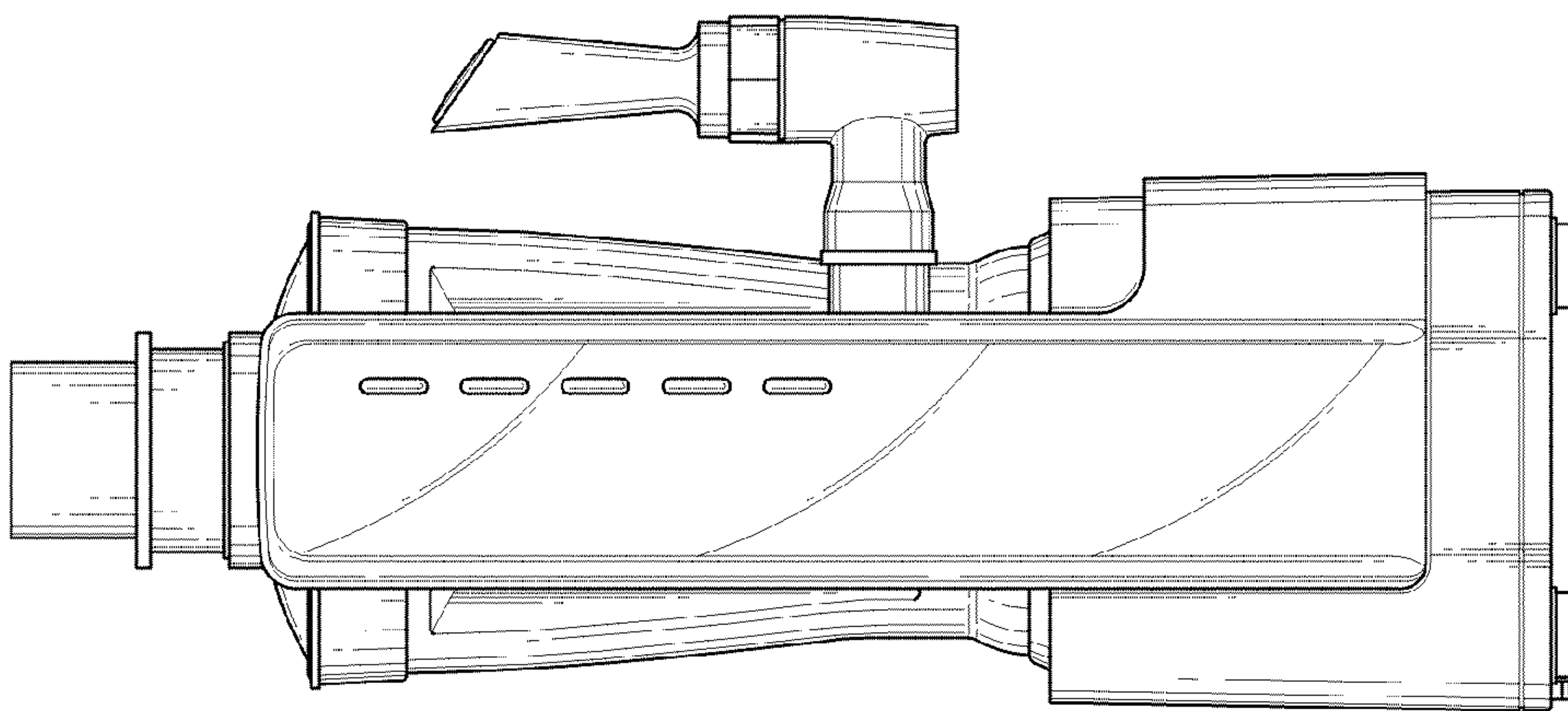


FIG.4

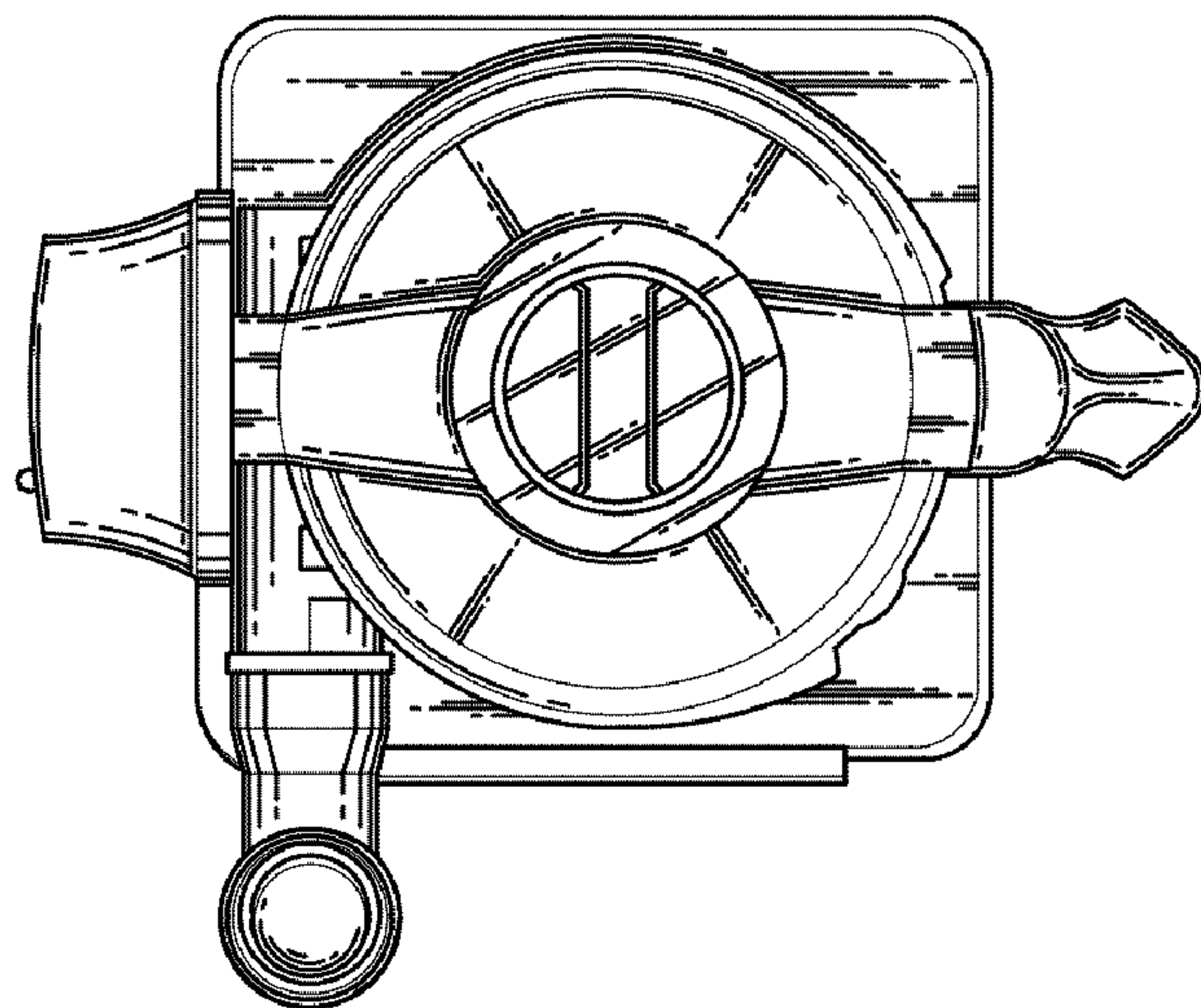


FIG. 6

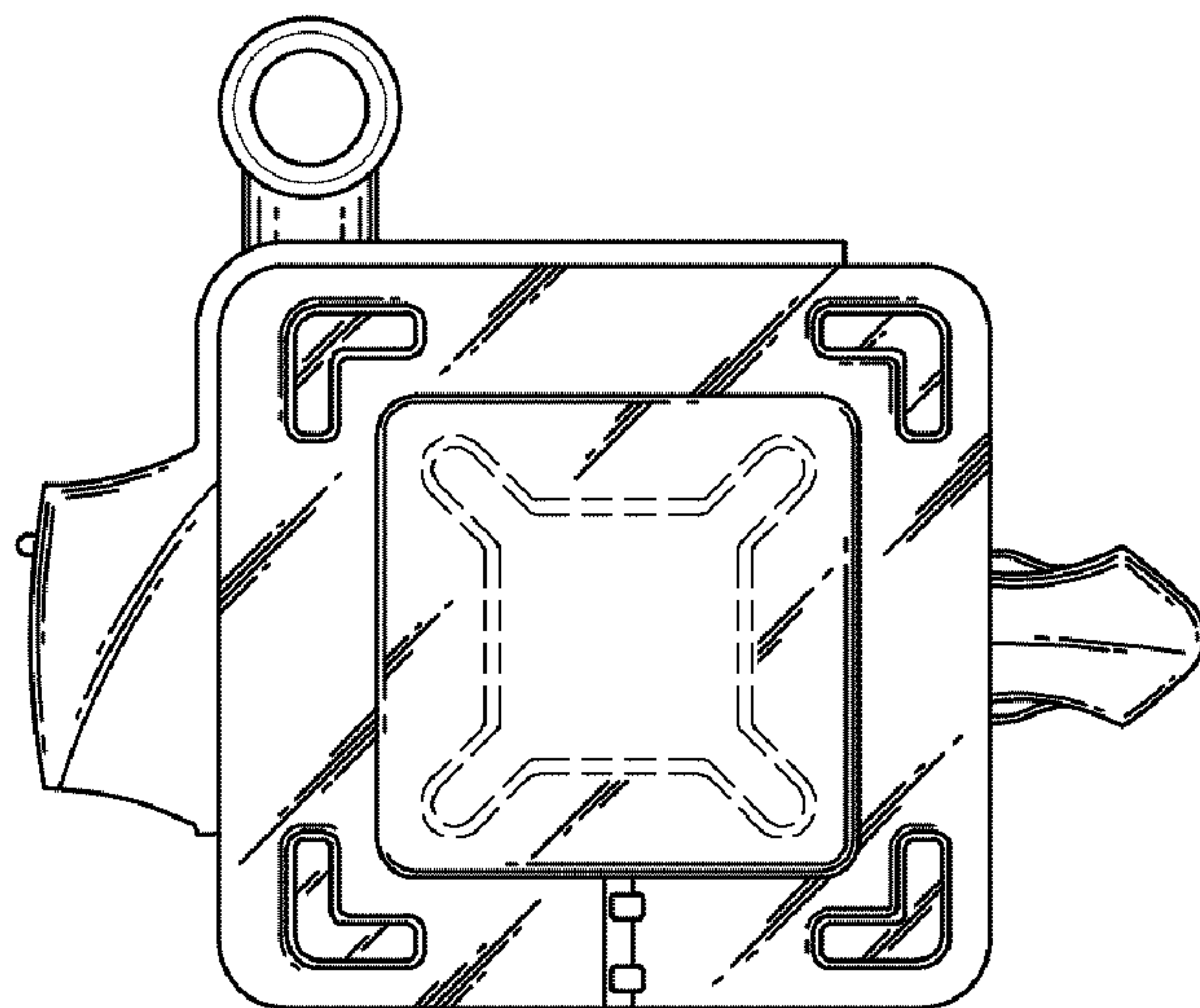


FIG. 7

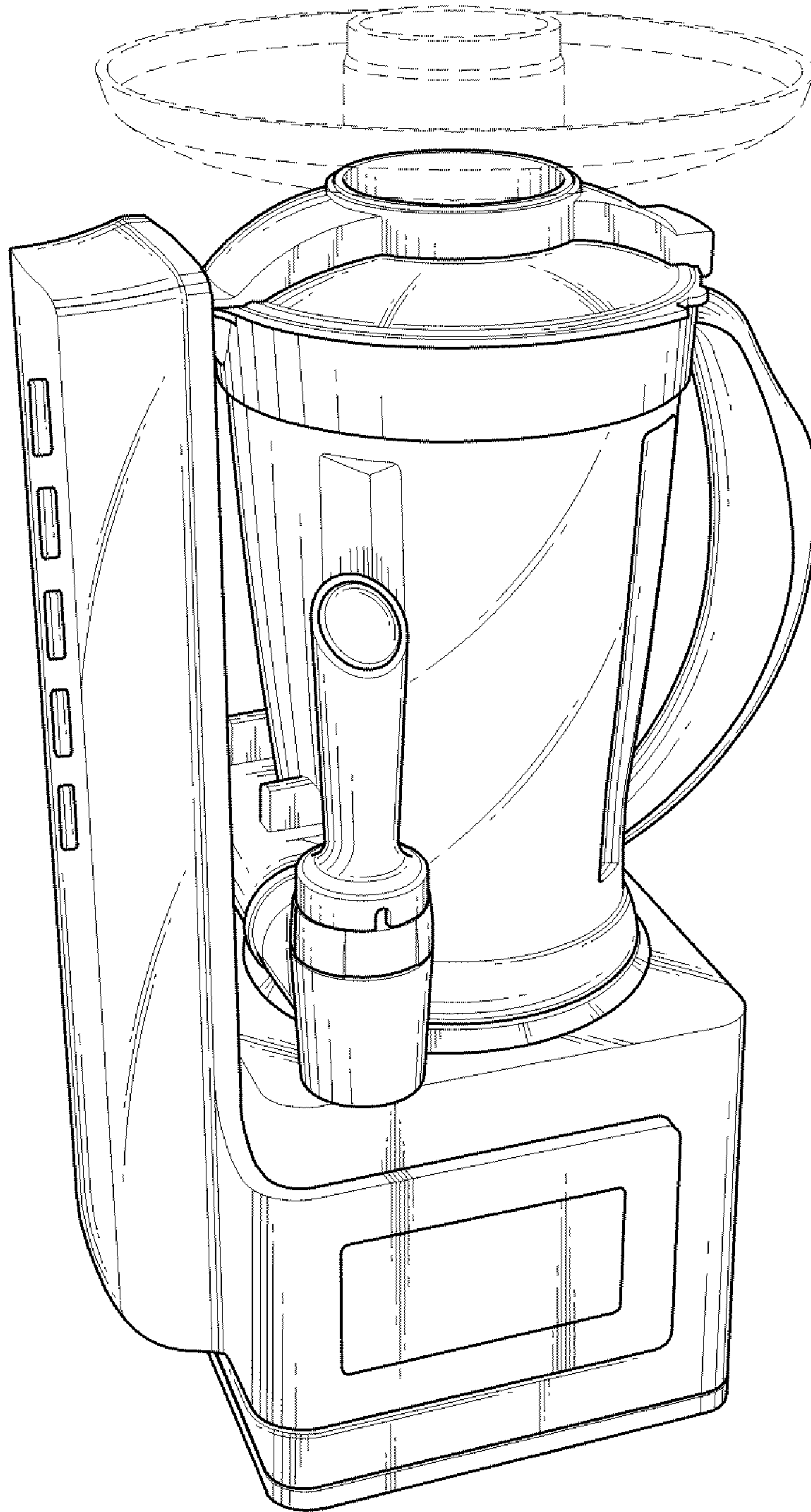


FIG.8