



US00D593356S

(12) **United States Design Patent**
Grassia

(10) **Patent No.:** **US D593,356 S**

(45) **Date of Patent:** **** Jun. 2, 2009**

(54) **COFFEE MAKER**

(75) Inventor: **Robert Grassia**, Botany (AU)

(73) Assignee: **Breville Pty Limited**, Botany, NSW (AU)

(**) Term: **14 Years**

(21) Appl. No.: **29/302,141**

(22) Filed: **Jan. 10, 2008**

(30) **Foreign Application Priority Data**

Jul. 20, 2007 (AU) 18995/2007

(51) **LOC (9) Cl.** **07-01**

(52) **U.S. Cl.** **D7/309; D7/311**

(58) **Field of Classification Search** D7/300,
D7/397, 398, 306-311; 99/279.298, 300,
99/285

See application file for complete search history.

(56) **References Cited**

U.S. PATENT DOCUMENTS

- D323,949 S * 2/1992 Kahlcke D7/309
- D324,621 S * 3/1992 Haslacher D7/309
- D337,475 S * 7/1993 Seiffert D7/309
- D342,860 S * 1/1994 Azpiri D7/309
- D354,193 S * 1/1995 Storsberg D7/309
- D356,495 S * 3/1995 Nilsson et al. D9/417
- D360,802 S * 8/1995 Seiffert D7/309
- D364,306 S * 11/1995 Storsberg D7/309

- D380,334 S * 7/1997 Lin D7/309
- D385,455 S * 10/1997 Cortese D7/309
- D431,750 S * 10/2000 Cahen D7/309
- D431,751 S * 10/2000 Cahen D7/309
- D449,199 S * 10/2001 Cahen D7/309
- D449,488 S * 10/2001 Cahen D7/309
- D510,675 S * 10/2005 Ball D7/306

* cited by examiner

Primary Examiner—Marianne Pandozzi
(74) *Attorney, Agent, or Firm*—Molins & Co

(57) **CLAIM**

The ornamental design for a coffee maker, as shown and described.

DESCRIPTION

FIG. 1 is a front elevation view of a coffee maker showing my new design;

FIG. 2 is a rear elevation view thereof;

FIG. 3 is a left side elevation view thereof;

FIG. 4 is a right side elevation view thereof;

FIG. 5 is top view thereof;

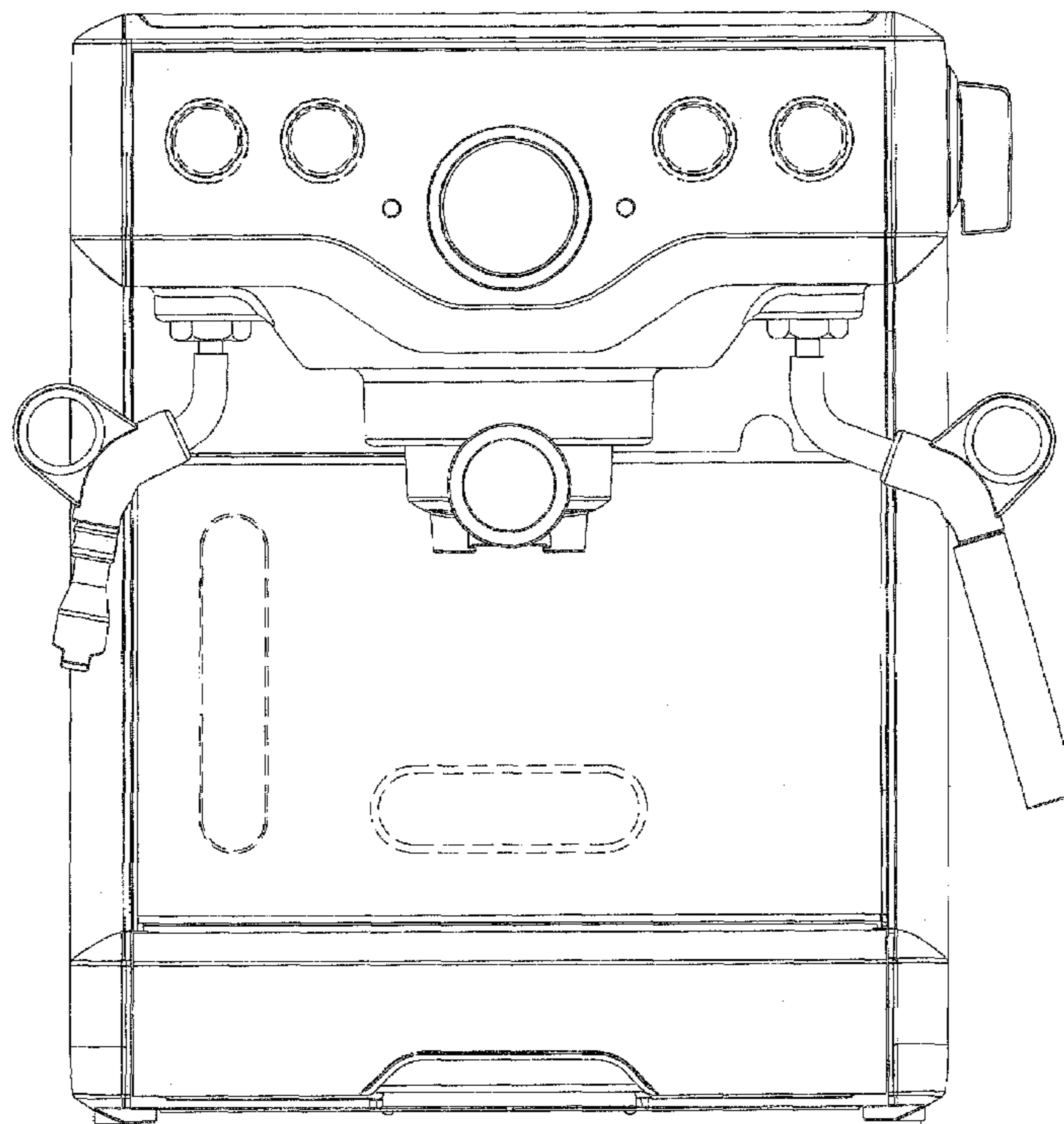
FIG. 6 is an underside view thereof;

FIG. 7 is a front perspective view thereof; and,

FIG. 8 is a rear perspective view thereof.

The broken lines in the drawings are for illustrative purposes only and form no part of the claimed design.

1 Claim, 8 Drawing Sheets



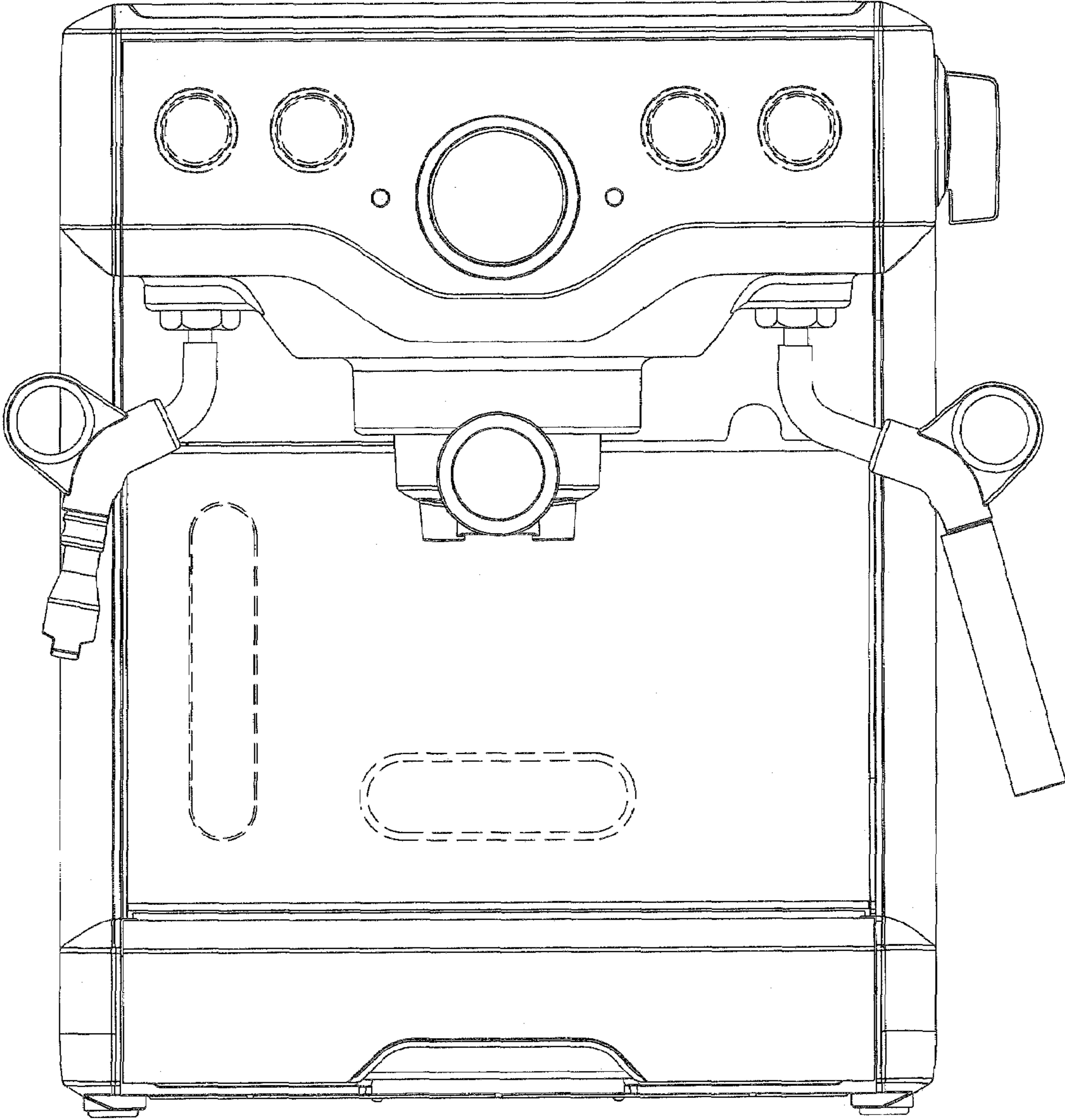


FIG. 1

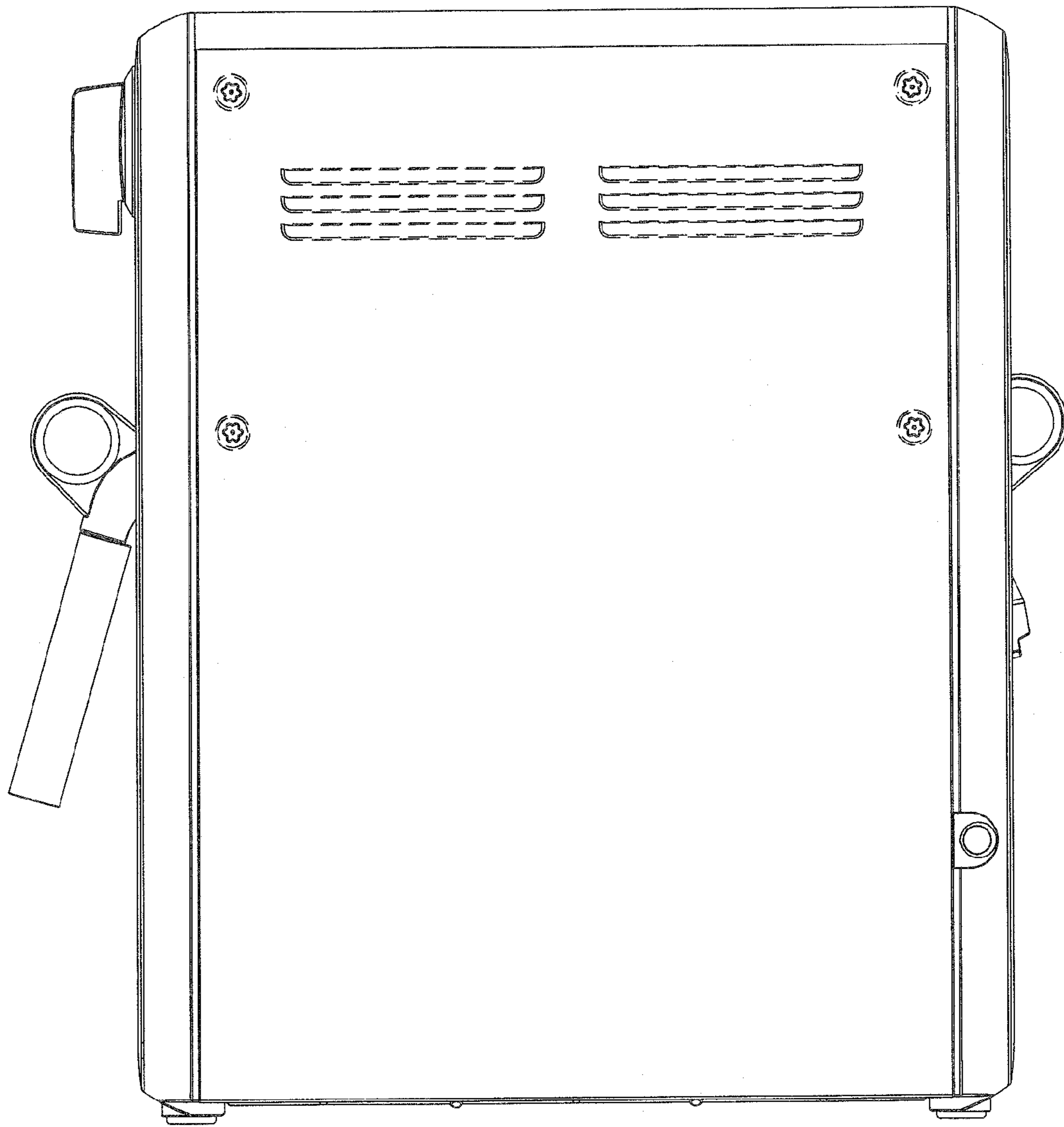


FIG. 2

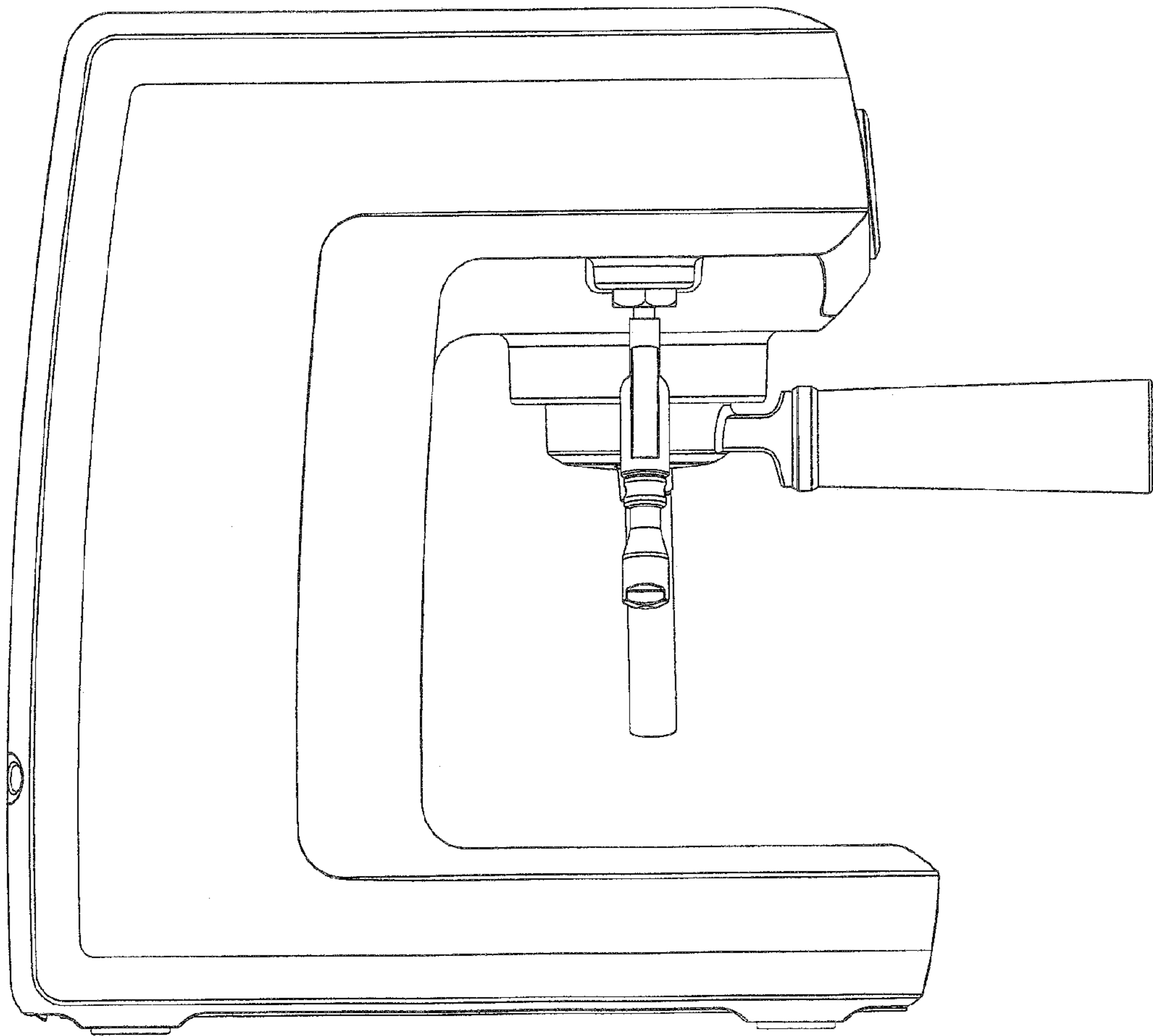


FIG. 3

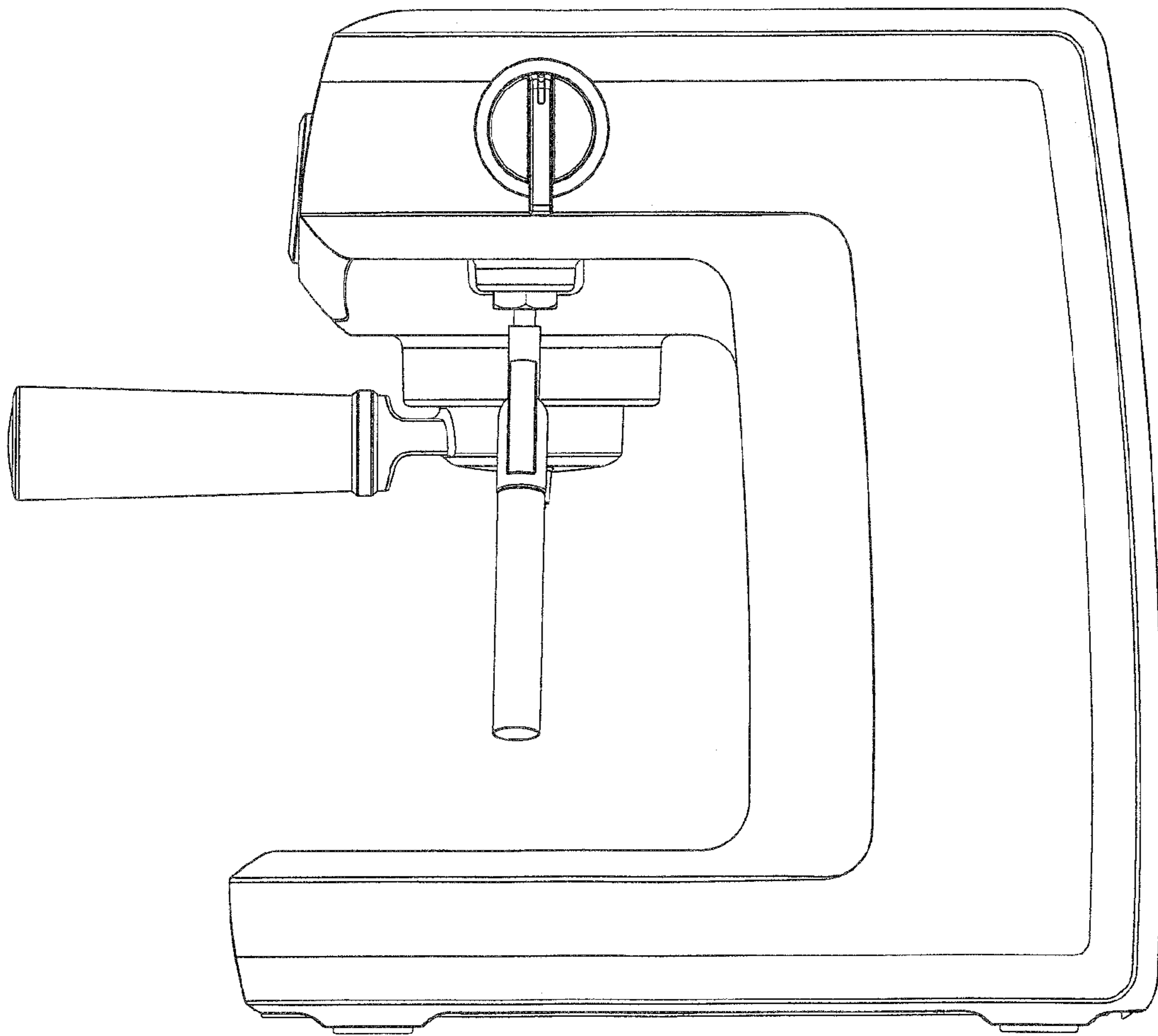


FIG. 4

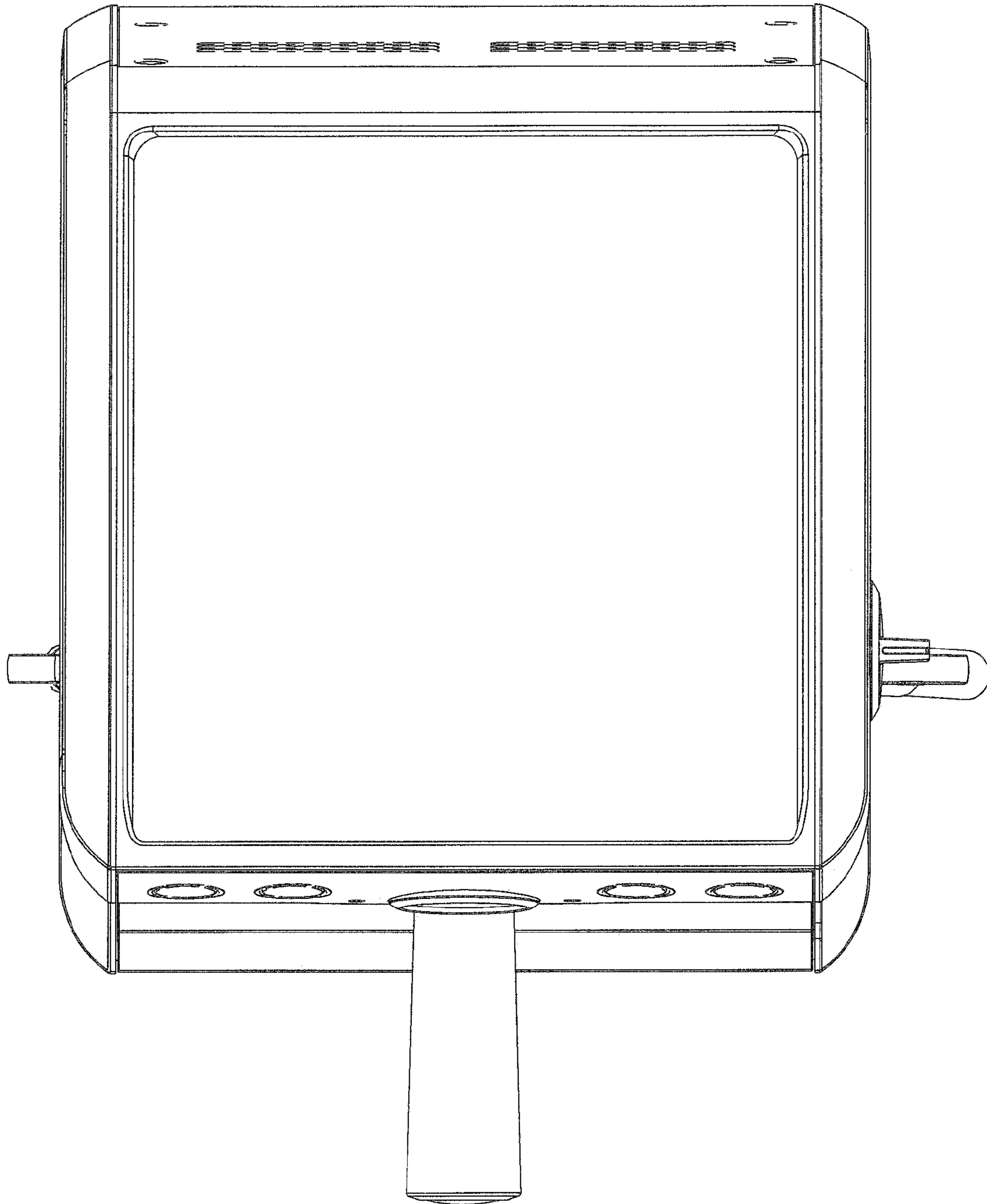


FIG. 5

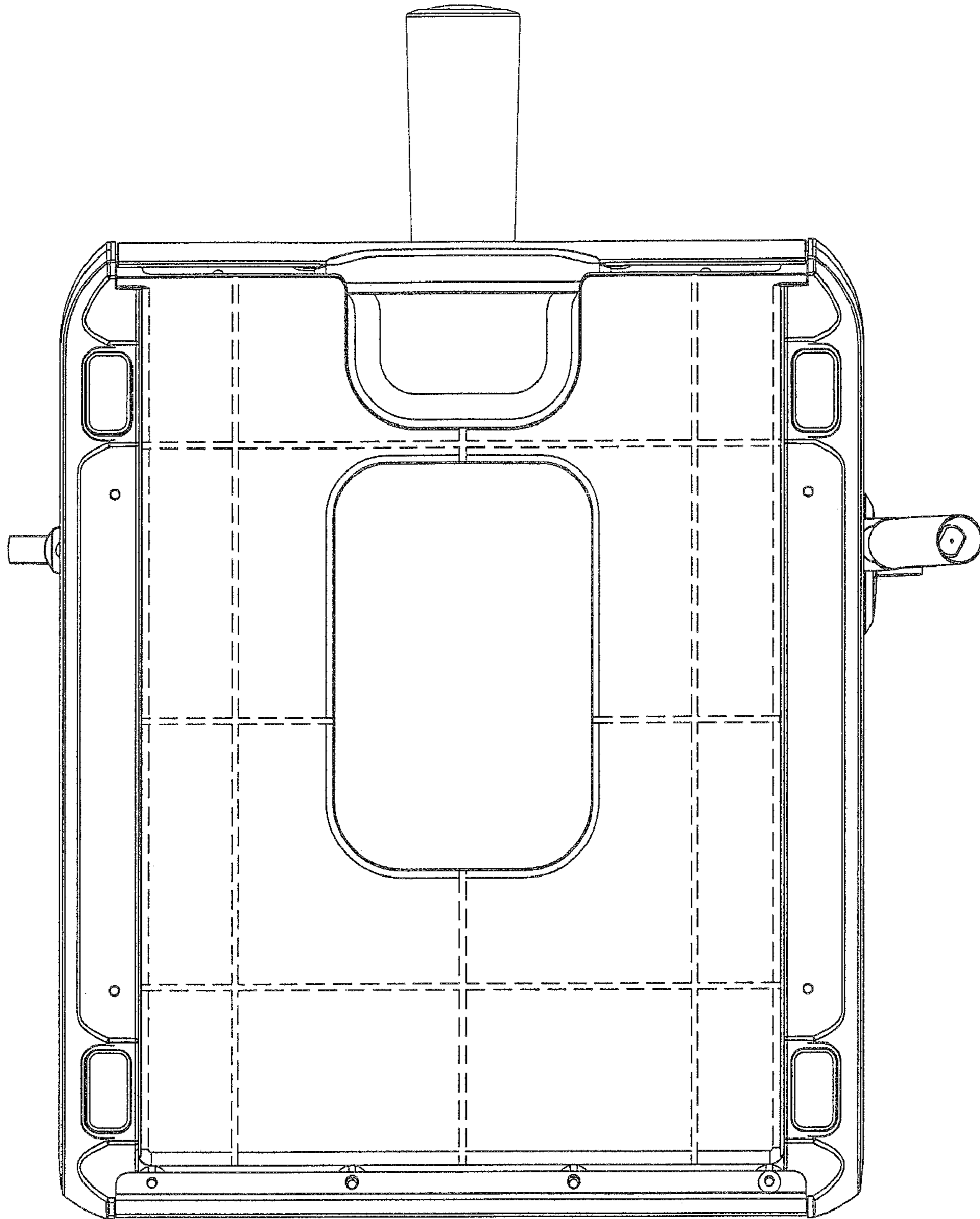


FIG. 6

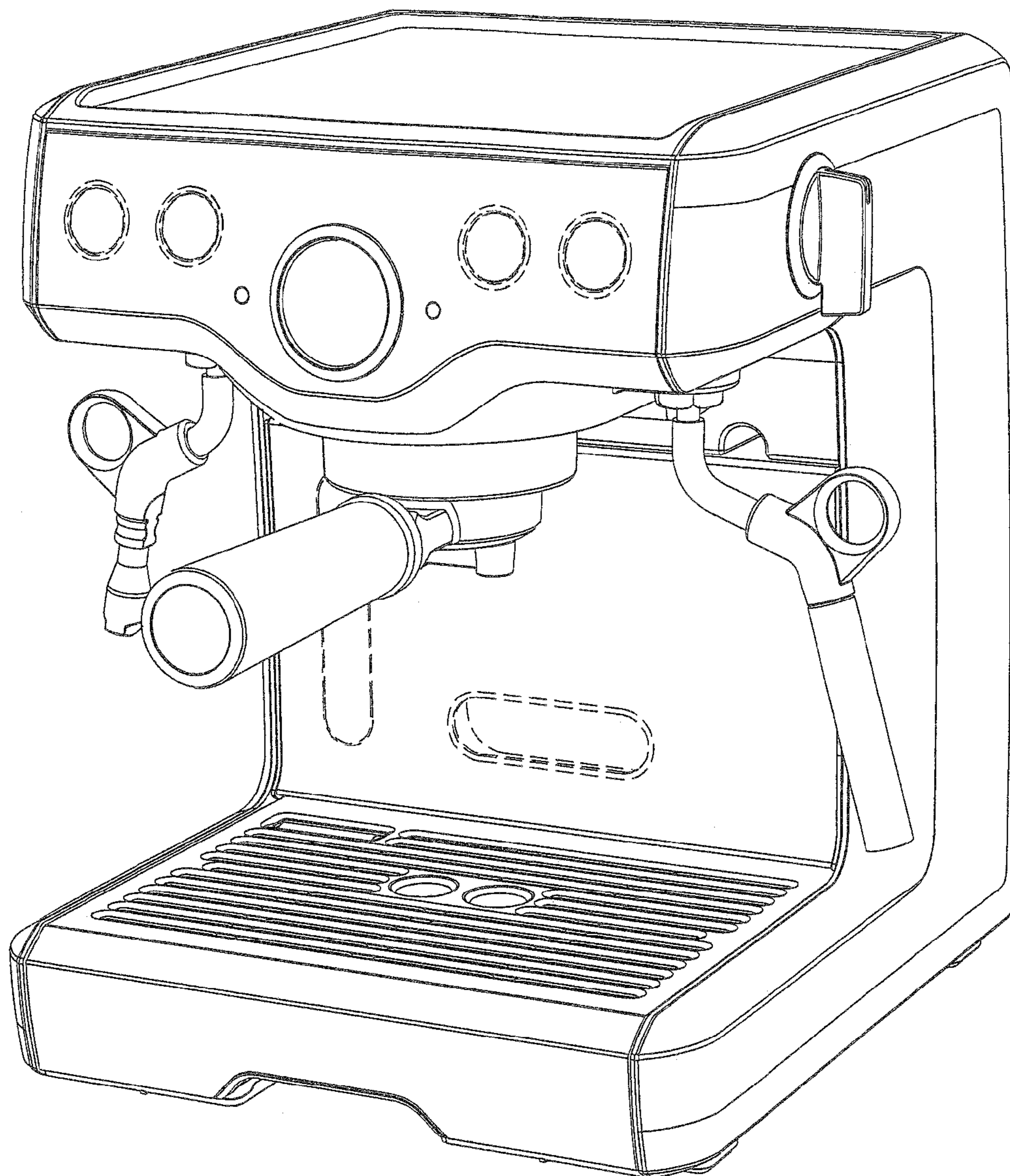


FIG. 7

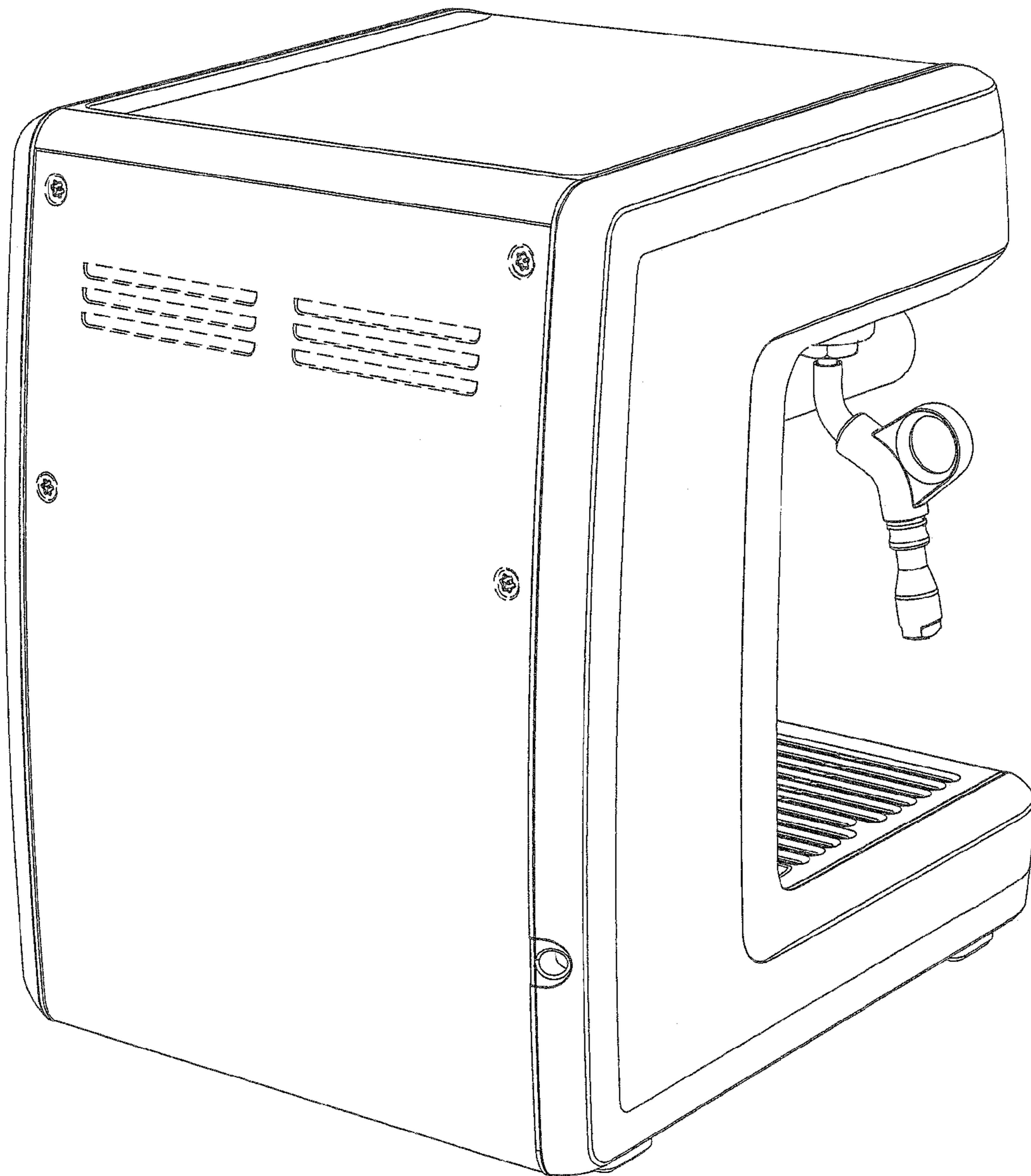


FIG. 8