



US00D593355S

(12) **United States Design Patent**  
**Girard et al.**

(10) **Patent No.:** **US D593,355 S**

(45) **Date of Patent:** **\*\* Jun. 2, 2009**

(54) **BEVERAGE DISPENSER**

(75) Inventors: **Jeffrey J. Girard**, Scottsdale, AZ (US);  
**Mario E. Vassaux**, Scottsdale, AZ (US);  
**Heather B. Kay**, Mesa, AZ (US)

(73) Assignee: **Intelligent Coffee Company, LLC**,  
Scottsdale, AZ (US)

(\*\*) Term: **14 Years**

(21) Appl. No.: **29/298,515**

(22) Filed: **Dec. 6, 2007**

(51) **LOC (9) Cl.** ..... **07-01**

(52) **U.S. Cl.** ..... **D7/306**

(58) **Field of Classification Search** ..... D7/306-309,  
D7/313; 222/105, 484, 185.1  
See application file for complete search history.

(56) **References Cited**

**U.S. PATENT DOCUMENTS**

D300,106 S *	3/1989	Paulin	.....	D7/309
D343,089 S *	1/1994	MacDonald	.....	D7/306
D375,649 S *	11/1996	Henninger et al.	.....	D7/301
D443,792 S *	6/2001	Peters et al.	.....	D7/306
D450,214 S *	11/2001	Woebcke et al.	.....	D7/306
D483,214 S *	12/2003	Holderfield et al.	.....	D7/309
D510,675 S *	10/2005	Ball	.....	D7/306
D546,112 S *	7/2007	Rorke et al.	.....	D7/309
D563,142 S *	3/2008	Kauer	.....	D7/306

D566,453 S *	4/2008	Schwamkrug	.....	D7/309
D569,162 S *	5/2008	Gu et al.	.....	D7/306
D570,148 S *	6/2008	Garman	.....	D7/306
D571,598 S *	6/2008	Moore	.....	D7/306
D572,965 S *	7/2008	Steiner	.....	D7/309
D581,196 S *	11/2008	Kassenaar	.....	D7/306

\* cited by examiner

*Primary Examiner*—Marianne Pandozzi

(74) *Attorney, Agent, or Firm*—Volpe and Koenig, P.C.

(57) **CLAIM**

The ornamental design for a beverage dispenser, as shown and described.

**DESCRIPTION**

FIG. 1 is a perspective view of a beverage dispenser in accordance with our design;

FIG. 2 is a front elevational view thereof;

FIG. 3 is a rear elevational view thereof;

FIG. 4 is a top view thereof;

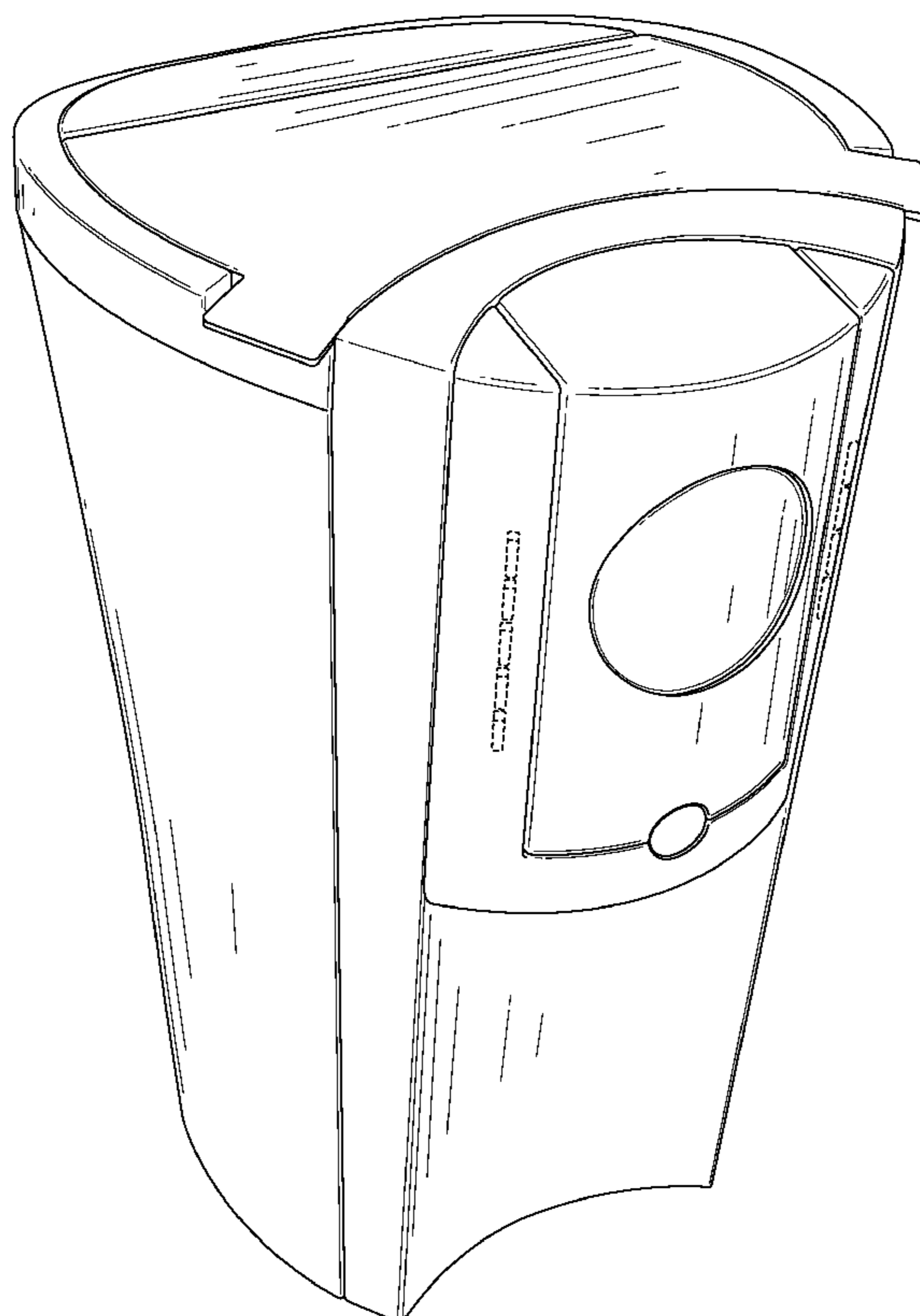
FIG. 5 is a bottom view thereof;

FIG. 6 is a left side elevational view thereof; and,

FIG. 7 is a right side elevational view thereof.

The broken lines in the drawings are included for the purpose of illustration and form no part of the claimed design.

**1 Claim, 7 Drawing Sheets**



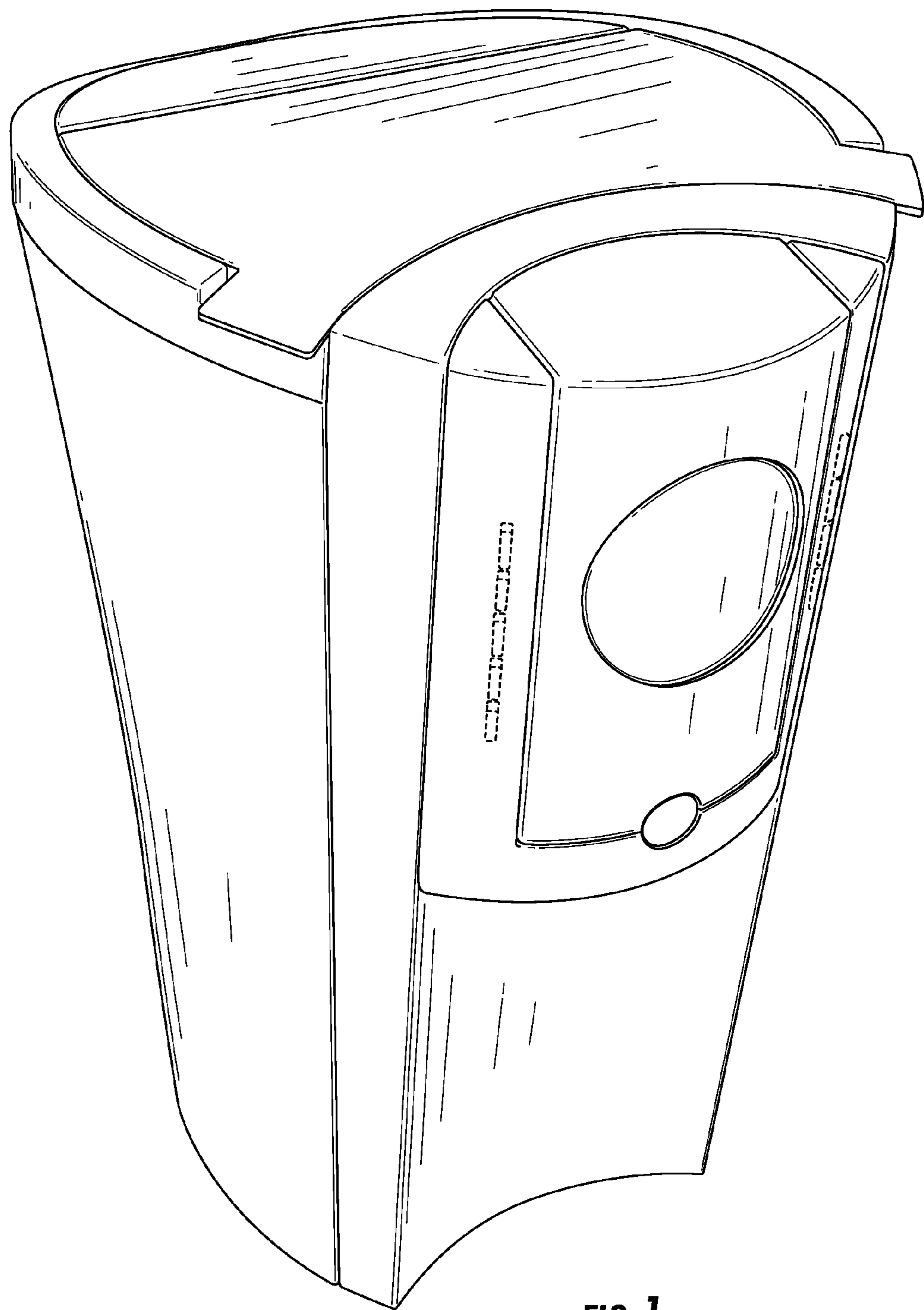
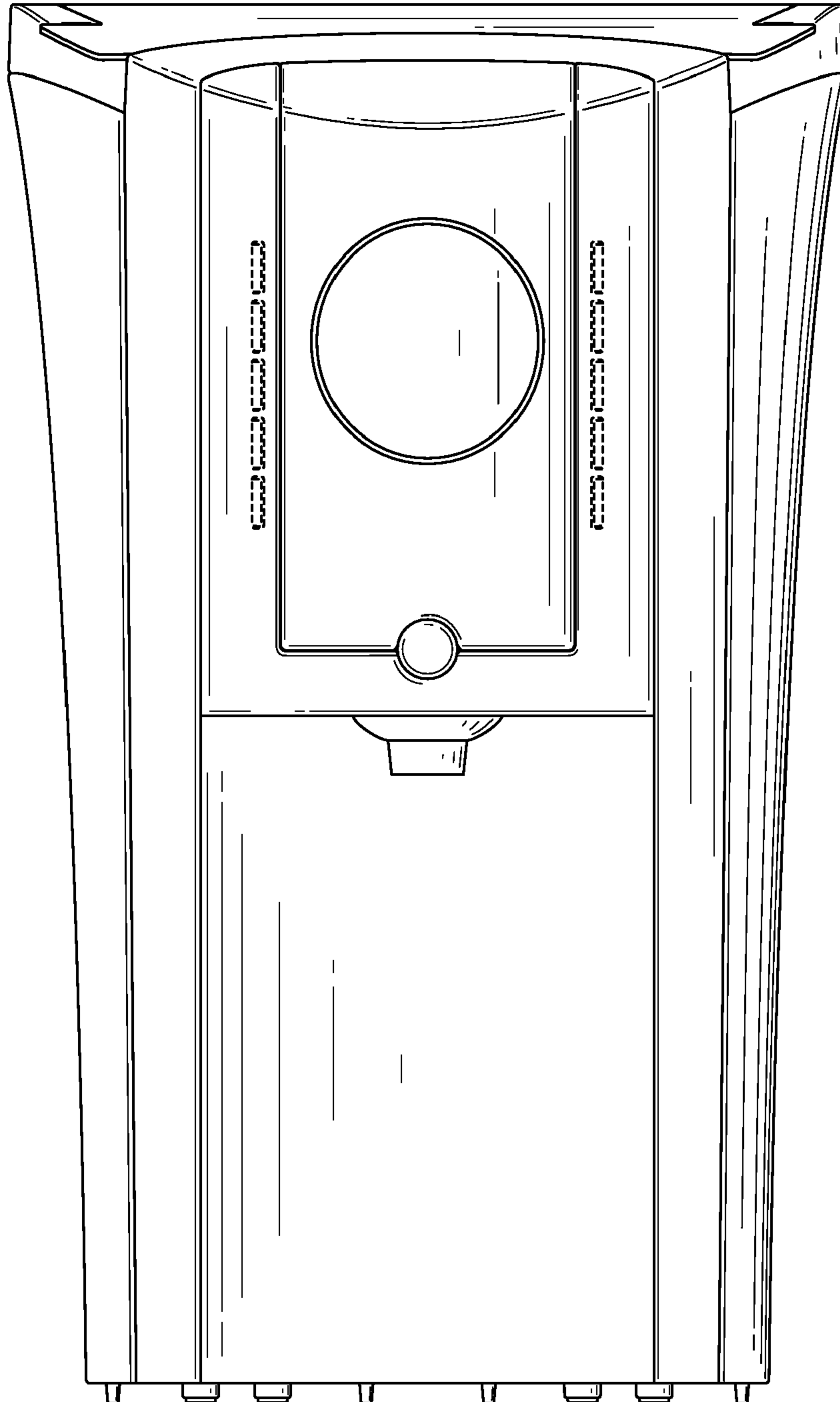
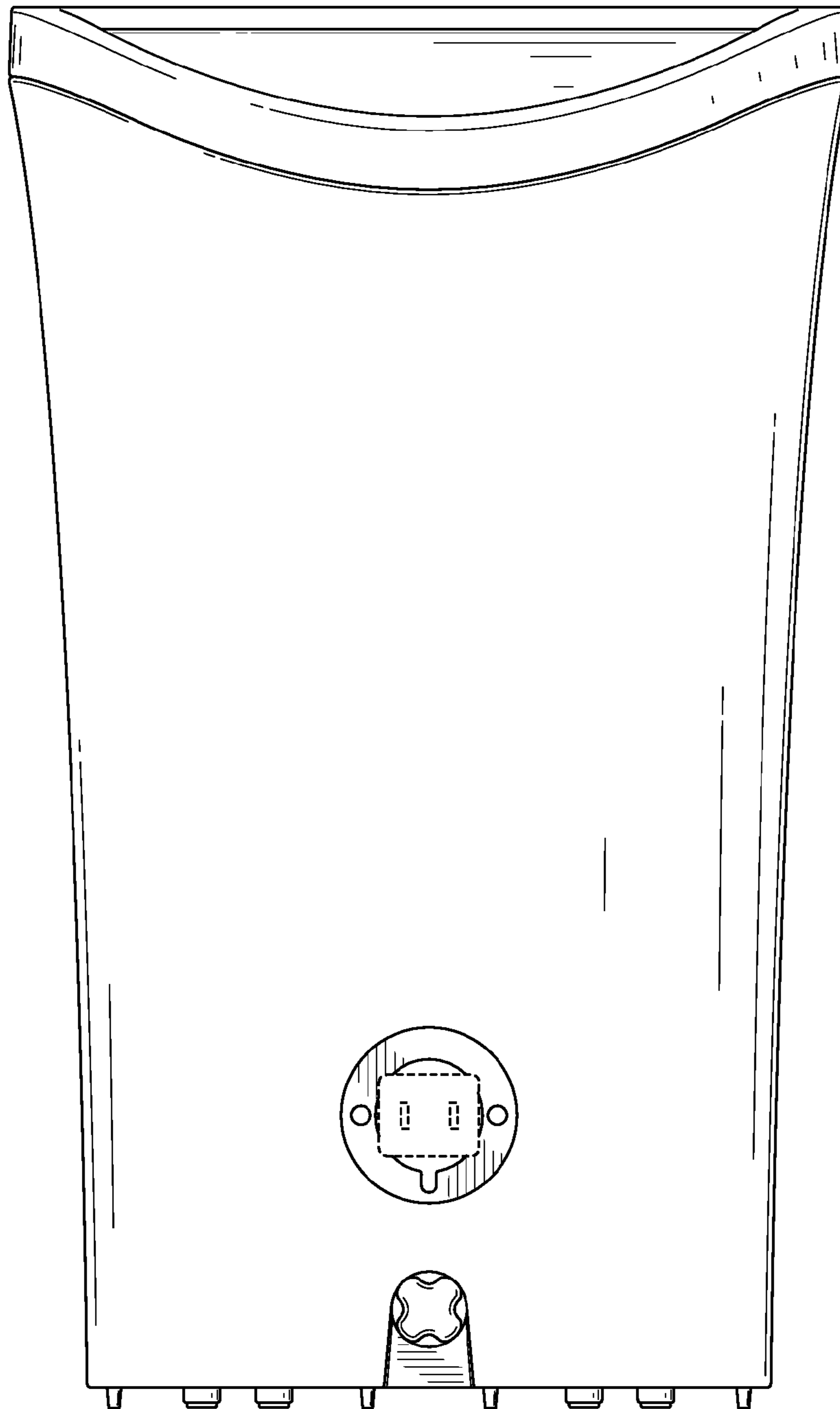


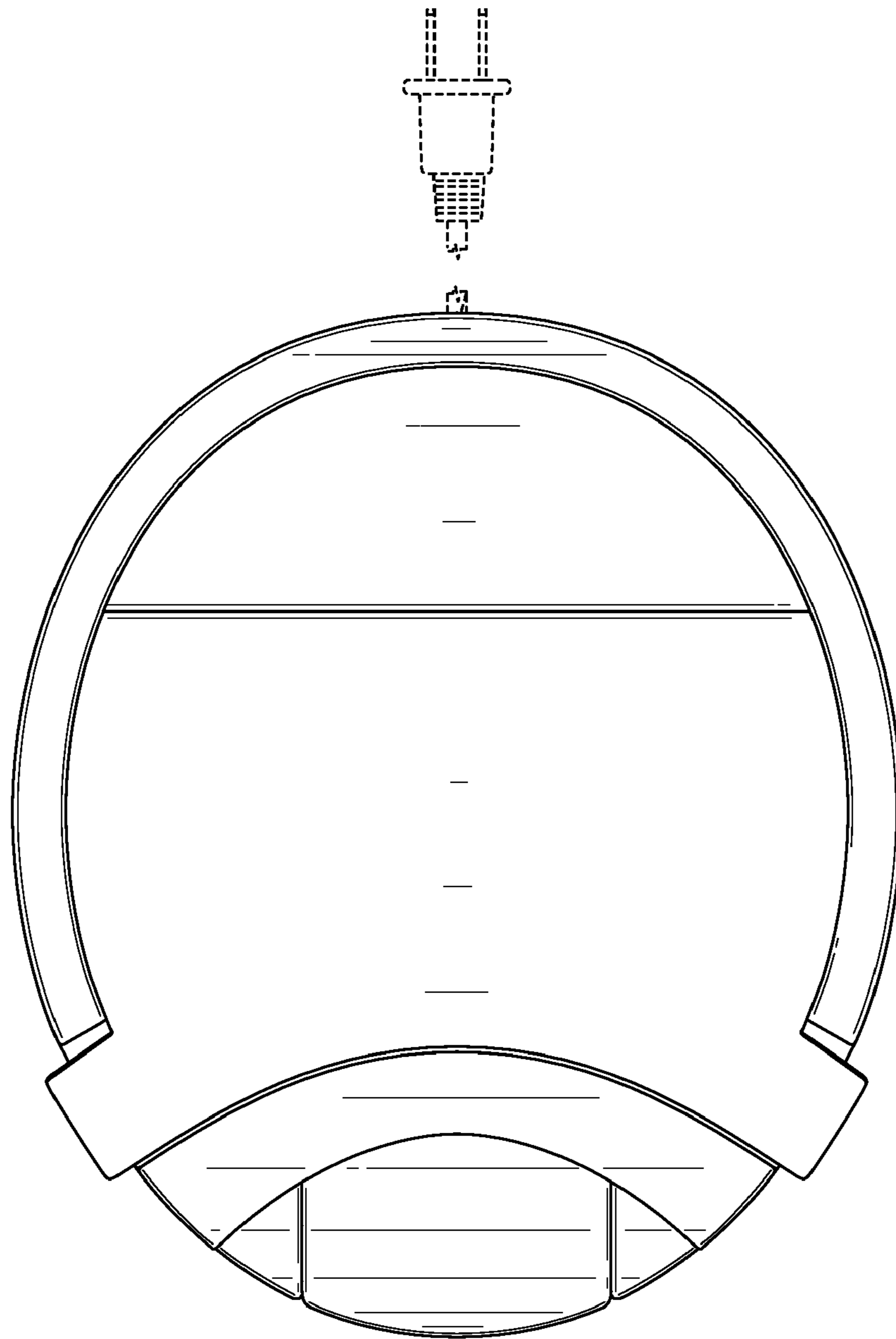
FIG. 1



**FIG. 2**



**FIG. 3**



**FIG. 4**

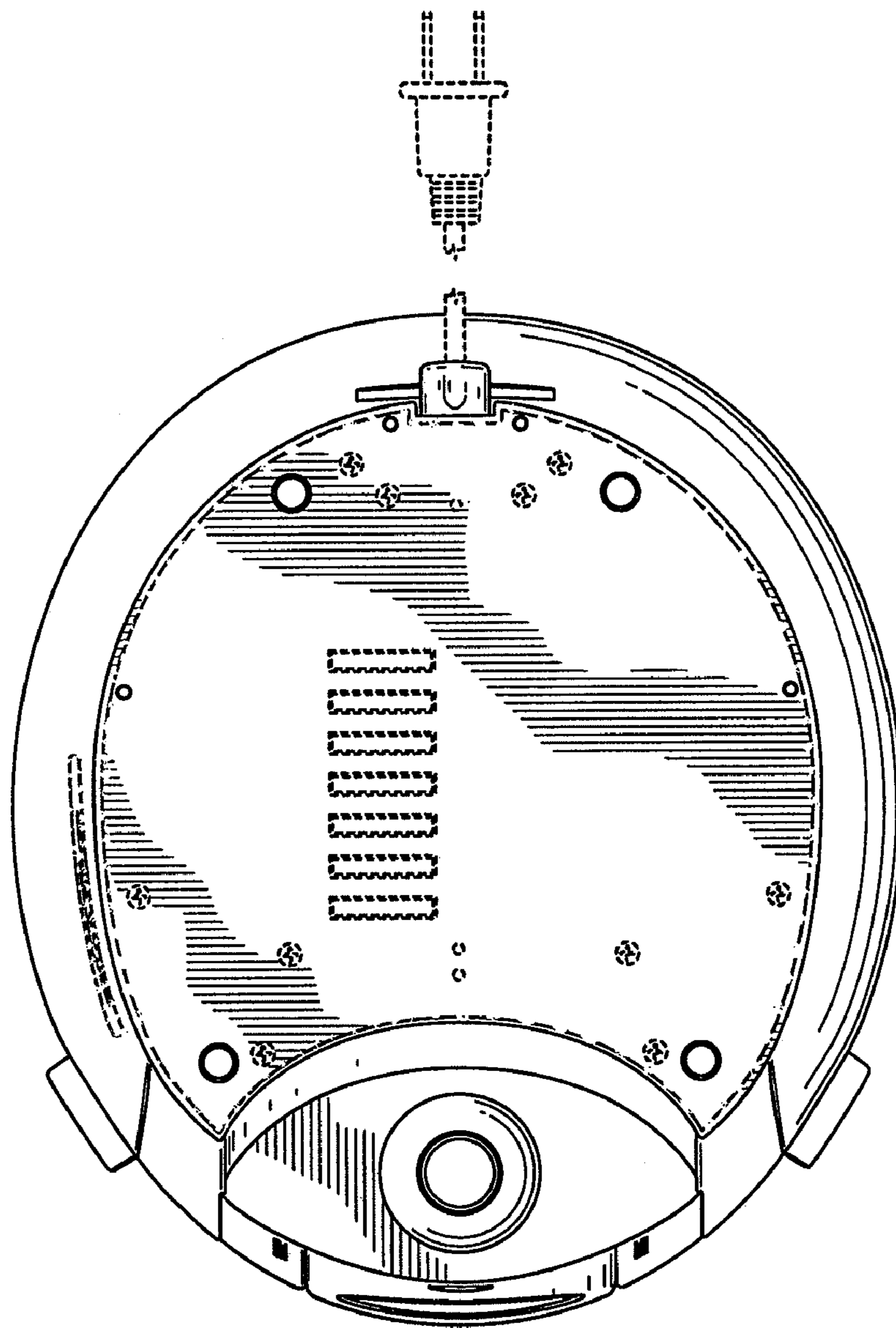


FIG. 5

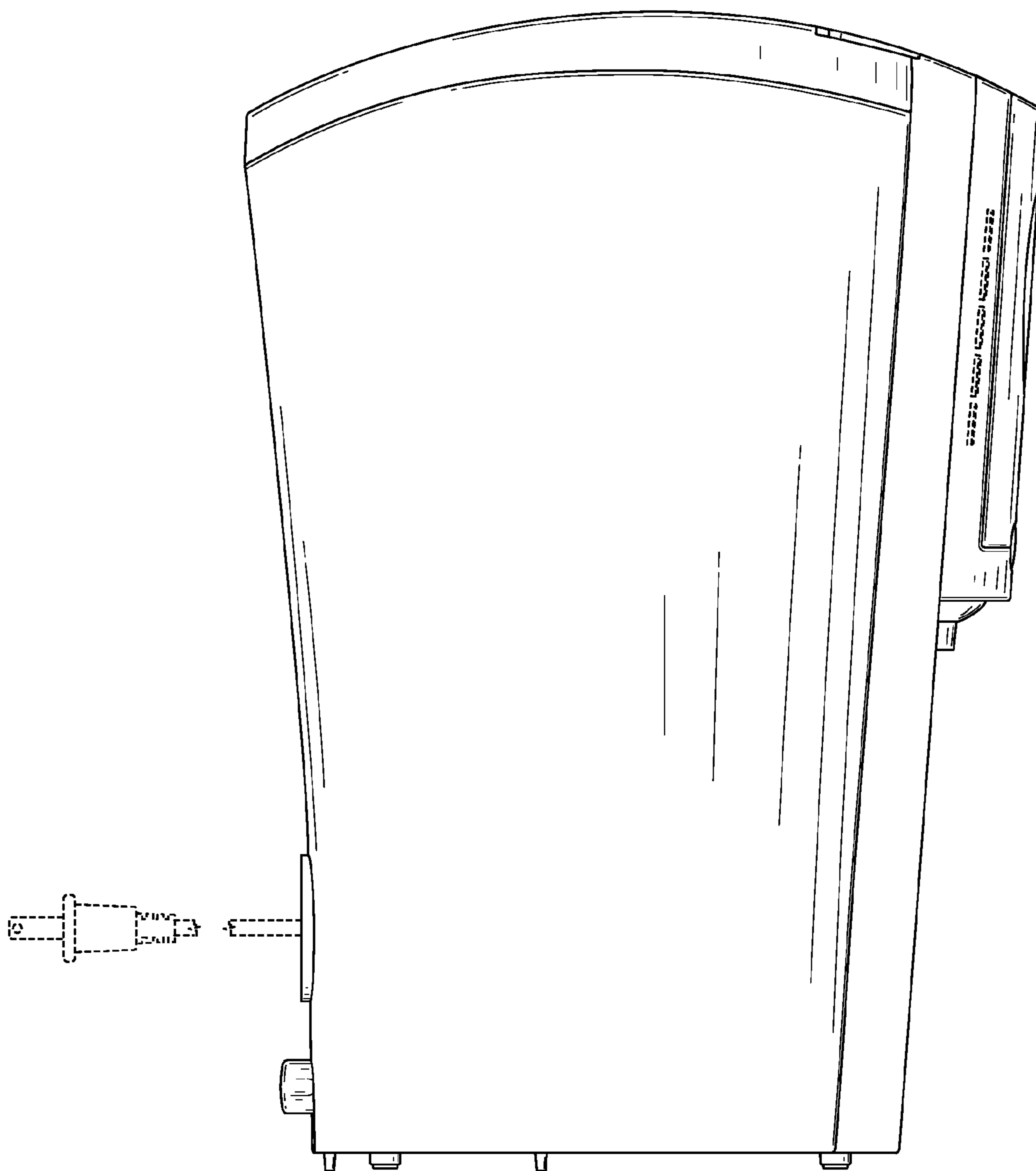


FIG. 6

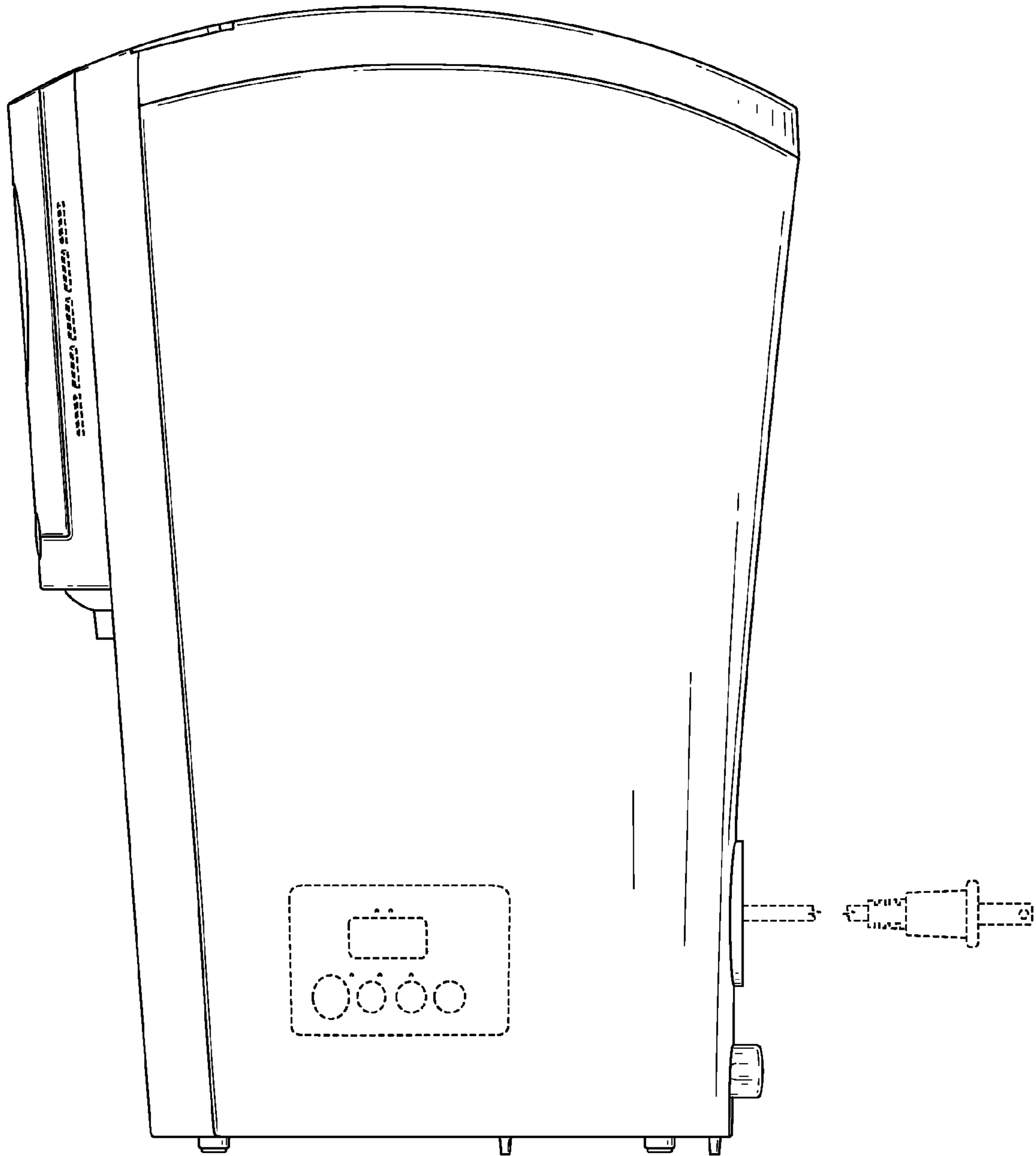


FIG. 7