



US00D593354S

(12) **United States Design Patent**
Romandy

(10) **Patent No.:** **US D593,354 S**
(45) **Date of Patent:** **** Jun. 2, 2009**

(54) **COFFEE MAKER**
(75) Inventor: **Mark K. Romandy**, Midlothian, VA
(US)
(73) Assignee: **Hamilton Beach Brands, Inc.**, Glen
Allen, VA (US)

D478,460 S 8/2003 Chiu
D489,932 S 5/2004 Picozza et al.
D492,544 S 7/2004 Munoz
D510,675 S 10/2005 Ball
D528,343 S * 9/2006 Ham D7/306
D531,444 S 11/2006 Ohashi
D552,401 S 10/2007 Picozza et al.
D563,142 S * 3/2008 Kauer D7/306
D570,148 S * 6/2008 Garman D7/306
D581,196 S * 11/2008 Kassenaar D7/306

(**) Term: **14 Years**

(21) Appl. No.: **29/298,426**

* cited by examiner

(22) Filed: **Dec. 5, 2007**

Primary Examiner—Marianne Pandozzi
(74) *Attorney, Agent, or Firm*—Thomas, Raring & Teague,
P.C.

(51) **LOC (9) Cl.** **07-01**

(52) **U.S. Cl.** **D7/306; D7/313**

(58) **Field of Classification Search** D7/306–309,
D7/313, 300, 608; 222/105, 484, 185.1,
222/131; 99/297, 304; 220/902
See application file for complete search history.

(57) **CLAIM**

The ornamental design for a coffee maker, as shown and
described.

(56) **References Cited**

DESCRIPTION

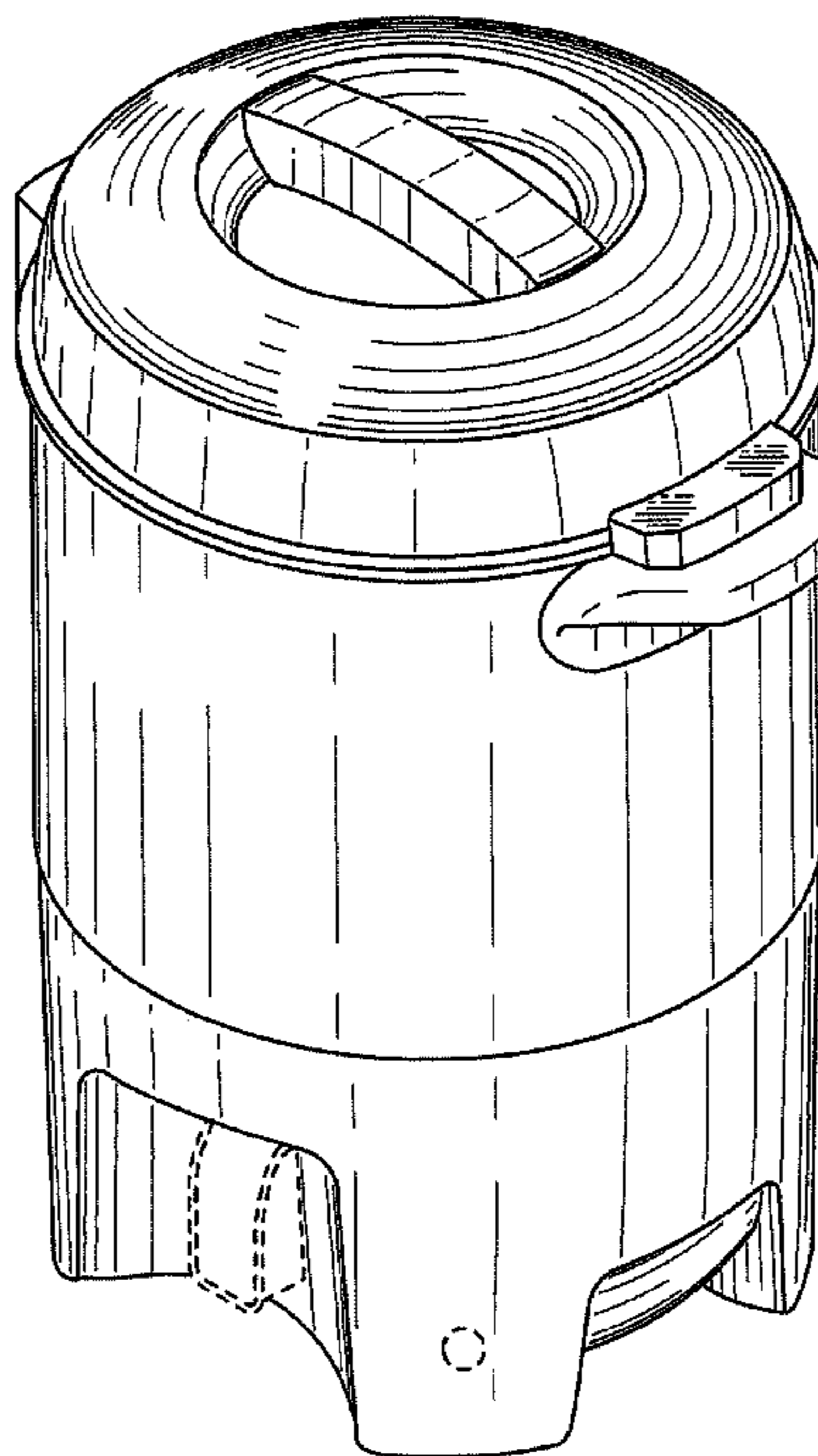
U.S. PATENT DOCUMENTS

D90,744 S 7/1933 Worthington
D192,529 S 4/1962 Painter
D199,408 S 10/1964 Felske
3,910,461 A 10/1975 Eager
D248,718 S * 8/1978 Little D7/313
D344,657 S * 3/1994 Knopp D7/313
D356,713 S * 3/1995 Groover D7/306
D358,289 S 5/1995 Thies et al.
D385,747 S 11/1997 Inoue
D426,226 S * 6/2000 Ridinger D14/188
D431,145 S * 9/2000 Woebcke et al. D7/306
D435,994 S 1/2001 Gaffney
D446,988 S * 8/2001 Lothrop et al. D7/309
D464,226 S 10/2002 Lassota et al.

FIG. 1 is a perspective view as seen from the top, front and
right side of a coffee maker showing the new design;
FIG. 2 is a front view thereof;
FIG. 3 is a rear view thereof;
FIG. 4 is a right side view thereof;
FIG. 5 is a left side view thereof;
FIG. 6 is a top view thereof; and,
FIG. 7 is a bottom view thereof.

The broken lines in the drawings are included for the purpose
of illustration and form no part of the claimed design.

1 Claim, 6 Drawing Sheets



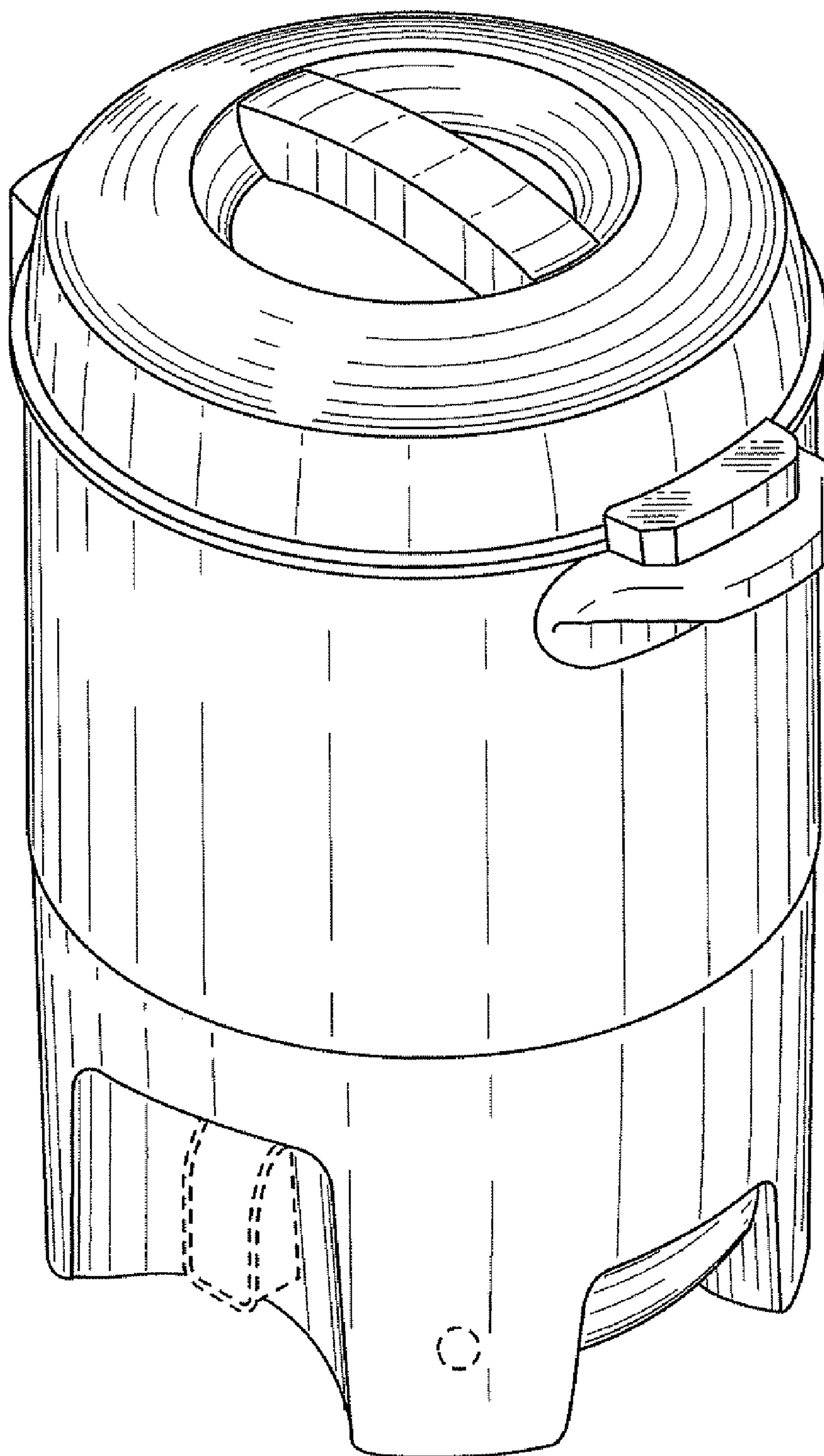


FIG. 1

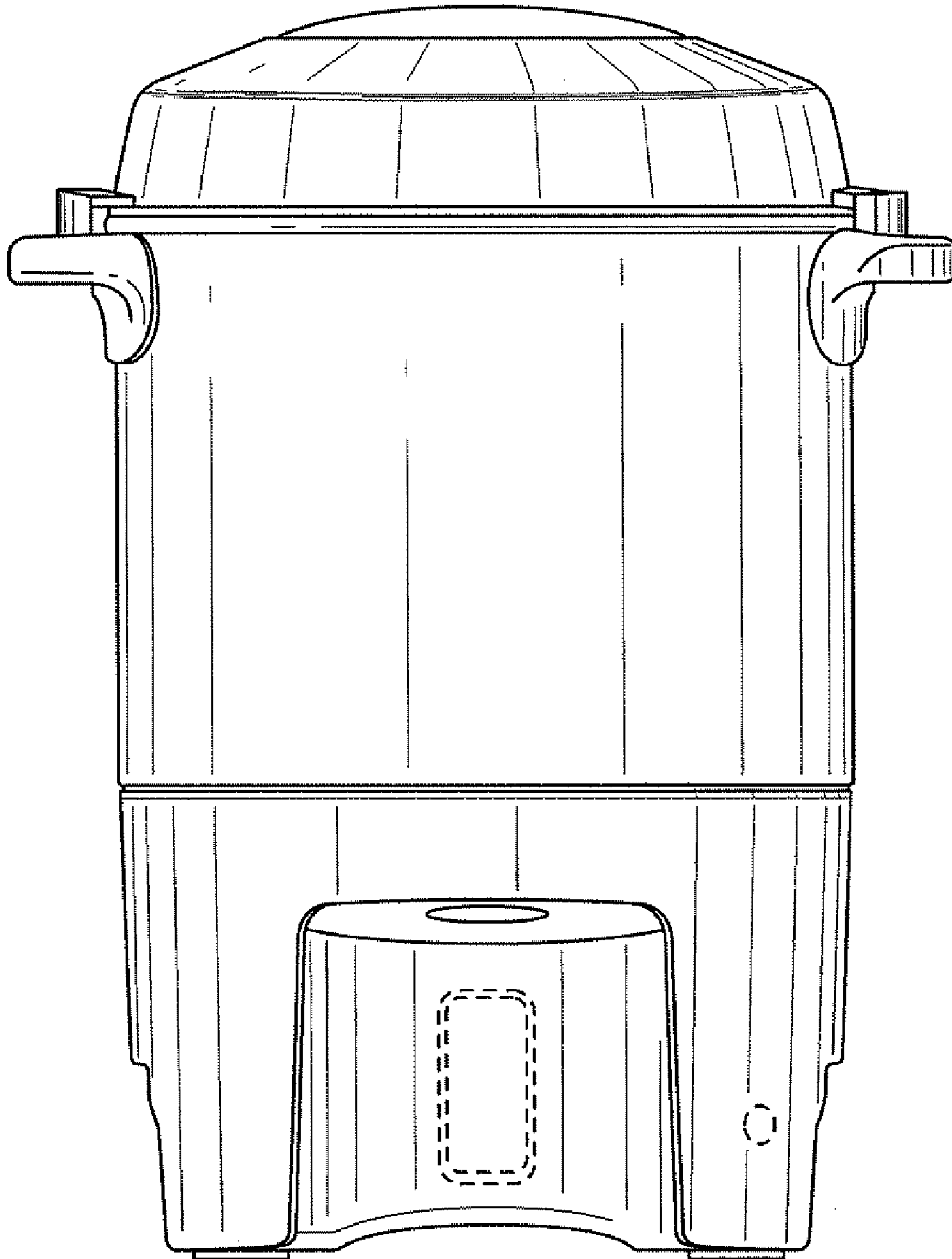


FIG. 2

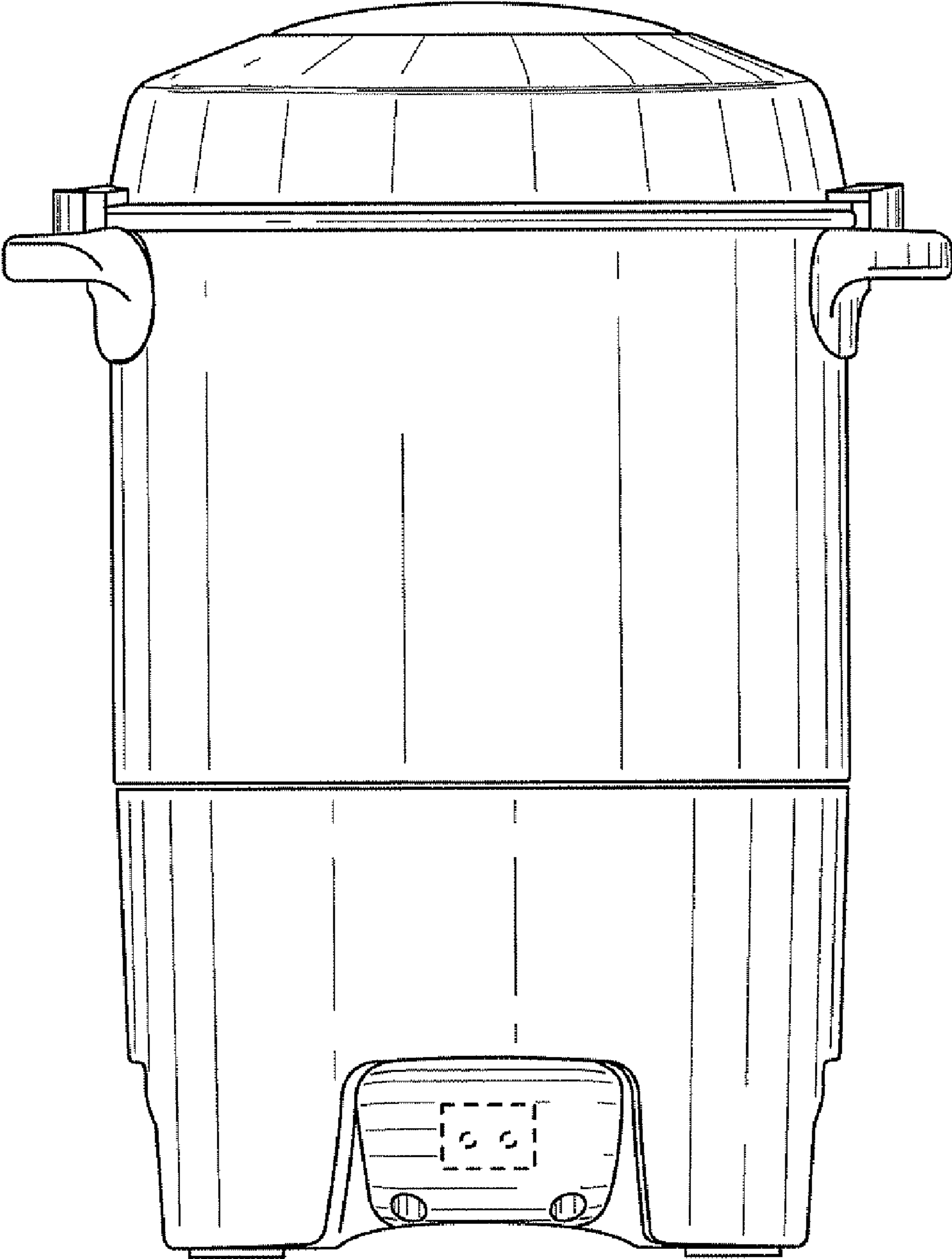


FIG. 3

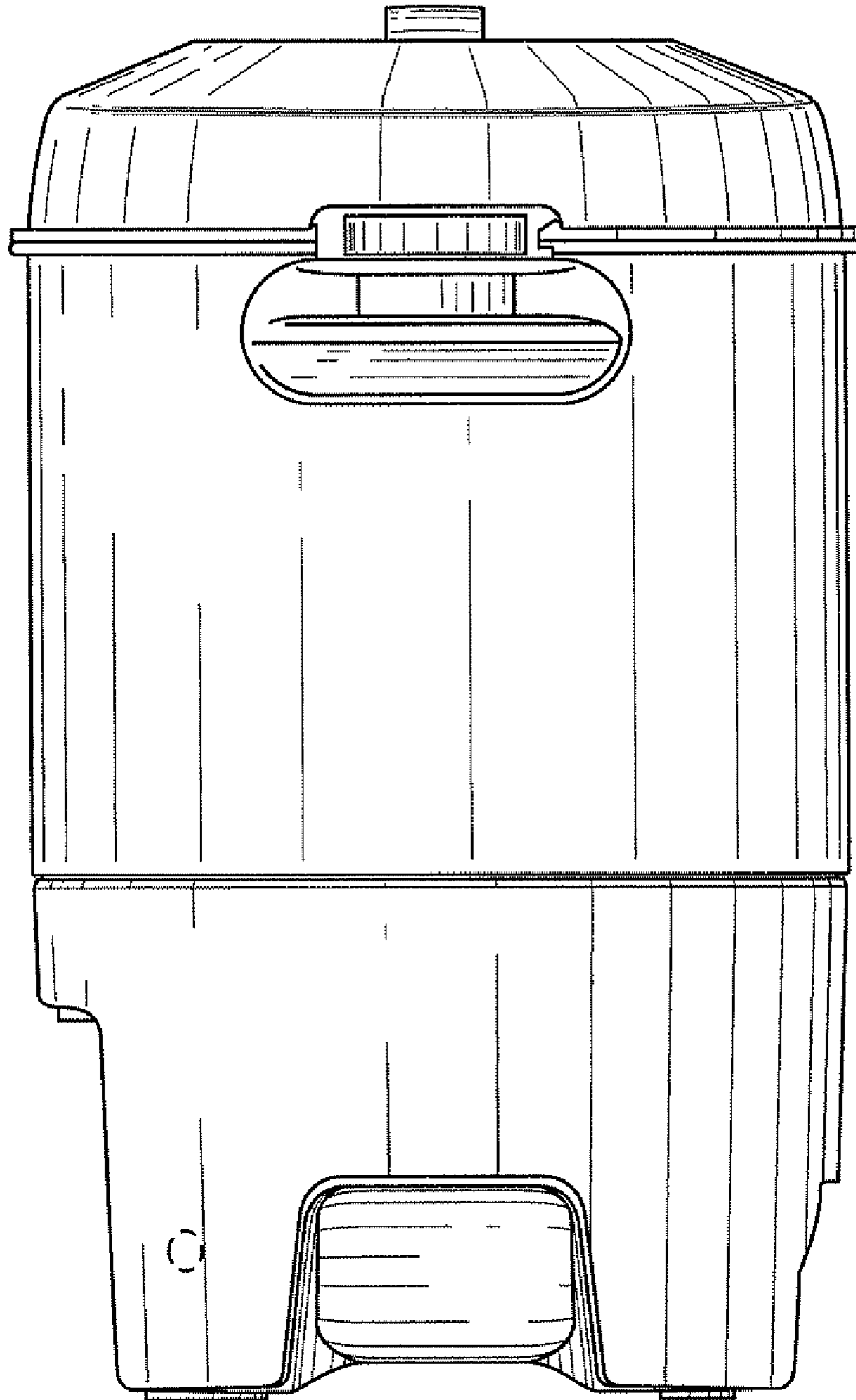


FIG. 4

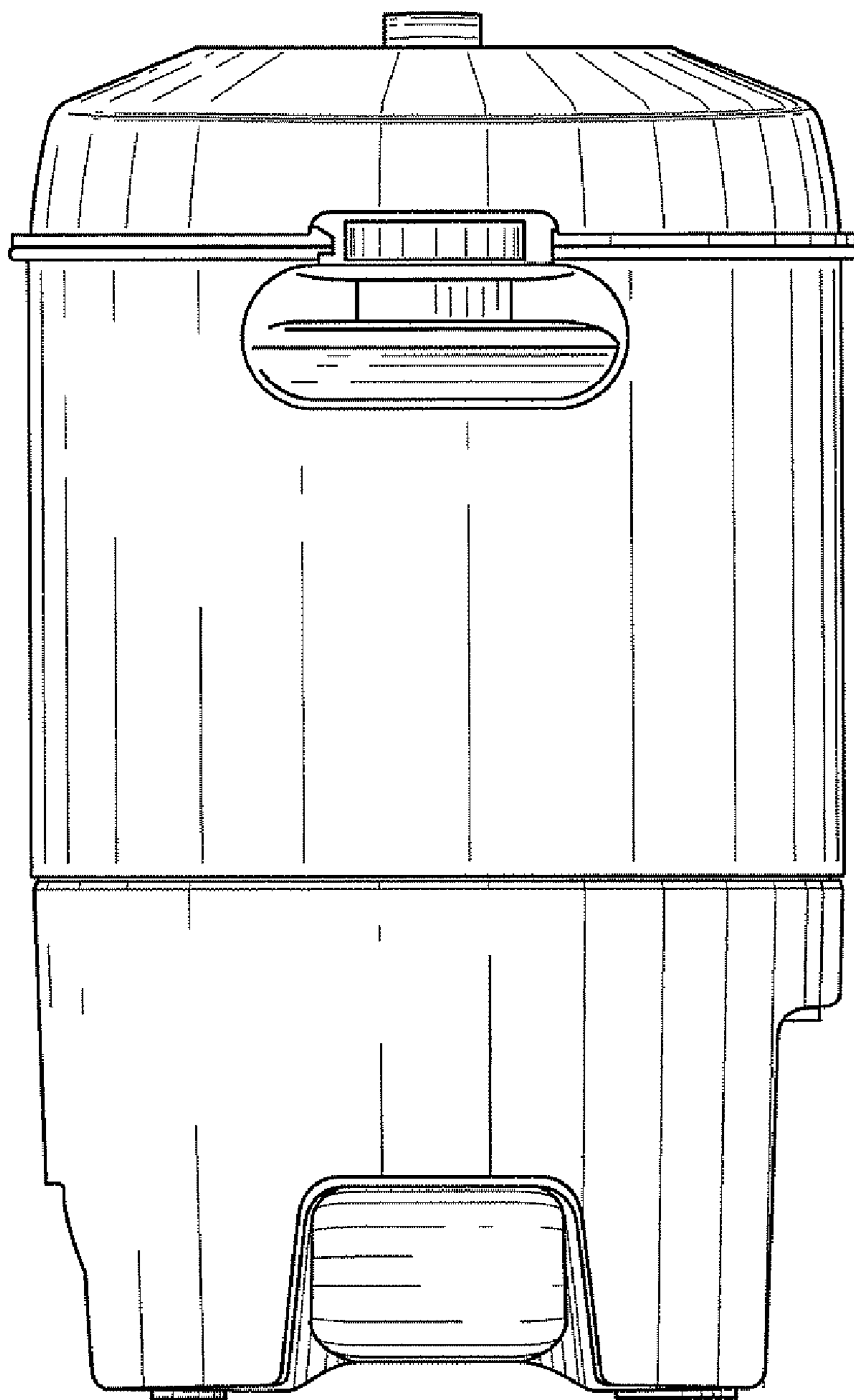


FIG. 5

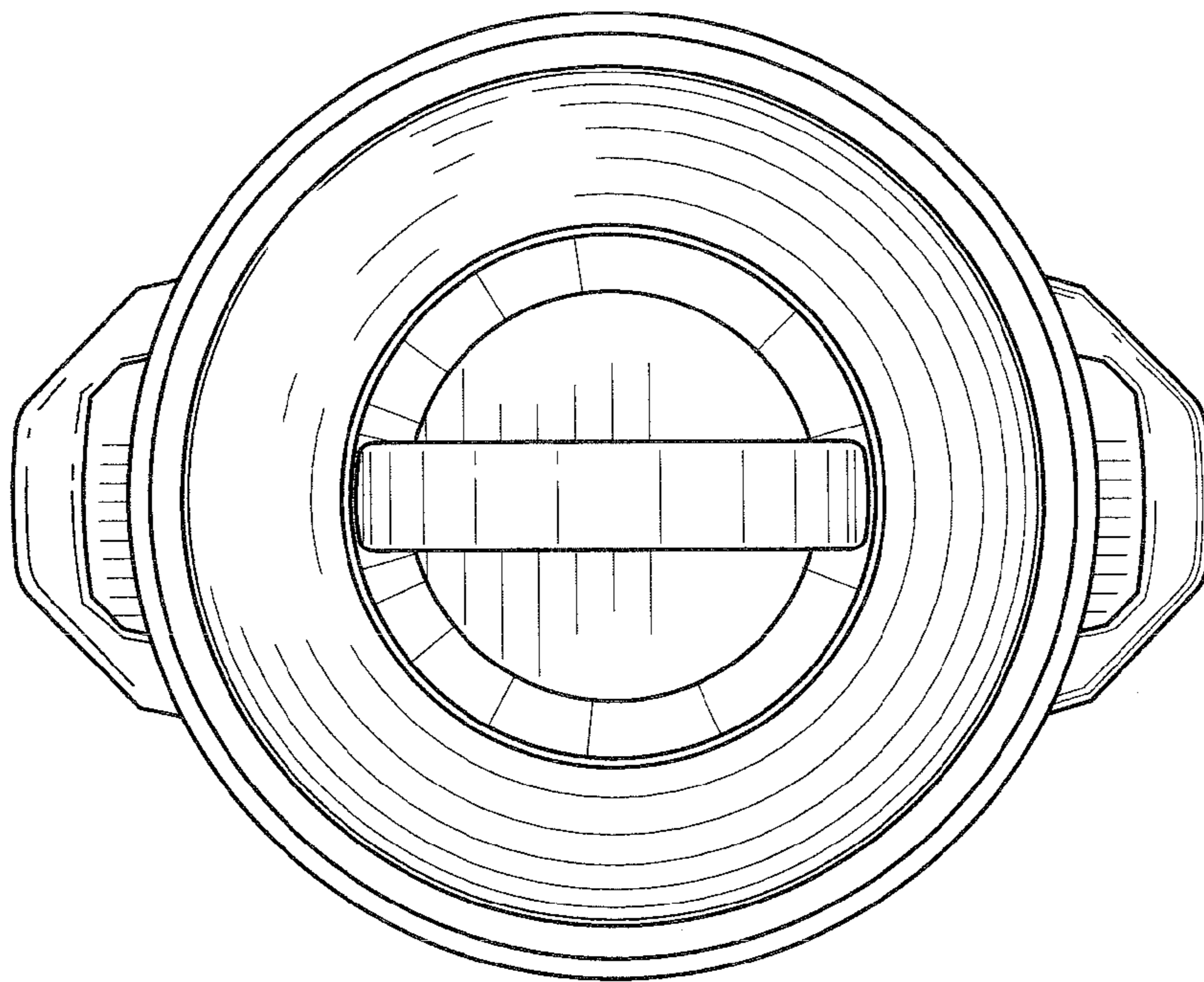


FIG. 6

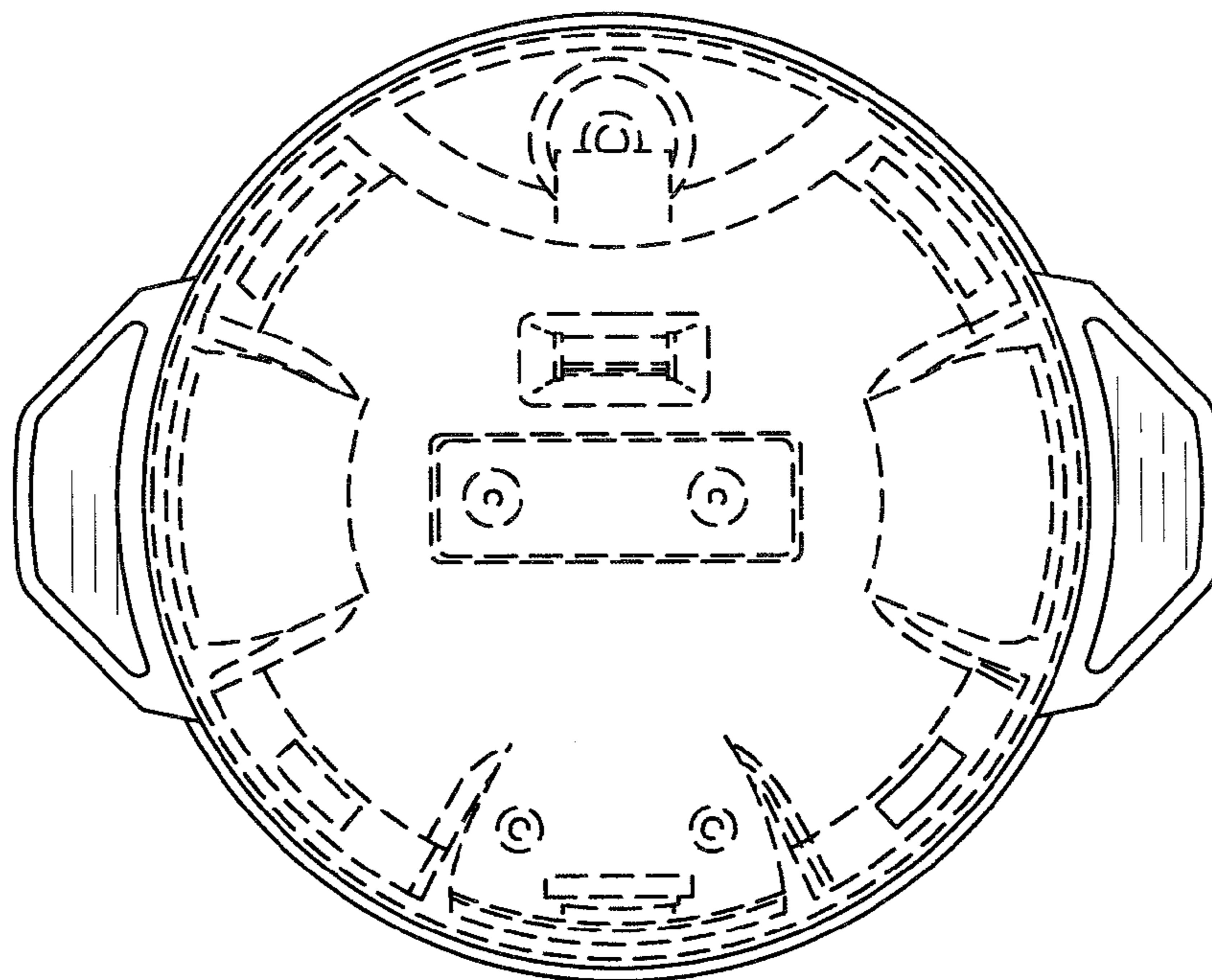


FIG. 7