



US00D593350S

(12) **United States Design Patent**
Moir et al.

(10) **Patent No.:** **US D593,350 S**
(45) **Date of Patent:** **** Jun. 2, 2009**

(54) **HOLLOW CORE PILLOW**

OTHER PUBLICATIONS

(76) Inventors: **Erica A. Moir**, 2518 N. Spurgeon St.,
Sanata Ana, CA (US) 92706; **Ian P. A. Scali**, 317 E. G St., Ontario, CA (US)
91764; **Kevin I. McCarthy**, 1125 205th
Ave. NE., Sammamish, WA (US) 98074;
Bryan D. Huff, 1400 Pinnacle Ct., #115,
Point Richmond, CA (US) 94801;
Stephanie Didier, 1412 blvd. Benoit
XV, Quebec (CA) G1L 2Z2

Jacuzzi—Trademark Ser. 77201895, filed Nov. 20, 2007, Jacuzzi inc.
Corporate Delaware, Trademark Electronic Service System (TESS),
available at www.uspto.gov.*

* cited by examiner

Primary Examiner—Caron Veynar
Assistant Examiner—Mary Ann Calabrese
(74) *Attorney, Agent, or Firm*—The Webb Law Firm

(**) Term: **14 Years**

The ornamental design for a hollow core pillow, as shown and
described.

(21) Appl. No.: **29/268,243**

(22) Filed: **Oct. 31, 2006**

DESCRIPTION

(51) **LOC (9) Cl.** **06-09**
(52) **U.S. Cl.** **D6/601**
(58) **Field of Classification Search** D6/595,
D6/596, 601, 604, 606; 5/630, 632, 636,
5/640, 652, 653, 655, 655.3–655.5, 655.7,
5/655.9, 656; D21/804, 502; D24/183, 215;
D30/107, 118; 4/559, 571.1, 575.1; 297/291.1,
297/219.12; 601/134

FIG. 1 is a front view of the hollow core pillow;
FIG. 2 is a rear perspective view thereof;
FIG. 3 is a front perspective view thereof from the left side;
FIG. 4 is a front perspective view thereof from the bottom;
FIG. 5 is a rear perspective view thereof from the top;
FIG. 6 is a front perspective view thereof from the bottom;
FIG. 7 is a rear perspective view of the pillow thereof from the
right;
FIG. 8 is a rear perspective view of the pillow at another
angle;
FIG. 9 is a left side view of the pillow;
The right side view is an identical image of the left side view
as shown in FIG. 9;
FIG. 10 is a top, front perspective view of the pillow; and,
FIG. 11 is a front, top perspective view of the pillow thereof
from the right.

See application file for complete search history.

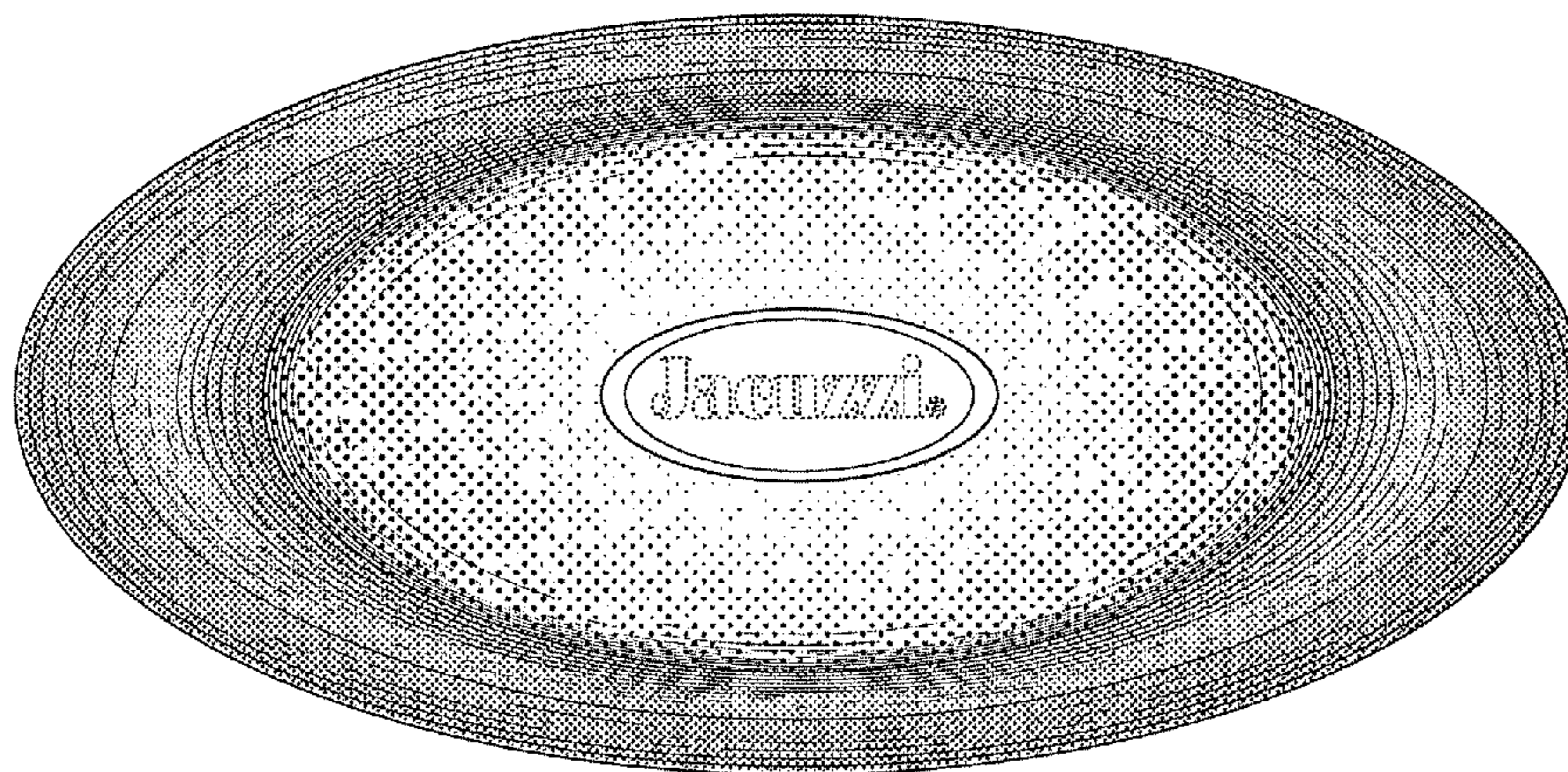
The name “Jacuzzi” does not form part of the invention.
The broken lines shown are included for the purpose of illus-
trating environment and form no part of the claimed design.
The stippling shown in the drawings represents surface tex-
ture.

(56) **References Cited**

U.S. PATENT DOCUMENTS

2,933,738	A *	4/1960	Whelan	5/630
3,158,878	A *	12/1964	Pernell	5/630
D231,786	S *	6/1974	Burnley	D30/107
3,987,507	A *	10/1976	Hall	5/653
4,210,134	A *	7/1980	Okazaki et al.	601/134
D257,365	S *	10/1980	Gabriel	D21/502
4,768,246	A *	9/1988	Summer	5/640
D319,105	S *	8/1991	Cheng	D24/215
5,408,714	A *	4/1995	Lemke	5/653
7,252,330	B2 *	8/2007	Lincoln	297/219.12
2005/0015032	A1 *	1/2005	Stein	601/131

1 Claim, 11 Drawing Sheets



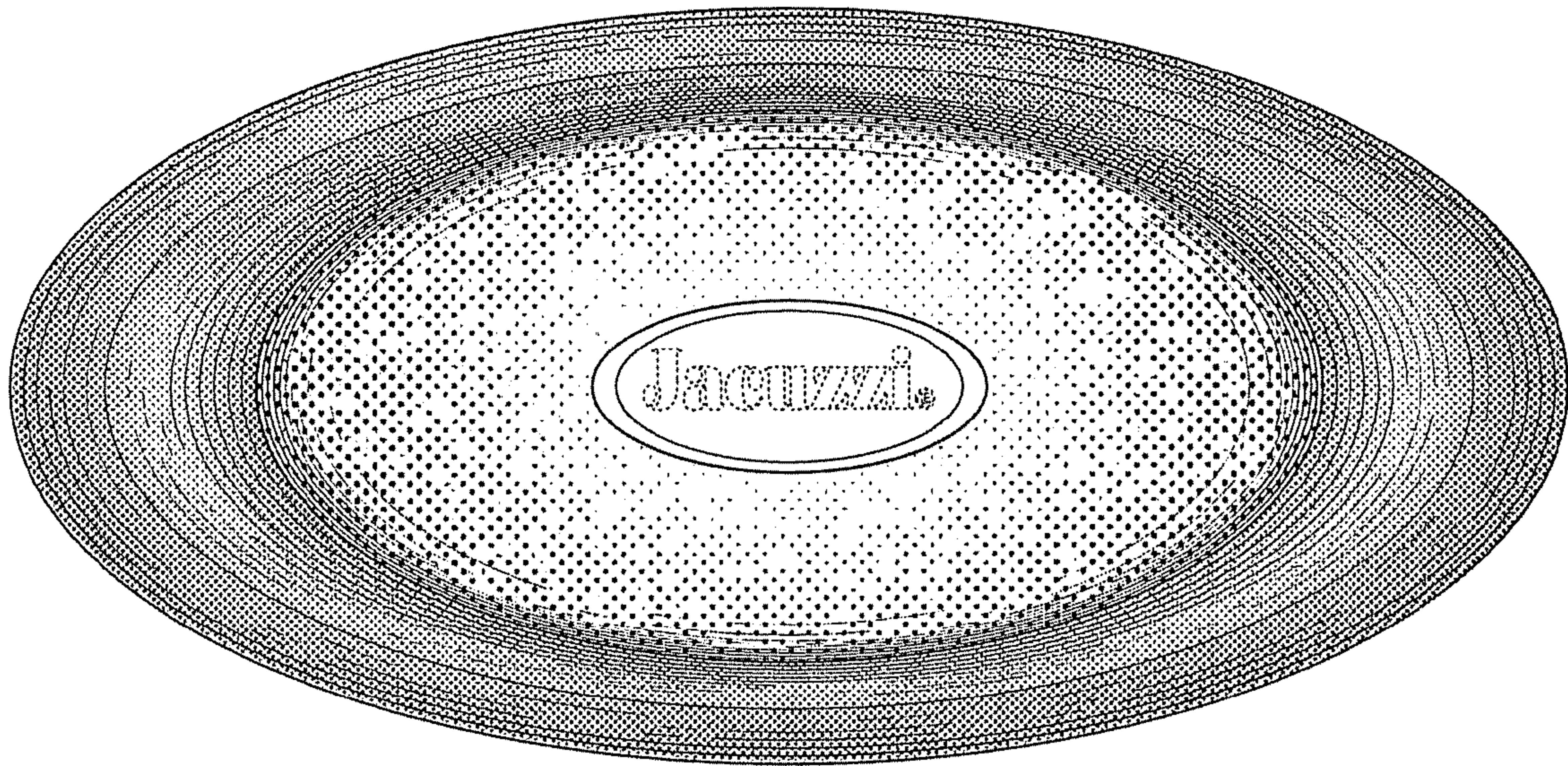


FIG. 1

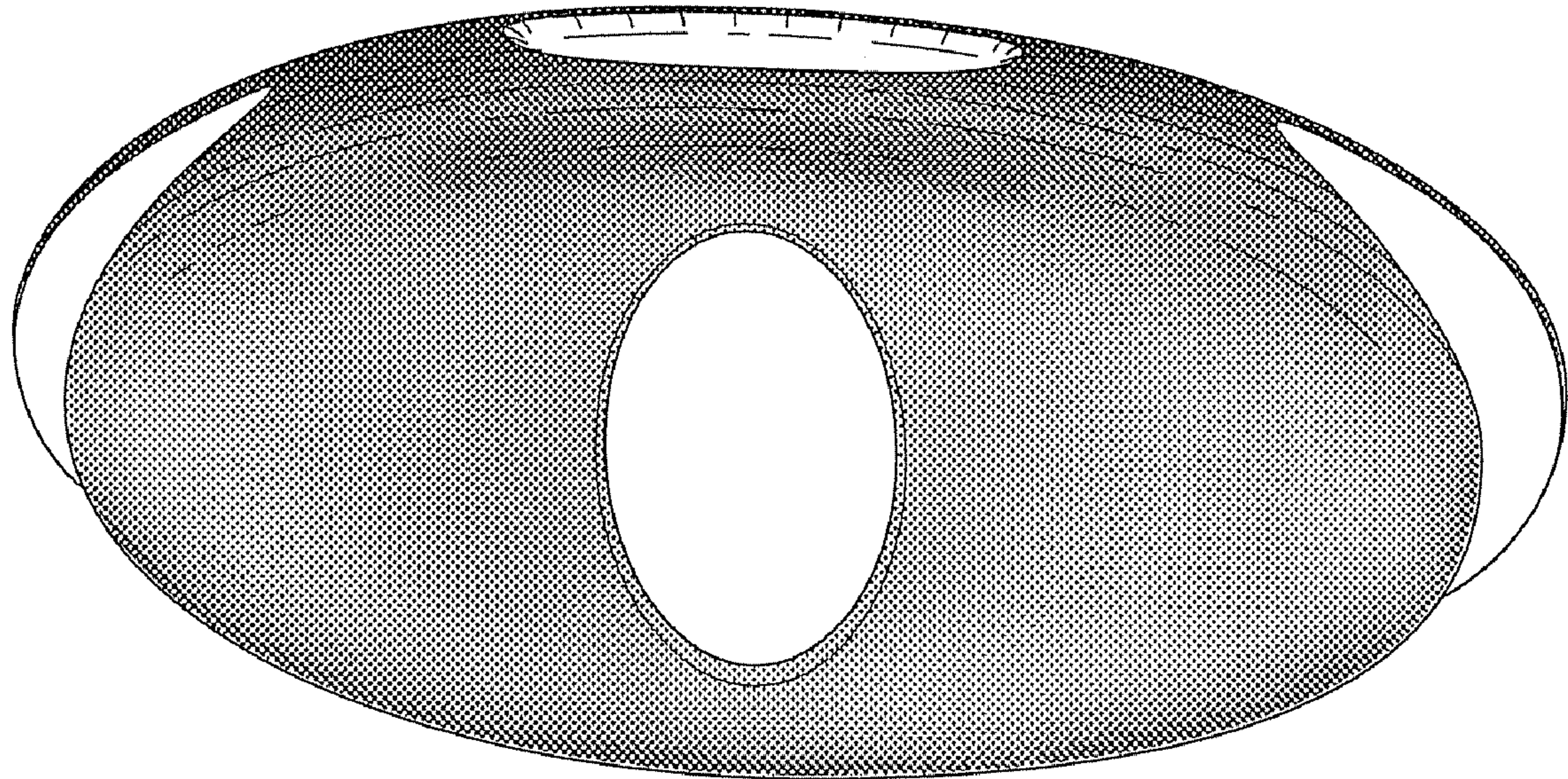


FIG. 2

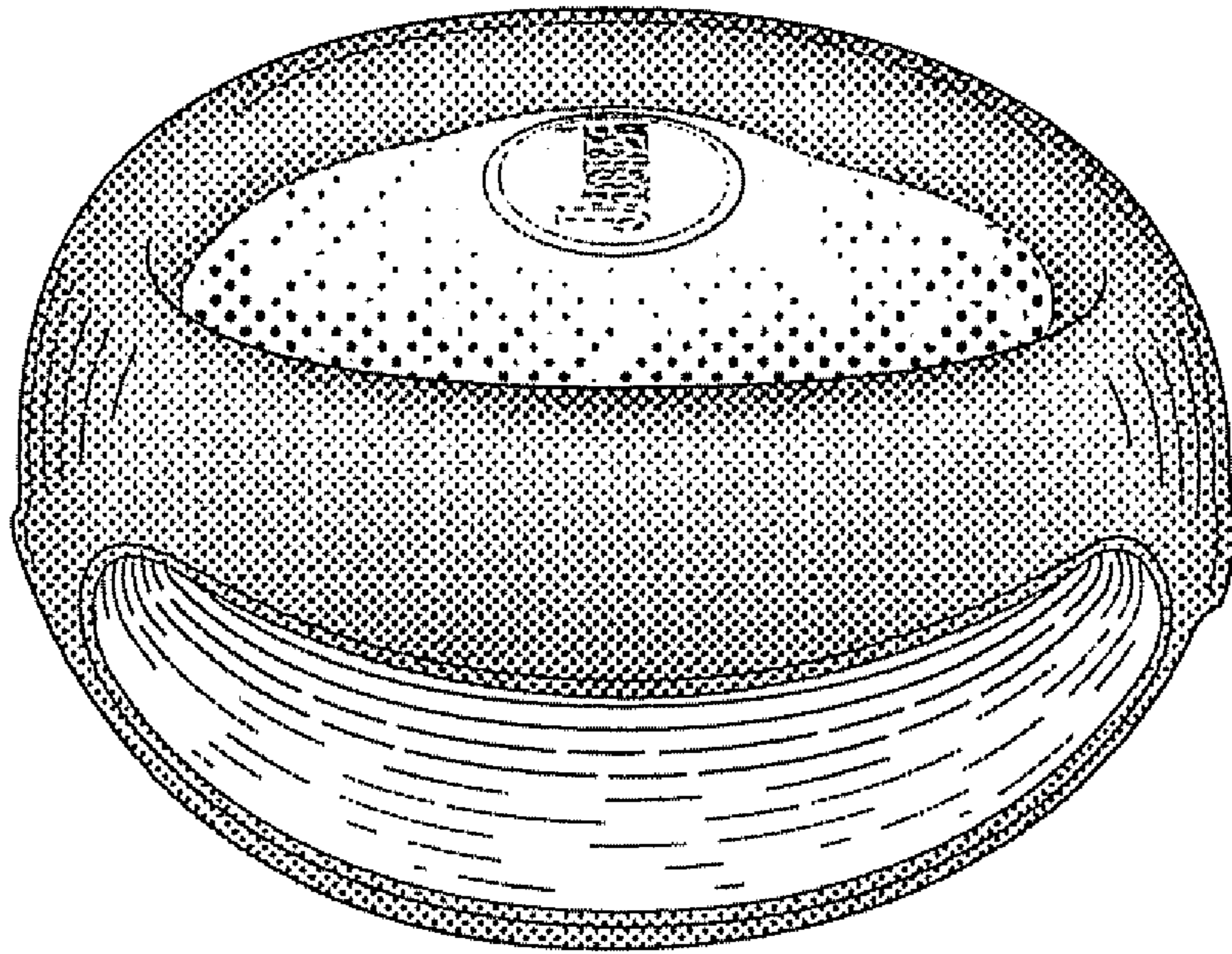


FIG. 3

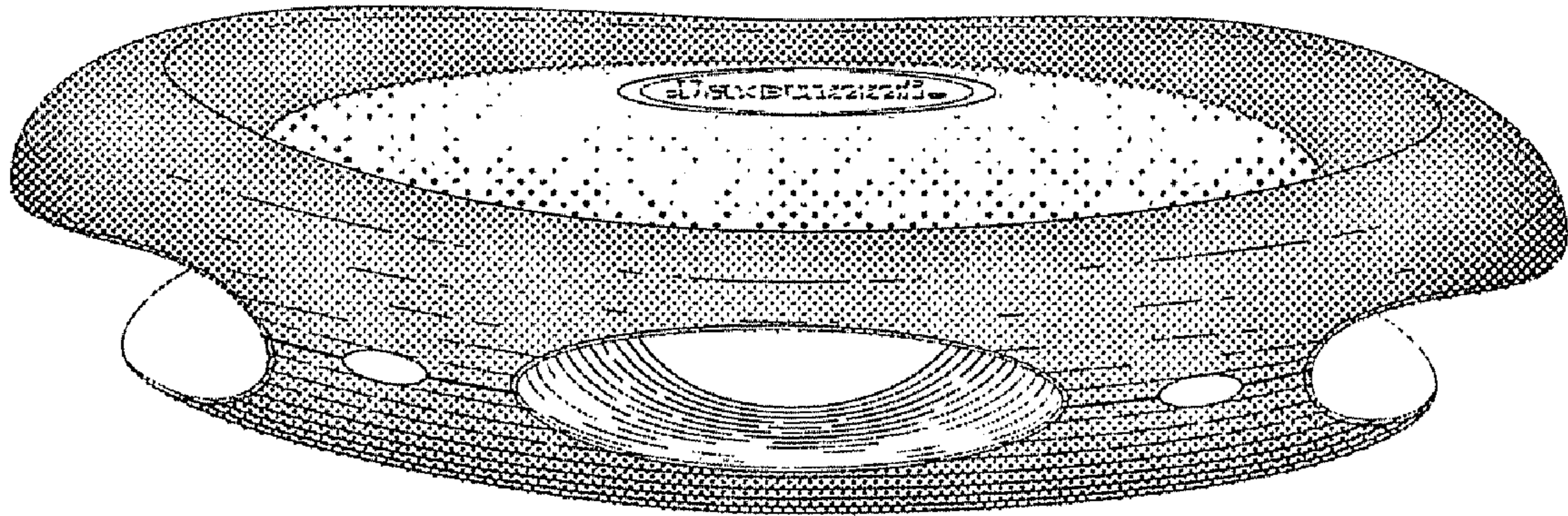


FIG. 4

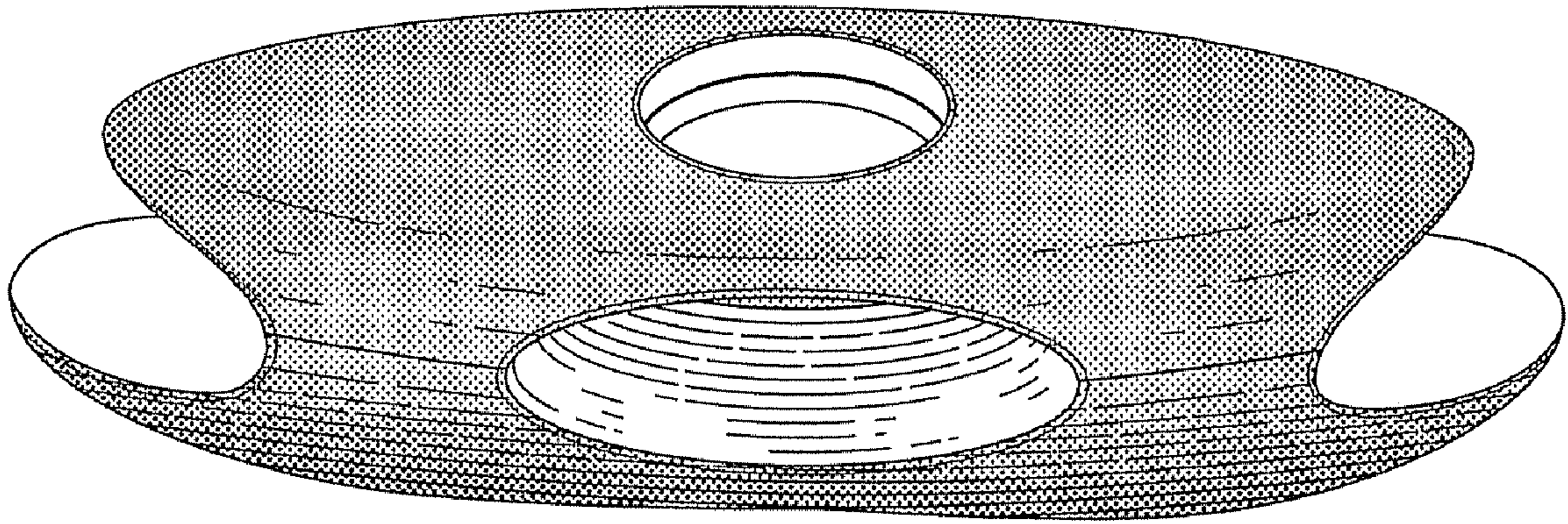


FIG. 5

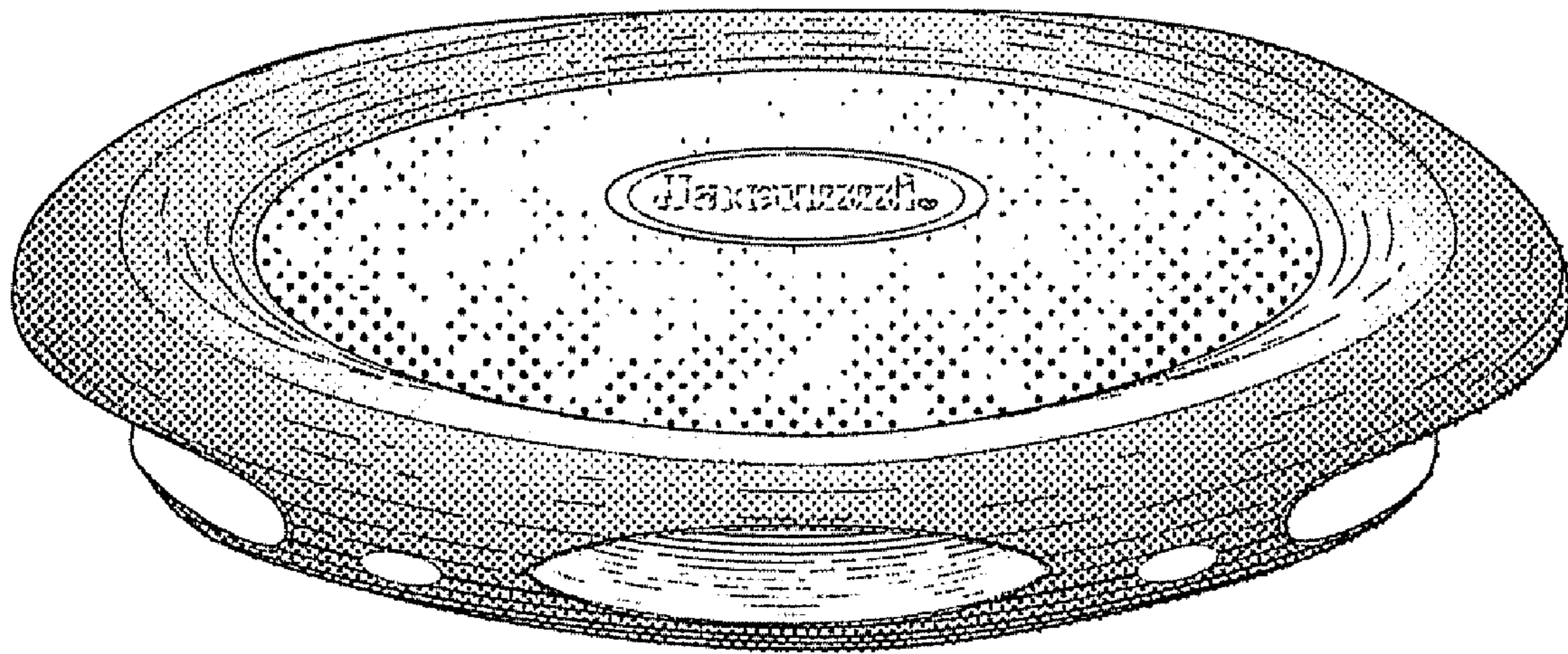


FIG. 6

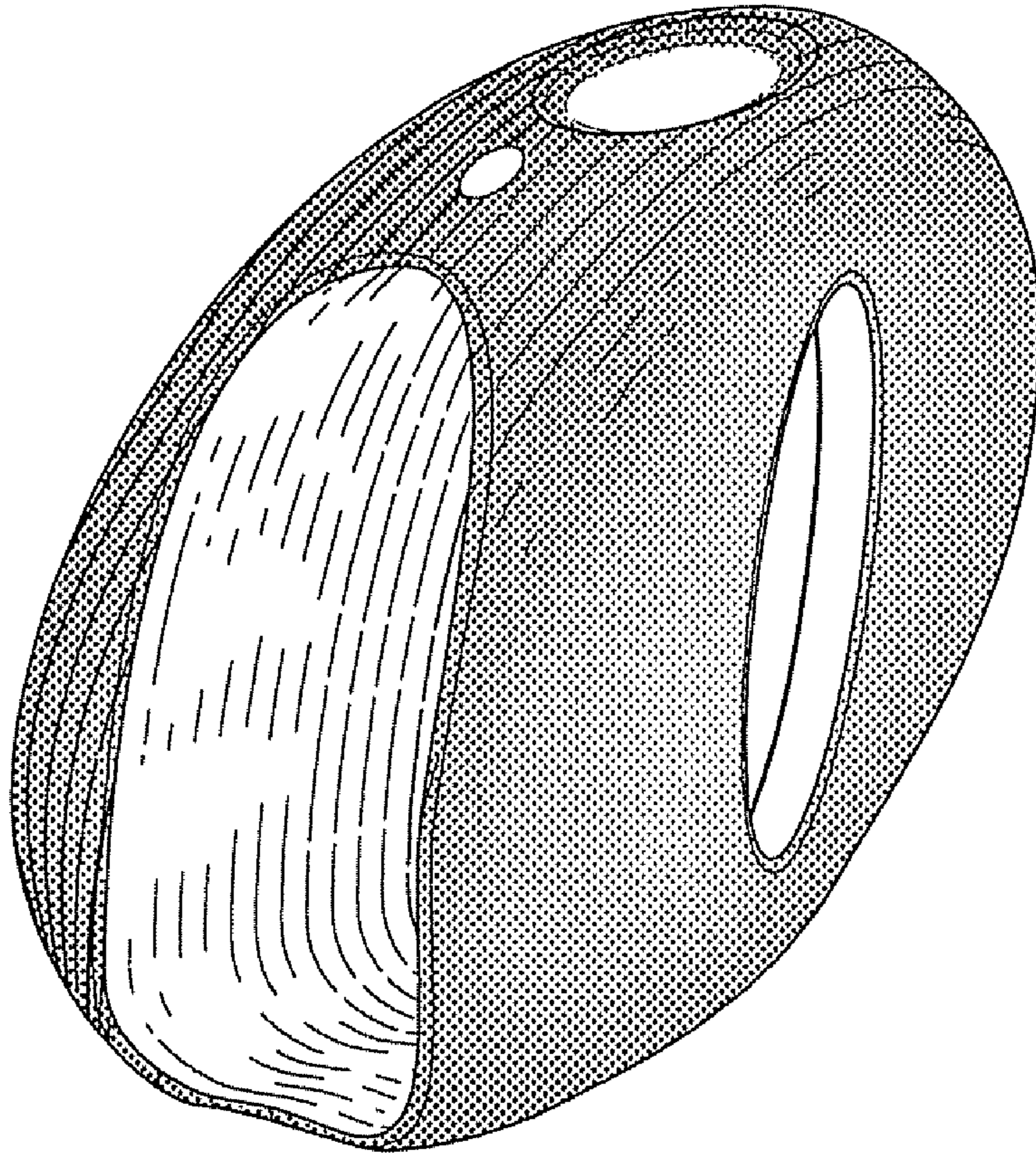


FIG. 7

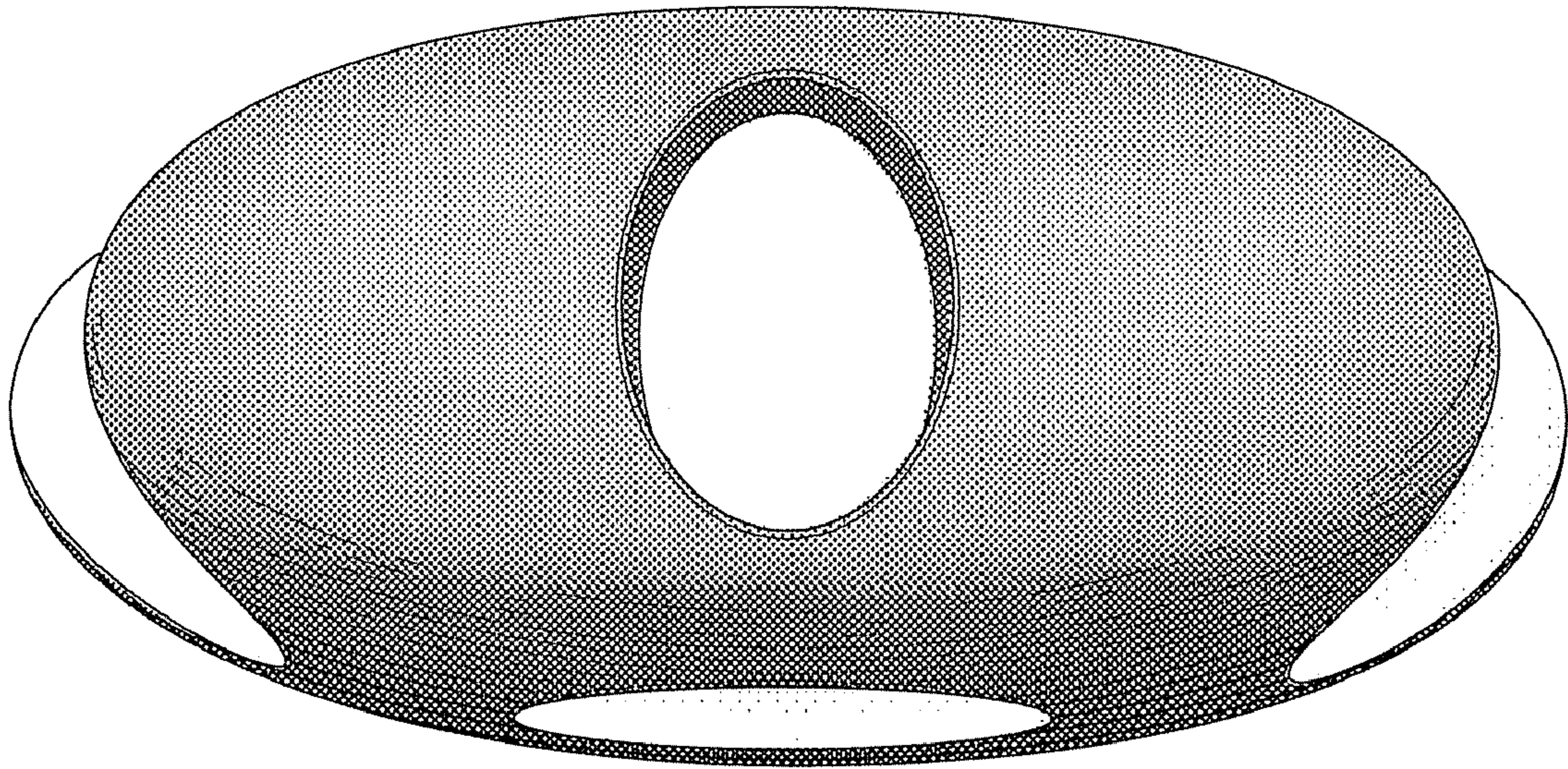


FIG. 8

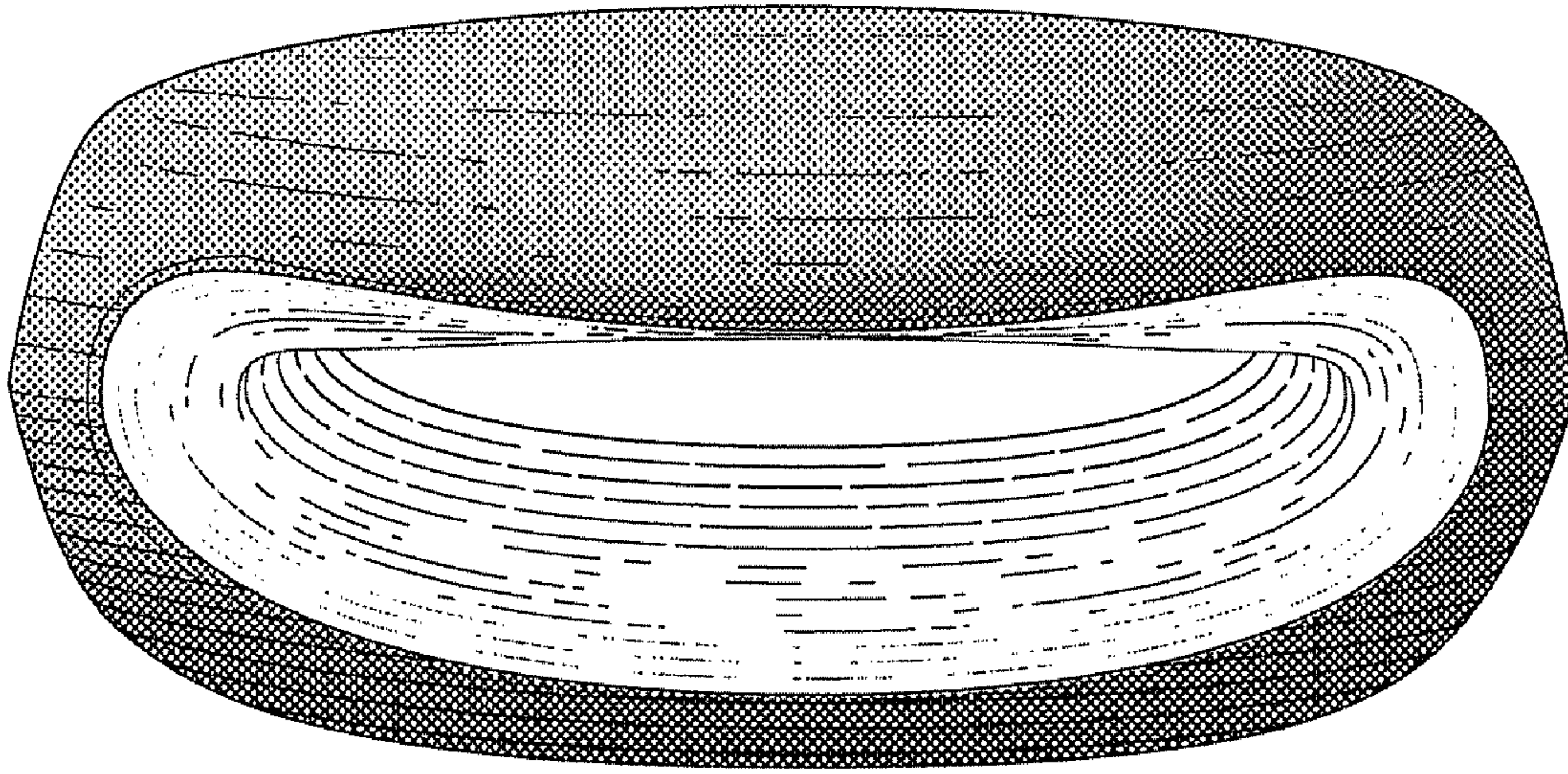


FIG. 9

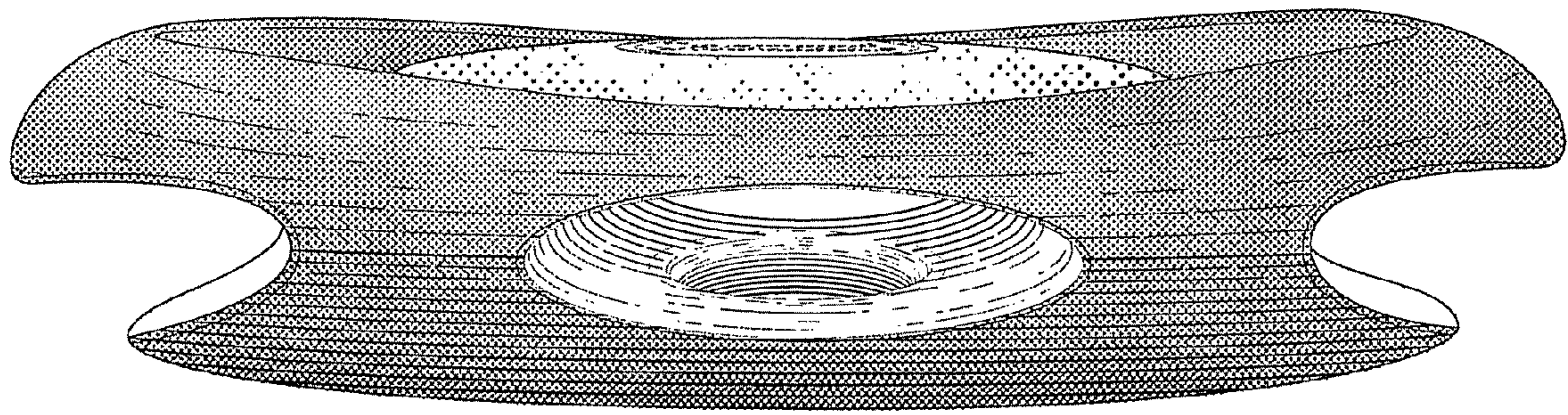


FIG. 10

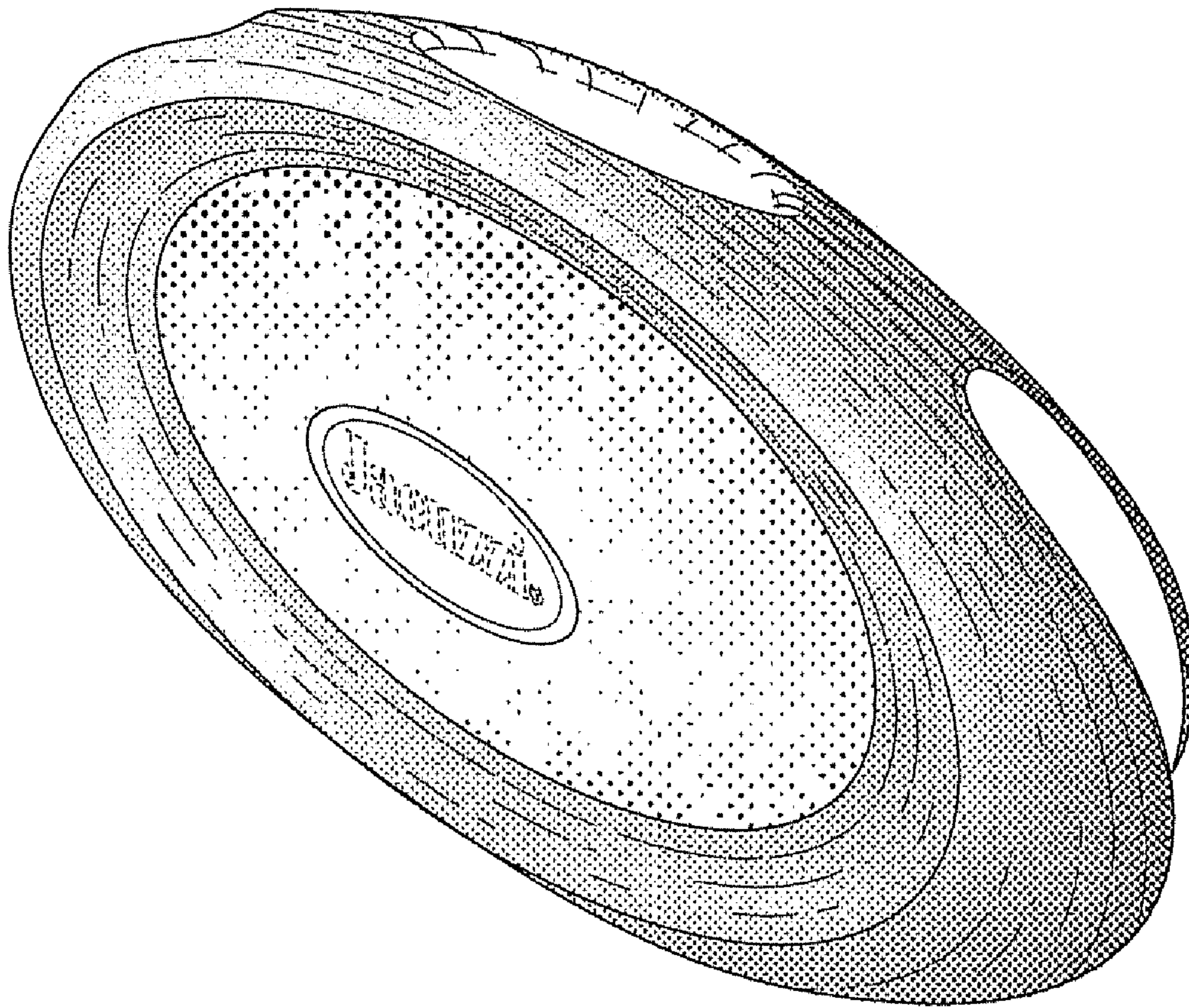


FIG. 11

UNITED STATES PATENT AND TRADEMARK OFFICE
CERTIFICATE OF CORRECTION

PATENT NO. : Des. 593,350 S
APPLICATION NO. : 29/268243
DATED : June 2, 2009
INVENTOR(S) : Moir et al.

Page 1 of 1

It is certified that error appears in the above-identified patent and that said Letters Patent is hereby corrected as shown below:

Title Page: See Item (76) Inventors, line 2, "Sanata Ana, CA" should read

-- Santa Ana, CA --

Title Page: See Item (76) Inventors, line 6, "1400 Pnnacle Ct." should read

-- 1400 Pinnacle Ct. --

Signed and Sealed this

Twenty-second Day of September, 2009



David J. Kappos
Director of the United States Patent and Trademark Office