



US00D593348S

(12) **United States Design Patent**
Dunn

(10) **Patent No.:** **US D593,348 S**
(45) **Date of Patent:** **** Jun. 2, 2009**

(54) **DECORATIVE PULL**

D577,240 S * 9/2008 Francis D6/581

(76) Inventor: **Kelly Frances Dunn**, 6100 Fairview Rd., Suite 1135, Charlotte, NC (US) 28210

* cited by examiner

Primary Examiner—Robert M. Spear

Assistant Examiner—Barbara B Lohr

(74) *Attorney, Agent, or Firm*—Schwartz Law Firm, P.C.

(**) Term: **14 Years**

(21) Appl. No.: **29/288,503**

(57) **CLAIM**

(22) Filed: **Jun. 13, 2007**

I claim the ornamental design for a decorative pull, as shown and described.

(51) **LOC (9) Cl.** **06-10**

(52) **U.S. Cl.** **D6/581; D6/580**

(58) **Field of Classification Search** D6/580, D6/581; D11/3, 11, 13, 79, 228; D2/789, D2/790, 810, 811, 818; D21/400; 87/12; 16/428; 340/7.61; 24/3.5, 265 R; 63/3, 63/3.1, 3.2, 35, 38, 40; 29/433, 896.4; 59/80; 422/123; 600/38, 551; D10/32; 220/713; 224/182; 381/370; 450/1; 351/52

See application file for complete search history.

DESCRIPTION

FIG. 1 is a front view of the decorative pull with a portion of the pull string shown in phantom, the pull string forming no part of the claimed design; and the back view of the decorative pull being a mirror image thereof;

FIG. 2 is a right side view of the decorative pull with a portion of the pull string shown in phantom, the pull string forming no part of the claimed design; and the left side view of the decorative pull being a mirror image thereof;

FIG. 3 is a bottom view of the decorative pull;

FIG. 4 is a top view of the decorative pull with a portion of the pull string shown in phantom, the pull string forming no part of the claimed design; and,

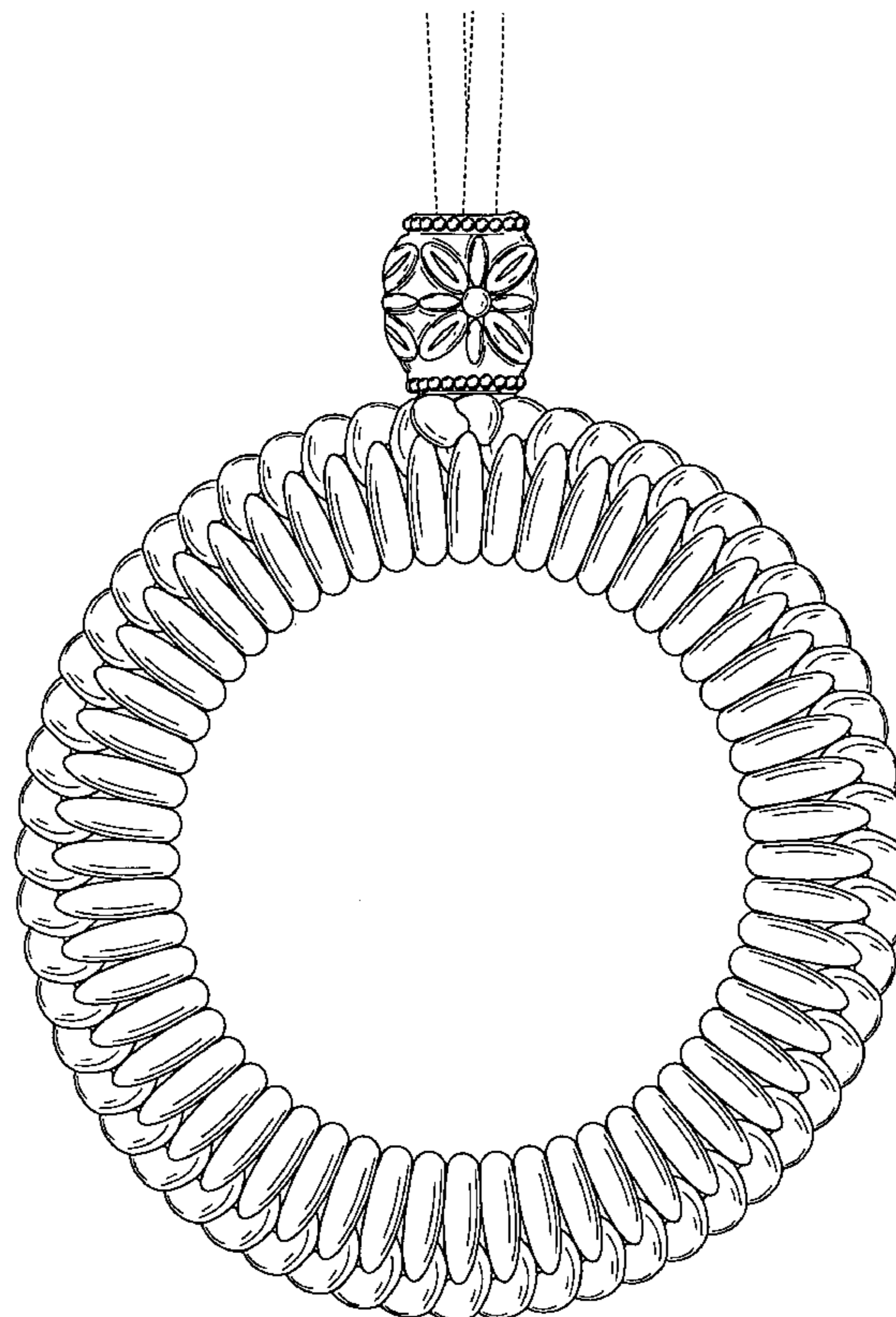
FIG. 5 is a perspective view of the decorative pull with an attic door and pull string shown in phantom, the attic door and pull string forming no part of the claimed design.

(56) **References Cited**

U.S. PATENT DOCUMENTS

D13,622 S *	2/1883	Dreyfus	D6/581
D15,394 S *	9/1884	Turner	D6/581
373,982 A *	11/1887	Jackson	87/12
1,686,297 A *	10/1928	Trimble	16/428
D92,601 S *	6/1934	Huthsing	D6/581
D186,711 S *	11/1959	Weisman	D6/581
D198,456 S *	6/1964	Saccoccio	D6/581

1 Claim, 4 Drawing Sheets



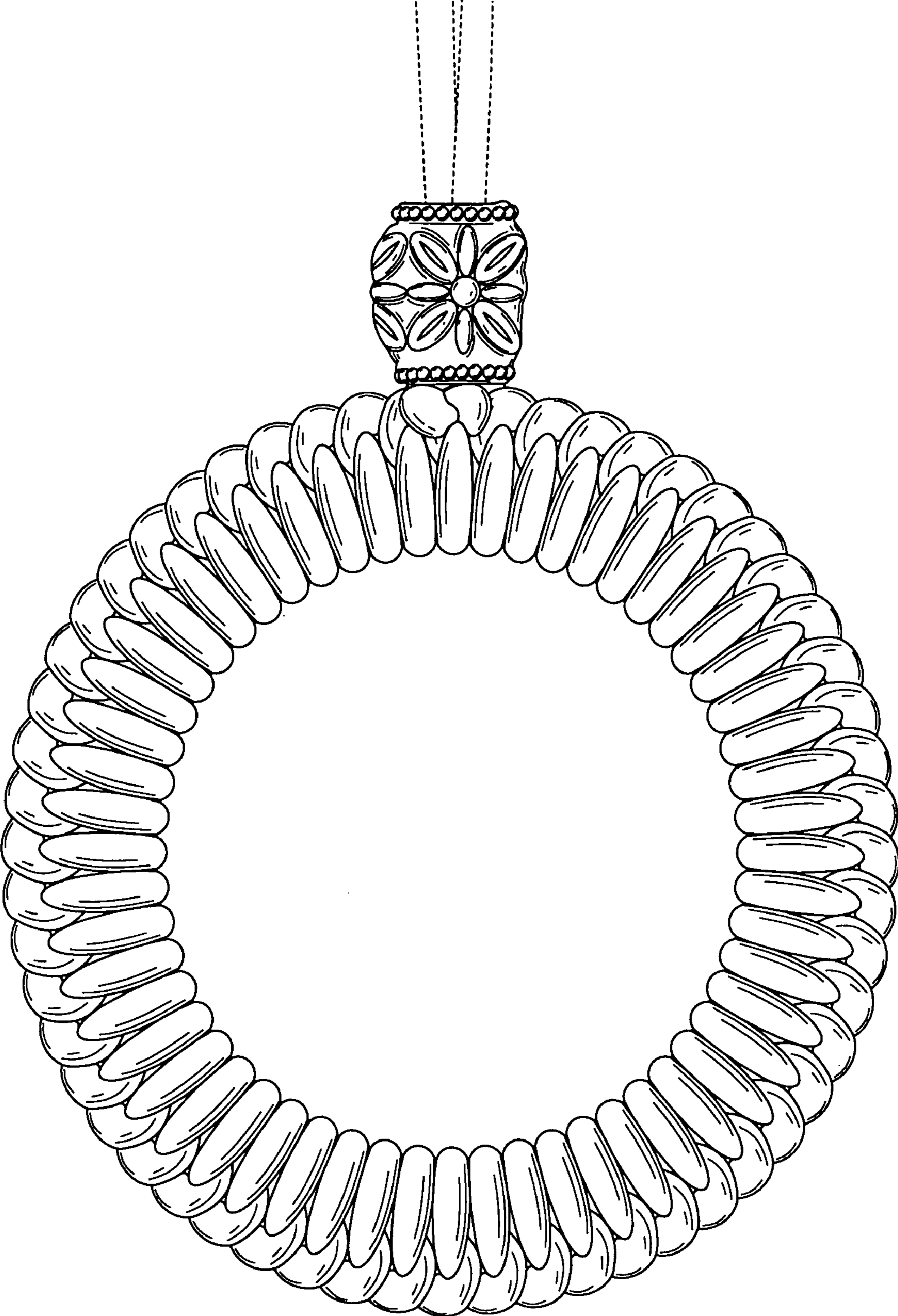


FIG. 1

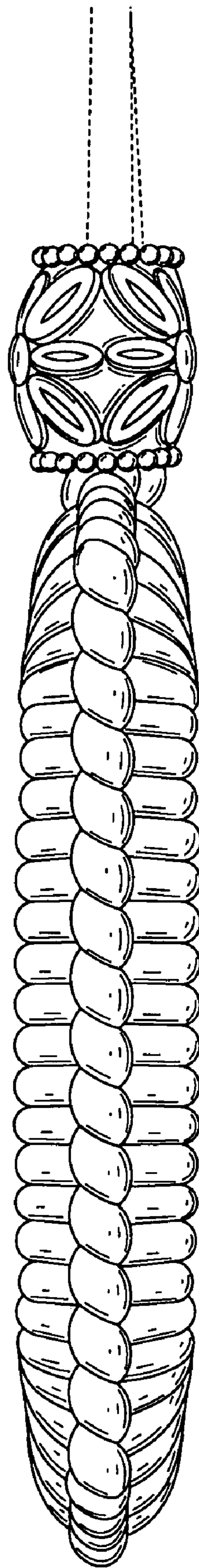


FIG. 2

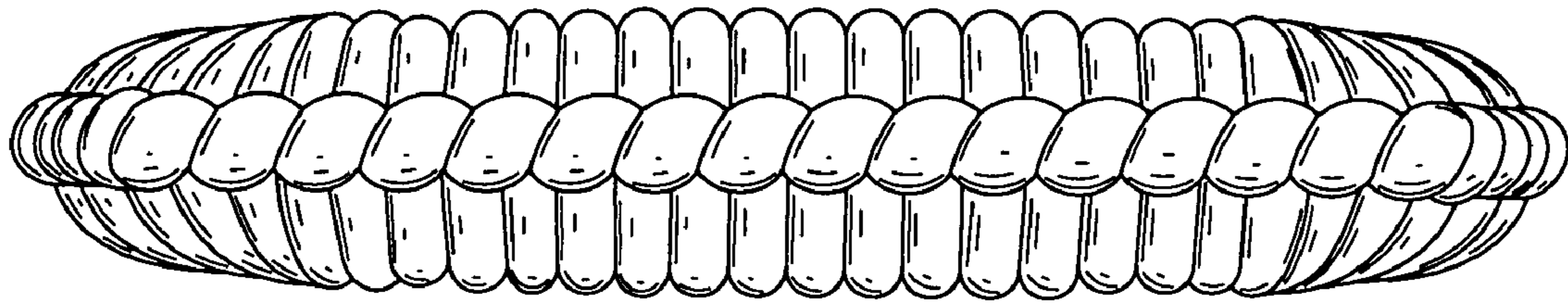


FIG. 3

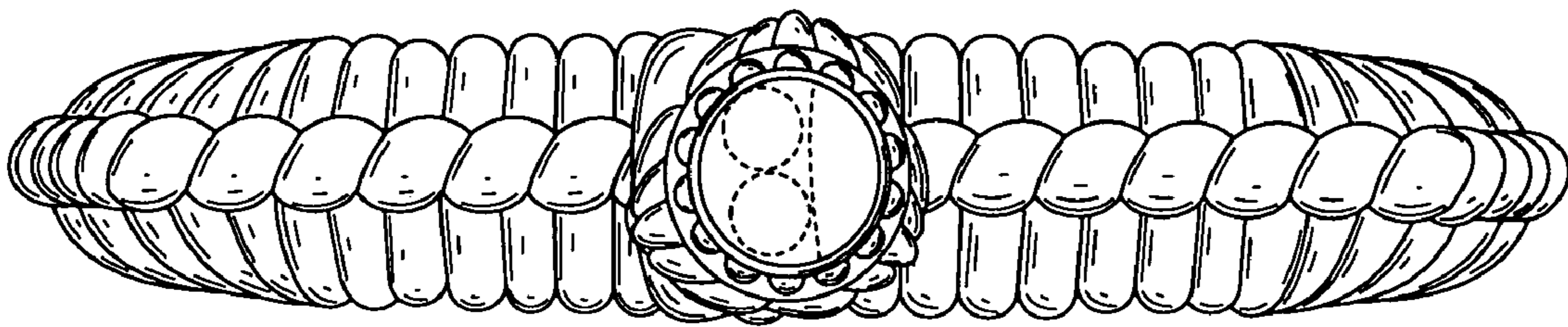


FIG. 4

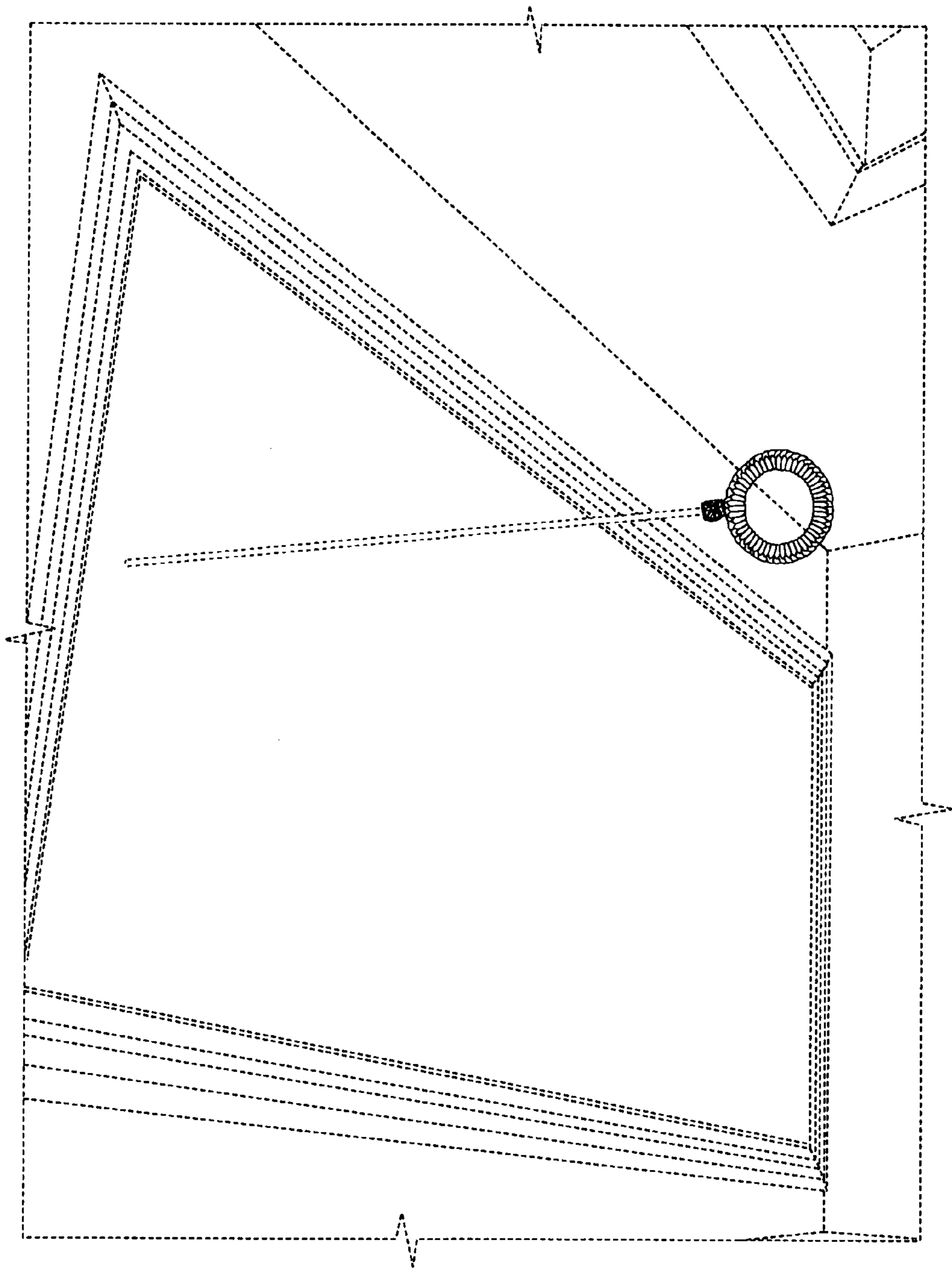


FIG. 5