



US00D593346S

(12) **United States Design Patent**
Thompson

(10) **Patent No.:** **US D593,346 S**
(45) **Date of Patent:** **** Jun. 2, 2009**

(54) **DINING CHAIR COMPONENT**

(75) Inventor: **David W. Thompson**, New Albany, OH
(US)

(73) Assignee: **American Signature, Inc.**, Columbus,
OH (US)

(**) Term: **14 Years**

(21) Appl. No.: **29/322,705**

(22) Filed: **Aug. 10, 2008**

(51) **LOC (9) Cl.** **06-01**

(52) **U.S. Cl.** **D6/502**

(58) **Field of Classification Search** D6/334-336,
D6/371, 372, 373, 374, 375, 376, 379, 380,
D6/500-502; 297/239, 445.1, 446.1, 447.3,
297/448.2, 451.3, 451.7

See application file for complete search history.

(56) **References Cited**

U.S. PATENT DOCUMENTS

D383,009 S *	9/1997	Piretti	D6/372
D408,642 S *	4/1999	Piretti	D6/373
D411,772 S *	7/1999	Piretti	D6/374
D413,029 S *	8/1999	Caruso	D6/374
D414,620 S *	10/1999	Kadayan	D6/380

D521,264 S *	5/2006	Ware et al.	D6/374
D542,553 S *	5/2007	Peitz et al.	D6/374
D544,236 S *	6/2007	Swy et al.	D6/380
D574,624 S *	8/2008	Bartlmae	D6/374
D577,935 S *	10/2008	Lin et al.	D6/502

* cited by examiner

Primary Examiner—Mimosa De

(74) *Attorney, Agent, or Firm*—Wood, Herron & Evans,
L.L.P.

(57) **CLAIM**

The ornamental design for a dining chair component, as shown and described.

DESCRIPTION

FIG. 1 is a front elevational view of my new design.

FIG. 2 is a rear elevational view thereof.

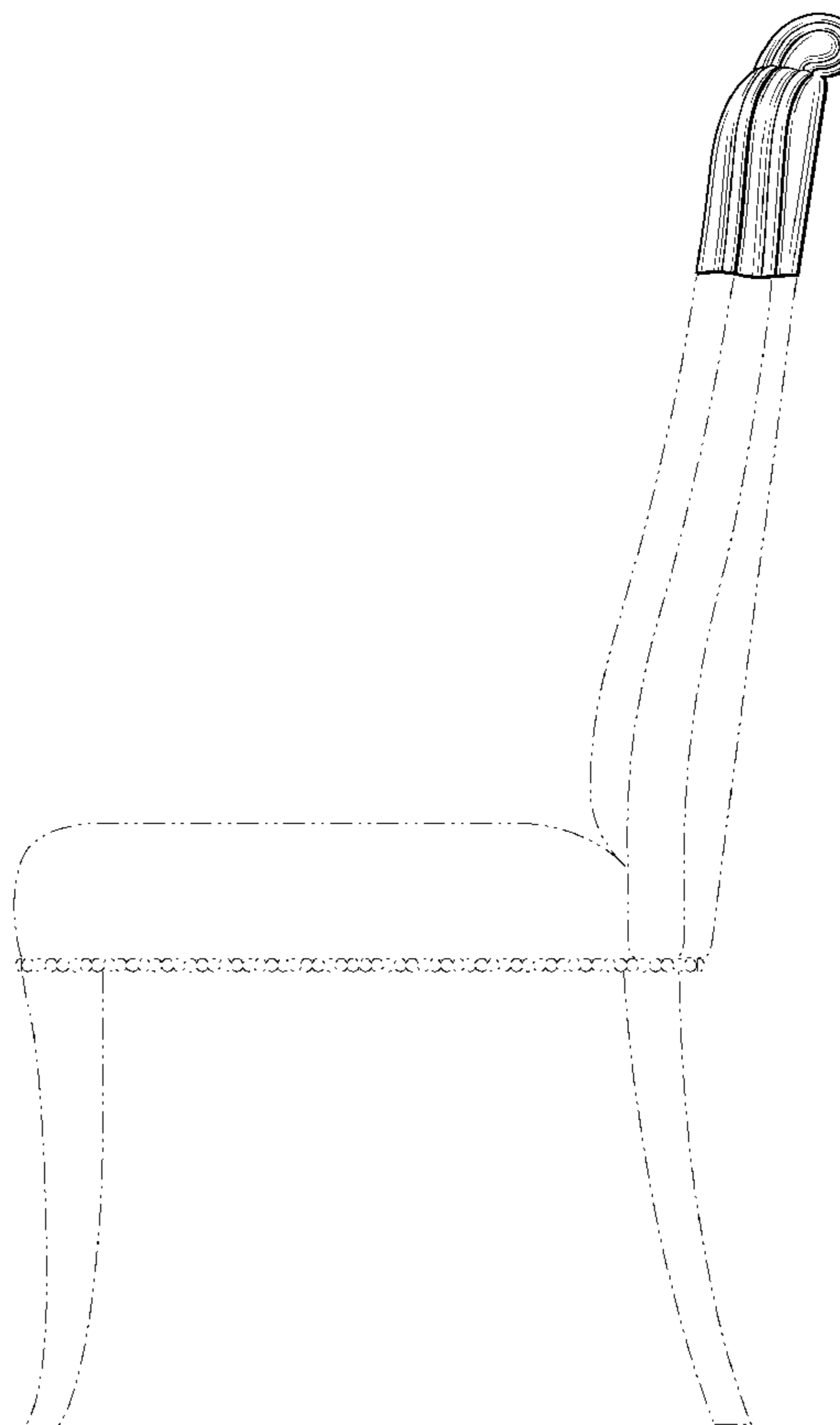
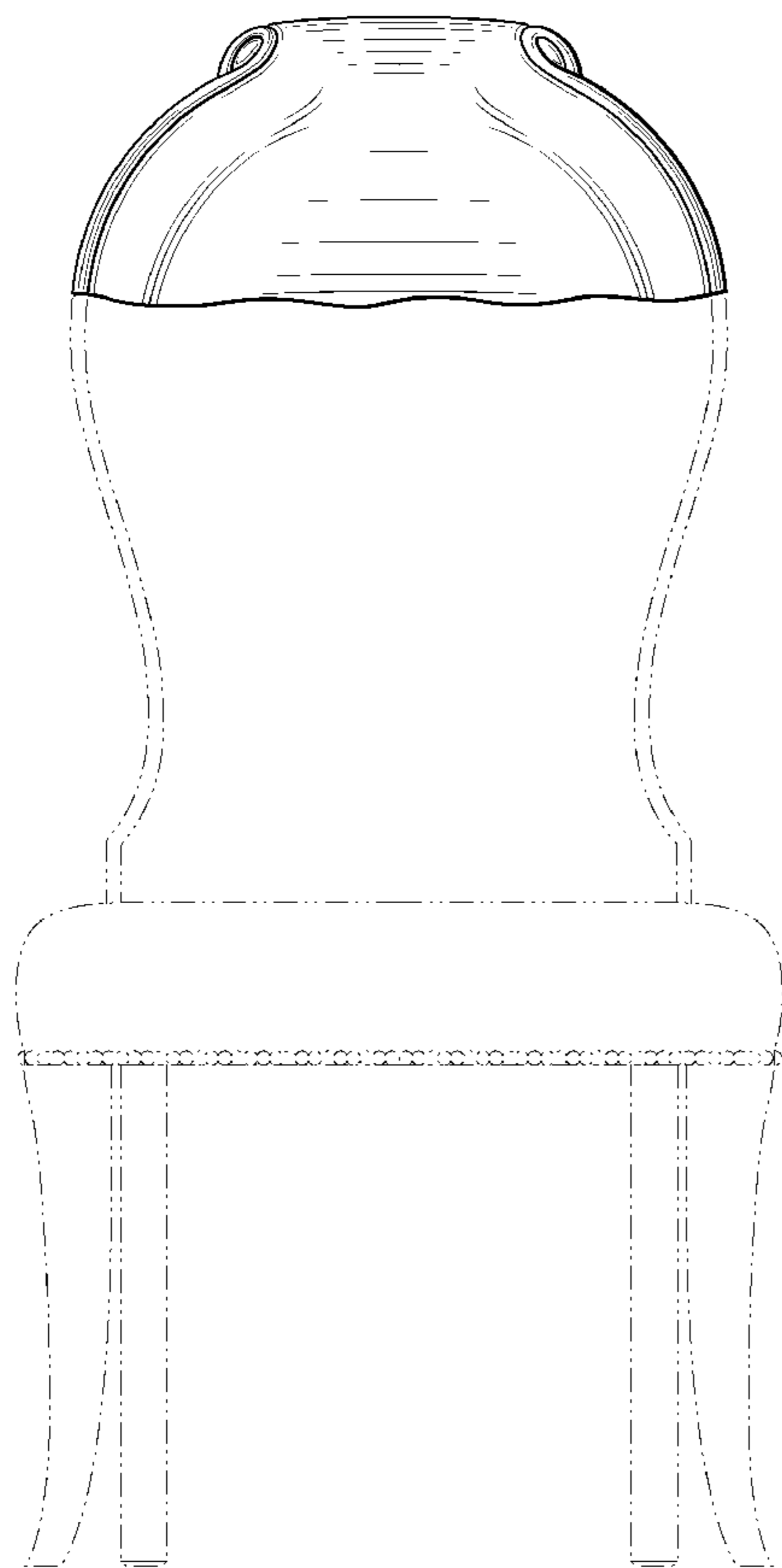
FIG. 3 is a right side elevational view thereof, the left side elevational view being a mirror image thereof.

FIG. 4 is a top plan view thereof; and,

FIG. 5 is a bottom plan view thereof.

The broken lines in FIGS. 1, 2 and 3 are for illustrative purposes only and form no part of the claimed dining chair component.

1 Claim, 4 Drawing Sheets



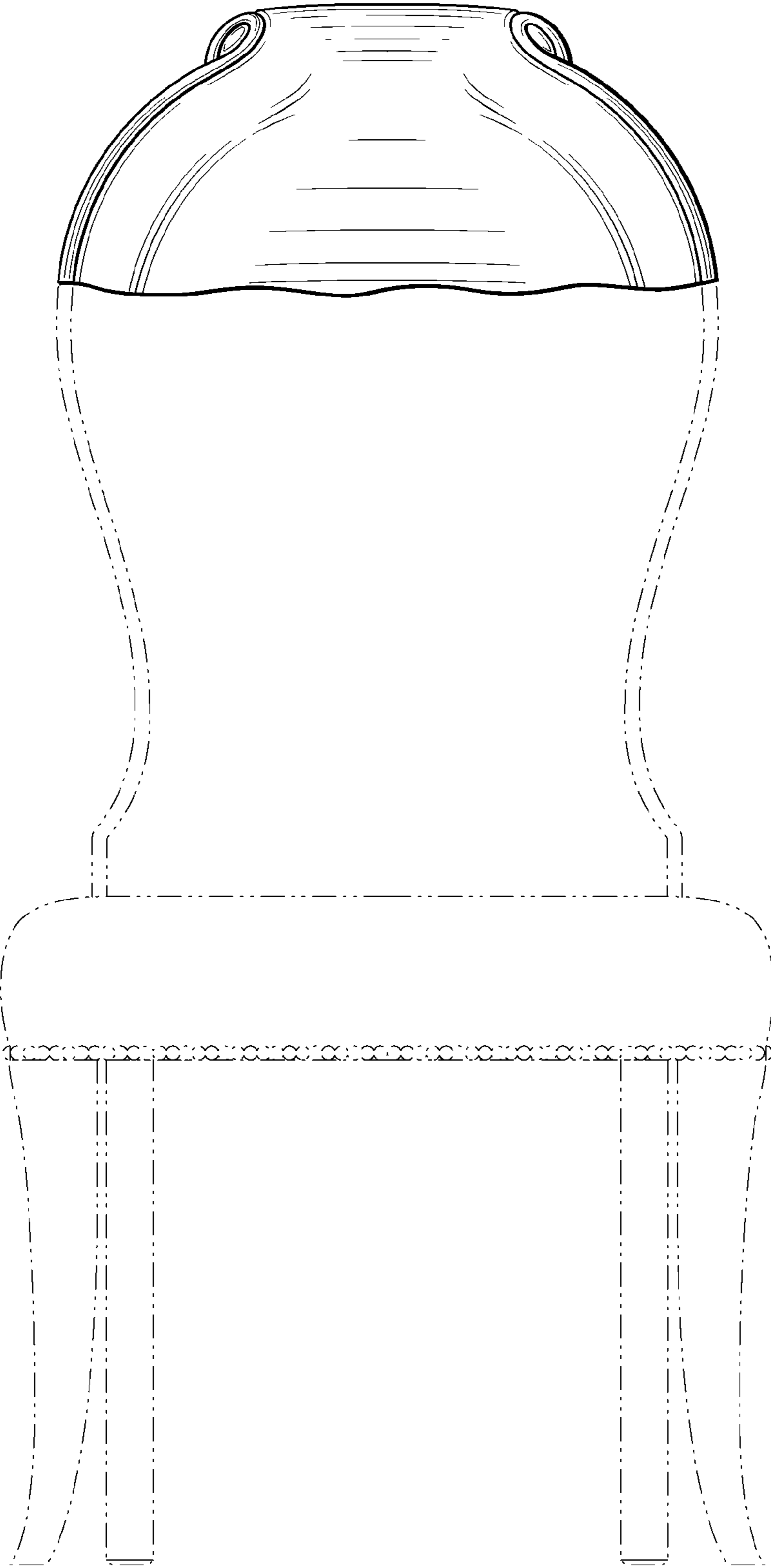


FIG. 1

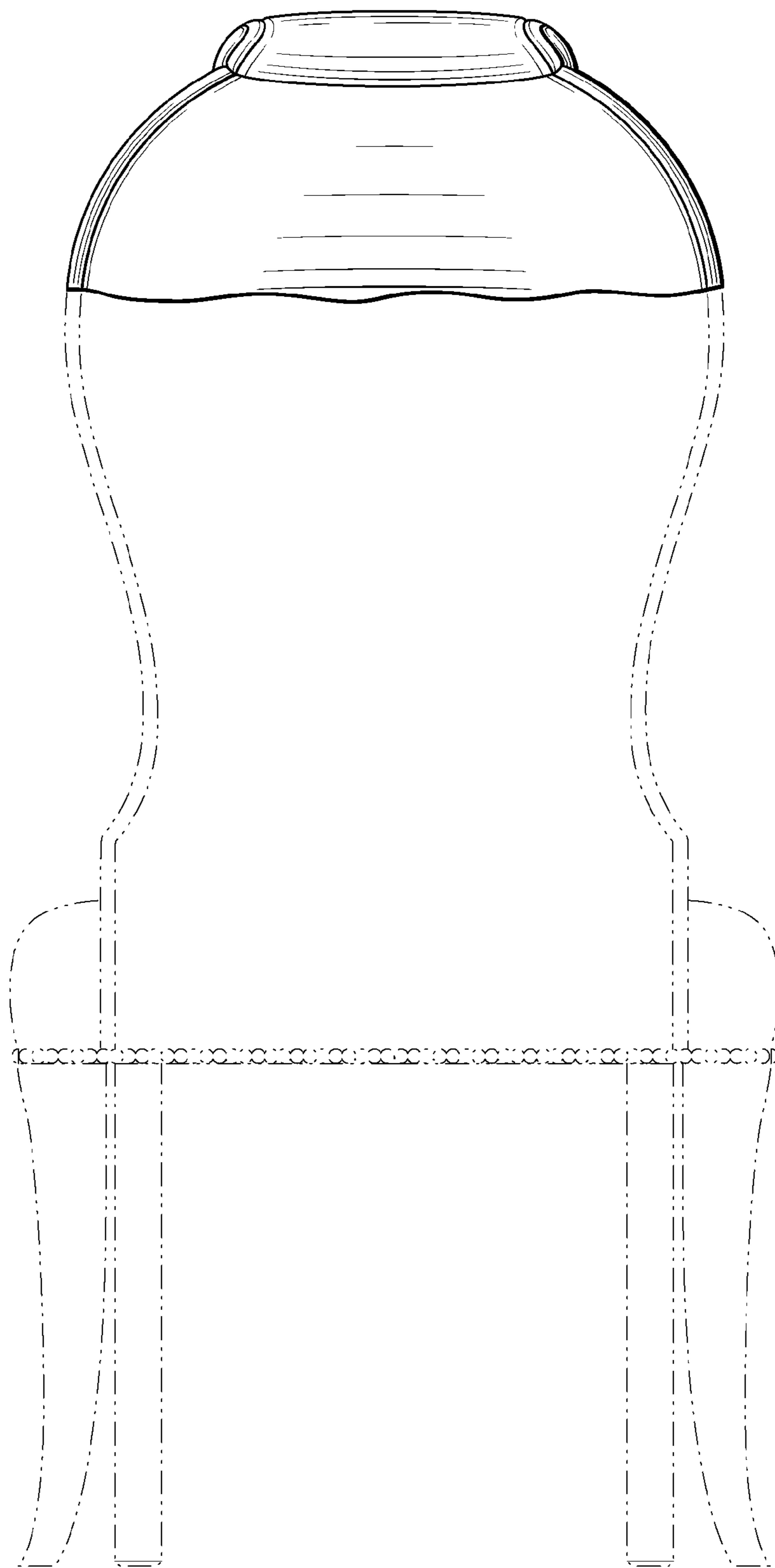


FIG. 2

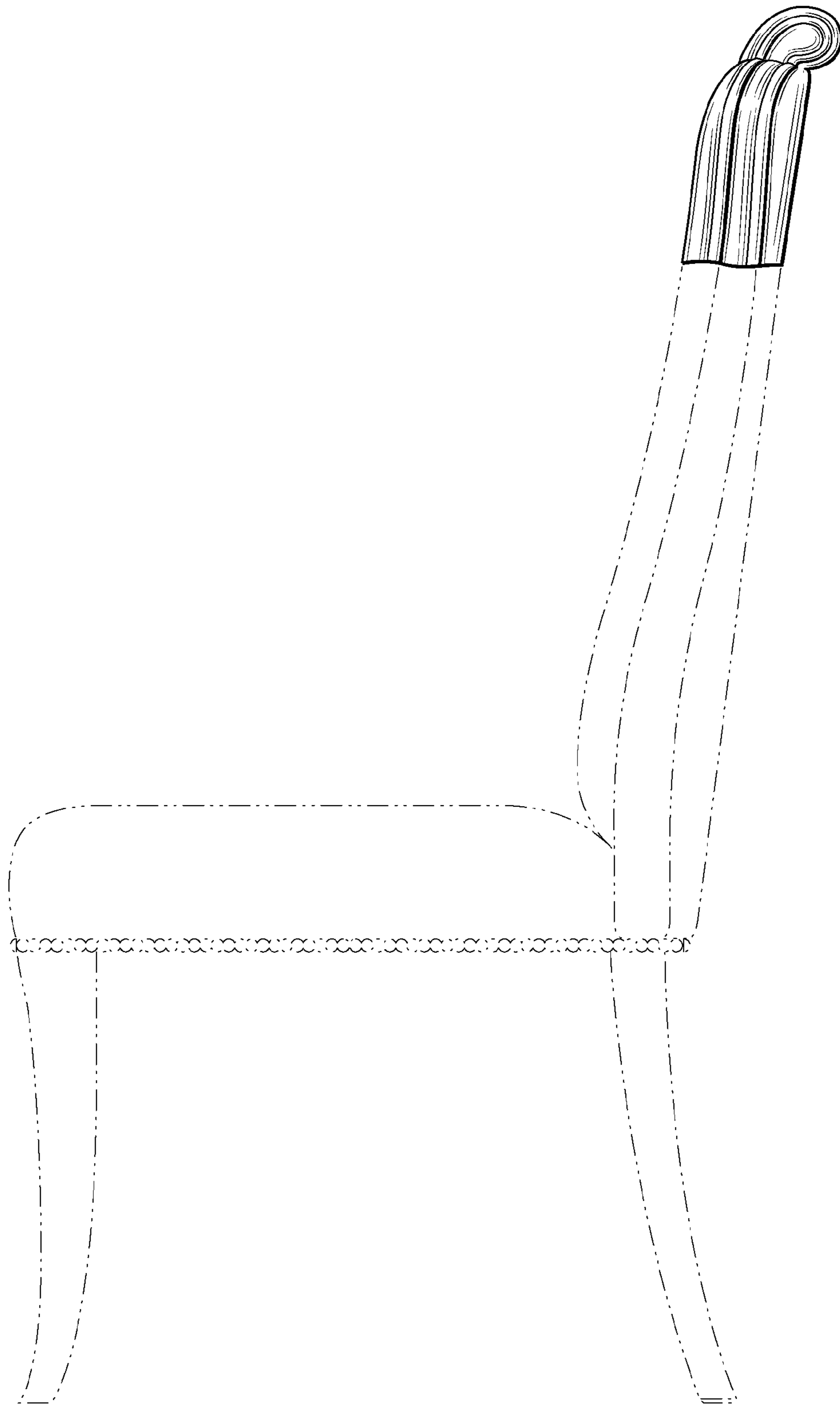


FIG. 3

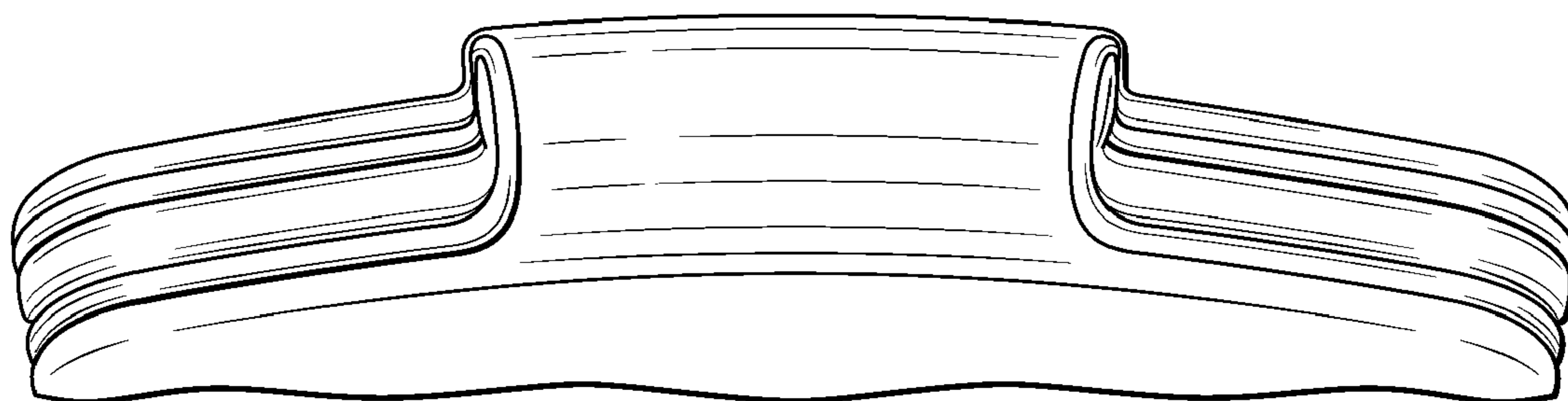


FIG. 4

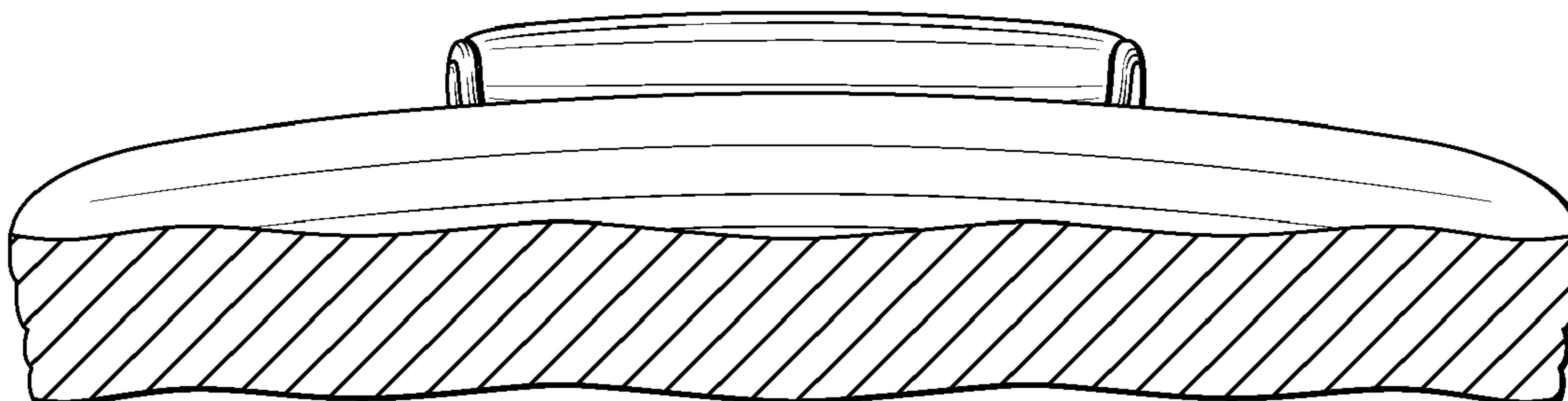


FIG. 5