

US00D593345S

(12) **United States Design Patent**
Schweikarth et al.

(10) **Patent No.:** **US D593,345 S**
(45) **Date of Patent:** **** Jun. 2, 2009**

(54) **TASK CHAIR BACKREST AND ARMREST ASSEMBLY**

(75) Inventors: **Derek Schweikarth**, Celestine, IN (US);
John Jakobson, Jasper, IN (US);
Meghan Smith, Jasper, IN (US); **Joe Moya**, Jasper, IN (US)

(73) Assignee: **Kimball International, Inc.**, Jasper, IN (US)

(**) Term: **14 Years**

(21) Appl. No.: **29/319,215**

(22) Filed: **Jun. 5, 2008**

(51) **LOC (9) Cl.** **06-01**

(52) **U.S. Cl.** **D6/502**

(58) **Field of Classification Search** D6/500-502,
D6/334-336, 358, 364-367, 370, 372-375,
D6/379; 297/411.2, 411.27, 411.28, 411.29,
297/411.36, 284.4, 452.3

See application file for complete search history.

(56) **References Cited**

U.S. PATENT DOCUMENTS

D277,143 S	1/1985	Helmboldt	
D296,735 S	7/1988	Hollington	
D300,189 S	3/1989	Frinier	
D300,588 S	4/1989	White	
D308,605 S	6/1990	Uecker et al.	
D320,507 S	10/1991	Shields	
D330,478 S	10/1992	Wogoman et al.	
D337,442 S	7/1993	Baker	
D338,785 S	8/1993	Lange	
D353,498 S	12/1994	Cox	
D354,634 S	1/1995	Scheper et al.	
D355,081 S	2/1995	Scheper	
D355,303 S	2/1995	Scheper et al.	
D379,408 S	5/1997	Feldberg	
D382,149 S	8/1997	Pimental et al.	
D385,425 S	10/1997	Goetz	
D390,384 S *	2/1998	Schultz et al. D6/500
D391,412 S	3/1998	James et al.	

D396,567 S	8/1998	Saul
D396,976 S	8/1998	Cronk
D400,018 S	10/1998	James et al.
D405,283 S	2/1999	James
D408,165 S	4/1999	Kemnitzer
D409,022 S	5/1999	Vanderwood et al.
D411,380 S	6/1999	Goodworth et al.
D411,395 S	6/1999	Edwards
D420,226 S	2/2000	Sabo
D427,793 S	7/2000	Groulx et al.
D429,910 S	8/2000	Starczewski
D433,384 S	11/2000	Wu
D433,834 S	11/2000	Neil

(Continued)

OTHER PUBLICATIONS

Bernardt product information, blitz, at least as early as Jun. 5, 2008.

(Continued)

Primary Examiner—Caron Veynar
Assistant Examiner—Abraham Bahta
(74) *Attorney, Agent, or Firm*—Baker & Daniels LLP

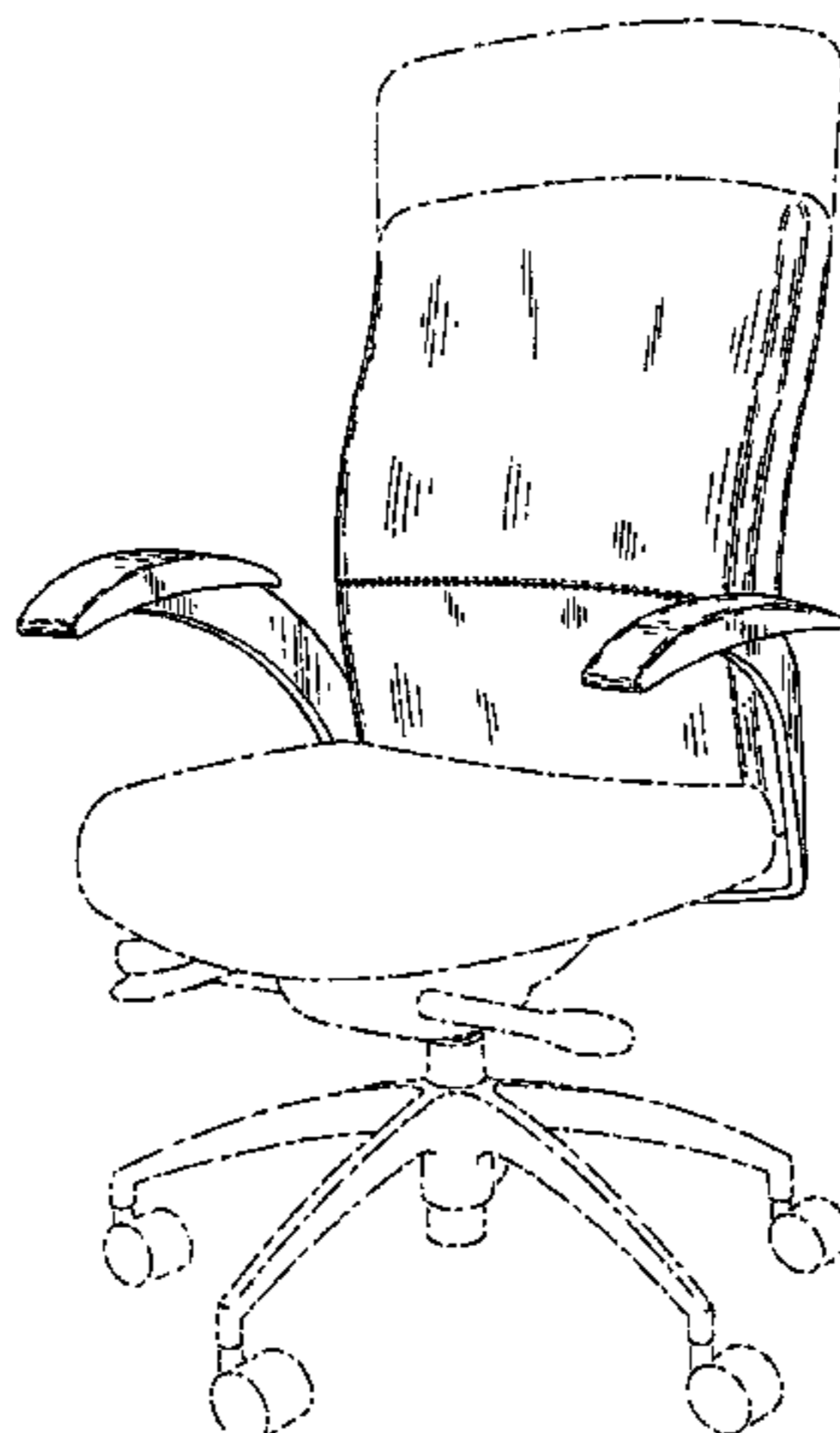
(57) **CLAIM**

The ornamental design for a task chair backrest and armrest assembly, as shown.

DESCRIPTION

FIG. 1 is a front perspective view of a task chair backrest and armrest assembly according to our new design;
FIG. 2 is a rear perspective view thereof;
FIG. 3 is a front view thereof;
FIG. 4 is a rear view thereof;
FIG. 5 is a left side view thereof;
FIG. 6 is a right side view thereof; and,
FIG. 7 is a top view thereof.
Features shown in dashed lines form no part of the claimed design.

1 Claim, 7 Drawing Sheets



US D593,345 S

Page 2

U.S. PATENT DOCUMENTS

D437,702 S 2/2001 Koepke et al.
D442,792 S 5/2001 Martin
D444,956 S 7/2001 Martin
D445,579 S 7/2001 Olson
D446,396 S 8/2001 Phillips et al.
D446,400 S 8/2001 Schultz et al.
D446,960 S 8/2001 Lovegrove
D449,461 S 10/2001 Cramer
D462,186 S 9/2002 Schultz et al.
D465,938 S 11/2002 Huang
D467,445 S 12/2002 Saffell et al.
D469,265 S 1/2003 Holbrook et al.
D477,471 S 7/2003 Brooks
D482,220 S * 11/2003 Grove D6/501
D483,583 S * 12/2003 Raftery D6/502
D488,631 S 4/2004 Newhouse
D491,382 S 6/2004 Caldwell
D491,758 S * 6/2004 True D6/501
D494,389 S * 8/2004 True D6/500
D494,390 S * 8/2004 True D6/500
D495,166 S * 8/2004 Chu D6/500
D495,167 S 8/2004 Chu
D495,907 S * 9/2004 True D6/500
D496,535 S 9/2004 Goodworth
D496,812 S * 10/2004 Chu D6/500
D505,024 S 5/2005 Bellin
D506,334 S 6/2005 Chu
D507,423 S 7/2005 Beaulieu et al.
D511,051 S 11/2005 Quintal
D514,833 S 2/2006 Kinoshita
D517,828 S 3/2006 Magnani et al.
D518,318 S 4/2006 Koepke
D534,383 S 1/2007 Chu
D535,486 S 1/2007 Huang
D543,374 S 5/2007 Huerlimann
D543,736 S 6/2007 Shields
D544,234 S 6/2007 Olano

D546,089 S 7/2007 Ebenestelli
D547,963 S 8/2007 Olano
D548,477 S 8/2007 Olano
D549,979 S 9/2007 Kane et al.
D577,231 S * 9/2008 Kaczmarek D6/502

OTHER PUBLICATIONS

Bernhardt product information, pilot, at least as early as Jun. 5, 2008.
Bernhardt product information, aria, at least as early as Jun. 5, 2008.
Bernhardt product information, studio, at least as early as Jun. 5, 2008.
Bernhardt product information, strada, at least as early as Jun. 5, 2008.
OFS product information, Elite, at least as early as Jun. 5, 2008.
OFS product information, CS2, at least as early as Jun. 5, 2008.
OFS product information, CS3, at least as early as Jun. 5, 2008.
OFS product information, CS4, at least as early as Jun. 5, 2008.
OFS product information, Number Nine, at least as early as Jun. 5, 2008.
First Office product information, Sleek, at least as early as Jun. 5, 2008.
First Office product information, Jewel, at least as early as Jun. 5, 2008.
Hon product information, Park Avenue, at least as early as Jun. 5, 2008.
SitOnIt Product Information, Influence, at least as early as Jun. 5, 2008.
Global Product Information, Karizma, at least as early as Jun. 5, 2008.
Steelcase Product Information, Siento, at least as early as Jun. 5, 2008.
Brayton Product Information, Chord, at least as early as Jun. 5, 2008.
National Product Information, Aurora, at least as early as Jun. 5, 2008.
Paoli Furniture Product Information, Artisan, at least as early as Jun. 5, 2008.
Jofco Product Information, Alloya, at least as early as Jun. 5, 2008.

* cited by examiner

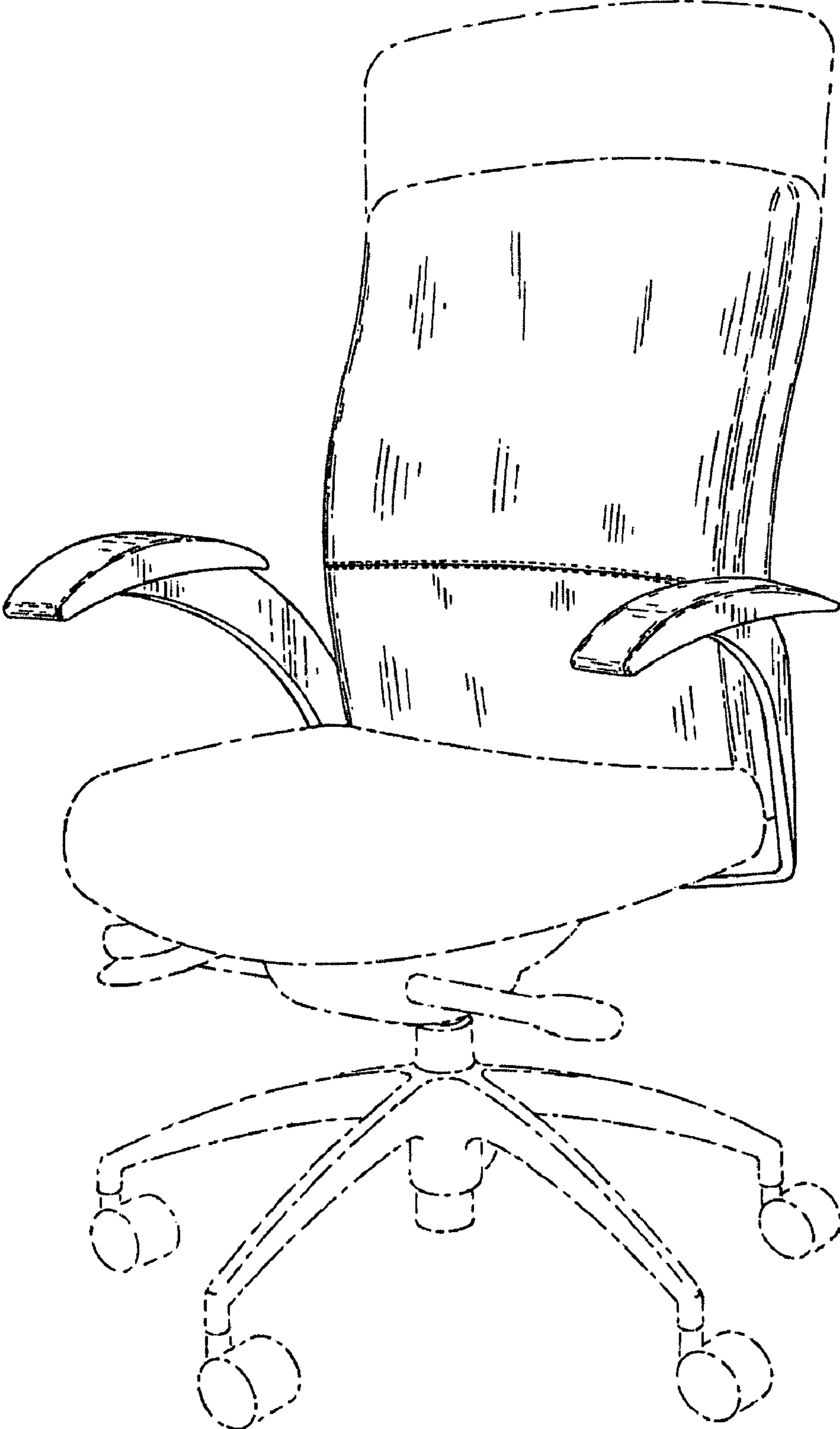


FIG. 1

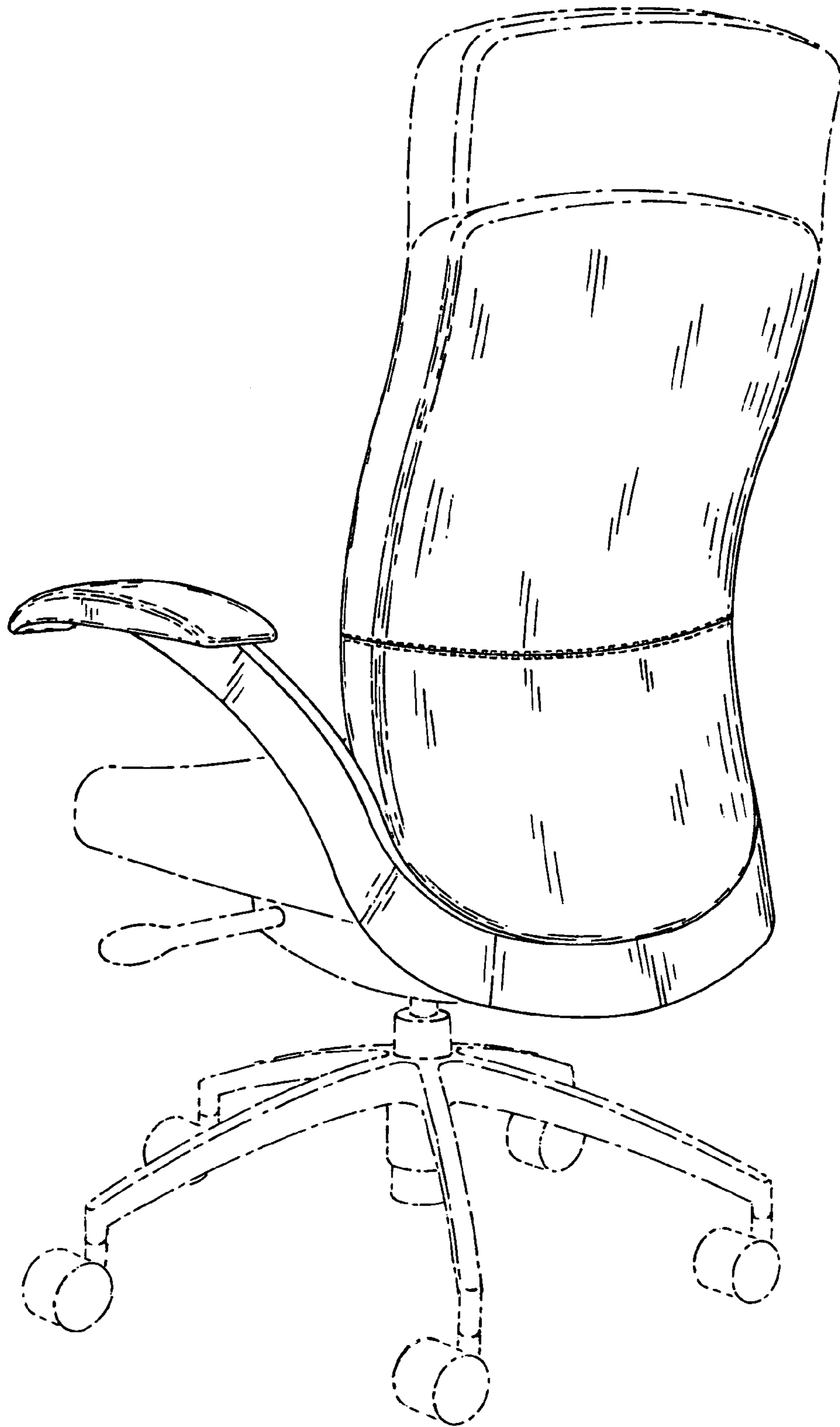


FIG. 2

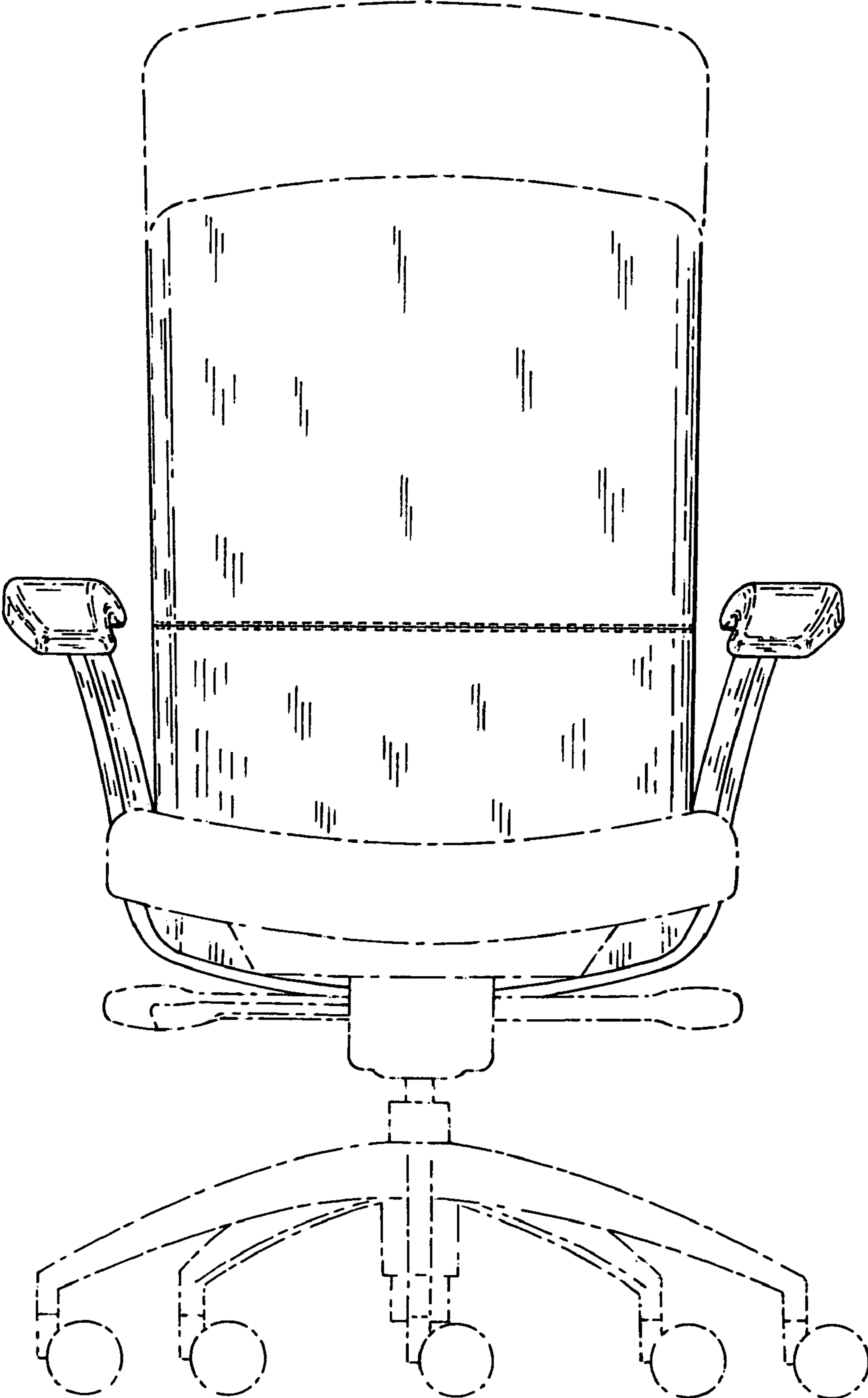


FIG. 3

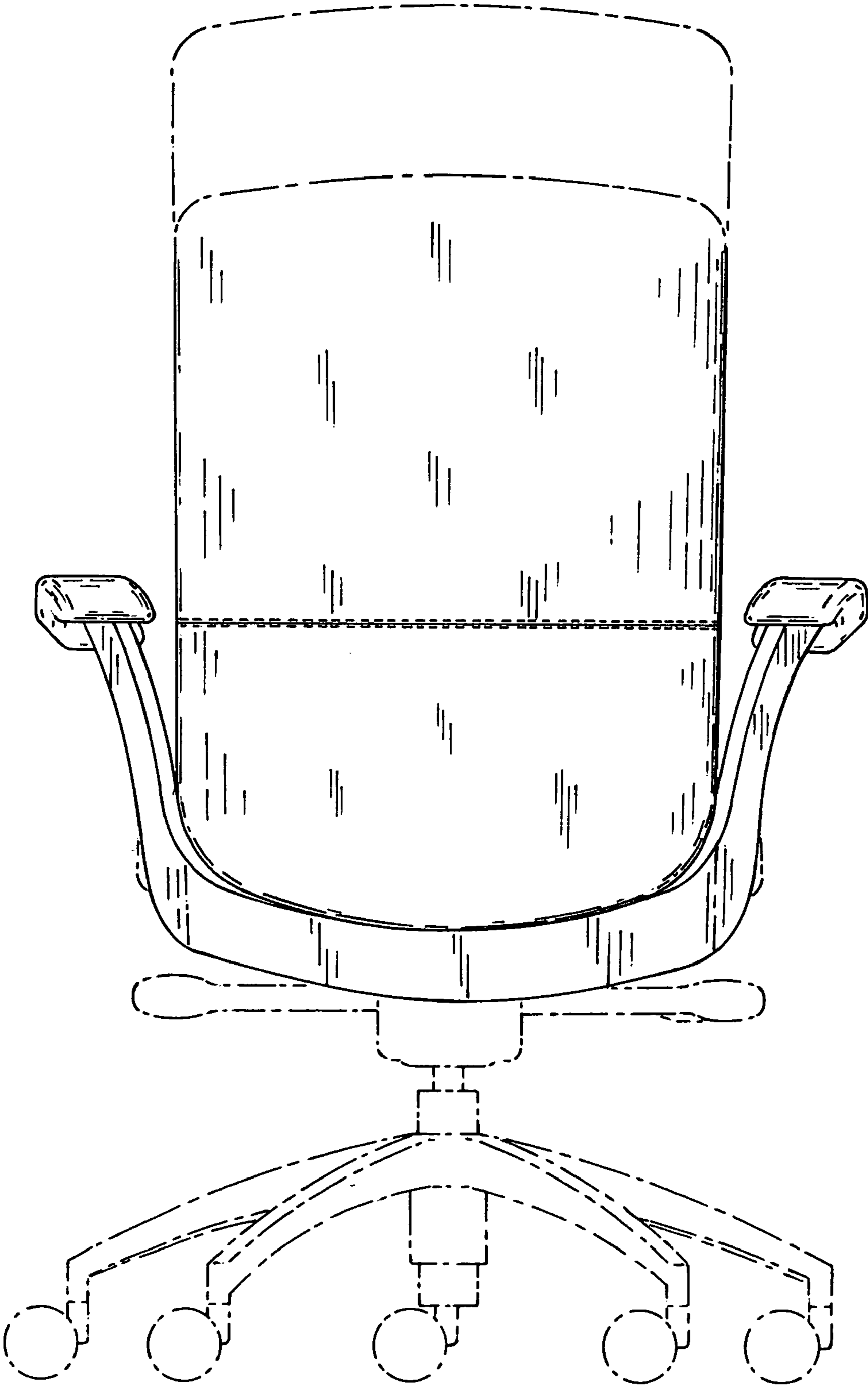


FIG. 4

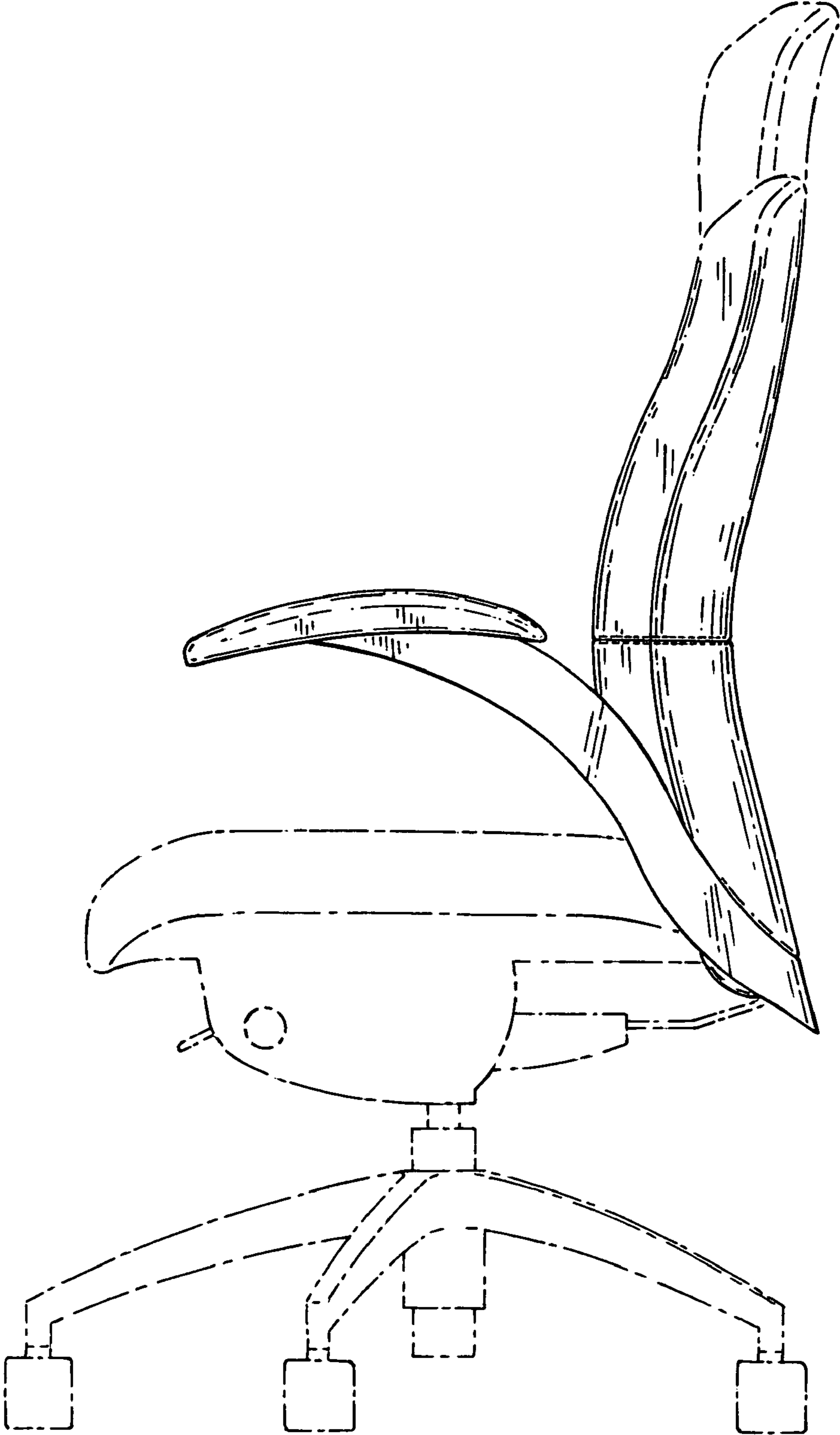


FIG. 5

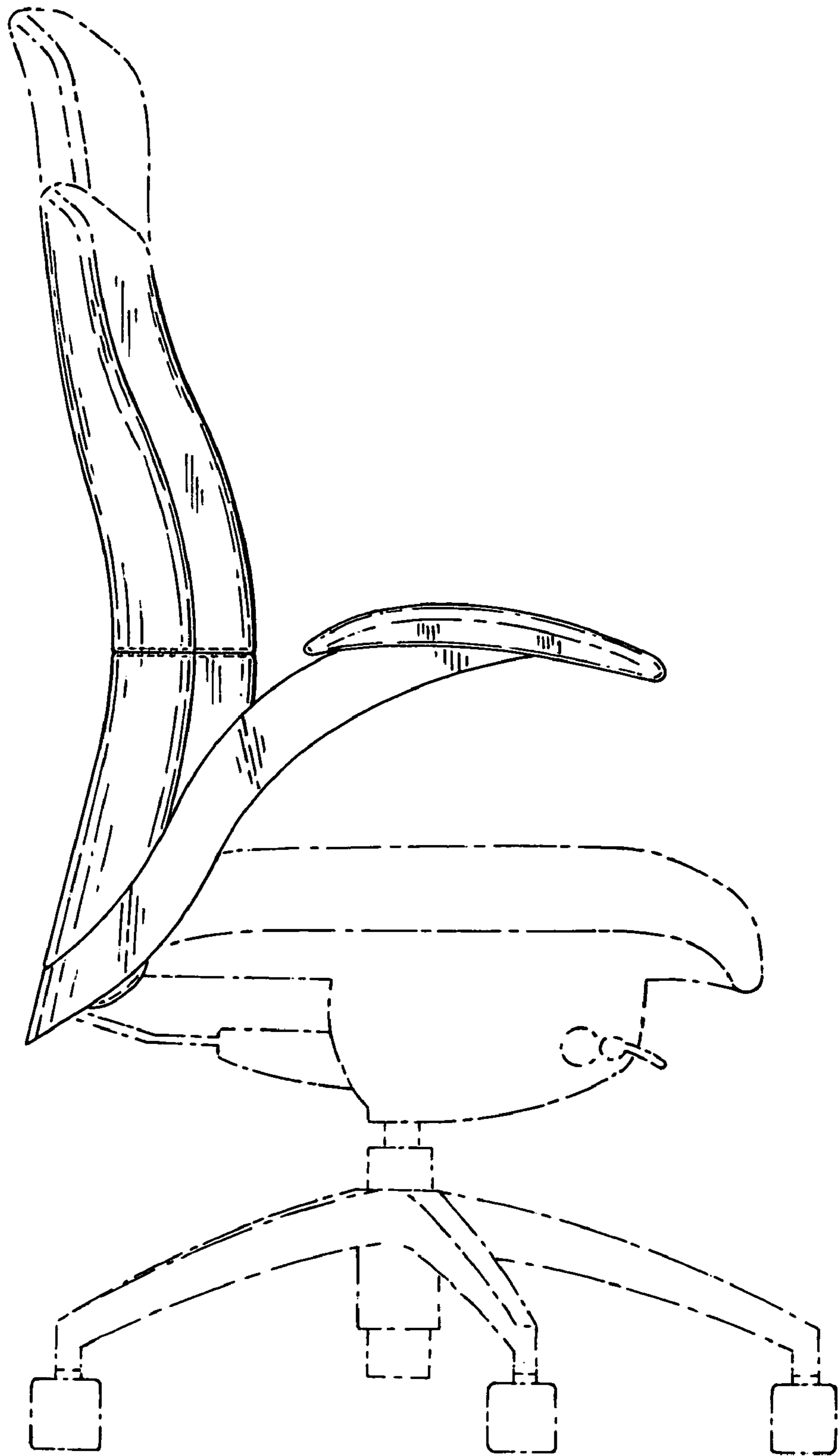


FIG. 6

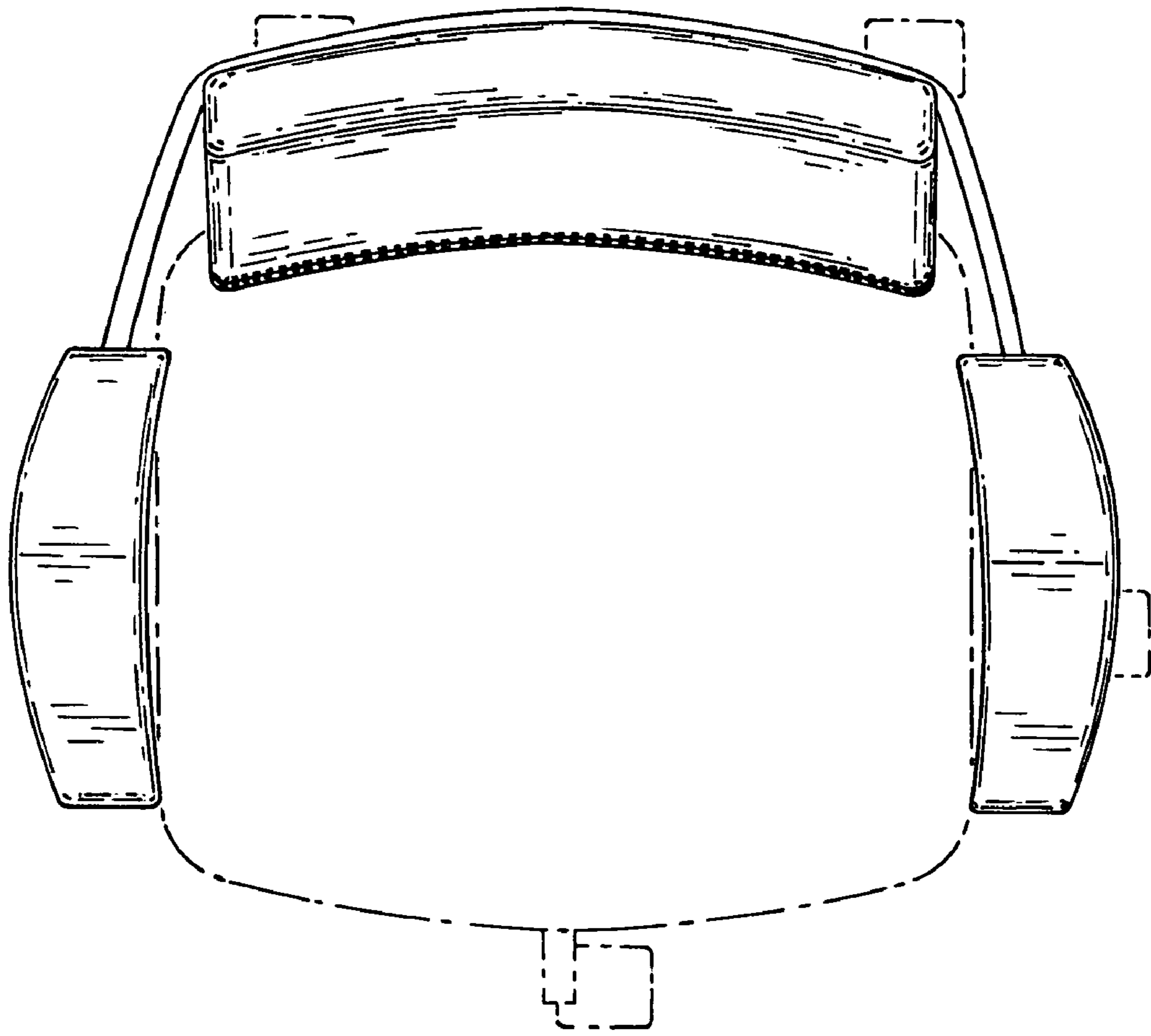


FIG. 7