



US00D593342S

(12) **United States Design Patent**
Pesso

(10) **Patent No.:** **US D593,342 S**
(45) **Date of Patent:** **** Jun. 2, 2009**

(54) **FURNITURE CORNER**

(75) Inventor: **David Allan Pesso**, Boca Raton, FL
(US)

(73) Assignee: **Kimball International, Inc.**, Jasper, IN
(US)

(**) Term: **14 Years**

(21) Appl. No.: **29/319,203**

(22) Filed: **Jun. 5, 2008**

(51) **LOC (9) Cl.** **06-06**

(52) **U.S. Cl.** **D6/495; D6/491**

(58) **Field of Classification Search** D6/480-489,
D6/495-499, 429-430, 477, 479, 349, 436;
108/153.1, 155, 156, 161, 50.01, 50.02; 248/188,
248/188.1, 188.8

See application file for complete search history.

(56) **References Cited**

U.S. PATENT DOCUMENTS

D172,098 S	5/1954	Knoll	
2,987,362 A	6/1961	Bernath	
D191,455 S	10/1961	Abrahamson et al.	
3,105,726 A	10/1963	Jung	
3,125,387 A	3/1964	Abrahamson	
4,413,570 A	11/1983	Haigh	
D276,393 S	11/1984	Foyle	
4,846,078 A	7/1989	Janson	
D343,312 S	1/1994	Burdick et al.	
D343,747 S	2/1994	Burdick et al.	
D354,643 S *	1/1995	Hansel et al. D6/484
5,486,042 A	1/1996	Heisler et al.	
5,598,790 A	2/1997	Fich	
D382,146 S	8/1997	Sandy	

5,715,761 A	2/1998	Frattini	
D399,684 S *	10/1998	Glass D6/484
6,302,035 B1	10/2001	Frenkler et al.	
6,389,988 B1	5/2002	Frattini	
D460,639 S	7/2002	Crinion	
6,729,244 B2	5/2004	Cattaneo	
6,766,748 B2	7/2004	Insalaco et al.	
D541,559 S *	5/2007	Lewis D6/484
2005/0263041 A1	12/2005	Mueller et al.	

OTHER PUBLICATIONS

Teknion Product Information, District, at least as early as Jun. 5, 2008.

Watson Desking Product Information, MIRO, at least as early as Jun. 5, 2008.

* cited by examiner

Primary Examiner—Janice E Seeger

(74) *Attorney, Agent, or Firm*—Baker & Daniels LLP

(57) **CLAIM**

The ornamental design for a furniture corner, as shown and described.

DESCRIPTION

FIG. 1 is a perspective view of an article of furniture incorporating a corner according to my new design;

FIG. 2 is an enlarged view of the furniture corner;

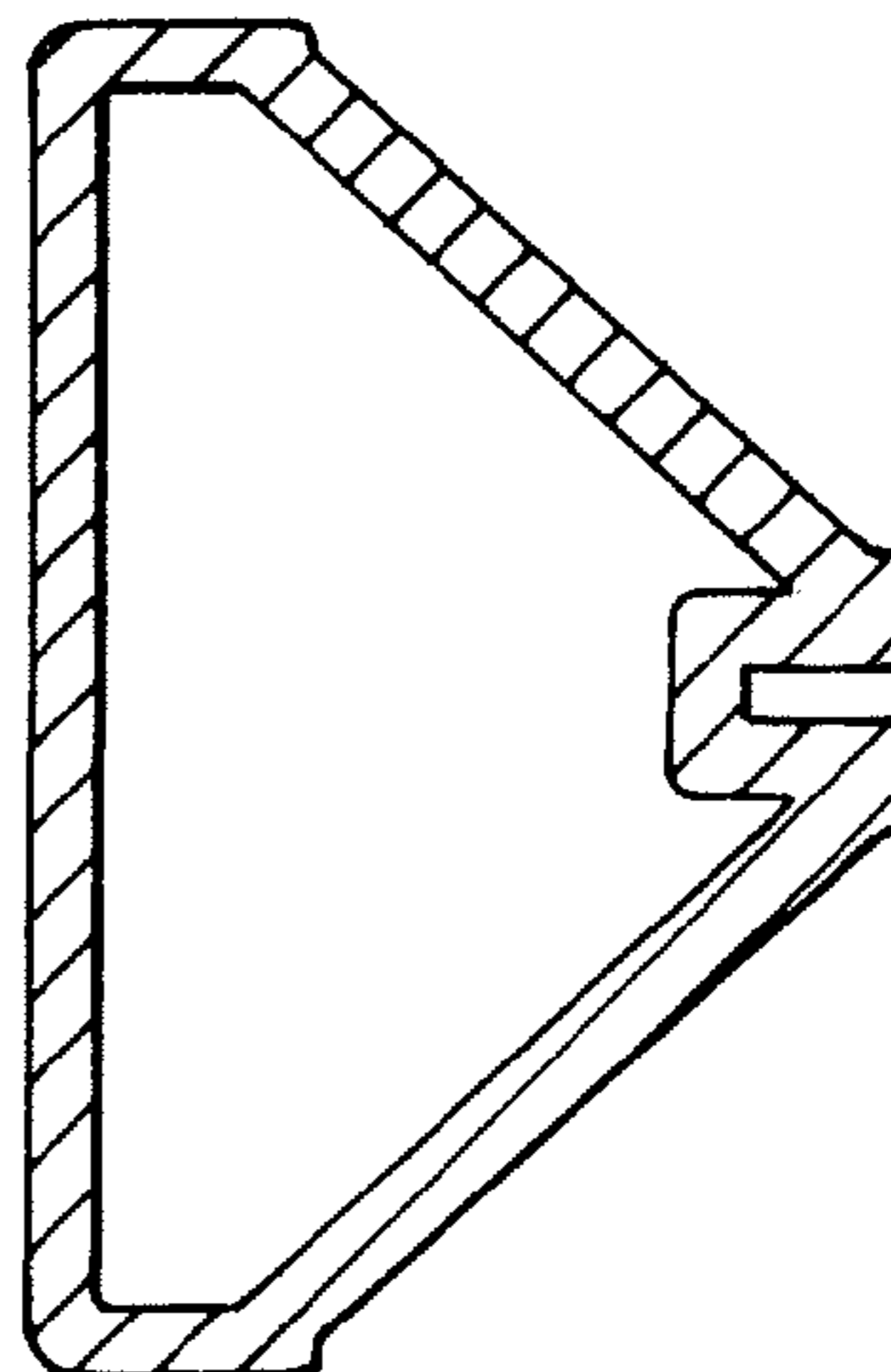
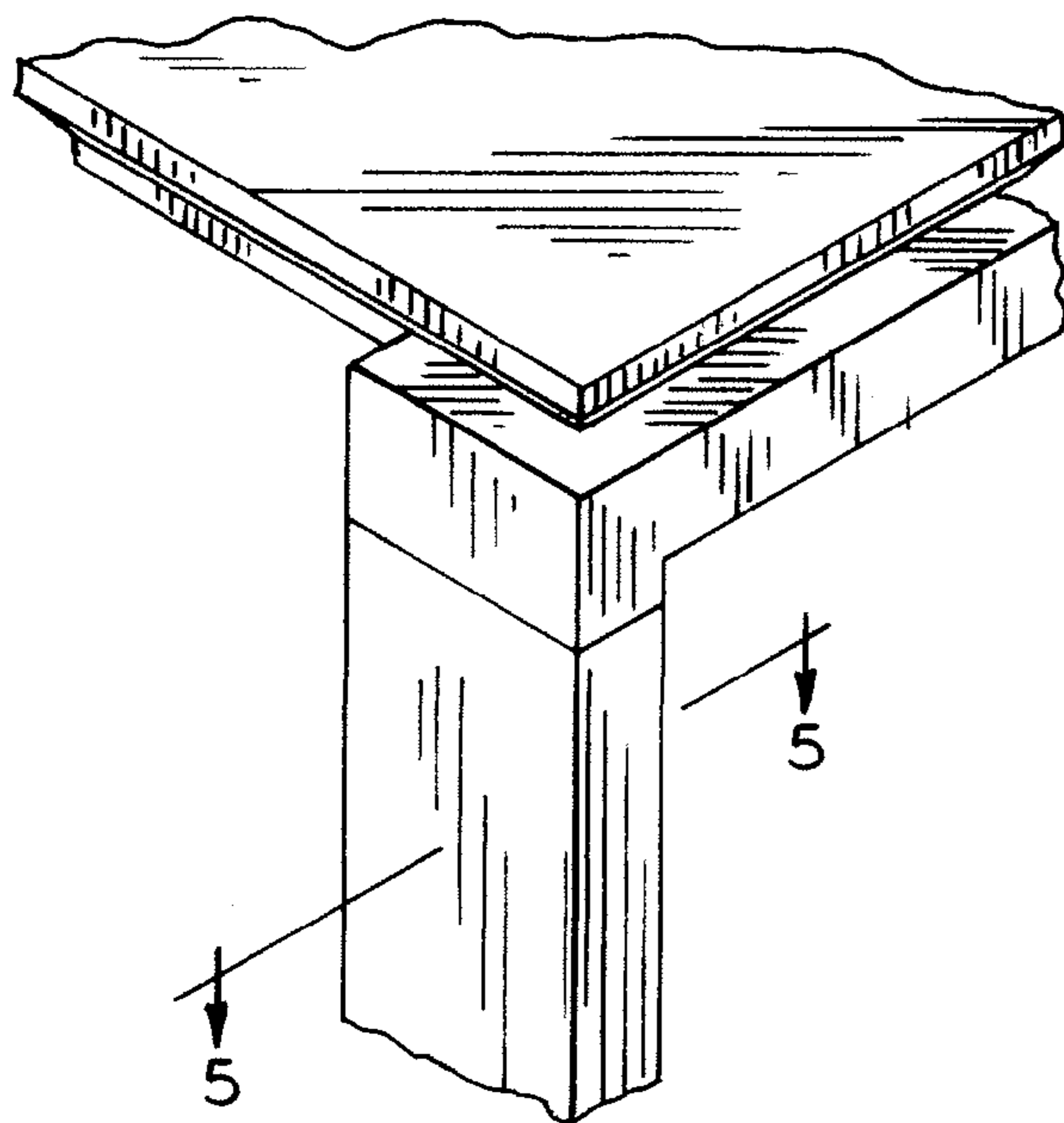
FIG. 3 is a front view of the furniture corner;

FIG. 4 is a side view of the furniture corner; and,

FIG. 5 is a sectional view taken along line 5—5 of FIG. 2.

Features shown in dashed lines form no part of the claimed design.

1 Claim, 2 Drawing Sheets



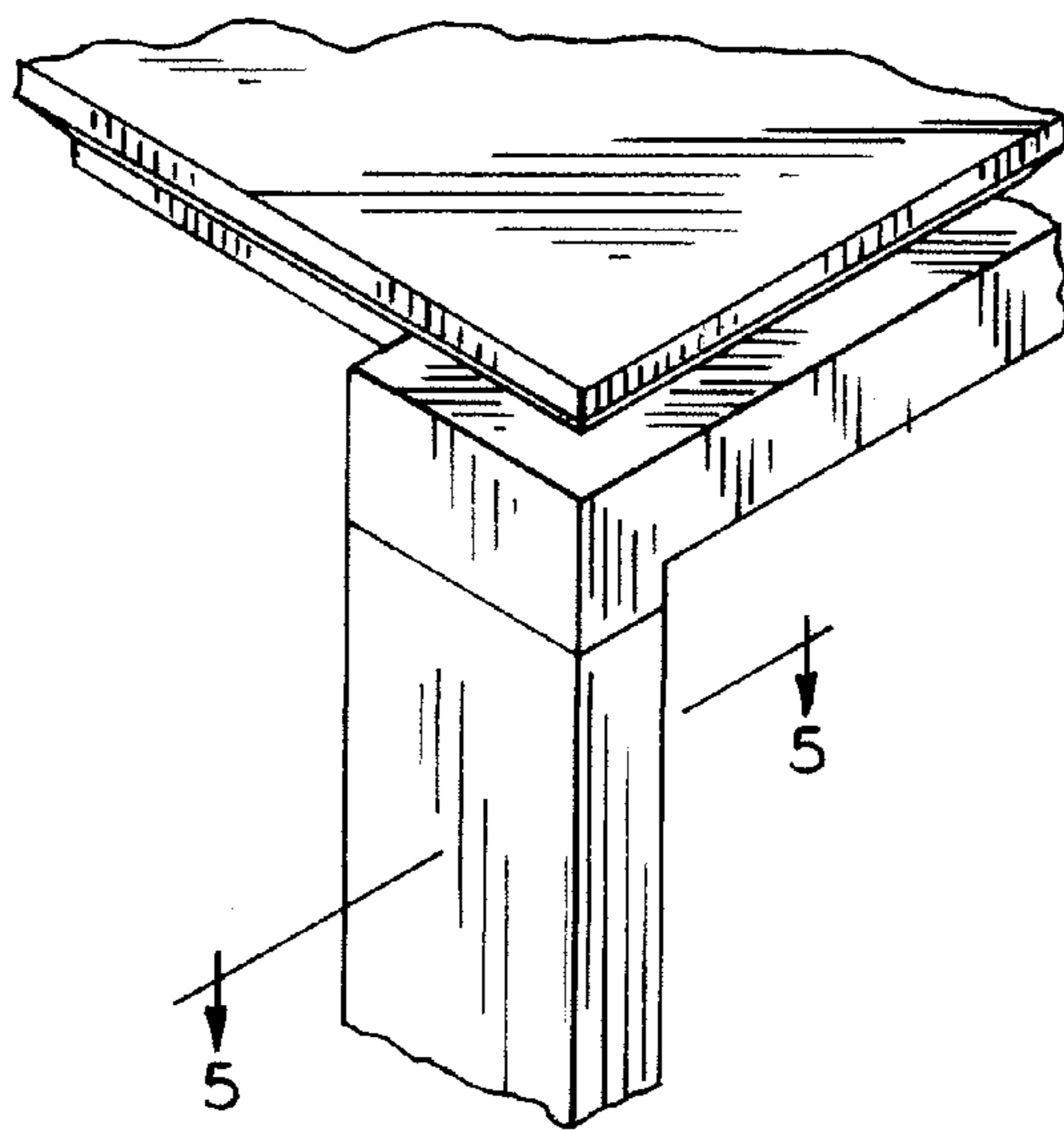
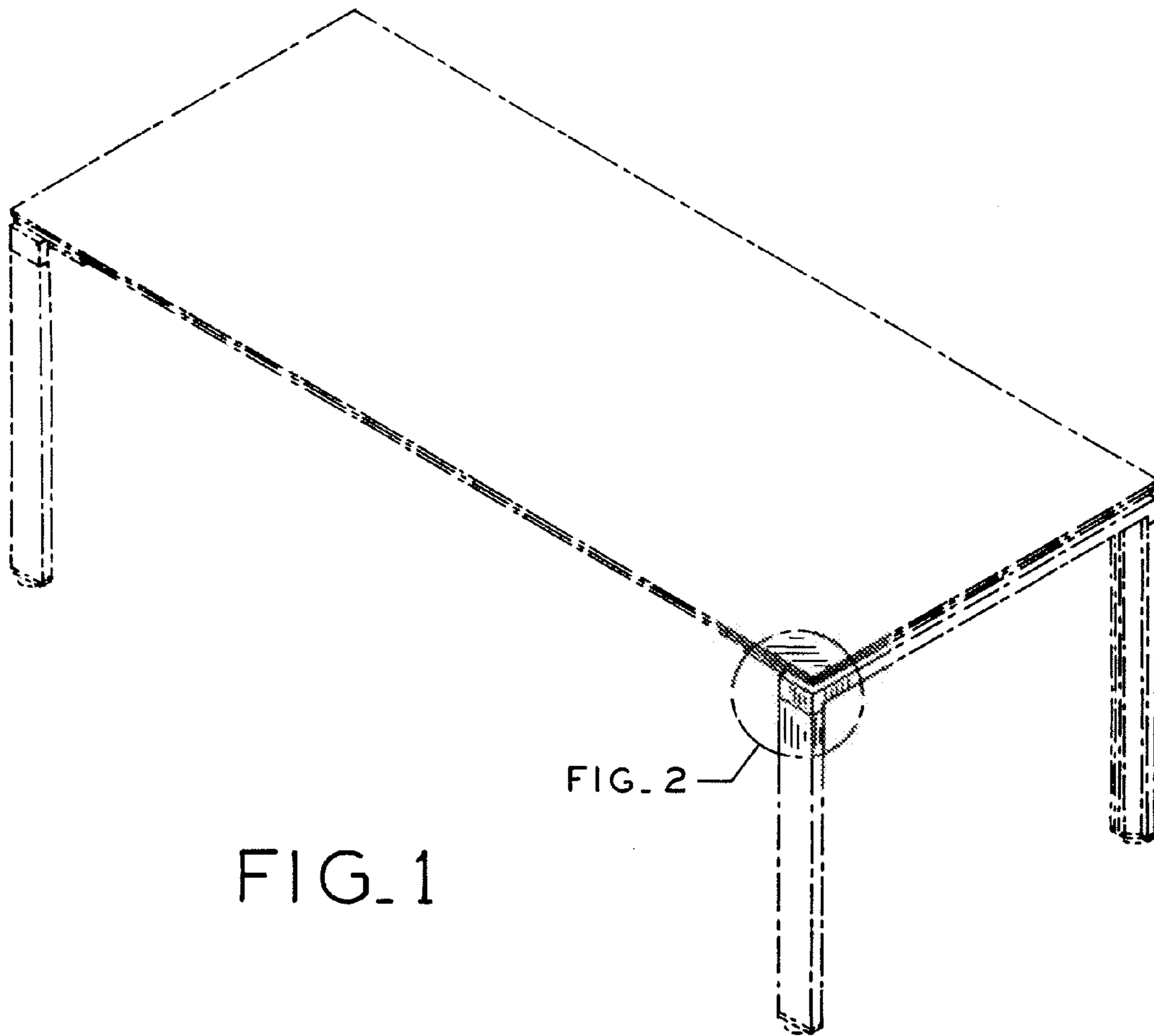


FIG. 2

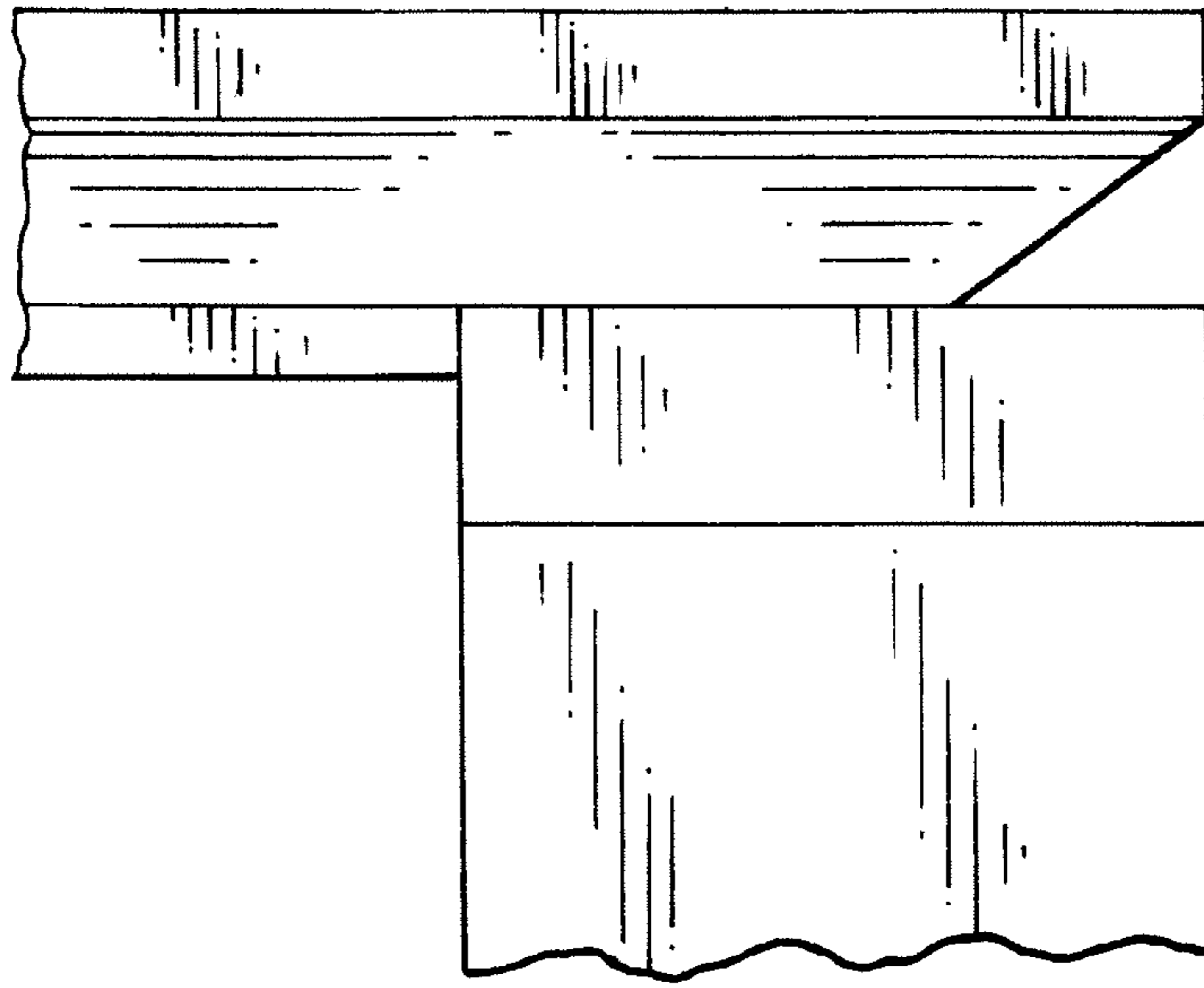


FIG. 3

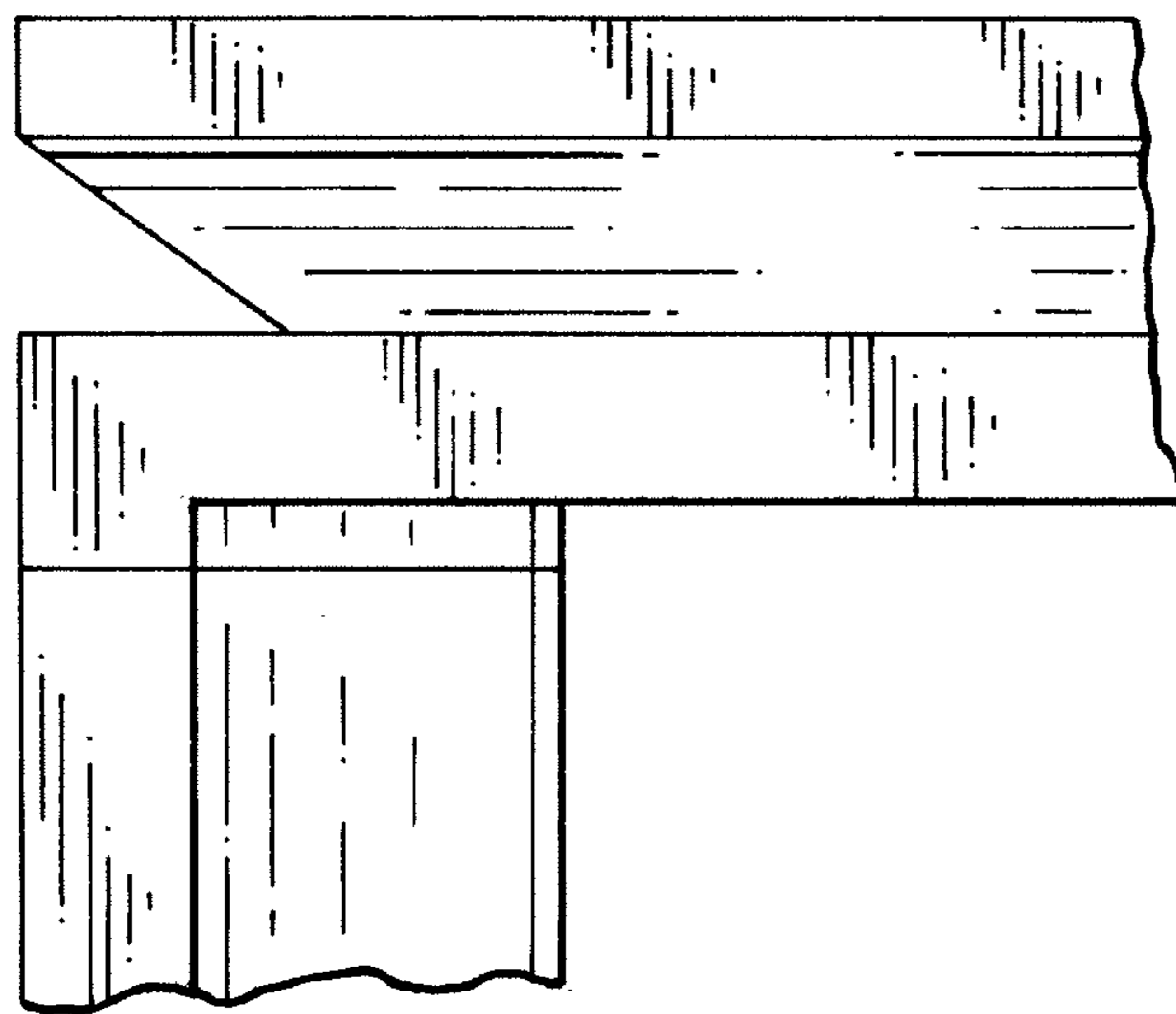


FIG. 4

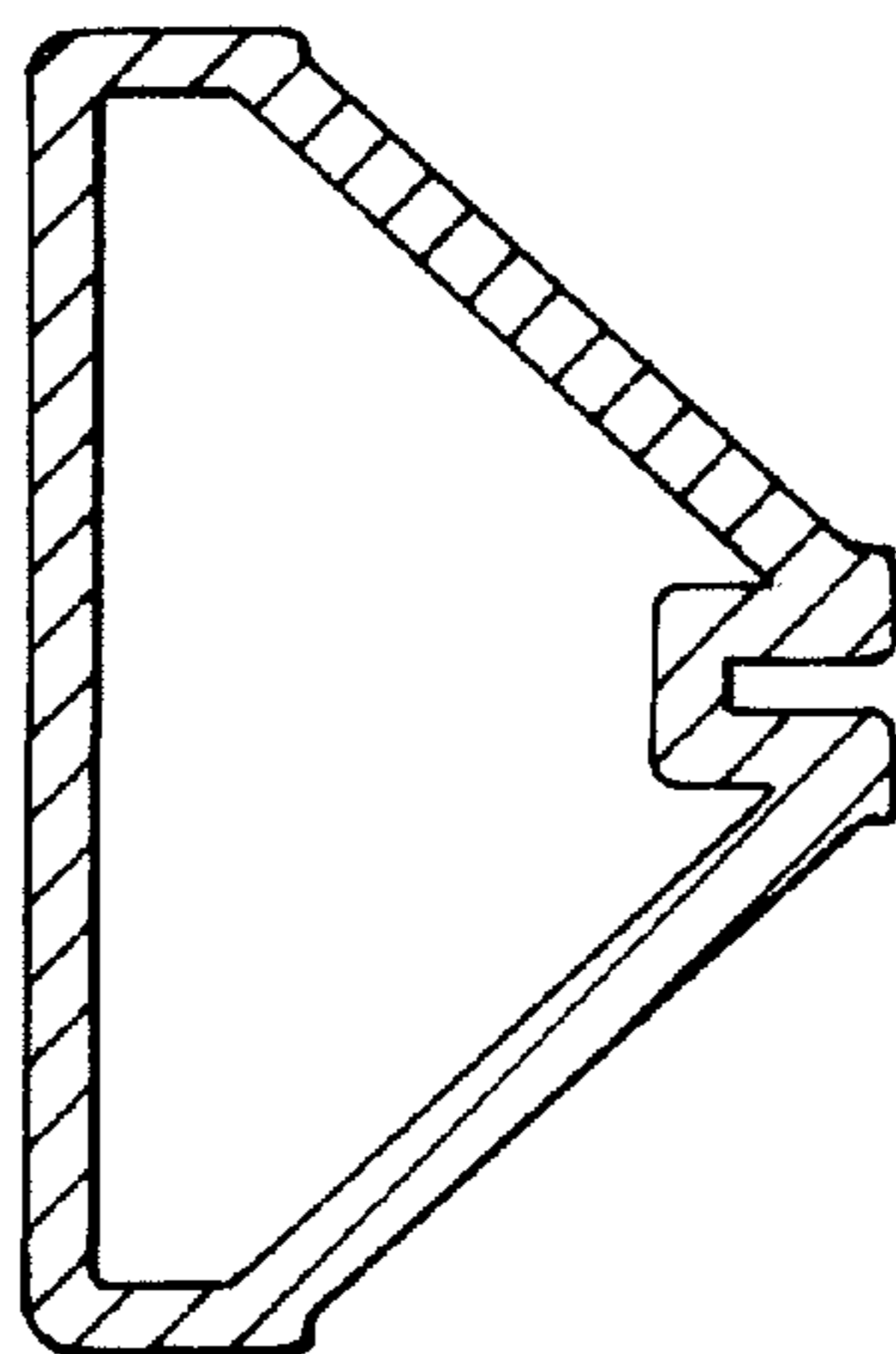


FIG. 5