



US00D593341S

(12) **United States Design Patent**  
**Sackman**

(10) **Patent No.:** **US D593,341 S**  
(45) **Date of Patent:** **\*\* Jun. 2, 2009**

(54) **PORTABLE TOOL STORAGE AND ORGANIZER TABLE FOR PAINTING AND WALLPAPERING**

(76) Inventor: **Stuart M. Sackman**, 567 Ryders La., East Brunswick, NJ (US) 08816

(\*\*) Term: **14 Years**

(21) Appl. No.: **29/256,038**

(22) Filed: **Mar. 14, 2006**

(51) **LOC (9) Cl.** ..... **06-04**

(52) **U.S. Cl.** ..... **D6/467**

(58) **Field of Classification Search** ..... D6/467, D6/469, 466, 560, 567, 572, 396, 449, 436, D6/397, 432; D3/274, 210, 228, 297, 273, D3/905; D24/234; D9/415, 418, 422, 451; 211/85.13, 60.1, 70.4, 70.6, 70.1; 312/351.3, 312/350, 330.1, 249.4, 902

See application file for complete search history.

(56) **References Cited**

**U.S. PATENT DOCUMENTS**

223,828	A	1/1880	Wiester	
3,394,666	A	7/1968	Perlman	
D219,913	S *	2/1971	Malm et al.	D34/19
D271,733	S *	12/1983	Daventry	D6/436
5,190,303	A	3/1993	Schumacher	
D334,861	S *	4/1993	Cheng	D6/553
D337,404	S *	7/1993	Miles	D34/19
5,366,071	A	11/1994	Laszlo	
5,918,741	A *	7/1999	Vasudeva	206/376
6,012,696	A	1/2000	Borie	
D423,817	S *	5/2000	Holcomb et al.	D6/445
D433,627	S *	11/2000	Vasudeva	D9/415
6,161,486	A	12/2000	Boots	
6,164,212	A	12/2000	Haggard	
D444,930	S *	7/2001	Brown	D34/19
D448,168	S *	9/2001	Johnston	D3/297
D457,704	S *	5/2002	Fiscus et al.	D34/20
D476,562	S *	7/2003	Vasudeva	D9/415
D522,272	S *	6/2006	Vanhee	D6/467
D524,506	S *	7/2006	Hay et al.	D34/20

\* cited by examiner

*Primary Examiner*—Caron Veynar  
*Assistant Examiner*—Abraham Bahta

(74) *Attorney, Agent, or Firm*—Steven M. Crosby, Esq.

(57) **CLAIM**

The ornamental design for a portable tool storage and organizer table for painting and wallpapering, as shown and described.

**DESCRIPTION**

FIG. 1 is a left front perspective view of the portable tool storage and organizer for painting and wall papering showing my new design;

FIG. 2 is a rear perspective view of the table of FIG. 1;

FIG. 3 is a front perspective view of the table of FIG. 1 with a cover in place over the right half of the table;

FIG. 4 is a rear perspective view of the table of FIG. 1 showing top covers in place over both the left and right sides of the table;

FIG. 5 is a front perspective view of the table of FIG. 1 showing the covers in an alternative position;

FIG. 6 is a rear perspective view of the table of FIG. 5 showing the right side thereof with the covers in an alternate position;

FIG. 7 is an enlarged top plan view of the table shown in FIG. 1;

FIG. 8 is a bottom plan view of the table of my invention;

FIG. 9 is a front elevational view of the table of my invention;

FIG. 10 is a rear elevational view of the table of my invention;

FIG. 11 is a right side elevational view of the table of my invention with the right side top cover in place as in FIG. 4;

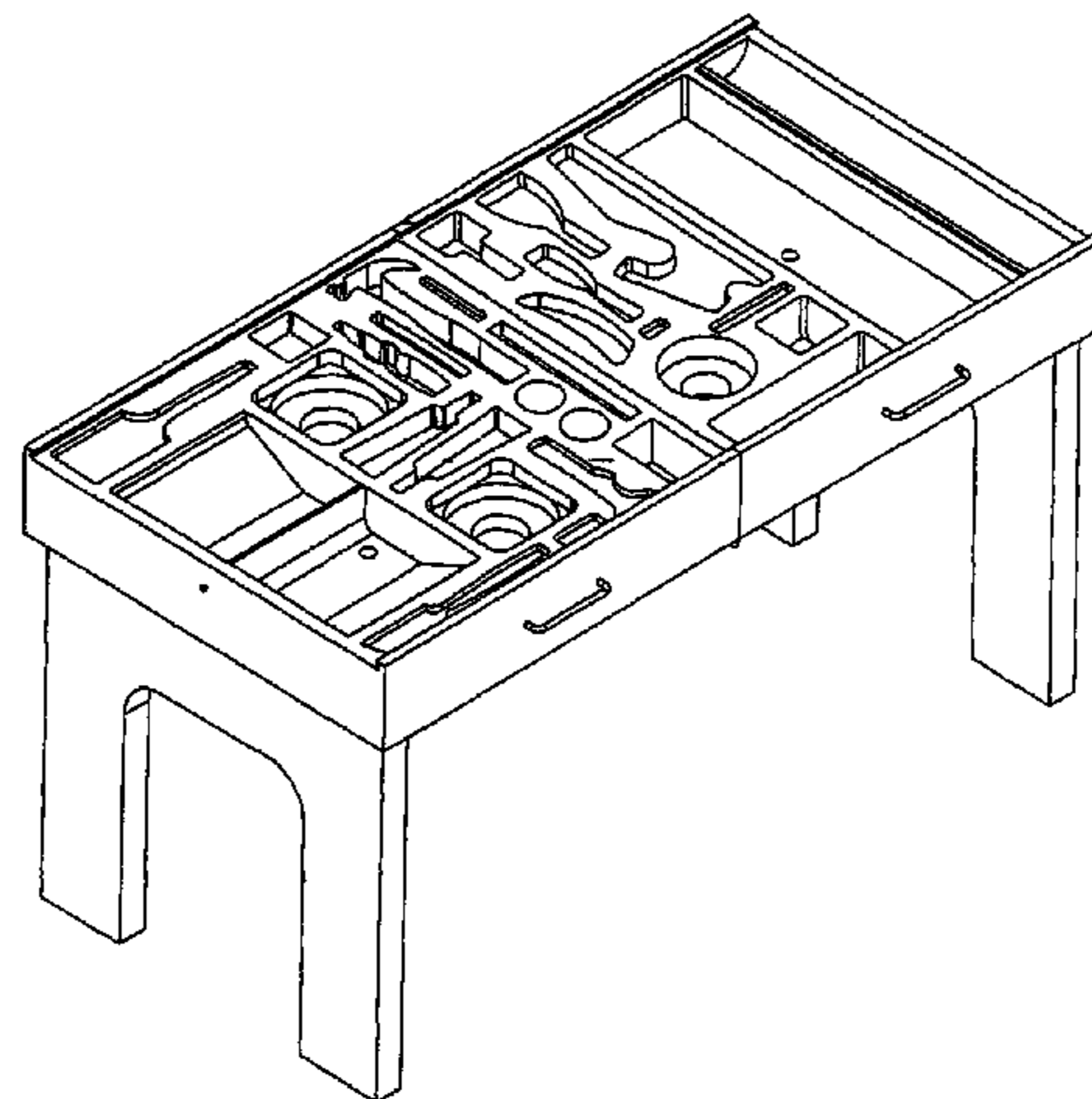
FIG. 12 is a left side elevational view of the table of my invention in a partially collapsed configuration, with the left side top cover in place as in FIG. 4;

FIG. 13 is a rear perspective view of the table of my invention in a partially collapsed configuration with the covers in place.

FIG. 14 is a right side perspective view of the table of my invention in a fully collapsed position; and,

FIG. 15 is a left side perspective view of the table shown in FIG. 14 in a fully collapsed position.

**1 Claim, 10 Drawing Sheets**



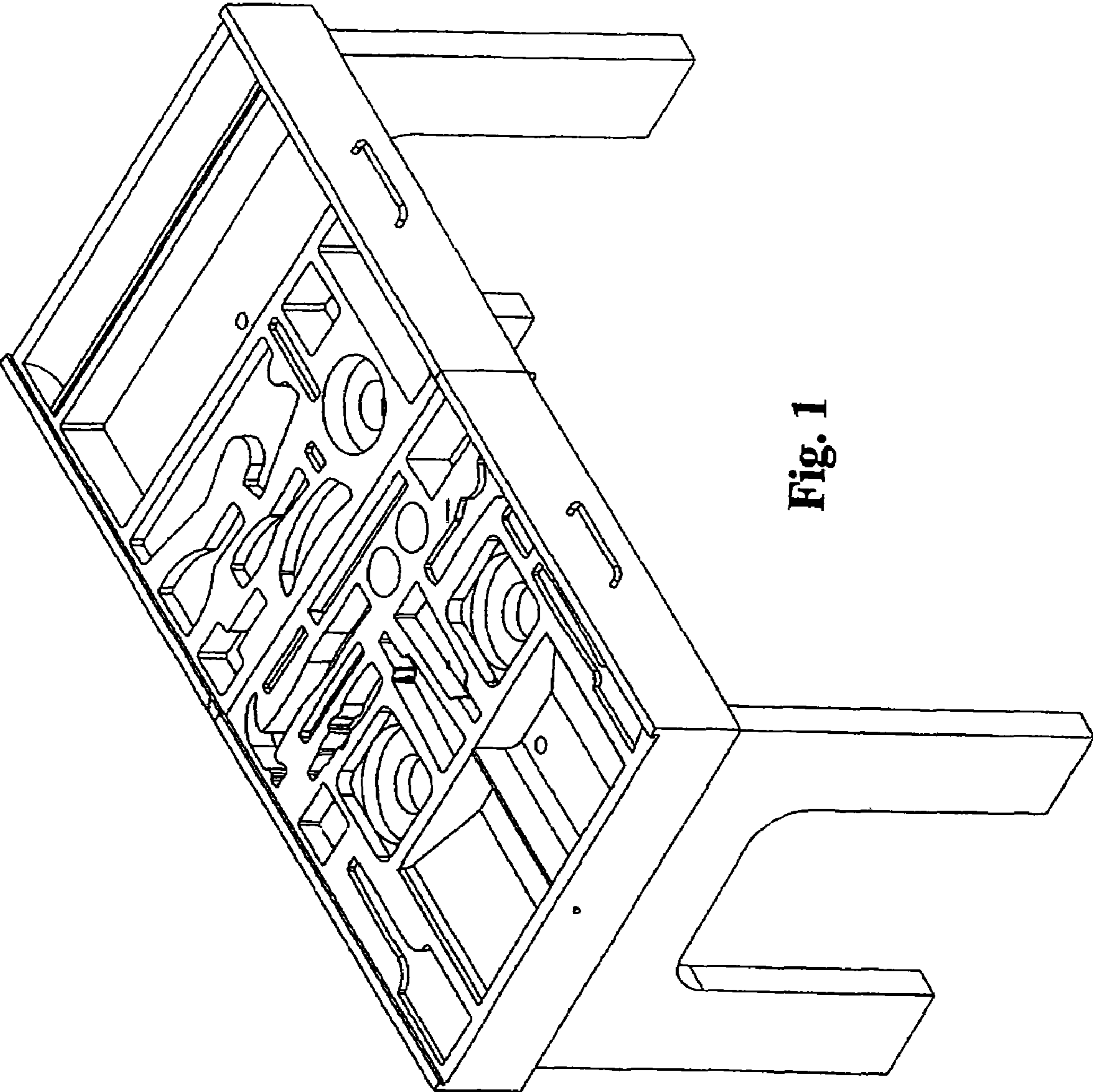


Fig. 1

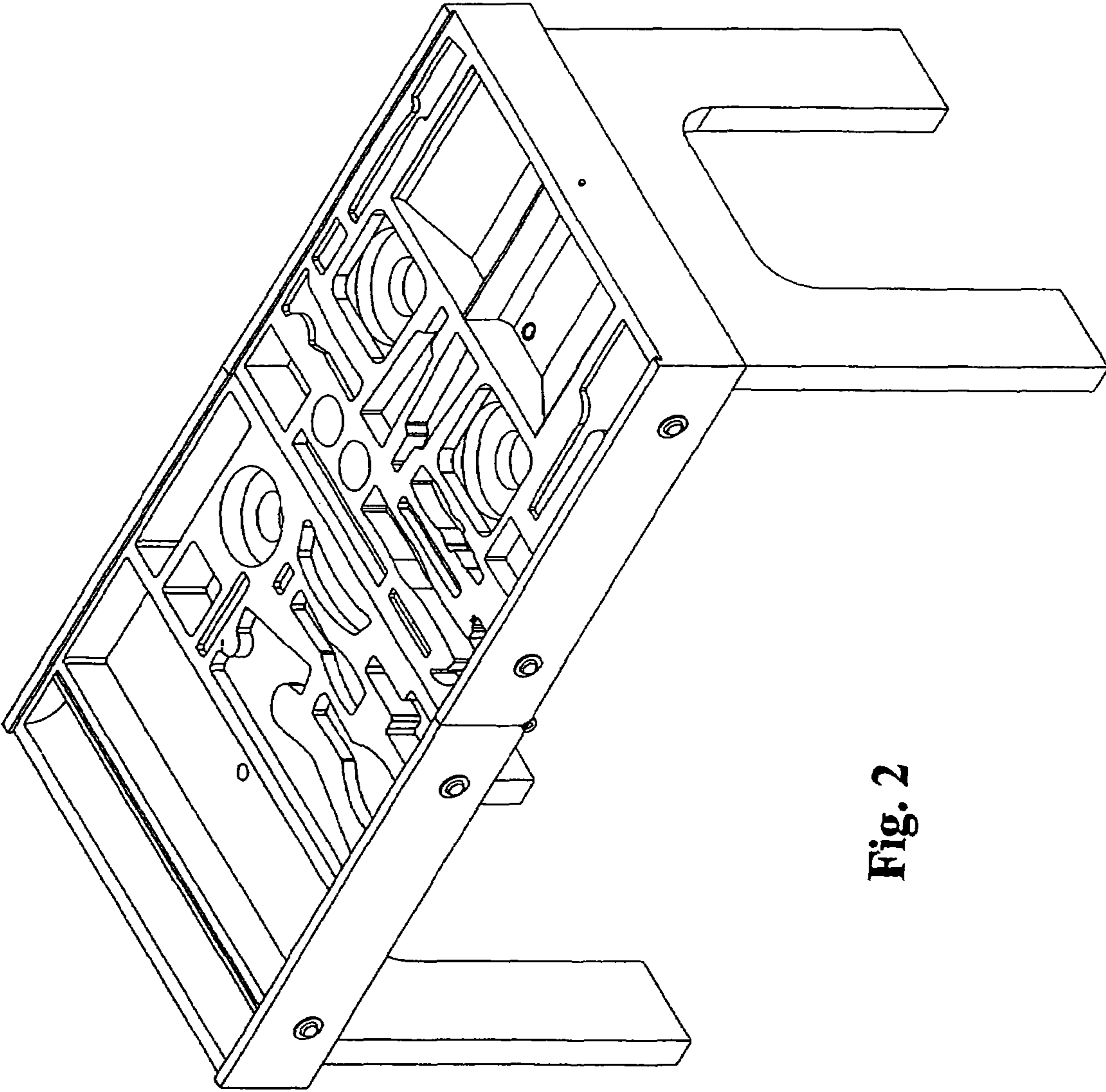


Fig. 2

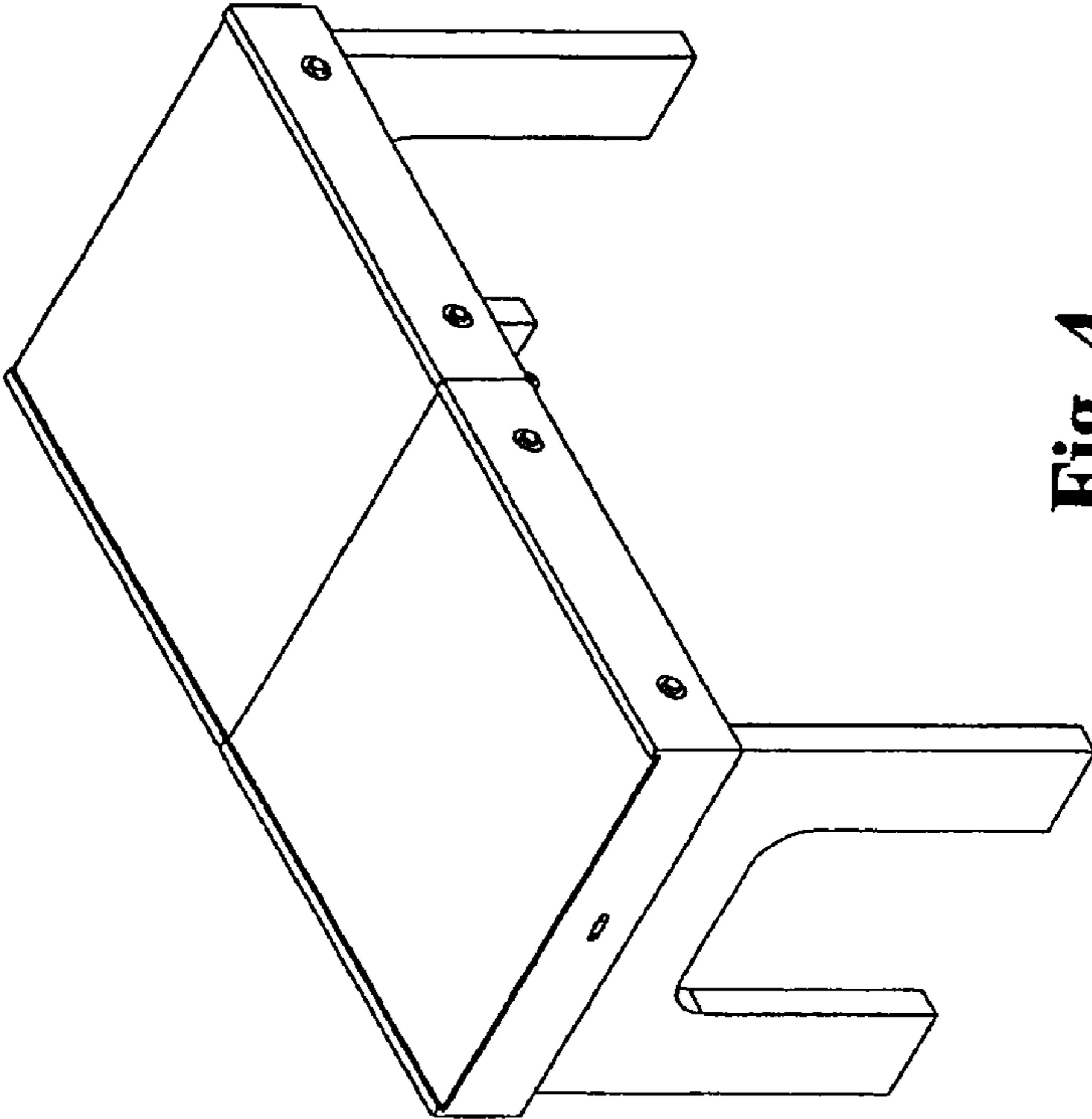


Fig. 4

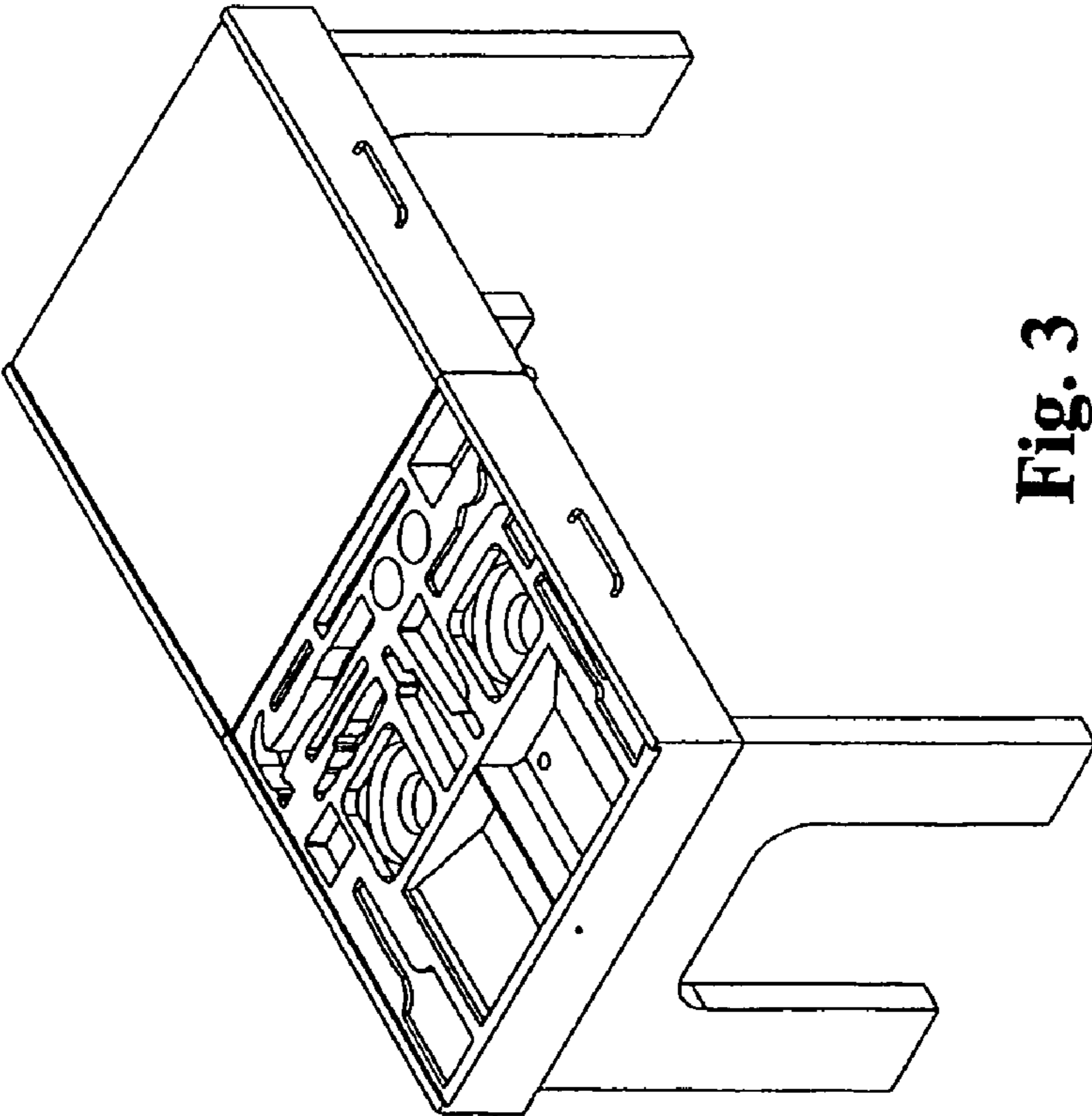


Fig. 3

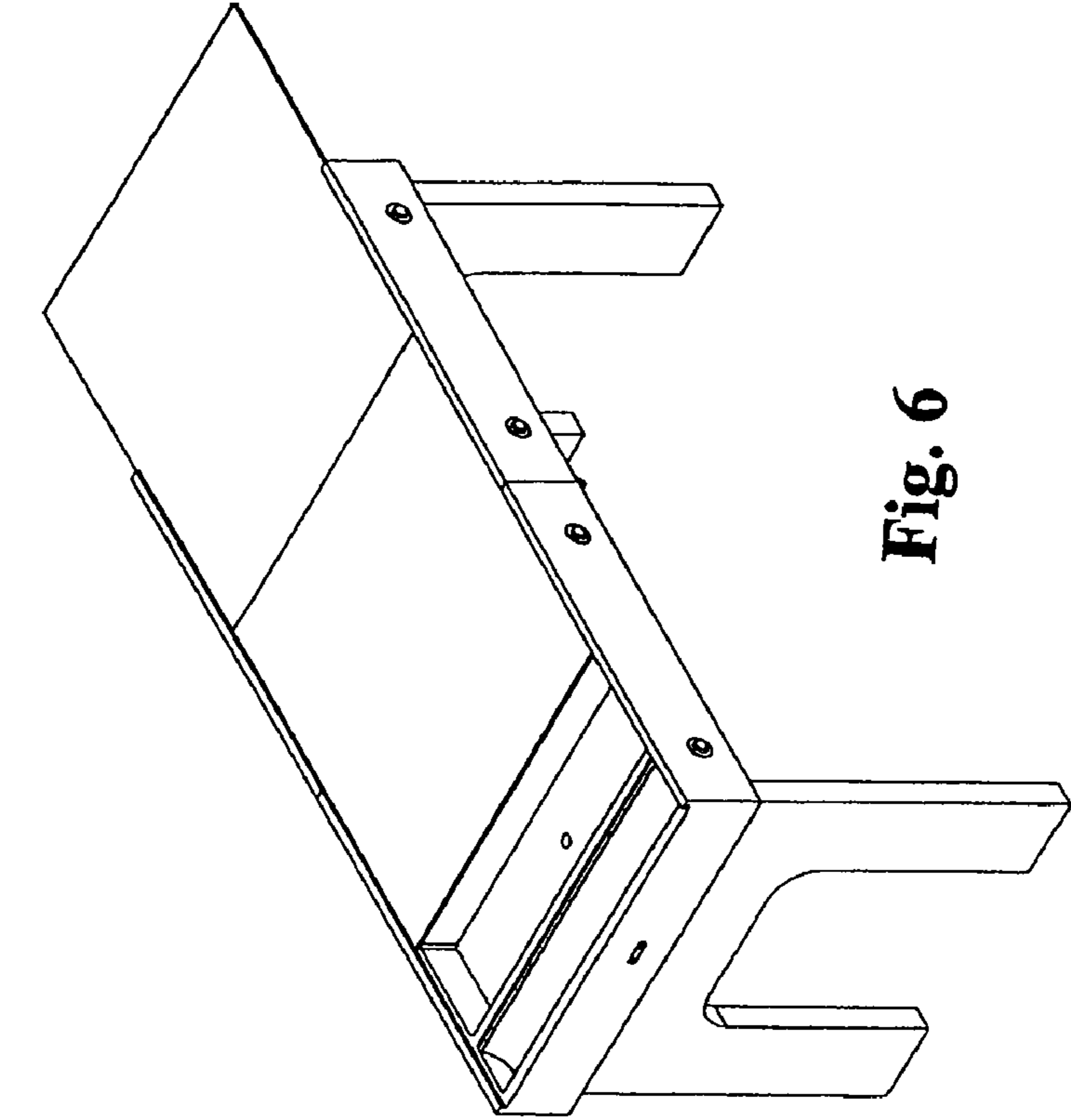


Fig. 6

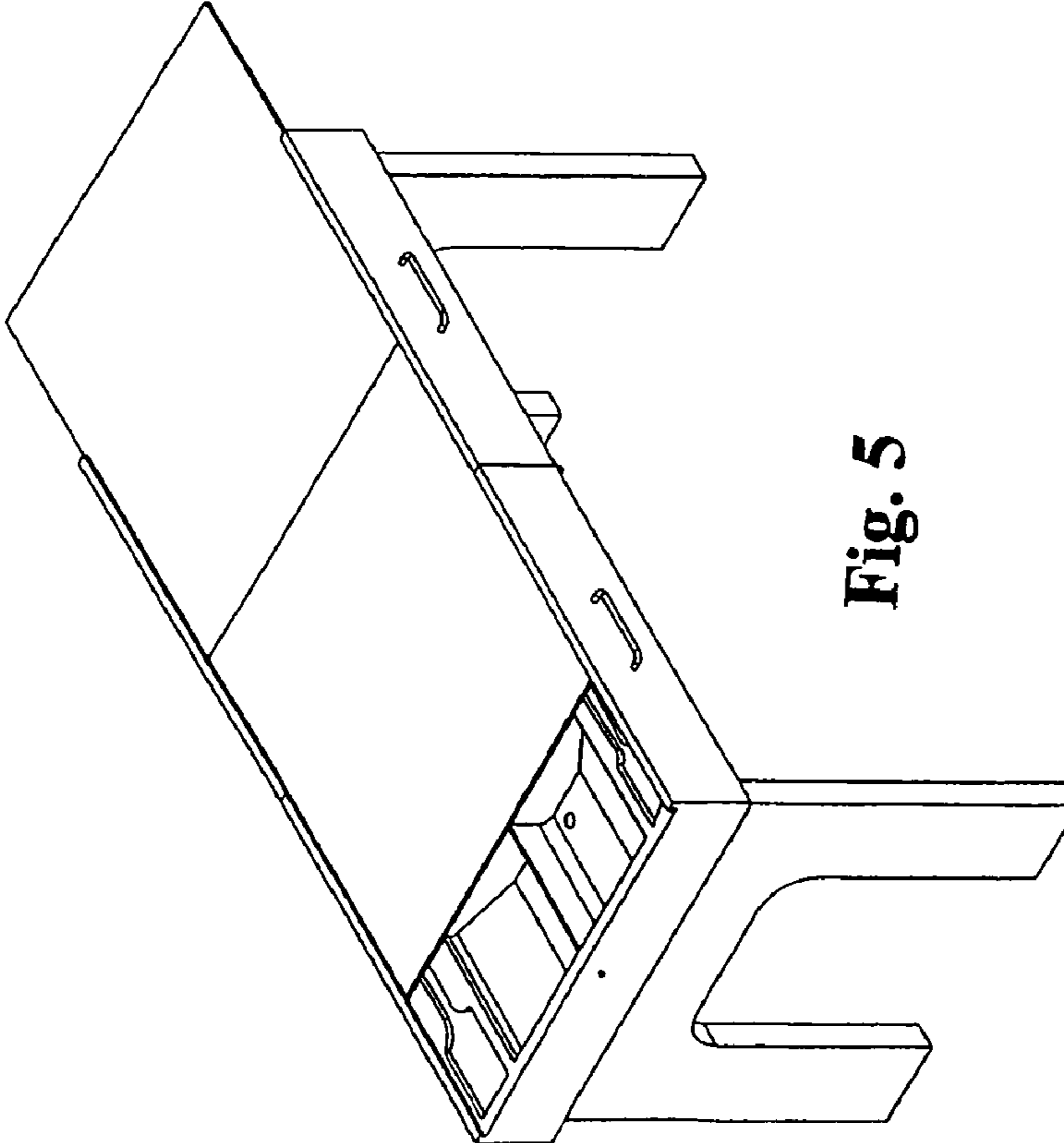


Fig. 5

Fig. 7

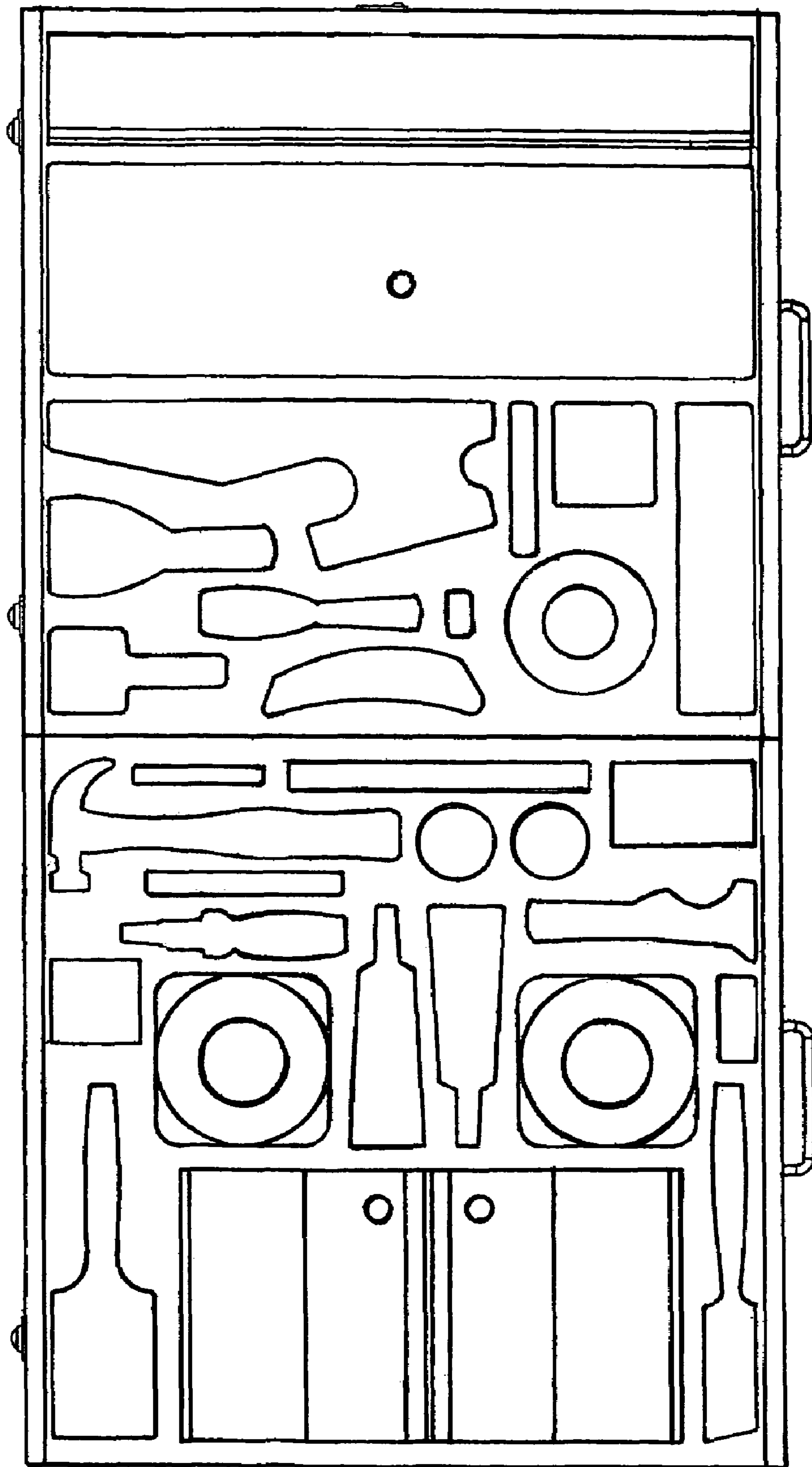
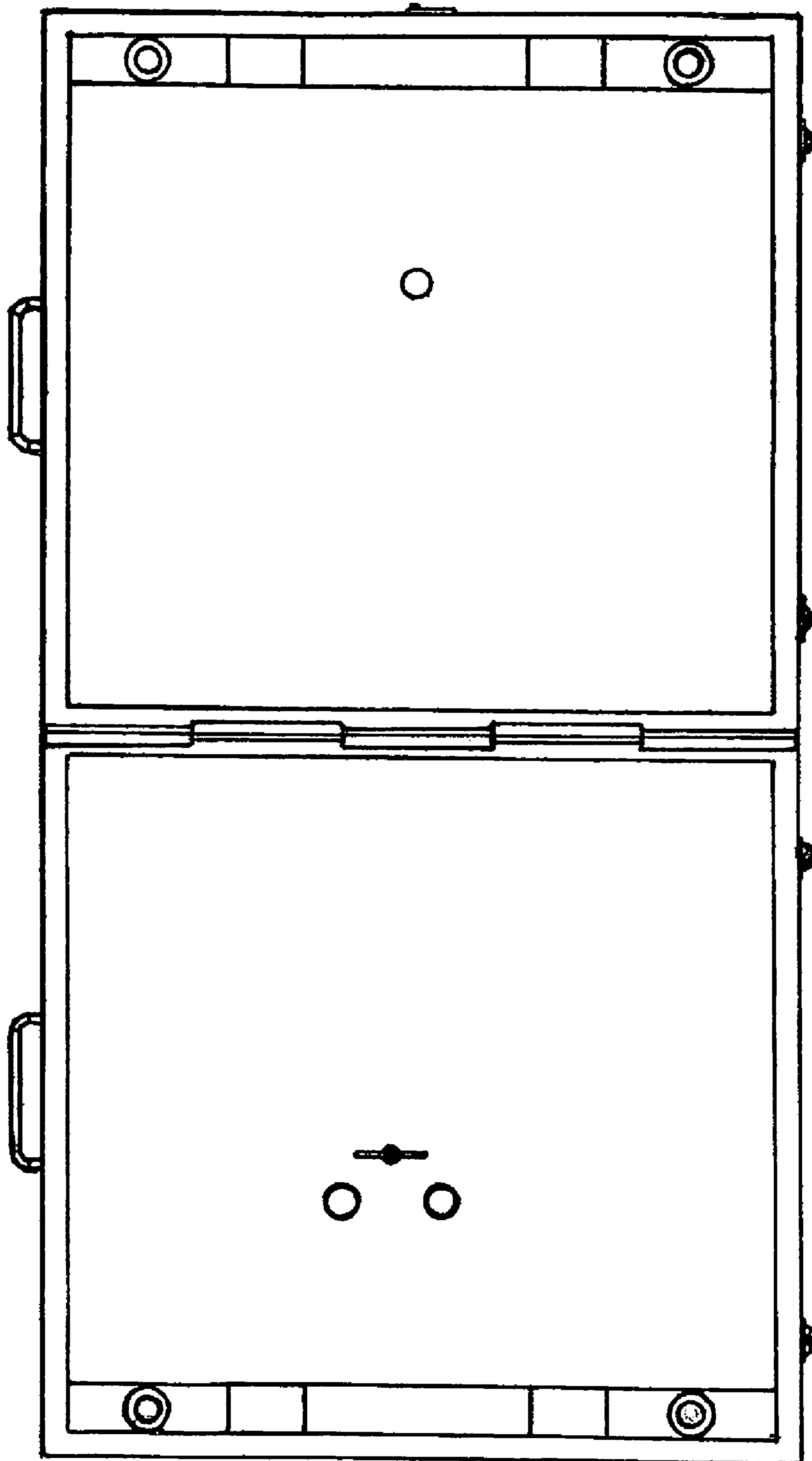


Fig. 8



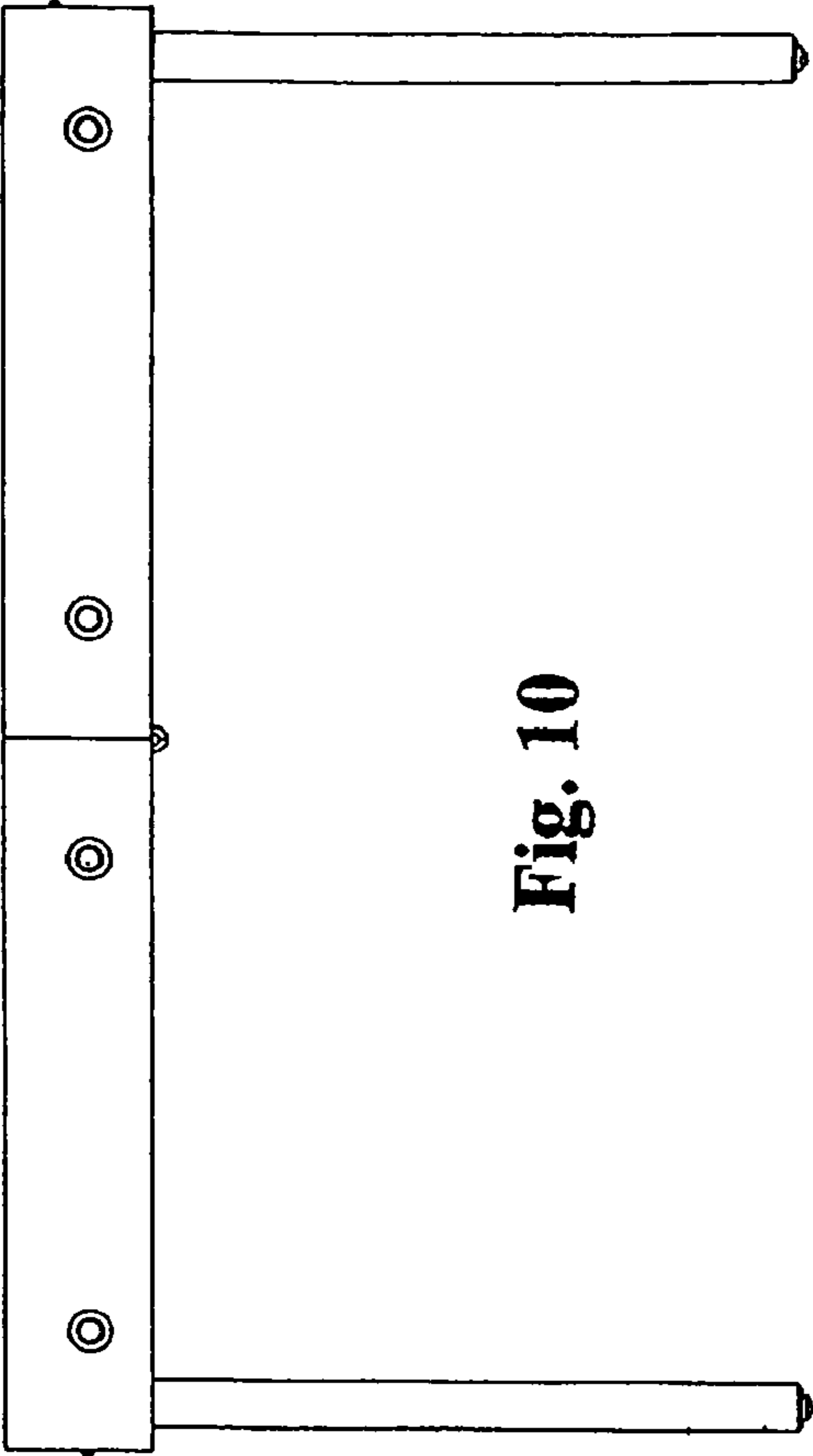


Fig. 10

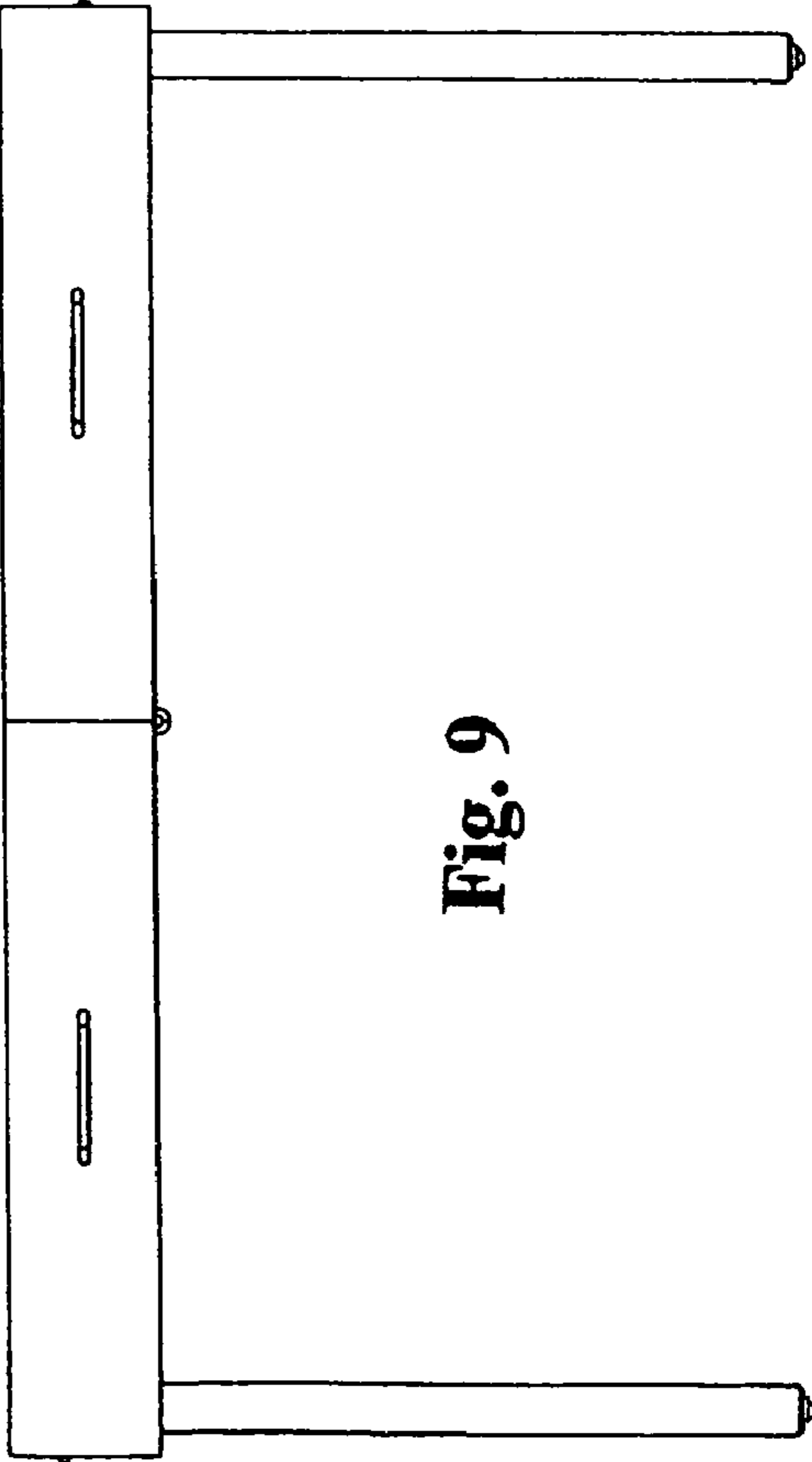


Fig. 9



Fig. 12

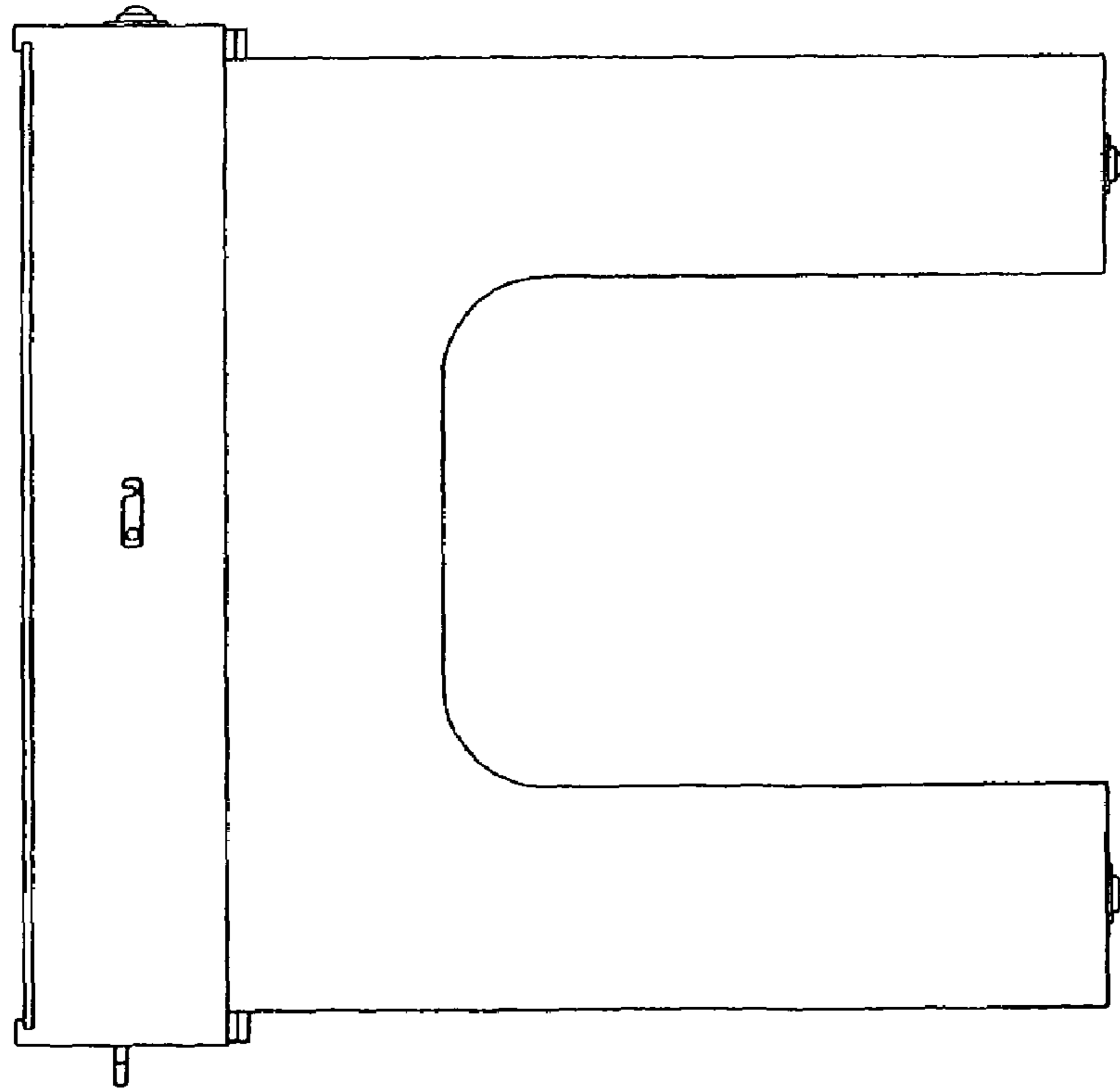
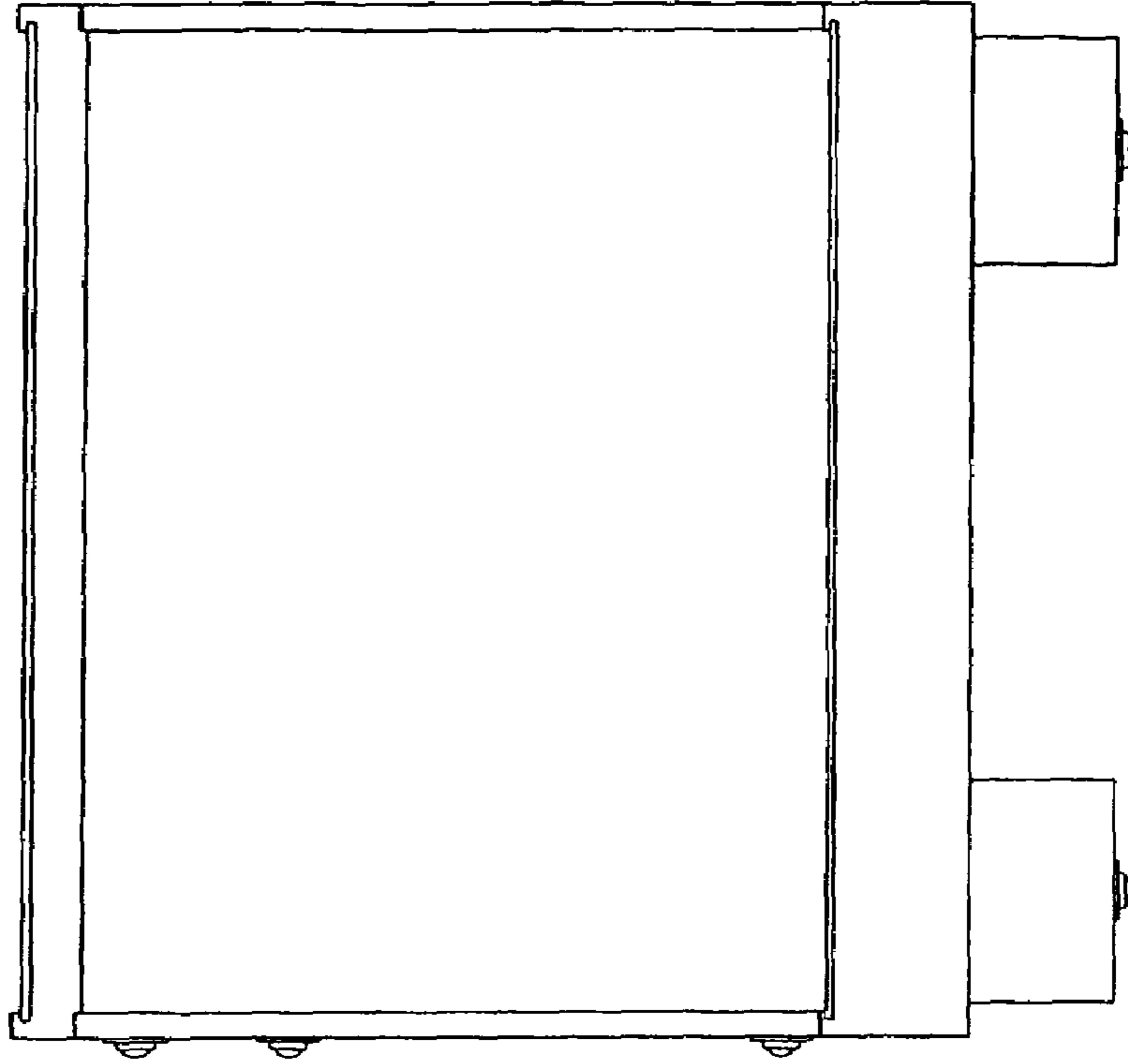


Fig. 11

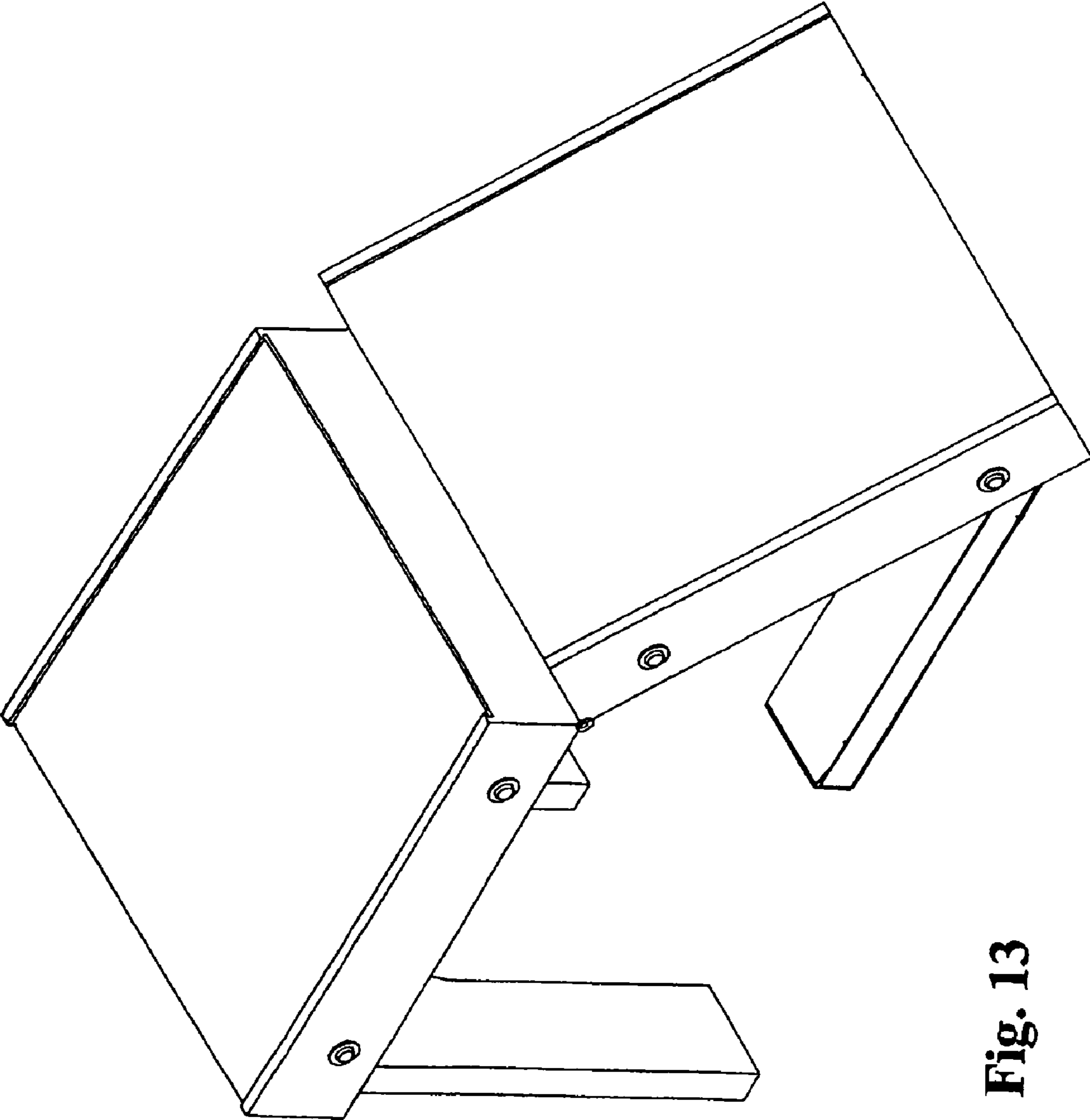


Fig. 13

