



US00D593340S

(12) **United States Design Patent**
Austen et al.

(10) **Patent No.:** **US D593,340 S**
(45) **Date of Patent:** **** Jun. 2, 2009**

(54) **INFLATABLE TWO CHAMBER BED WITH
RAISED HEADBOARD**

CN 2889020 Y 4/2007
EP 1 616 508 A2 1/2006
EP 1 680 980 A1 7/2006

(75) Inventors: **Timothy F. Austen**, Glencoe, IL (US);
Brian Coleman, Hawthorn Woods, IL
(US); **Mike Joss**, Chicago, IL (US); **Wen
Ta Sen**, Taipei (TW)

OTHER PUBLICATIONS

Notification of Transmittal of the International Search Report and the
Written Opinion of the International Searching Authority, or the
Declaration from Corresponding International Application No. PCT/
US2008/060563, dated Sep. 9, 2008, 14 pages.

(73) Assignee: **Aero Products International, Inc.**,
Schaumburg, IL (US)

(Continued)

(**) Term: **14 Years**

Primary Examiner—Janice E Seeger

(21) Appl. No.: **29/305,774**

(74) *Attorney, Agent, or Firm*—Brinks Hofer Gilson & Lione

(22) Filed: **Mar. 27, 2008**

(57) **CLAIM**

(51) **LOC (9) Cl.** **06-02**

We claim the ornamental design for an inflatable two chamber
bed with raised headboard, as shown and described.

(52) **U.S. Cl.** **D6/393**

(58) **Field of Classification Search** D6/382–384,
D6/388, 392–395, 505–508, 604; 5/53.1,
5/907, 279.1, 280, 281, 2.1, 706, 710, 711,
5/733

DESCRIPTION

See application file for complete search history.

FIG. 1 is perspective view of the inflatable bed of the present
invention;

(56) **References Cited**

U.S. PATENT DOCUMENTS

712,720 A * 11/1902 Richardson 5/712
D87,579 S * 8/1932 Hoey D6/361
3,740,095 A 6/1973 Nell
4,099,773 A 7/1978 Chang
4,964,183 A 10/1990 LaForce, Jr.
5,075,910 A 12/1991 Morten
5,341,530 A 8/1994 Ward
D371,252 S 7/1996 Chaput
5,623,736 A 4/1997 Soltani
D412,795 S * 8/1999 Bargagli-Stoffi D6/393
5,947,563 A 9/1999 Klimenko
5,951,111 A 9/1999 Klimenko

FIG. 2 is a top plan view of the inflatable bed of the present
invention;

FIG. 3 is a bottom plan view of the inflatable bed of the
present invention;

FIG. 4 is a right side elevation view of the inflatable bed of the
present invention;

FIG. 5 is a left side elevation view of the inflatable bed of the
present invention;

FIG. 6 is a front perspective view of the inflatable bed of the
present invention; and,

FIG. 7 is a rear perspective view of the inflatable bed of the
present invention.

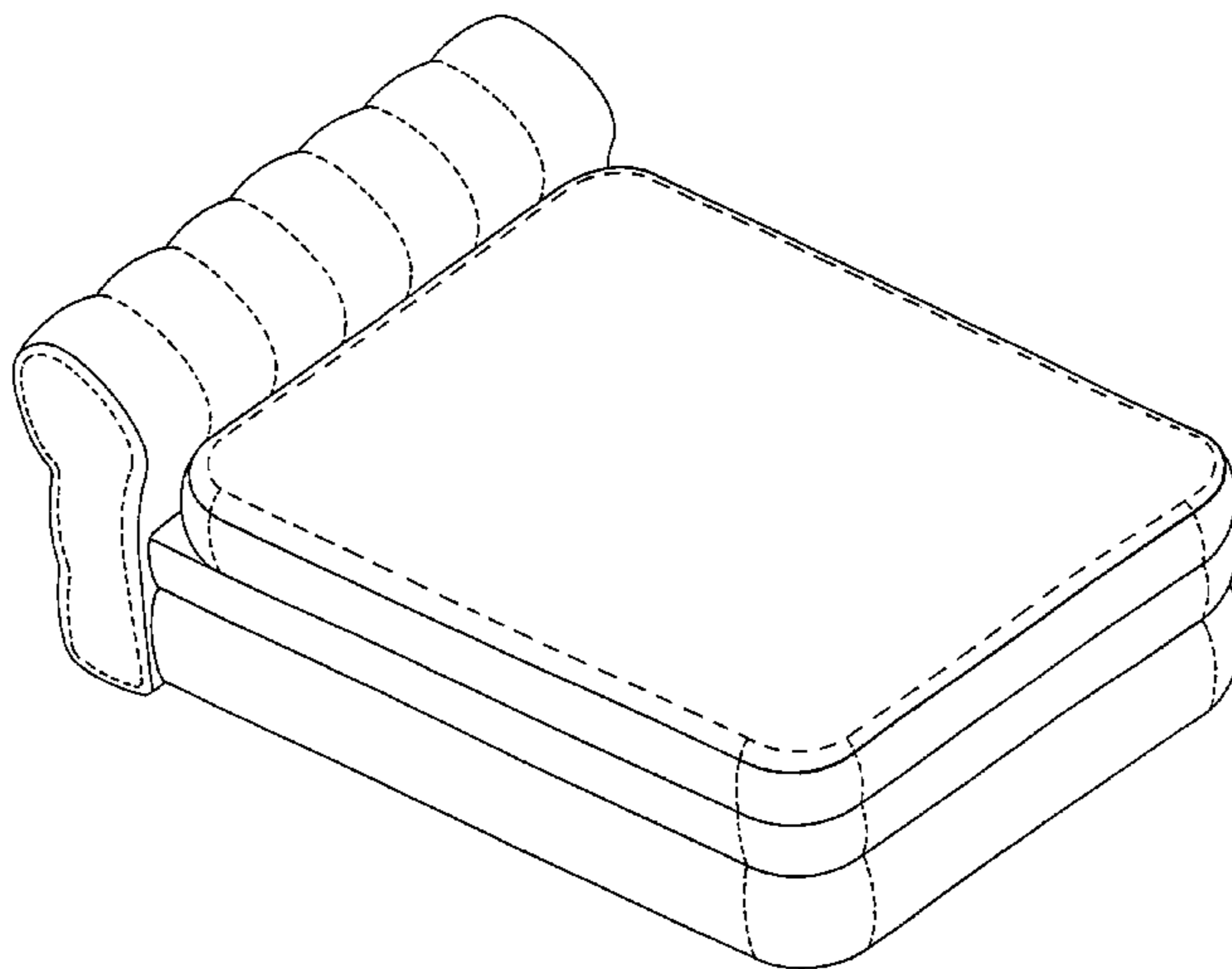
The ornamental design which is claimed is shown in solid
lines in the drawings. Any broken lines in the drawings are for
illustrative purposes only and form no part of the claimed
design.

(Continued)

FOREIGN PATENT DOCUMENTS

CN 2374085 Y 4/2000

1 Claim, 4 Drawing Sheets



US D593,340 S

Page 2

U.S. PATENT DOCUMENTS

D416,063 S 11/1999 Scheurer
6,152,530 A 11/2000 Hsu
6,224,444 B1 5/2001 Klimenko
D455,909 S * 4/2002 Wistehuff, Sr. D6/393
D465,540 S 11/2002 Peterson
D466,176 S 11/2002 Peterson
D481,438 S 10/2003 Peterson
D482,096 S 11/2003 Peterson
D483,088 S 12/2003 Zheng
D489,113 S 4/2004 Peterson
D489,114 S 4/2004 Peterson
D501,112 S 1/2005 Kasatshko
D505,029 S * 5/2005 Risdon et al. D6/393
6,971,936 B2 12/2005 Le Gette
7,178,186 B2 2/2007 Harris

D554,223 S 10/2007 Peterson
D554,224 S 10/2007 Peterson
D554,727 S 11/2007 Peterson
D557,966 S * 12/2007 Gao D6/604
2006/0010606 A1 1/2006 Harris
2006/0016015 A1 1/2006 Boso et al.
2006/0163935 A1 7/2006 Harris
2007/0226900 A1 10/2007 Levinsohn

OTHER PUBLICATIONS

Transaction History from Patent Application Information Retrieval
for Co-Pending U.S. Appl. No. 12/029,966.

Transaction History from Patent Application Information Retrieval
for Co-Pending U.S. Appl. No. 29/322,793.

* cited by examiner

Fig. 1

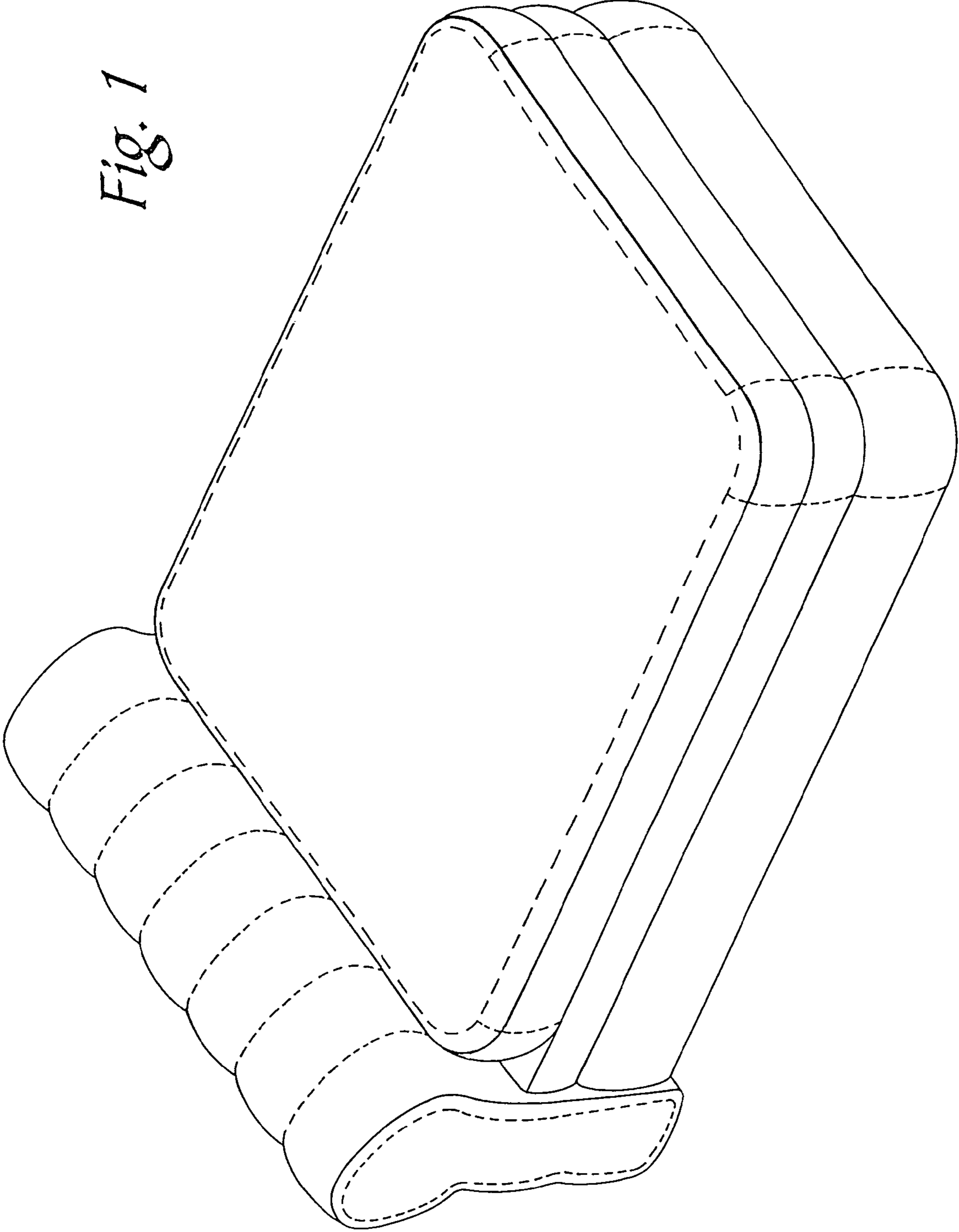


Fig. 2

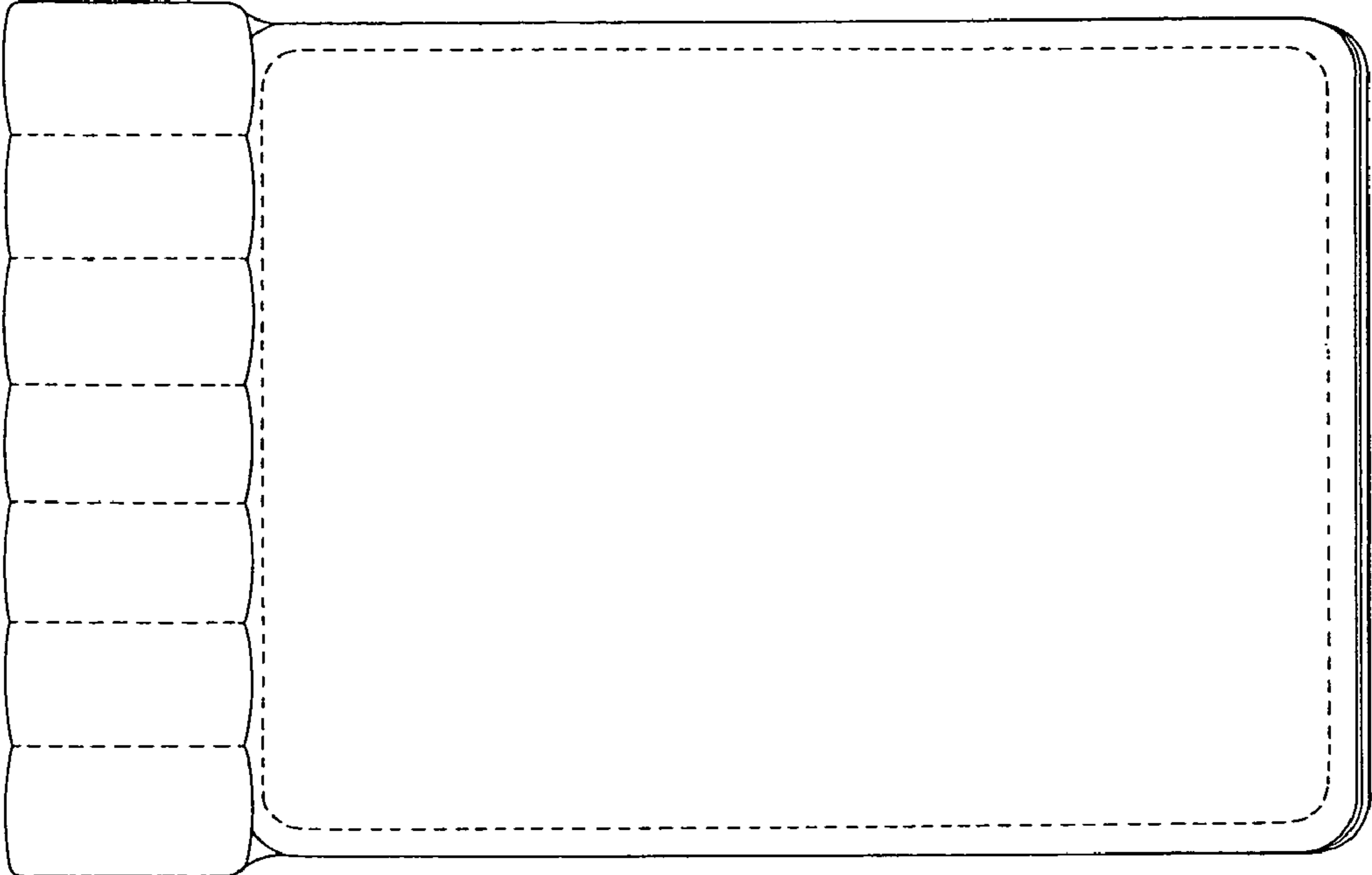


Fig. 3

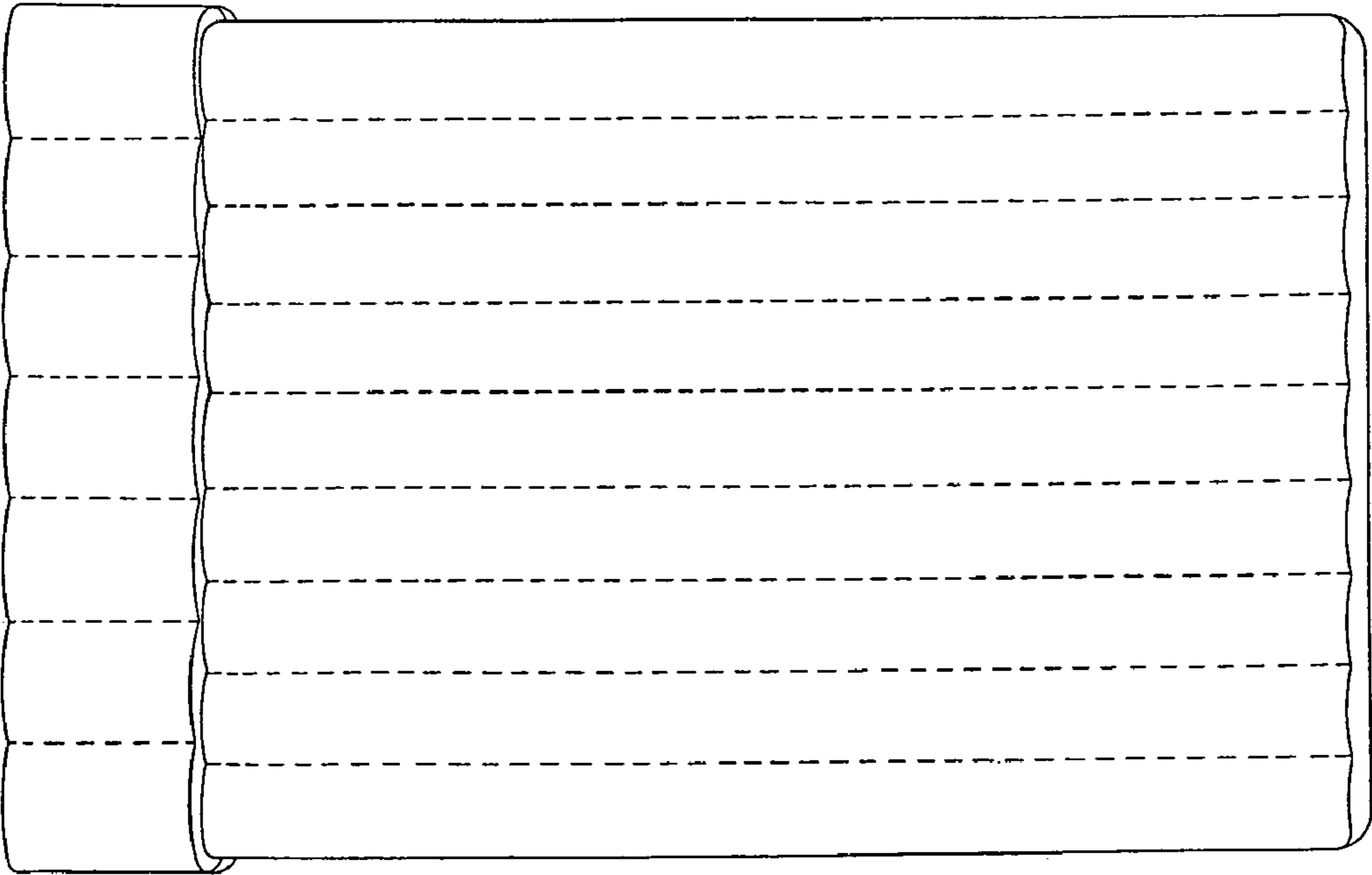


Fig. 4

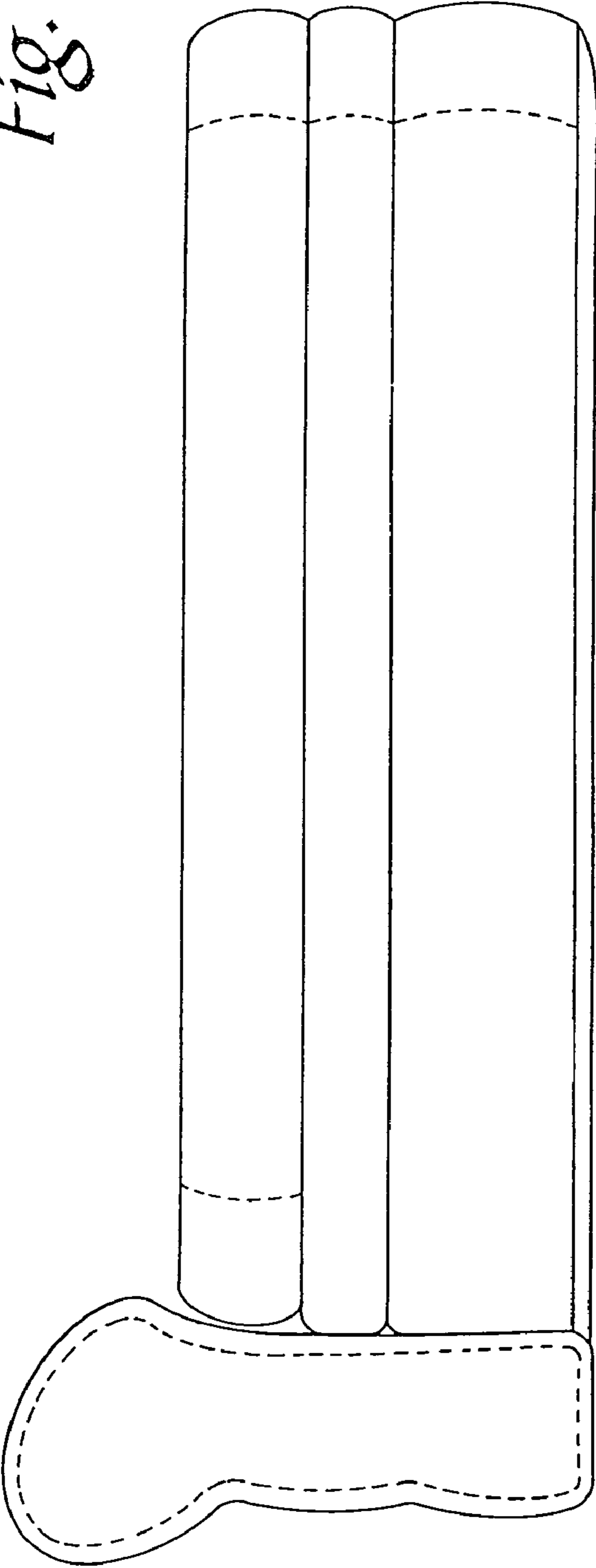


Fig. 5

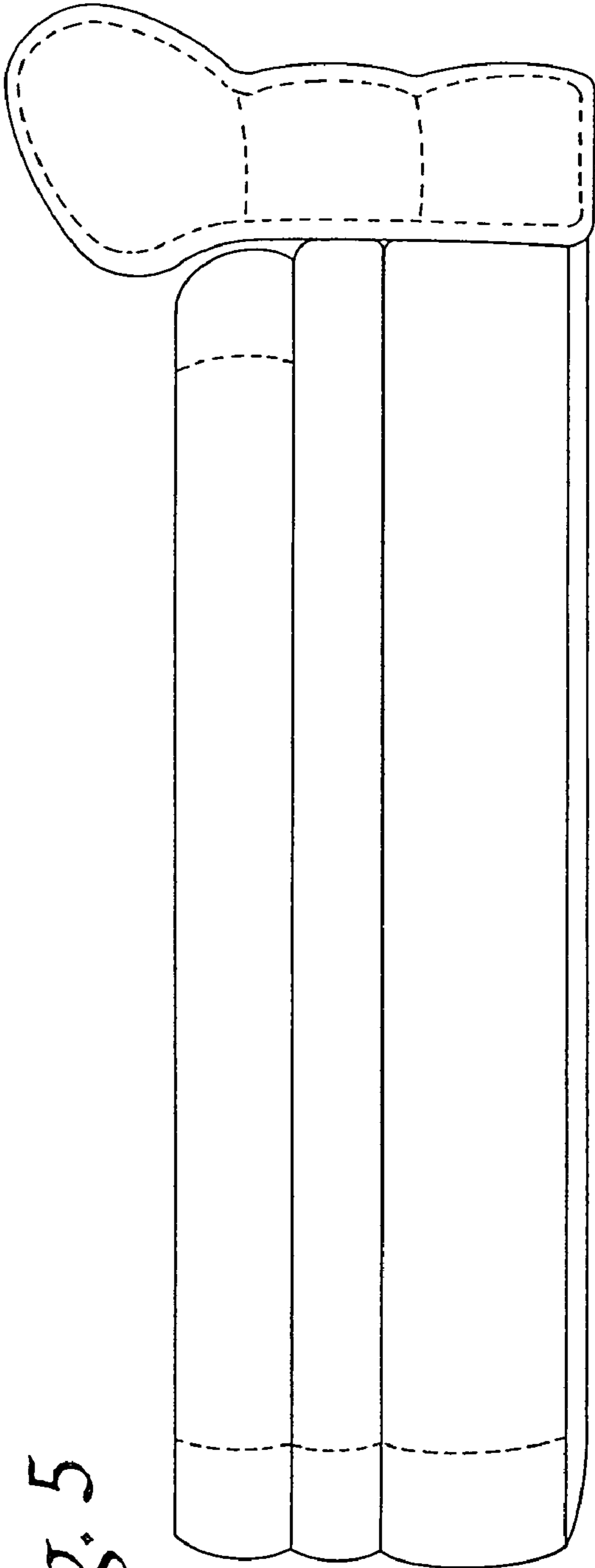


Fig. 6

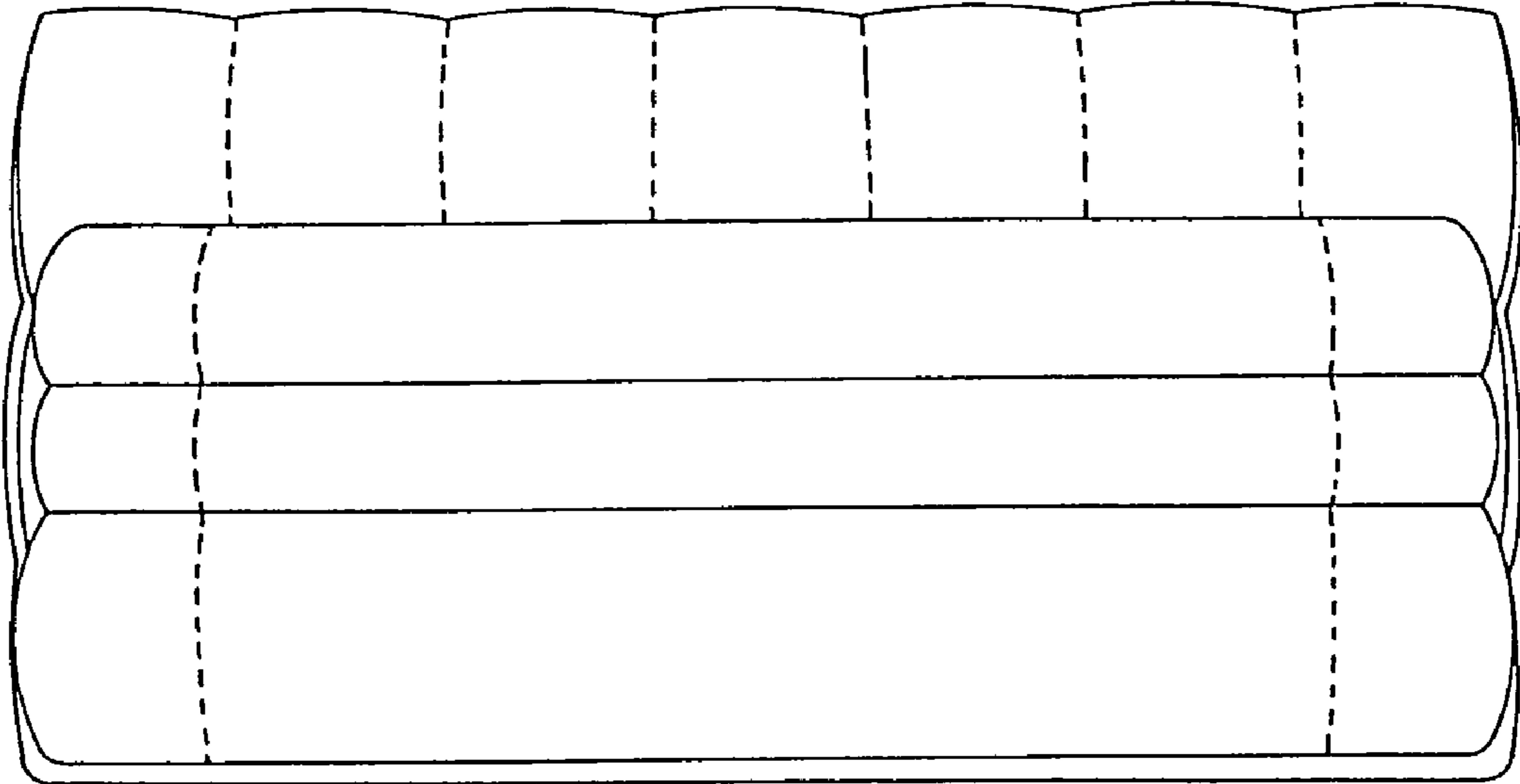


Fig. 7

