



US00D593339S

(12) **United States Design Patent**
Tomasi

(10) **Patent No.:** **US D593,339 S**
(45) **Date of Patent:** **** Jun. 2, 2009**

(54) **CHANGING TABLE**

(75) Inventor: **Ivan Tomasi**, Sovizzo (IT)

(73) Assignee: **L'Inglesina Baby S.p.A.**, Altavilla
Vicentina (IT)

(**) Term: **14 Years**

(21) Appl. No.: **29/300,262**

(22) Filed: **Mar. 6, 2008**

(30) **Foreign Application Priority Data**

Sep. 11, 2007 (EM) 000788179

(51) **LOC (9) Cl.** **06-02**

(52) **U.S. Cl.** **D6/390; D23/278**

(58) **Field of Classification Search** D6/390,
D6/391, 333, 385, 503, 505-508; 5/93.1,
5/93.2, 98.2, 99.1, 101, 105; D23/278; 4/548,
4/551, 586

See application file for complete search history.

(56) **References Cited**

U.S. PATENT DOCUMENTS

- D44,486 S * 8/1913 Merry D23/278
- 2,085,901 A * 7/1937 De Puy et al. 4/551
- 2,113,682 A * 4/1938 De Puy 4/548
- 2,160,069 A * 5/1939 Hawkins 190/2
- D326,292 S * 5/1992 Monneret D21/519
- D375,419 S * 11/1996 Levine D6/384
- D442,811 S * 5/2001 Delaplaine et al. D6/503

OTHER PUBLICATIONS

Pottery Barn Kids, Jul. 2003, p. 81, Changing table H—at right and third from the top.*

* cited by examiner

Primary Examiner—Janice E Seeger

(74) *Attorney, Agent, or Firm*—Modiano & Associati; Albert Josif; Daniel J. O'Byrne

(57) **CLAIM**

The ornamental design for the “changing table”, as shown and described.

DESCRIPTION

FIG. 1 is a perspective view of the “changing table”, showing my new design;

FIG. 2 is a front elevation view thereof;

FIG. 3 is a rear elevation view thereof showing a bath applied thereto;

FIG. 4 is a side elevation view thereof showing a bath applied thereto;

FIG. 5 is another side elevation view thereof showing a bath applied thereto;

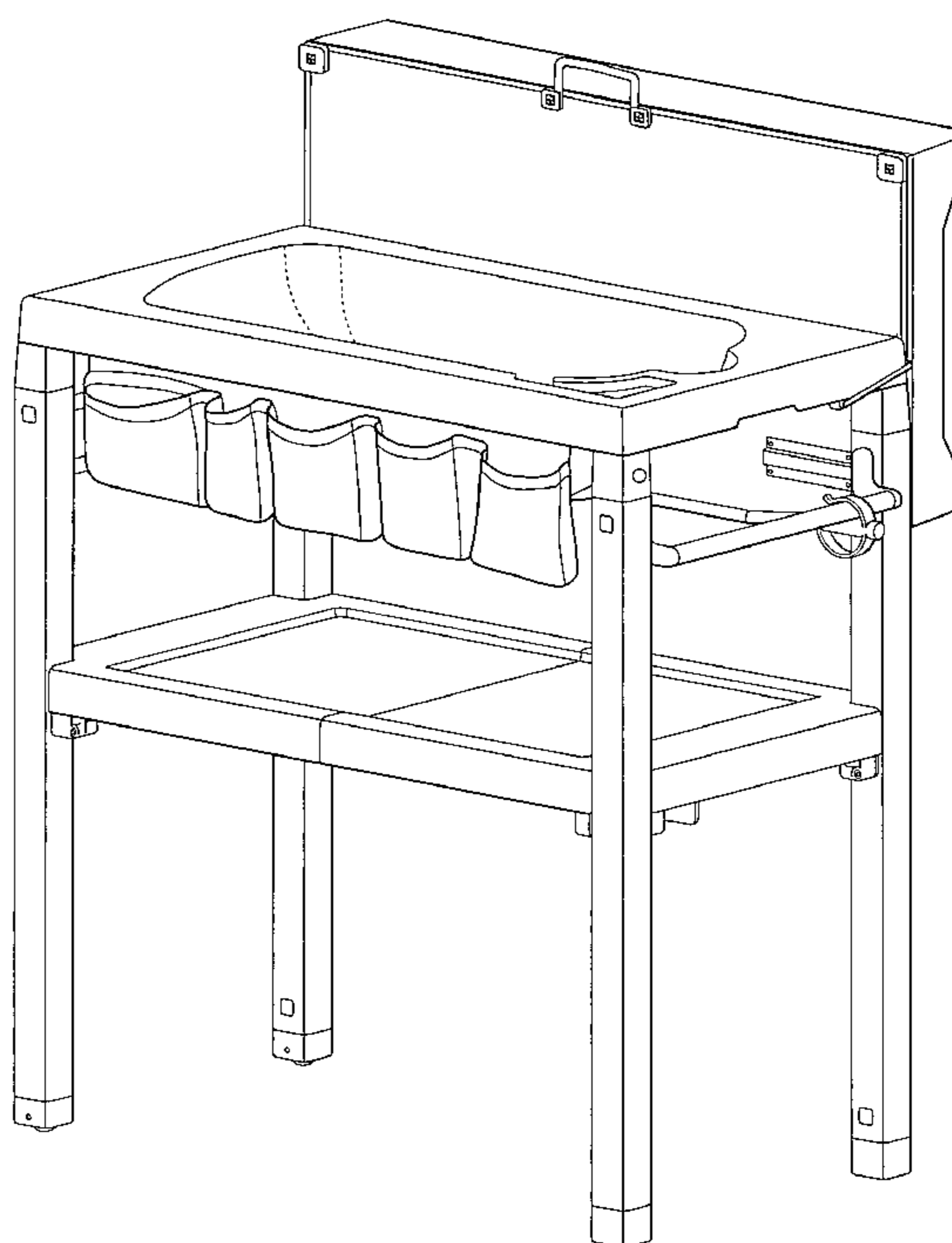
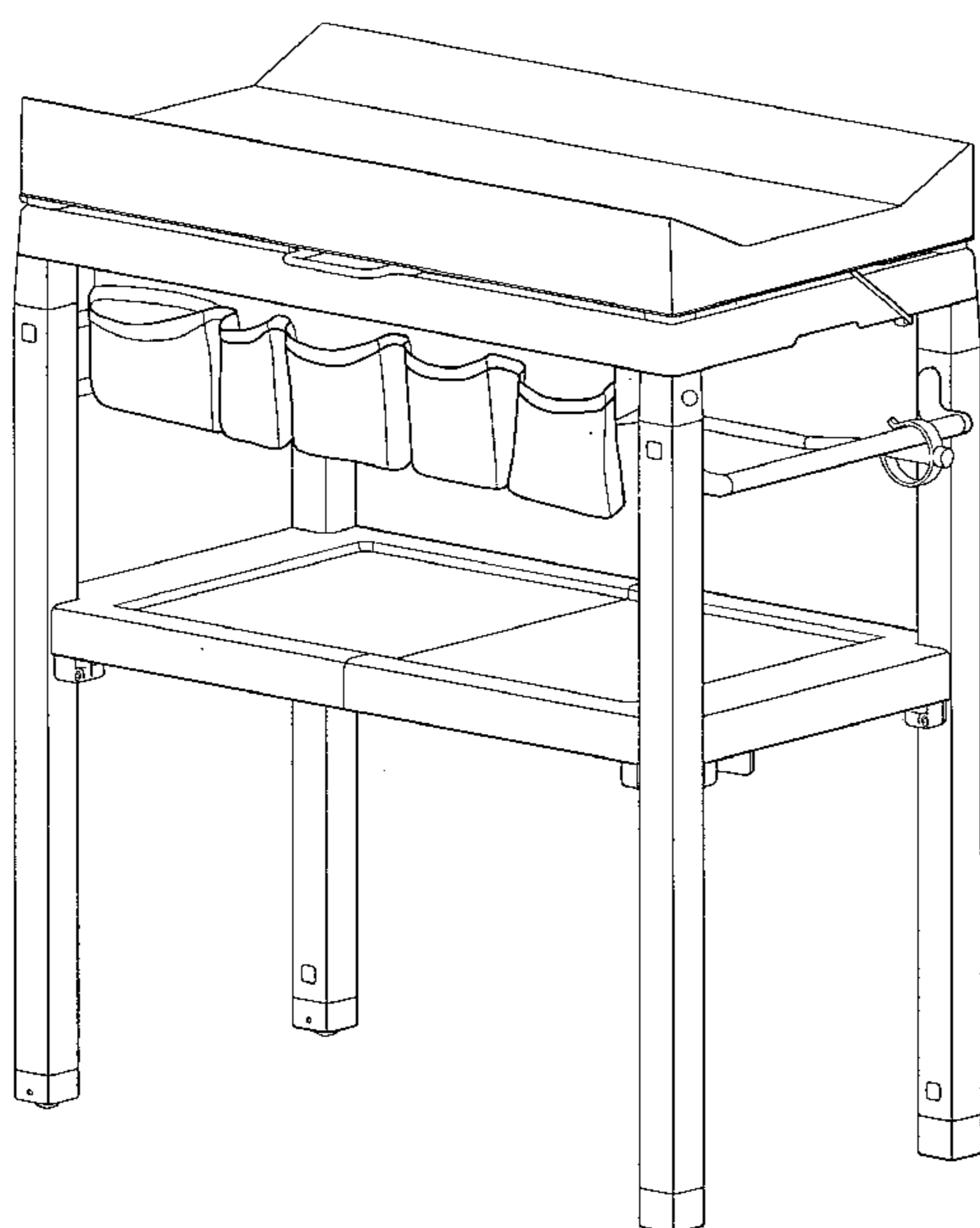
FIG. 6 is a top plan view thereof;

FIG. 7 is a bottom plan view thereof; and,

FIG. 8 is a perspective view of the table, displaying the bath.

The broken lines are for environmental purposes only and form no part of the claimed design.

1 Claim, 7 Drawing Sheets



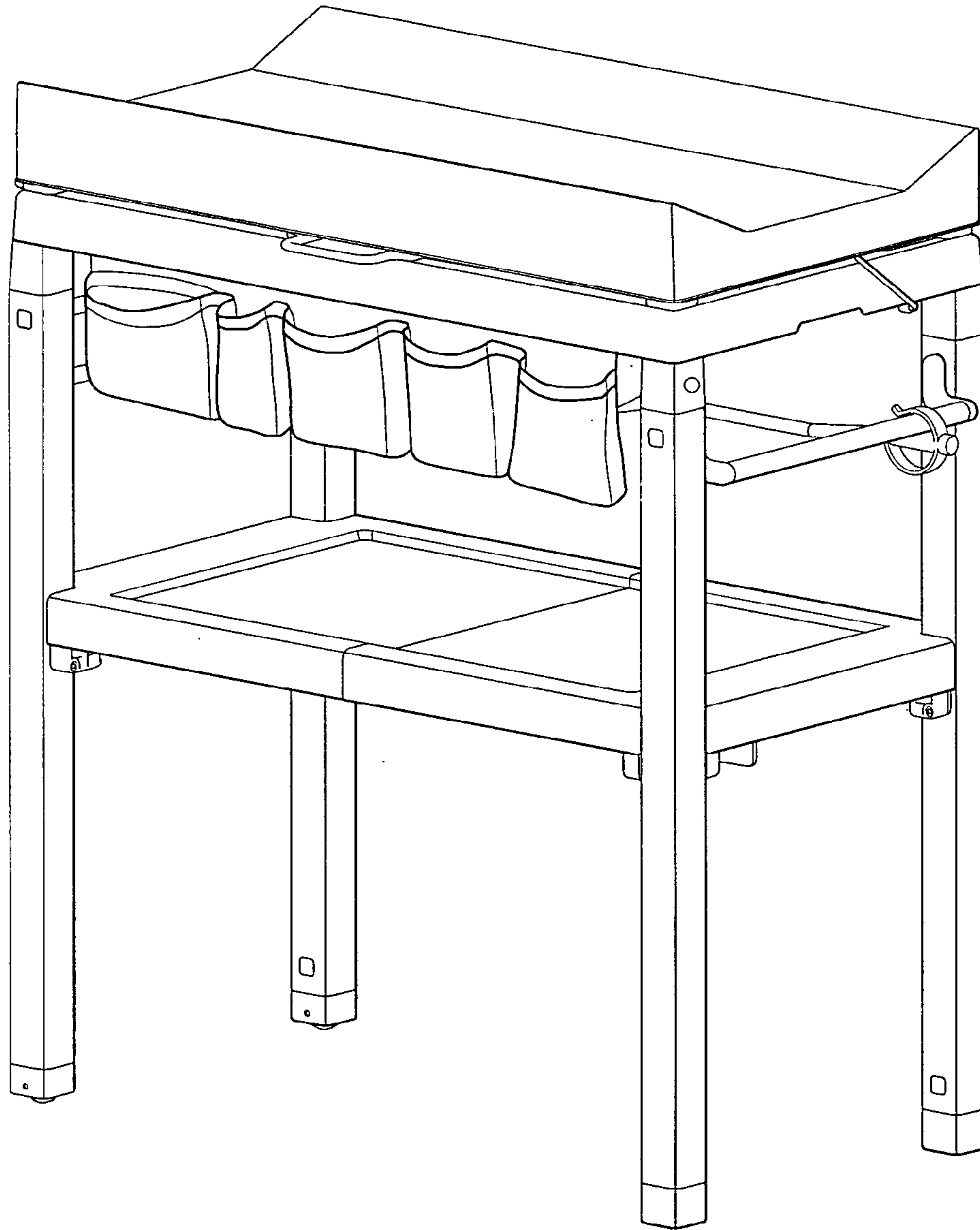


Fig. 1

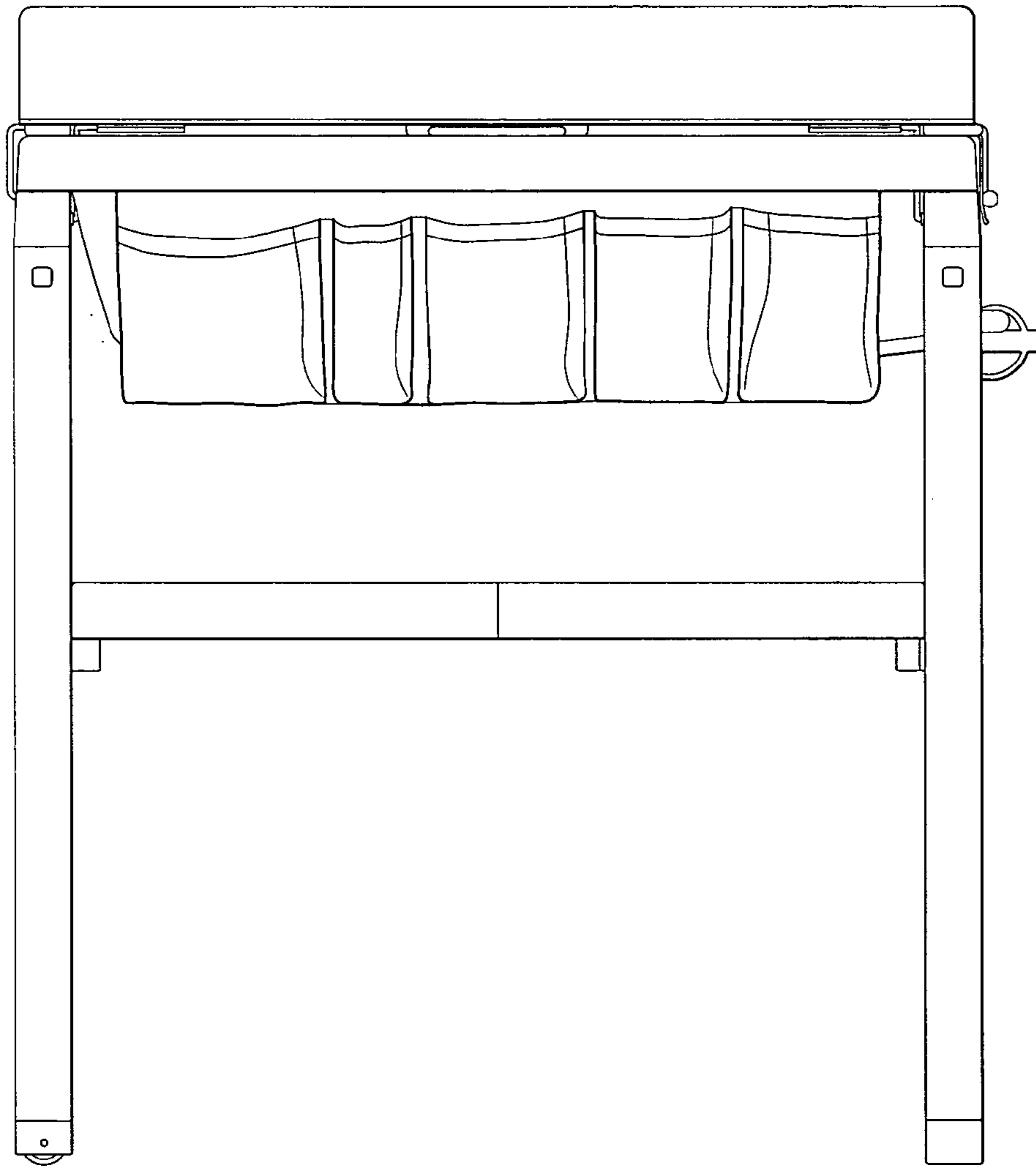


Fig. 2

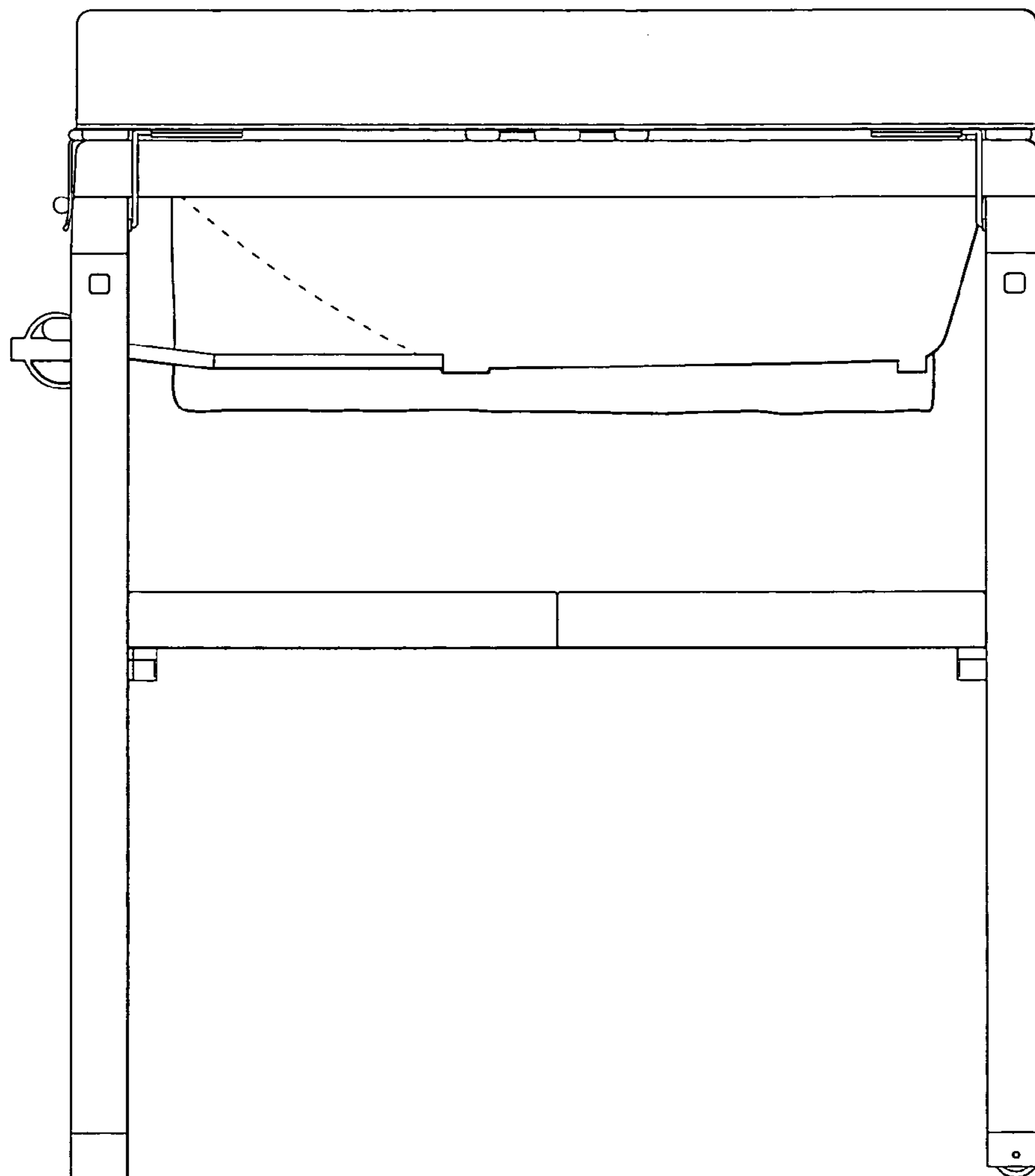


Fig. 3

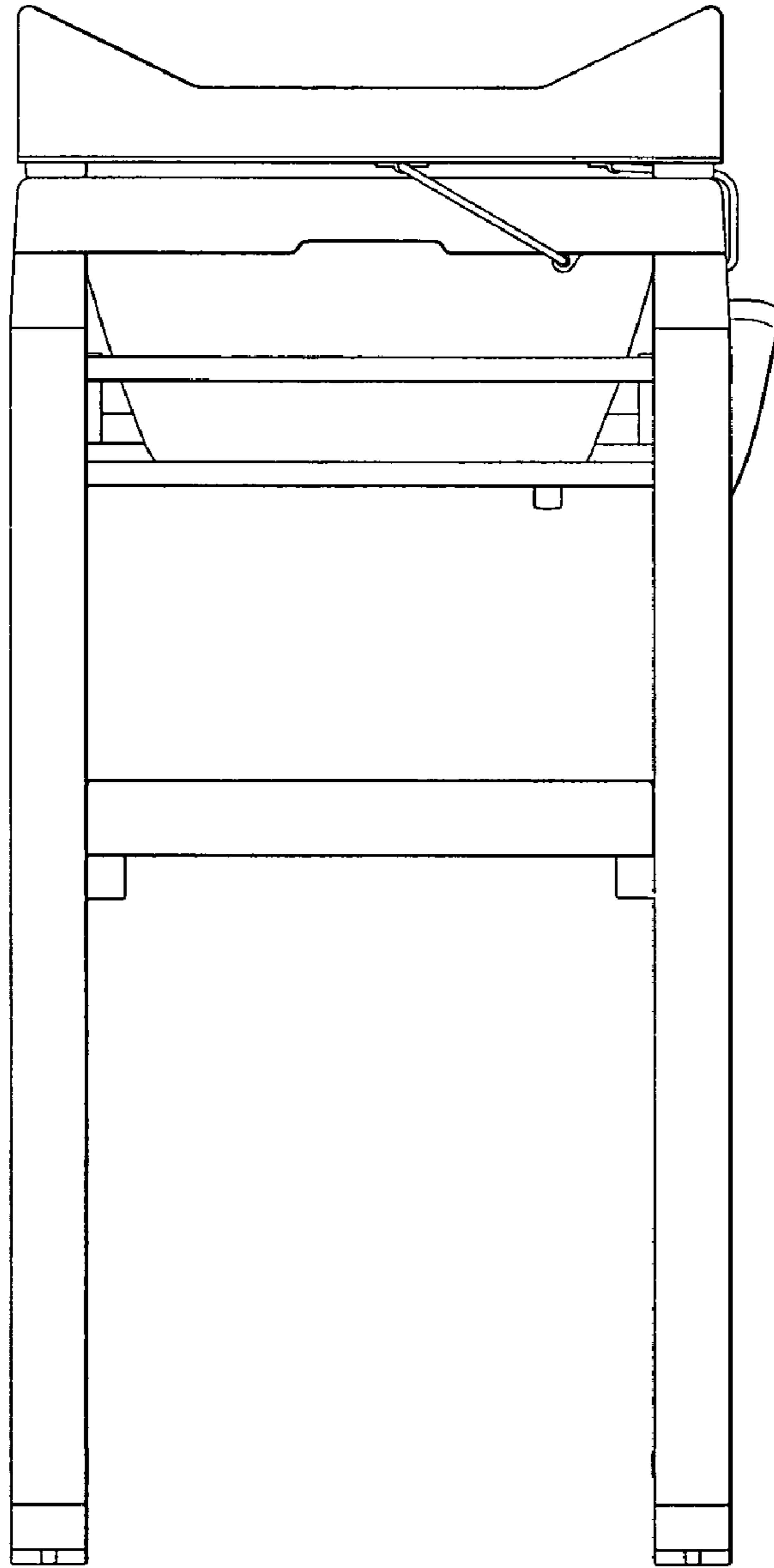


Fig. 4

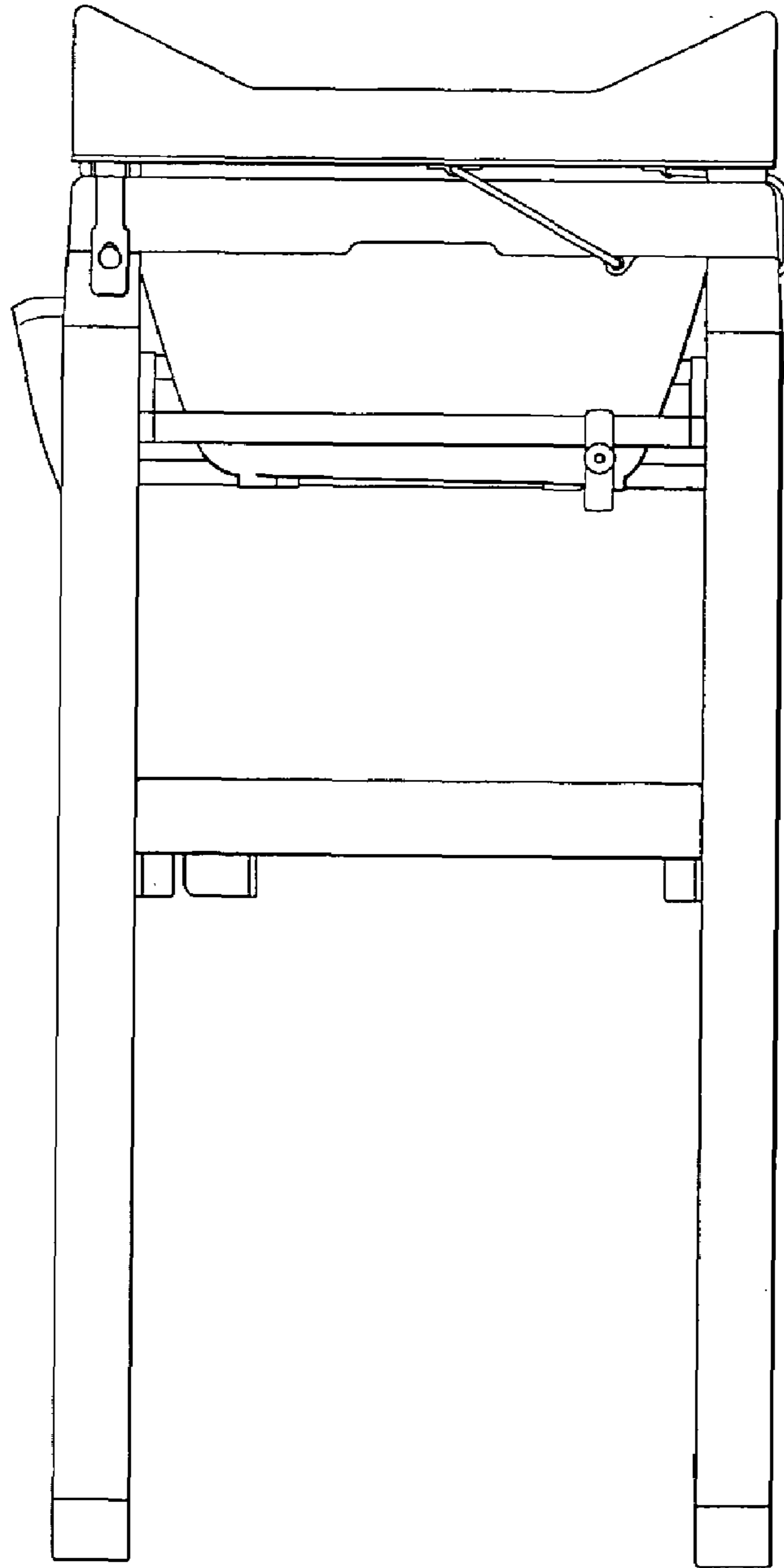


Fig. 5

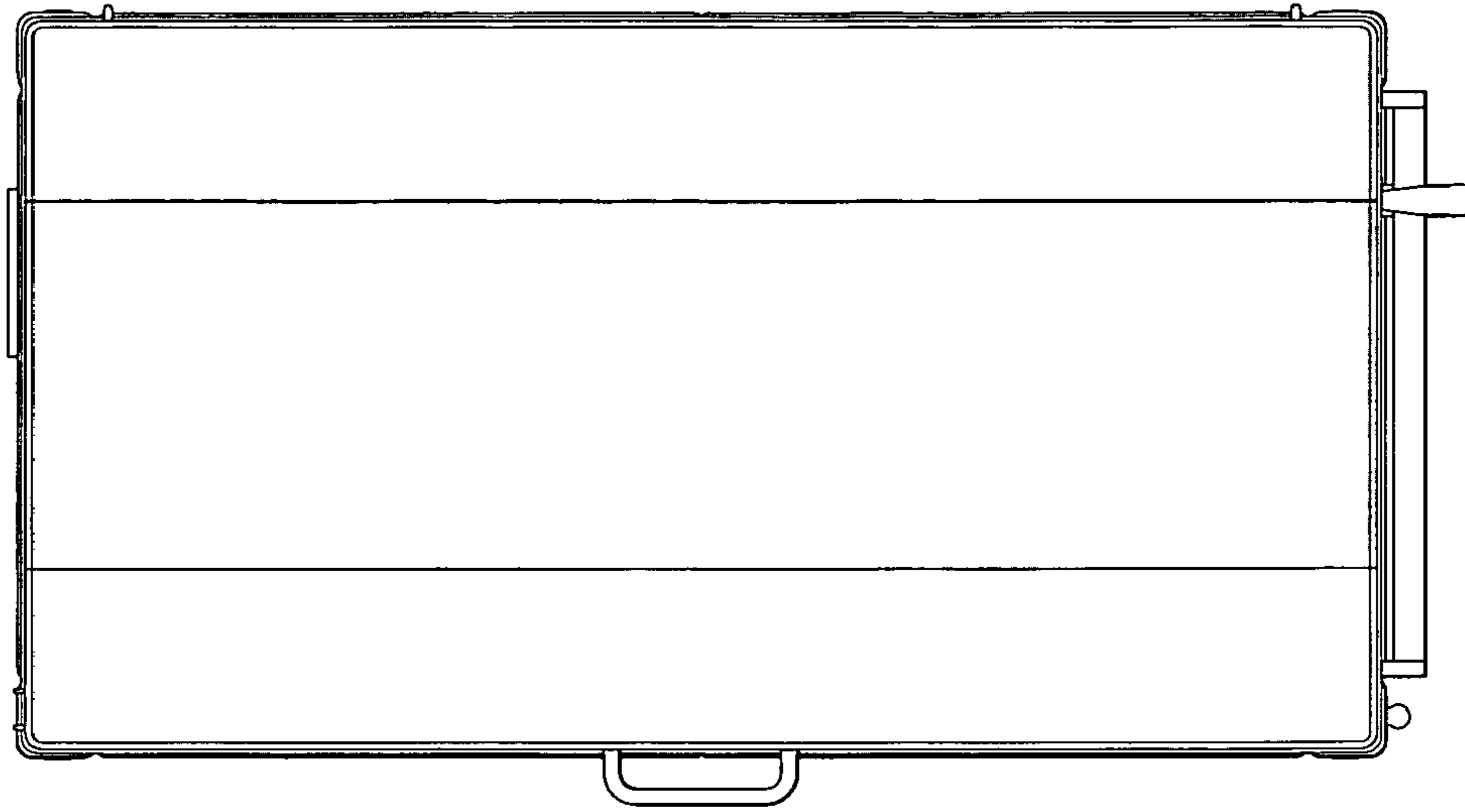


Fig. 6

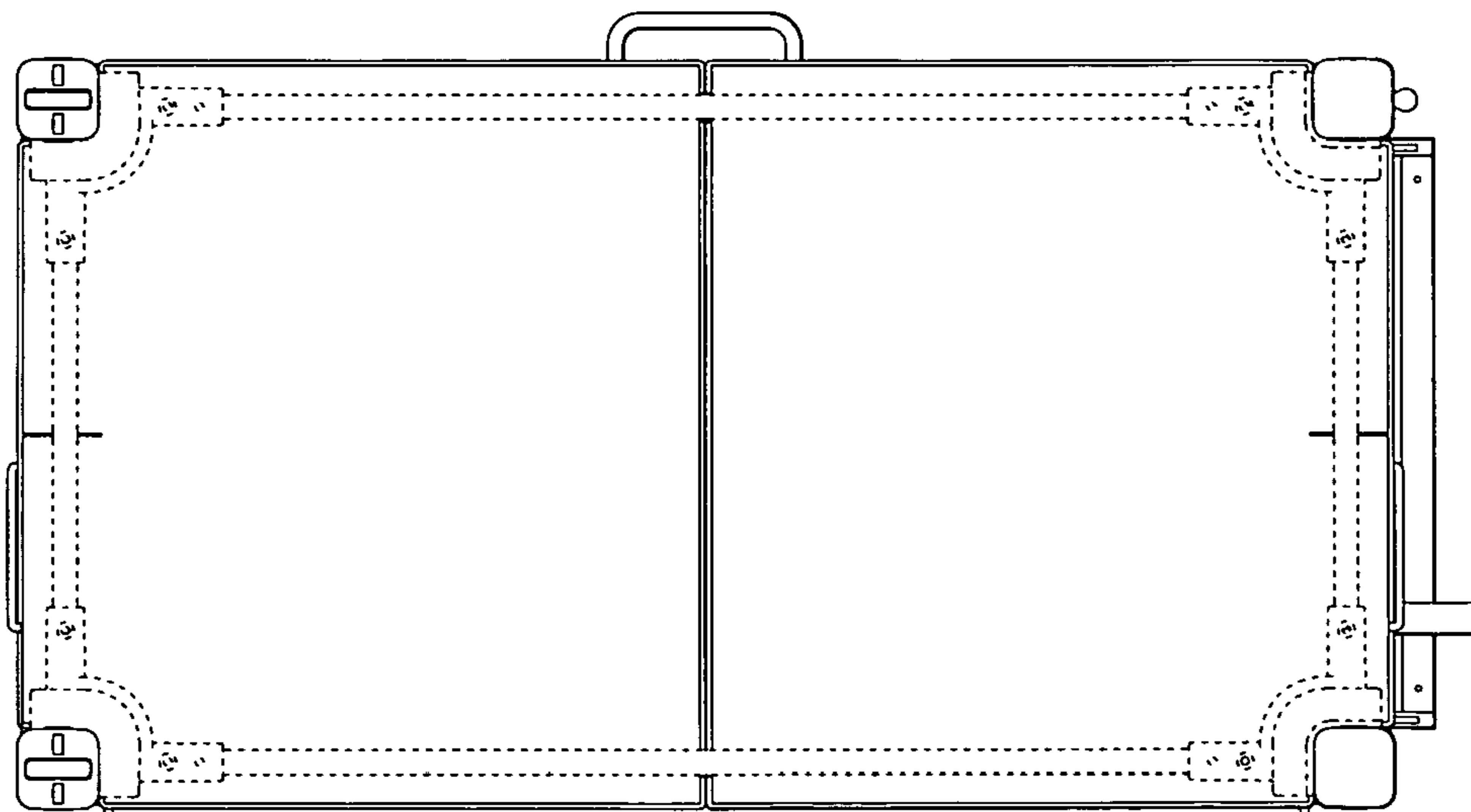


Fig. 7

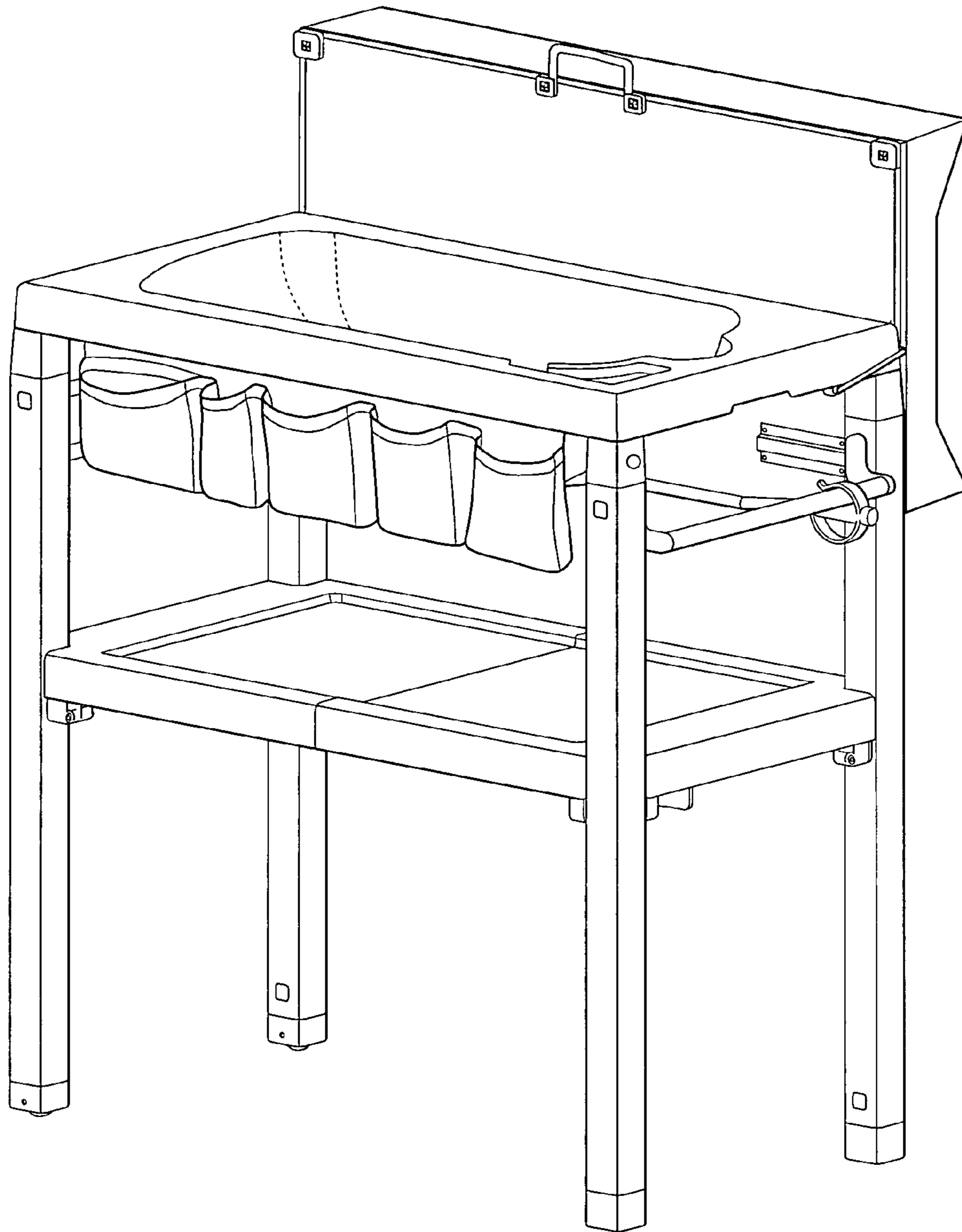


Fig. 8