



US00D593337S

(12) **United States Design Patent**  
**Su**

(10) **Patent No.:** **US D593,337 S**  
(45) **Date of Patent:** **\*\* Jun. 2, 2009**

(54) **CHAIR**

(76) Inventor: **Tung-Hua Su**, No. 6, Sec. 3, Bao Ta Road, Kuwi Jen Hsiang, Tainan Hsien (TW)

(\*\*) Term: **14 Years**

(21) Appl. No.: **29/330,669**

(22) Filed: **Jan. 12, 2009**

(51) **LOC (9) Cl.** ..... **06-01**

(52) **U.S. Cl.** ..... **D6/376**

(58) **Field of Classification Search** ..... D6/334-335, D6/364, 365, 366, 367, 369, 374, 376, 379, D6/380, 500-502; 297/411.27, 411.36, 452.29, 297/452.46, 452.64

See application file for complete search history.

(56) **References Cited**

**U.S. PATENT DOCUMENTS**

D456,650 S *	5/2002	Ball et al. ....	D6/502
D460,300 S *	7/2002	Fifield et al. ....	D6/502
D471,042 S *	3/2003	Schmitz et al. ....	D6/502
D471,370 S *	3/2003	Schmitz et al. ....	D6/366
D490,994 S *	6/2004	Schmitz et al. ....	D6/366
D505,801 S *	6/2005	Cesaroni et al. ....	D6/379
D513,457 S *	1/2006	Asano et al. ....	D6/380
D514,343 S *	2/2006	Pilcher .....	D6/376
D514,345 S *	2/2006	Igarashi .....	D6/379

D520,769 S *	5/2006	Bennett et al. ....	D6/379
D544,235 S *	6/2007	Chen .....	D6/379
D544,720 S *	6/2007	Berbegal Perez .....	D6/366
D575,085 S *	8/2008	Su .....	D6/502
D575,969 S *	9/2008	Su .....	D6/502
D577,521 S *	9/2008	Su .....	D6/502
D580,689 S *	11/2008	Su .....	D6/502
D581,708 S *	12/2008	Su .....	D6/502
D586,577 S *	2/2009	Koh .....	D6/376

\* cited by examiner

*Primary Examiner*—Mimosa De

(74) *Attorney, Agent, or Firm*—Banger Shia

(57) **CLAIM**

The ornamental design for a chair, as shown and described.

**DESCRIPTION**

FIG. 1 is a perspective view of a chair showing my new design;

FIG. 2 is a front elevation view thereof;

FIG. 3 is a rear elevation view thereof;

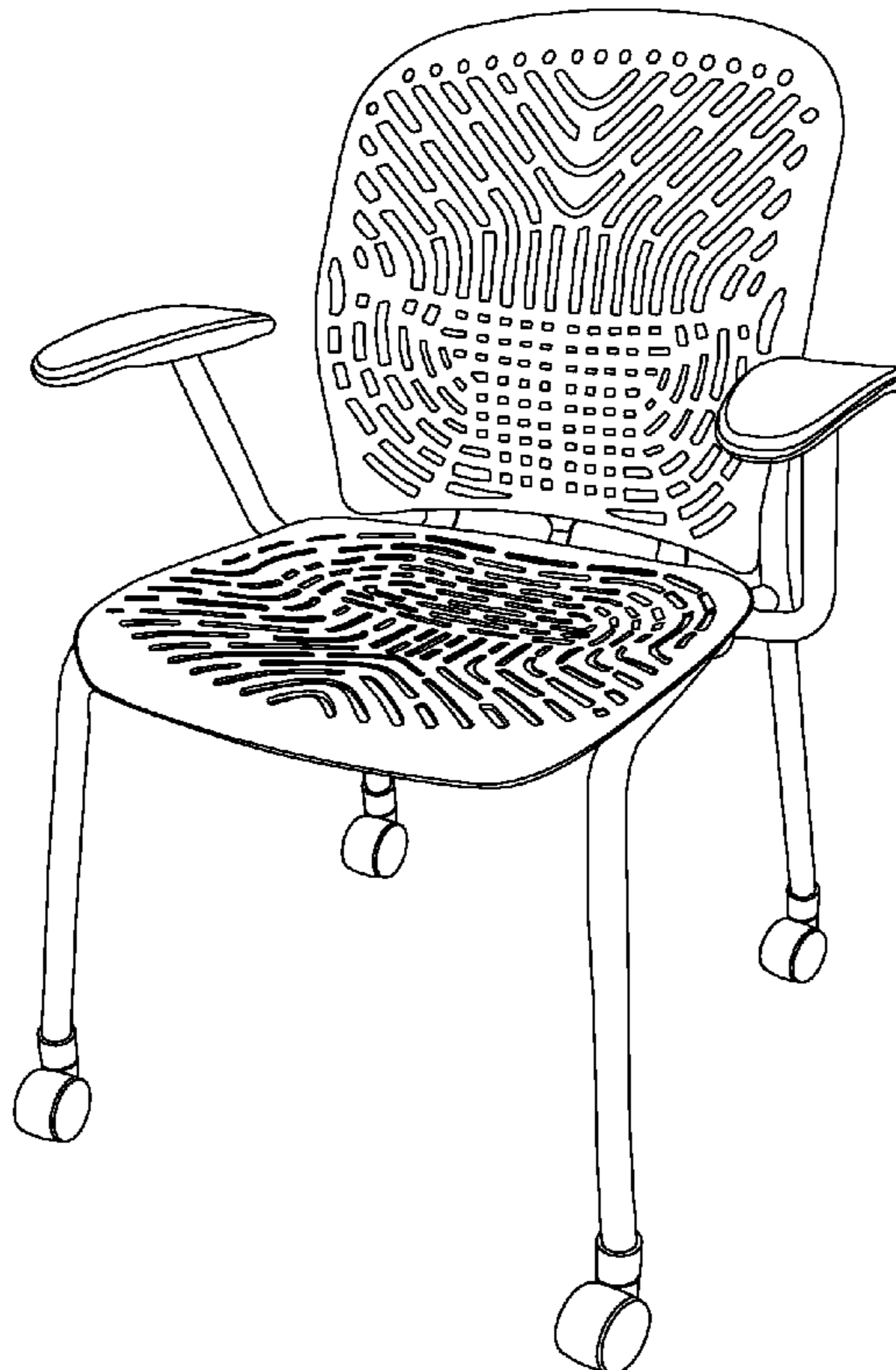
FIG. 4 is a left side elevation view thereof;

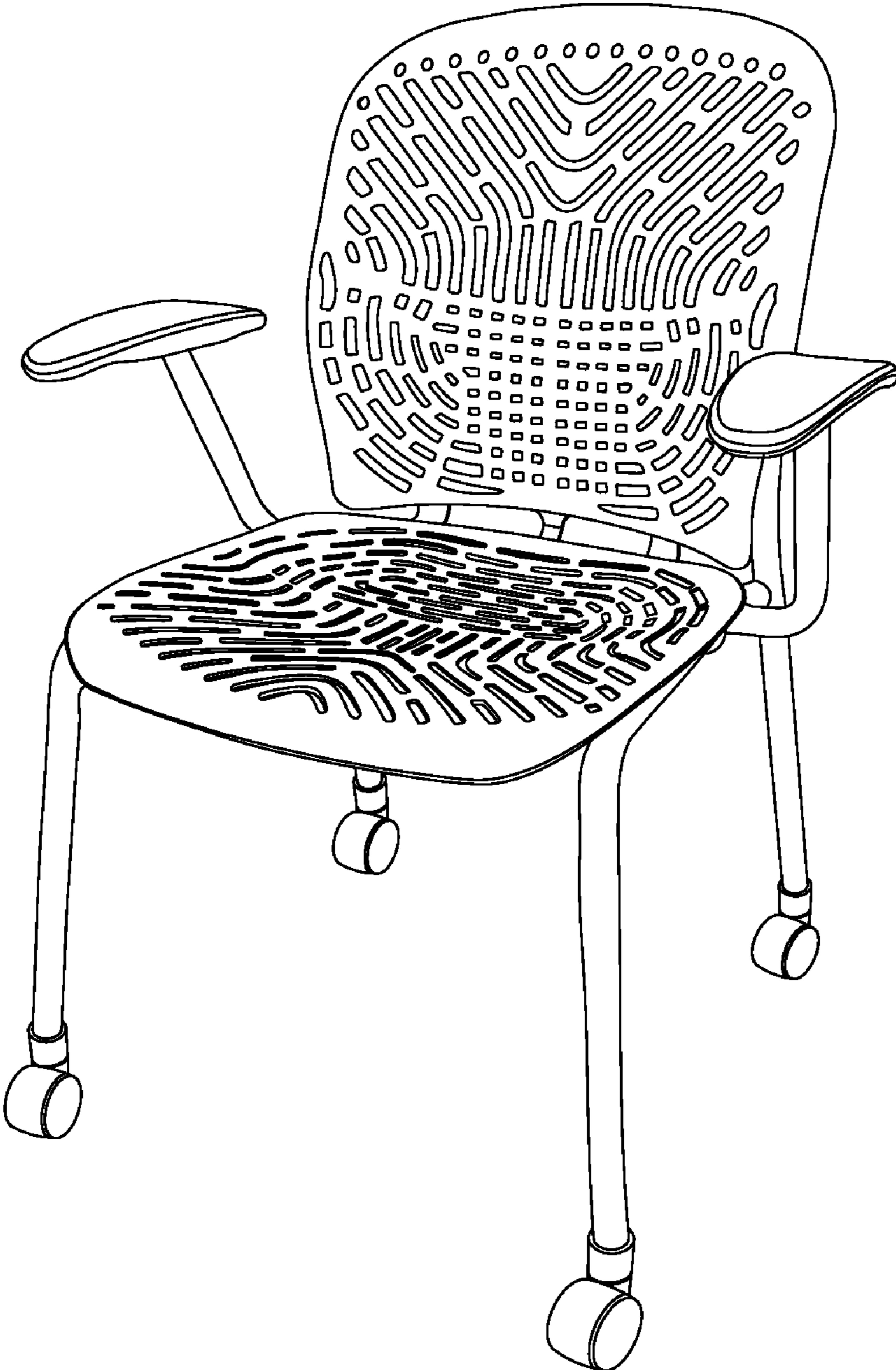
FIG. 5 is a right side elevation view thereof;

FIG. 6 is a top plan view thereof; and,

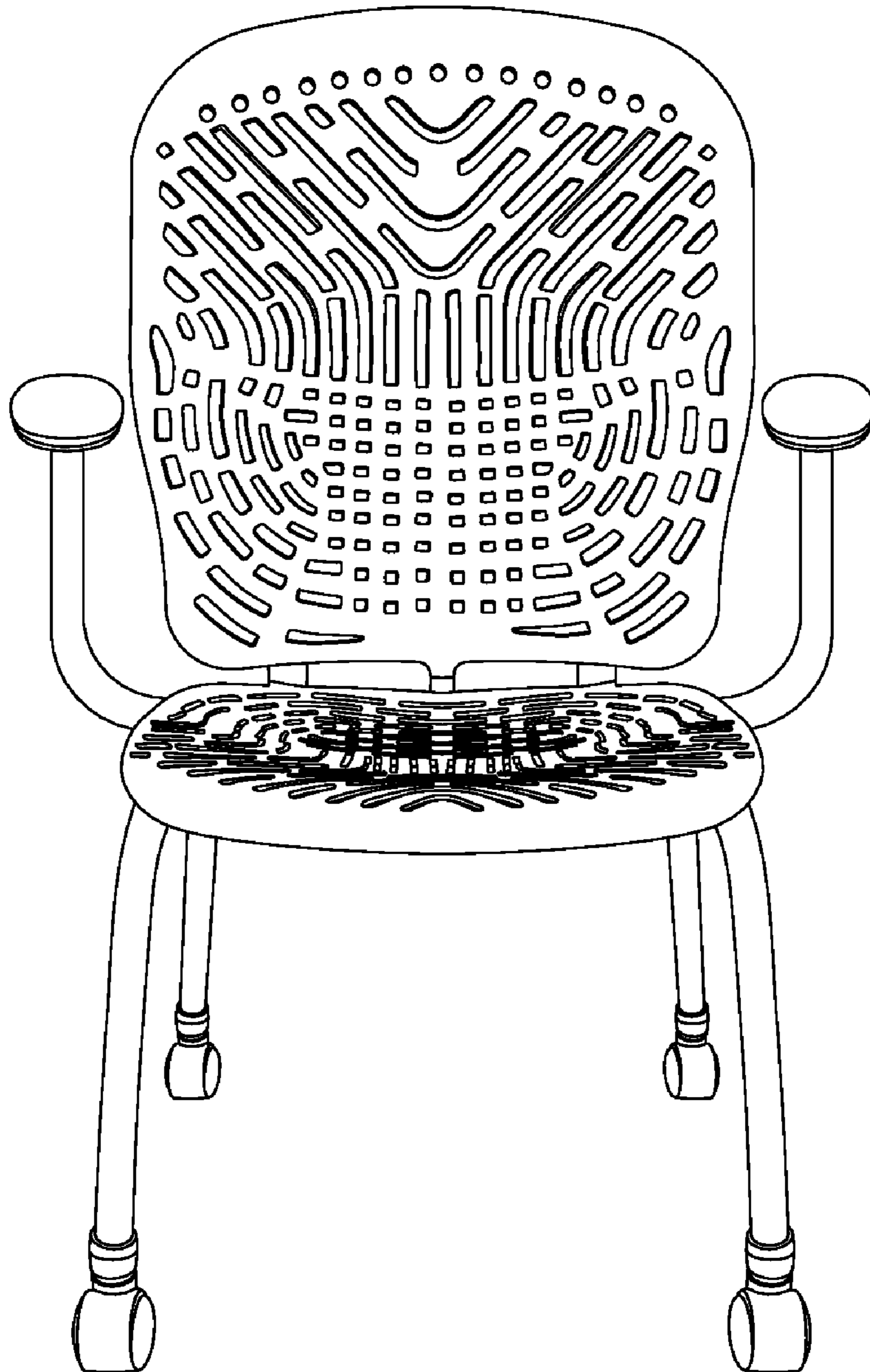
FIG. 7 is a bottom plan view thereof.

**1 Claim, 7 Drawing Sheets**





F I G . 1



F I G . 2

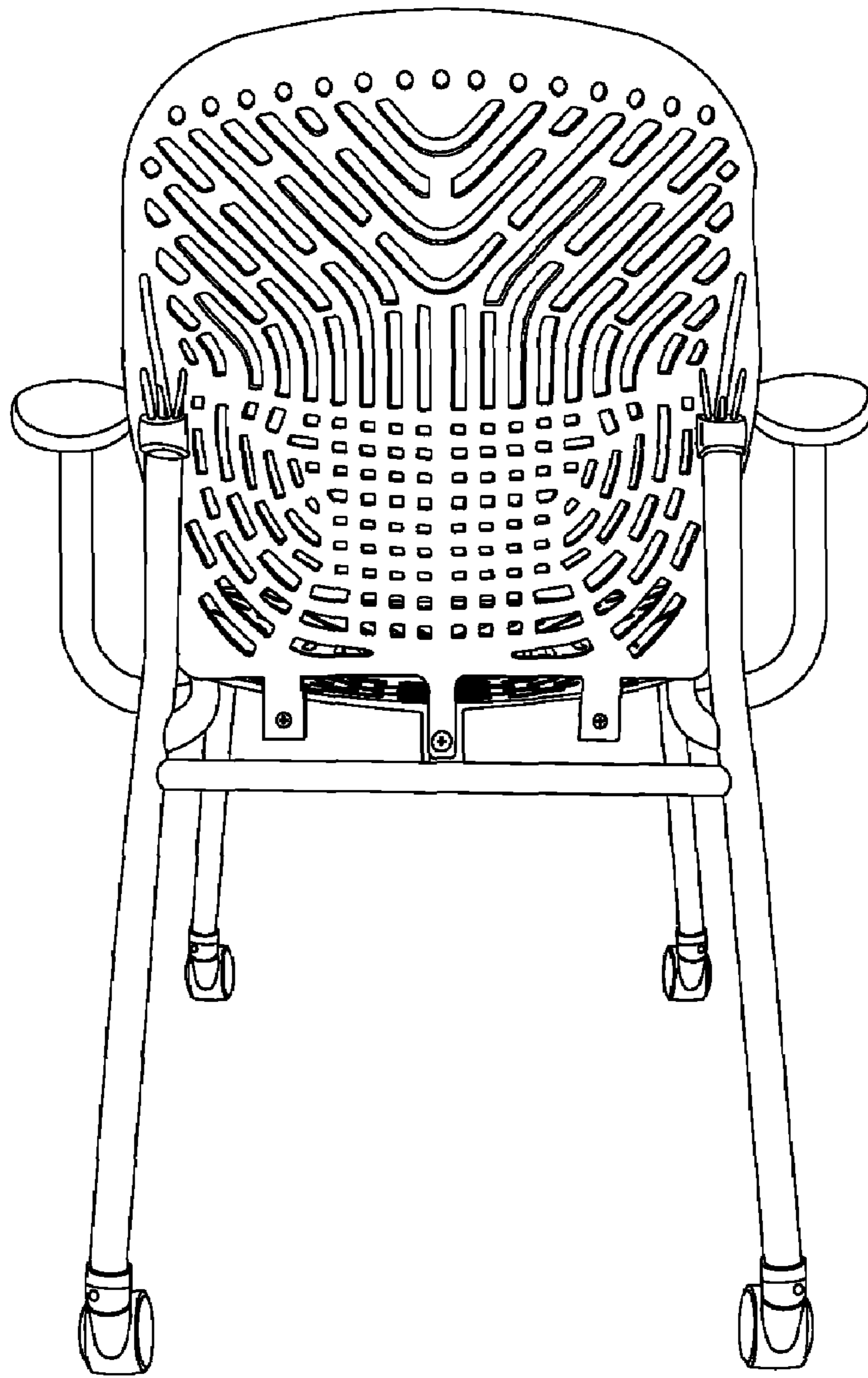
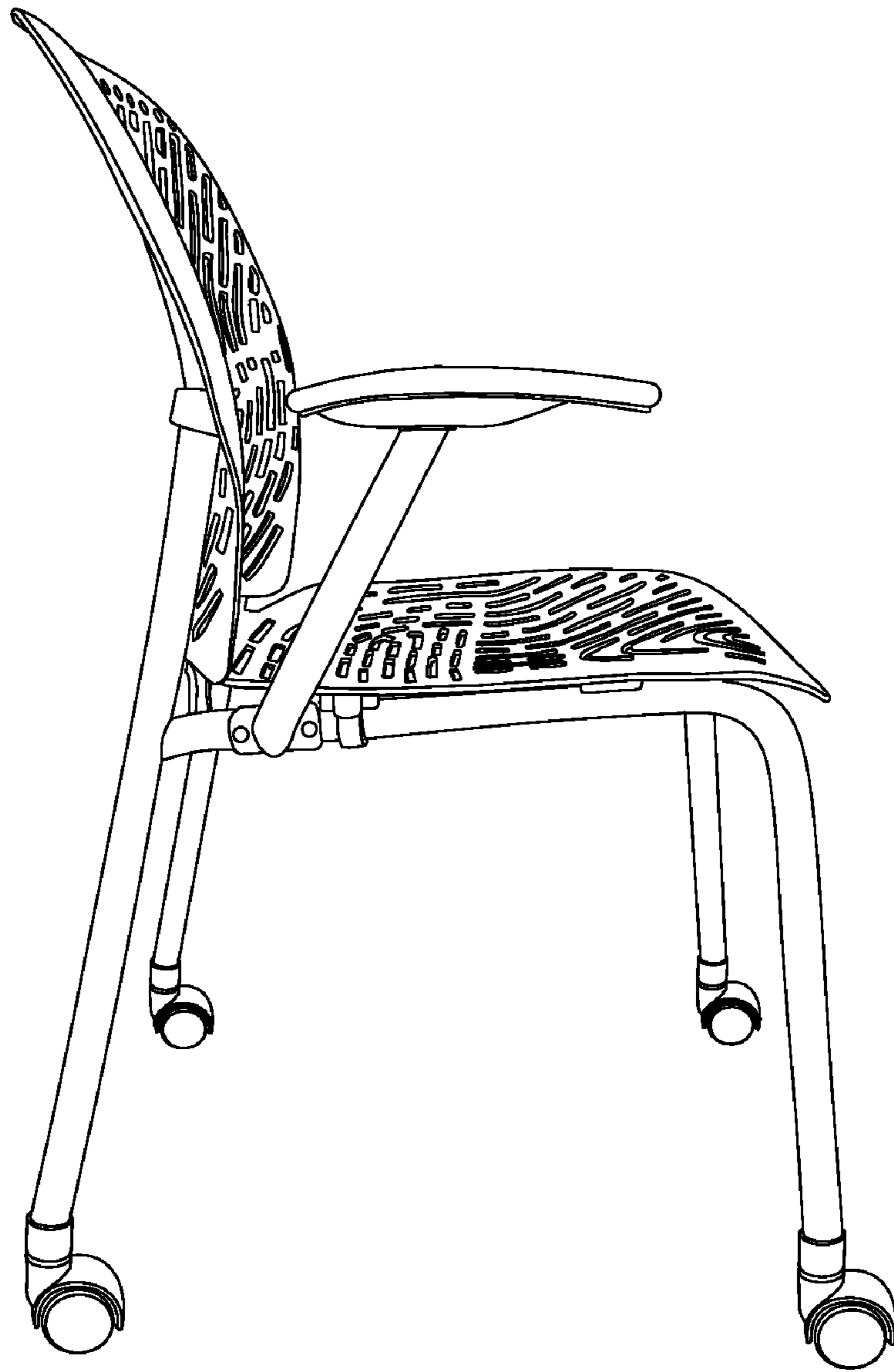
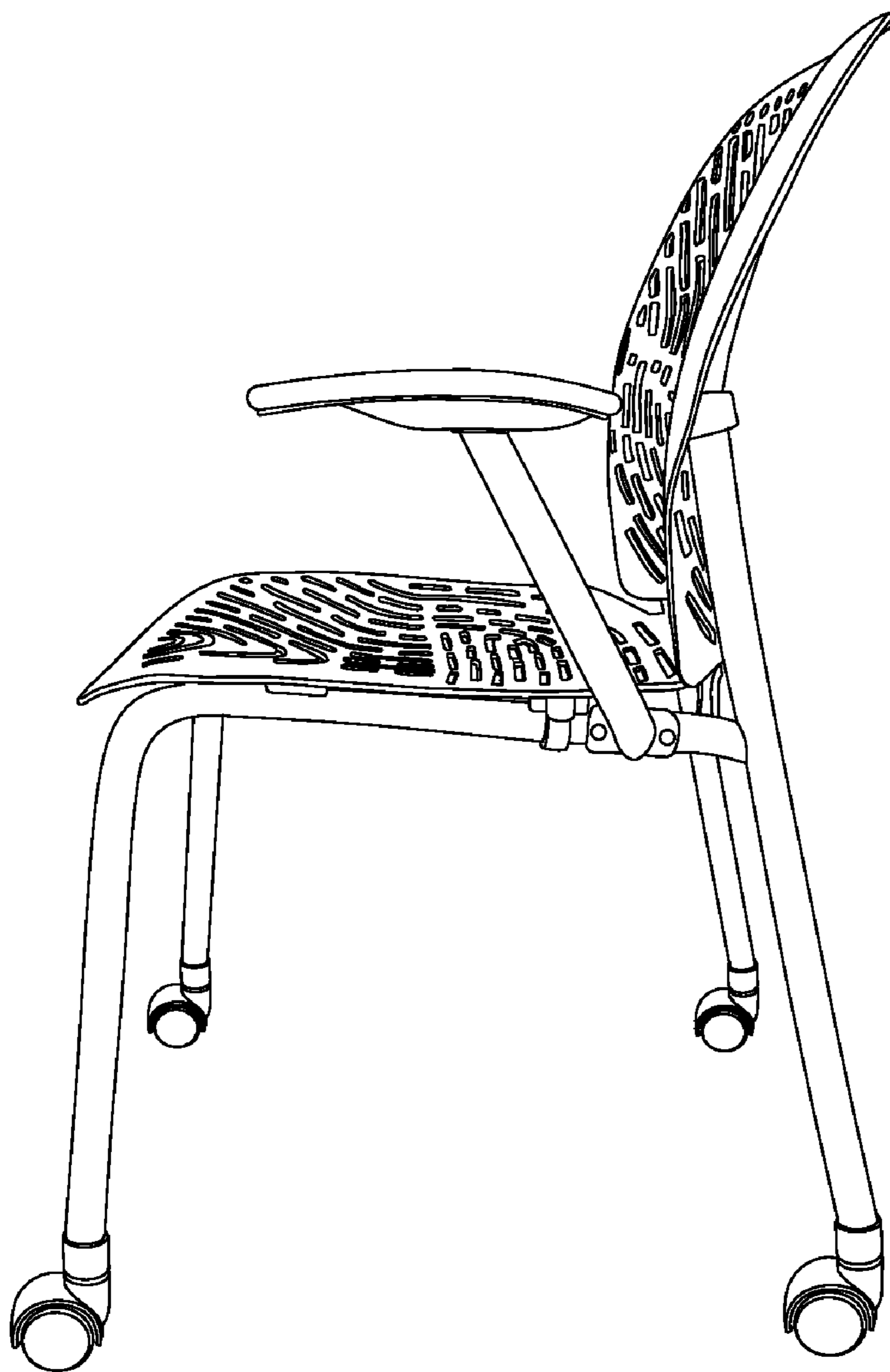


FIG. 3



F I G . 4



F I G . 5

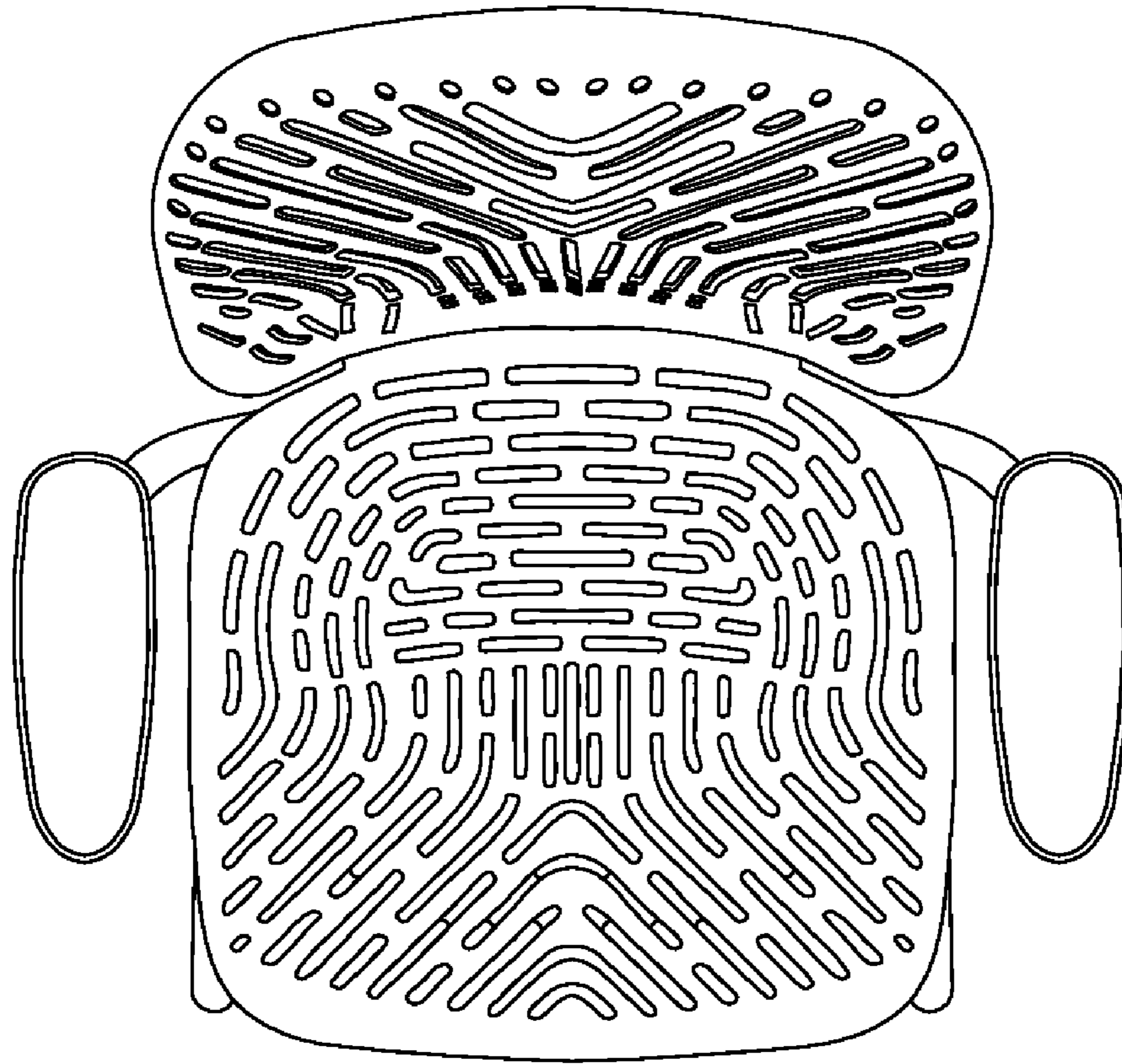
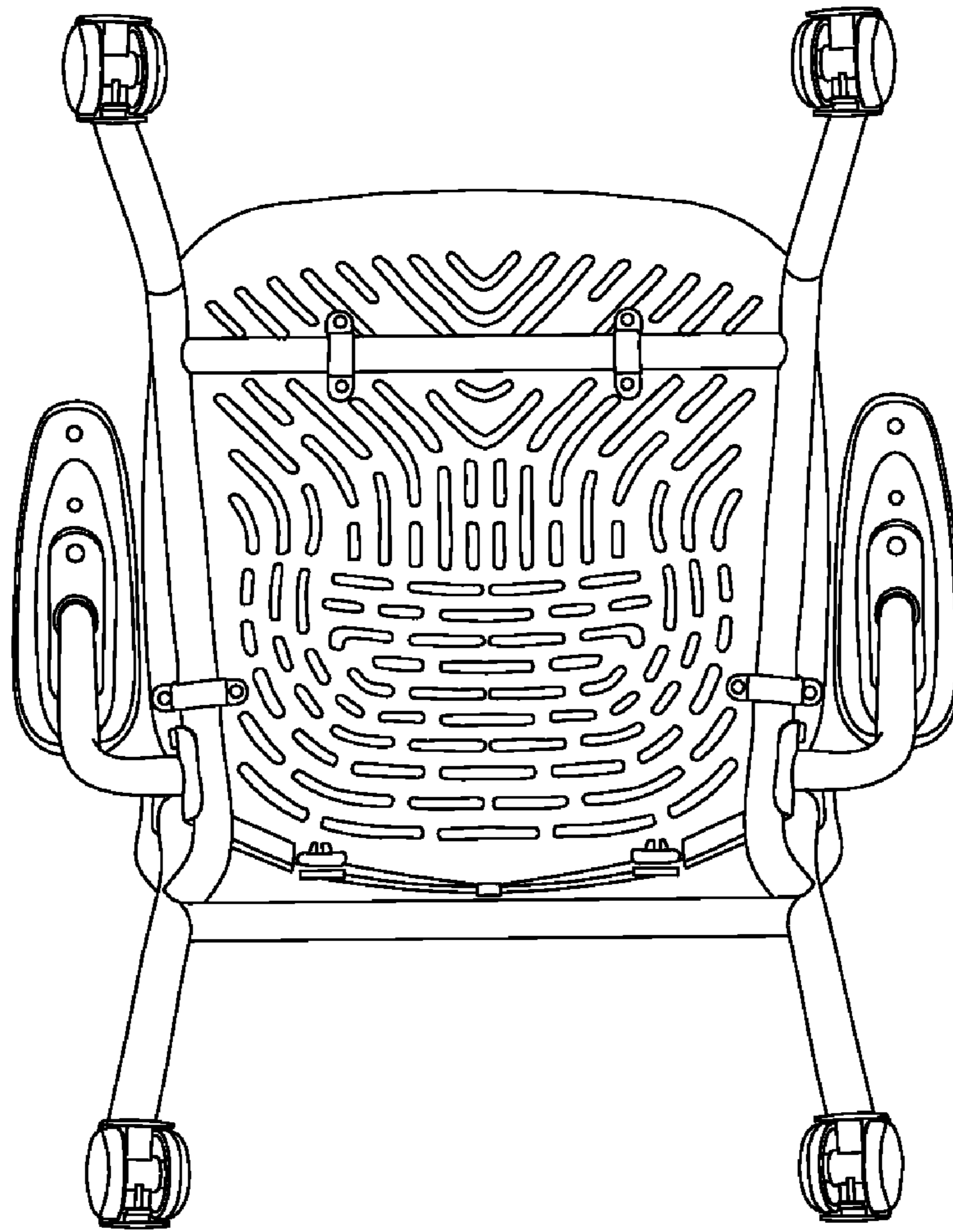


FIG. 6



F I G . 7