



US00D593324S

(12) **United States Design Patent**
Simas

(10) **Patent No.:** **US D593,324 S**
(45) **Date of Patent:** **** Jun. 2, 2009**

(54) **CLIP BOX**

D572,903 S * 7/2008 McNamara et al. D3/302

(75) Inventor: **Michelle M. Simas**, Fitchburg, MA (US)

(73) Assignee: **Sterilite Corporation**, Townsend, MA (US)

(**) Term: **14 Years**

(21) Appl. No.: **29/292,623**

(22) Filed: **Oct. 19, 2007**

(51) **LOC (9) Cl.** **03-01**

(52) **U.S. Cl.** **D3/302**

(58) **Field of Classification Search** D3/201,
D3/272-273, 294-296, 302, 905; D7/629;
D22/136; 206/503, 505, 508, 511
See application file for complete search history.

(56) **References Cited**

U.S. PATENT DOCUMENTS

D218,658 S *	9/1970	Perkins et al.	D3/302
D221,914 S *	9/1971	Perkins et al.	D3/302
D382,112 S *	8/1997	Egan	D3/273
D427,769 S *	7/2000	Zimmerman	D3/302
D439,406 S *	3/2001	Zimmerman	D3/273
D448,166 S *	9/2001	Zimmerman	D3/273
D452,374 S *	12/2001	Kim	D3/302
D466,299 S *	12/2002	Zimmerman	D3/302
D483,945 S *	12/2003	Tanji	D3/302
D511,247 S *	11/2005	Tsuchiya	D3/273
D511,624 S *	11/2005	Rosine et al.	D3/273
D513,121 S *	12/2005	Rosine et al.	D3/273
D513,870 S *	1/2006	Rosine et al.	D3/273
D513,871 S *	1/2006	Rosine et al.	D3/273
D567,507 S *	4/2008	Zimmerman	D3/302

OTHER PUBLICATIONS

- "Latch Totes," Sterilite Corp., 2002.
- "Latch Totes," Sterilite Corp., 2004.
- "Latch Totes," Sterilite Corp., 2005.
- "Latch Boxes," Sterilite Corp., 2006.
- "Buckle Up Box," Iris Ohyama Europe, 2007.
- "System Box 4," A.B.M. Italia SpA, 2006.
- "Latch Box," The Container Store, 2004-2005.
- "Clip Box," Heidrun UK, 2006-2007.
- "Storage Box with Lid," Hammarplast AB.
- "Media Box," Curver Ltd., 2006.
- "Box," Bora Plastik San, 2004.

* cited by examiner

Primary Examiner—Philip S Hyder
Assistant Examiner—RoseLynne Cody

(74) *Attorney, Agent, or Firm*—Wilmer Cutler Pickering Hale and Dorr LLP

(57) **CLAIM**

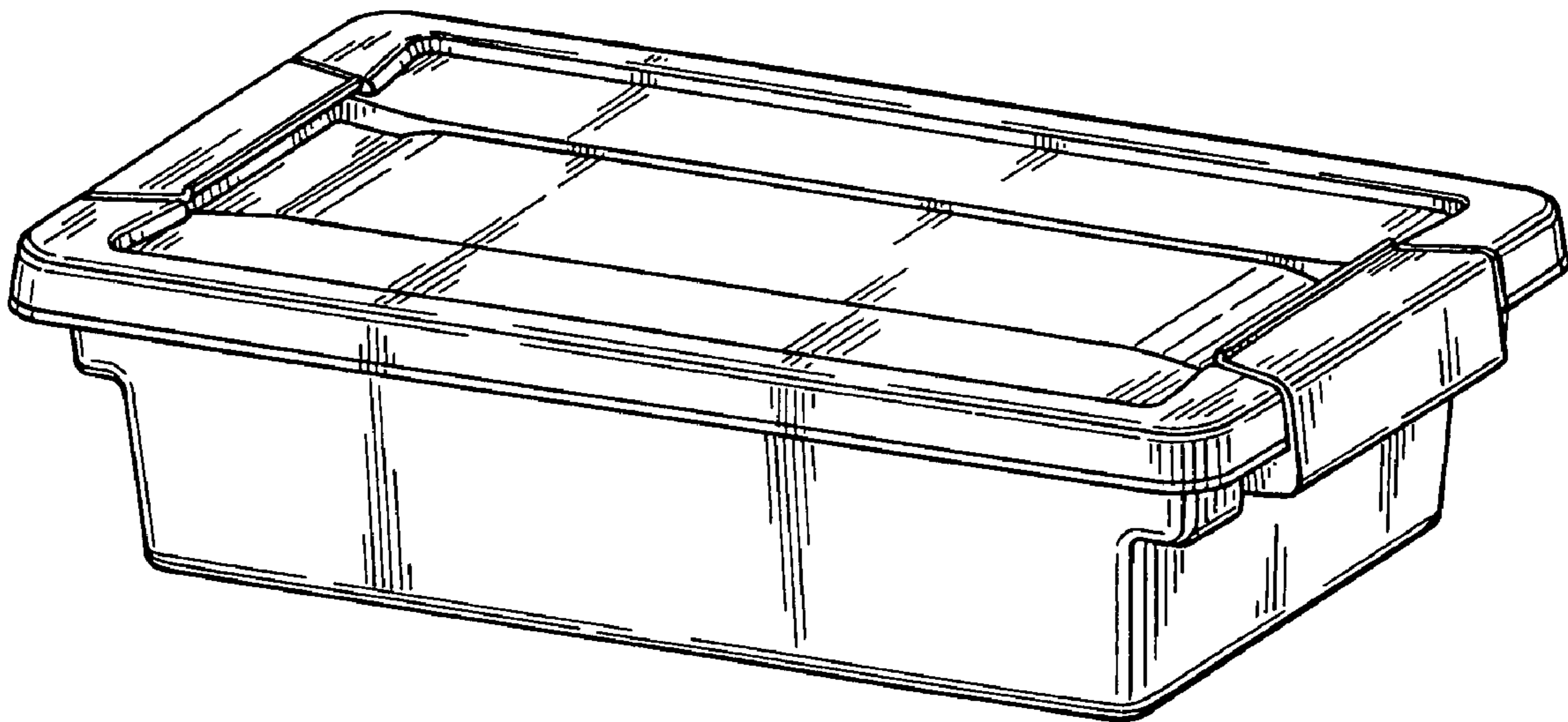
The ornamental design for a clip box, as shown.

DESCRIPTION

FIG. 1 is a perspective view of a clip box showing my new design;
 FIG. 2 is a front view thereof;
 FIG. 3 is a side view thereof;
 FIG. 4 is a top view thereof; and,
 FIG. 5 is a bottom view thereof.

The broken lines in FIG. 5 indicate a boundary of the claimed design, within which no subject matter is claimed.

1 Claim, 2 Drawing Sheets



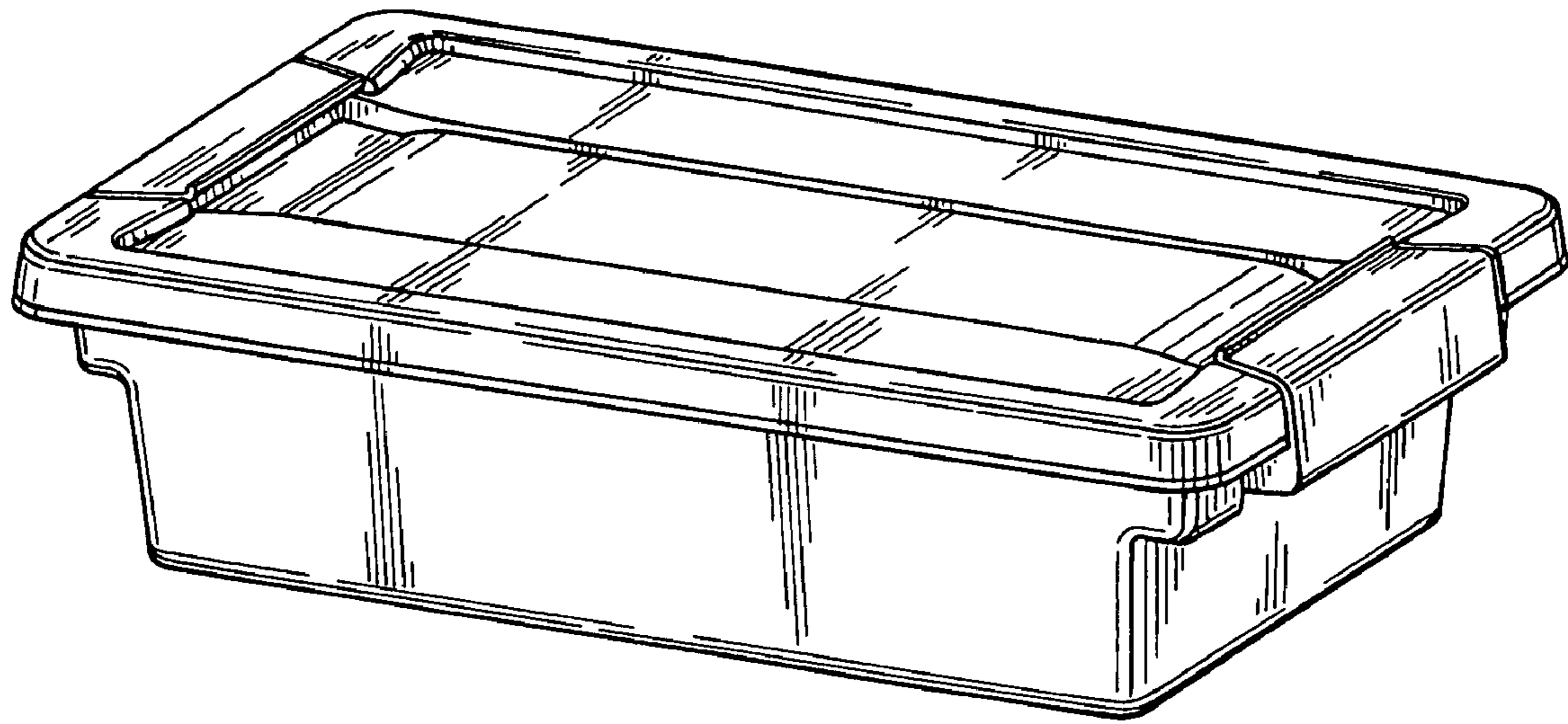


Fig. 1

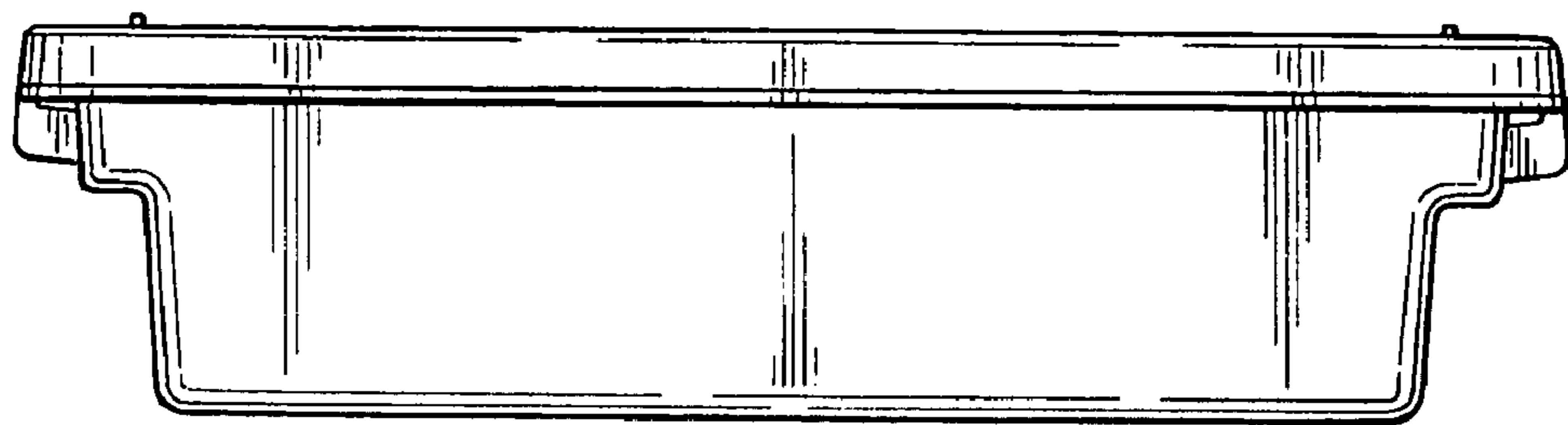


Fig. 2

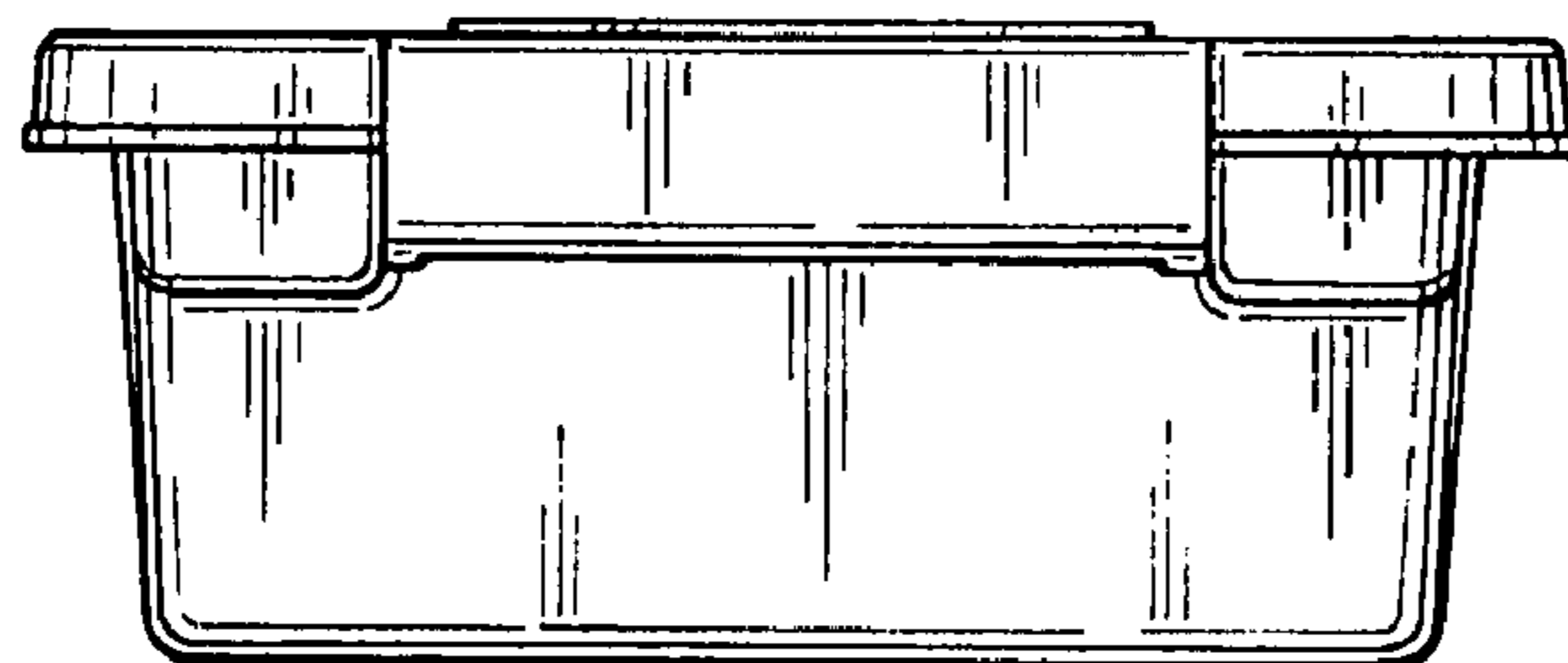


Fig. 3

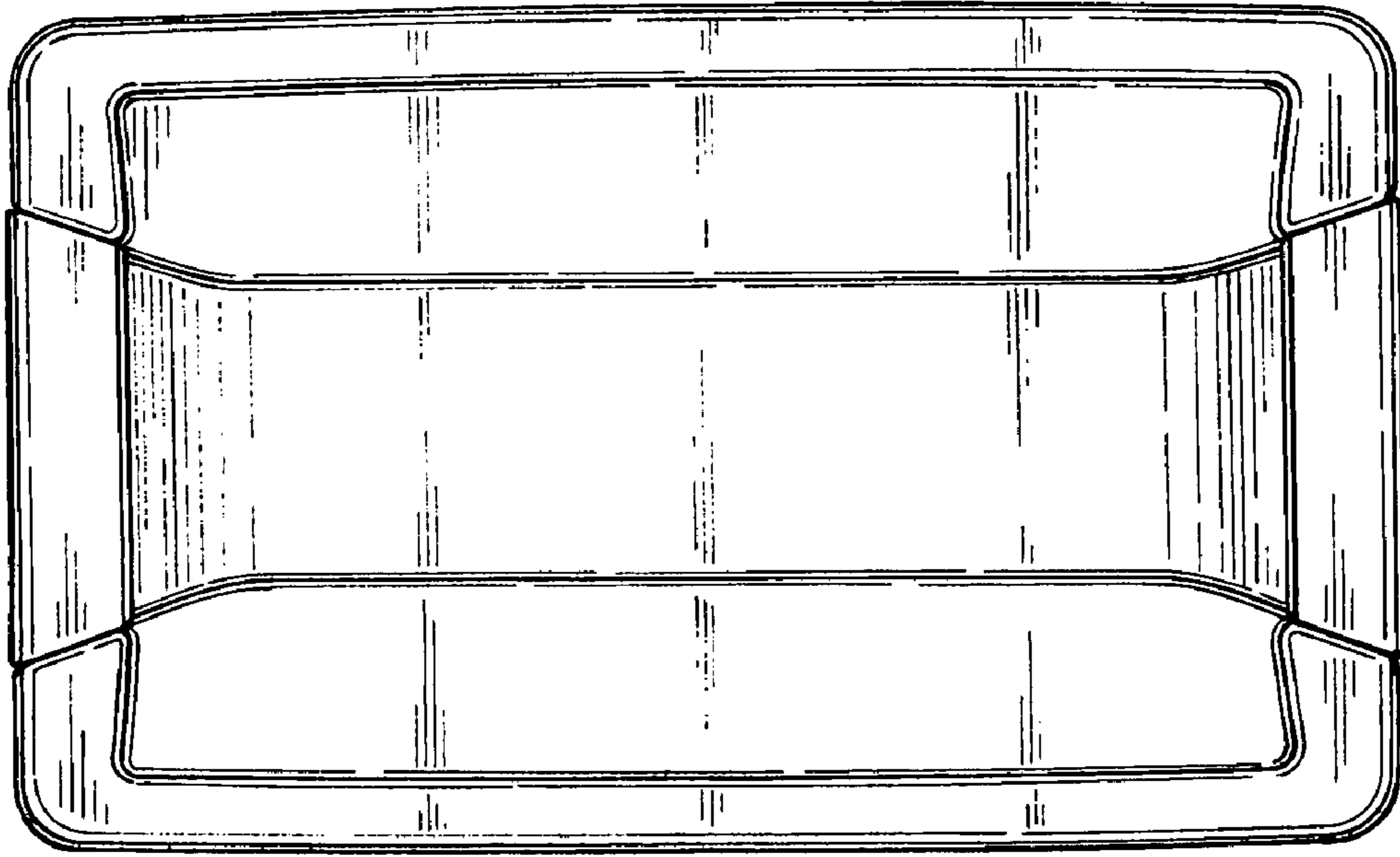


Fig. 4

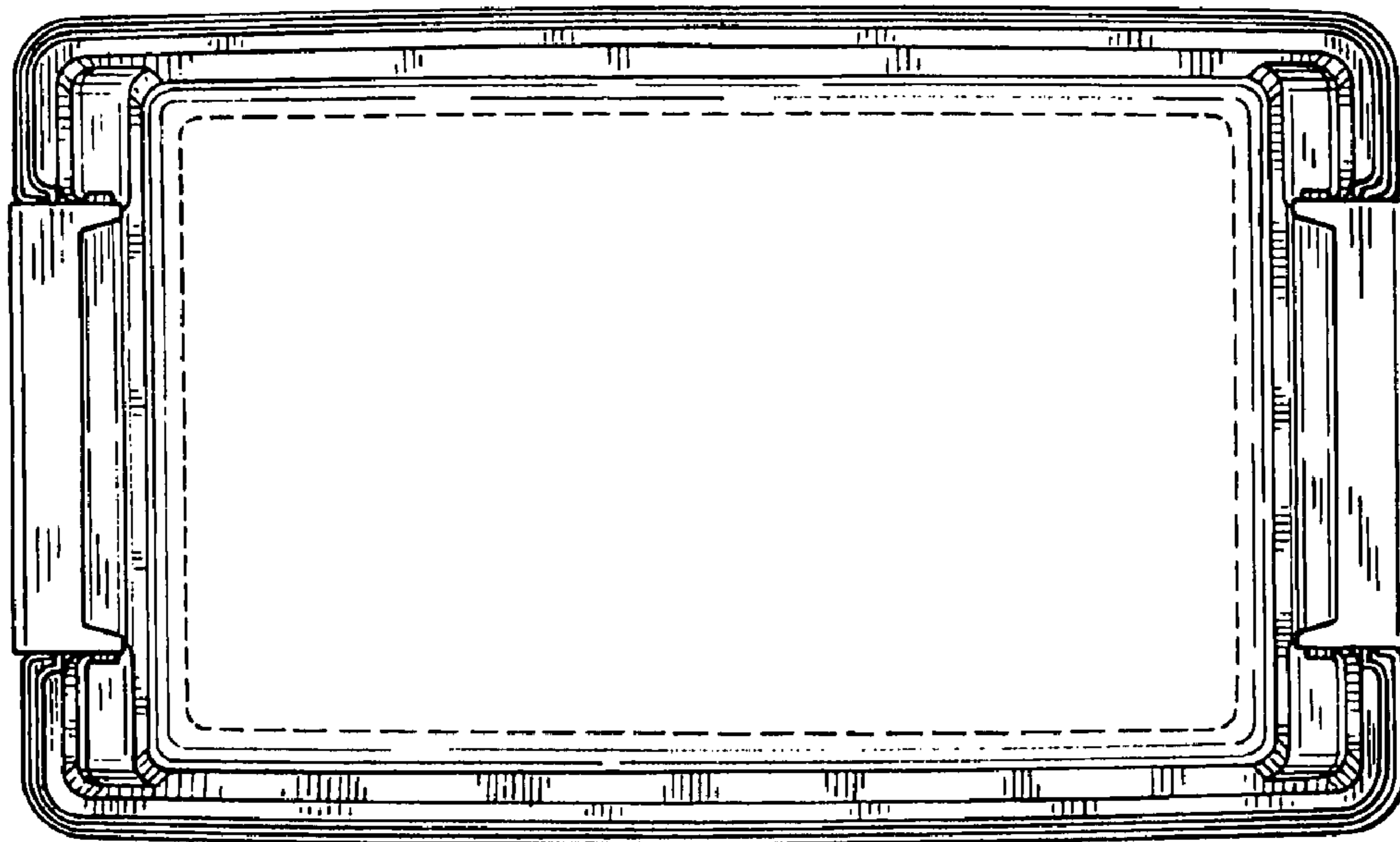


Fig. 5