

US00D593322S

(12) **United States Design Patent**
Blyth

(10) **Patent No.:** **US D593,322 S**
(45) **Date of Patent:** **** Jun. 2, 2009**

(54) **GOLF BAG**

(75) Inventor: **James Blyth**, Farnham (GB)

(73) Assignee: **Tony Read**, West Sussex (GB)

(**) Term: **14 Years**

(21) Appl. No.: **29/295,133**

(22) Filed: **Sep. 21, 2007**

(30) **Foreign Application Priority Data**

Jul. 12, 2007 (EM) 758685-001-002

(51) **LOC (9) Cl.** **03-01**

(52) **U.S. Cl.** **D3/255**

(58) **Field of Classification Search** D3/254-255,
D3/259, 276, 279, 283, 288-289, 328.1, 904;
D21/789, 796; 206/315.2-315.8; 280/47.26,
280/645-646, 655

See application file for complete search history.

(56) **References Cited**

U.S. PATENT DOCUMENTS

2,256,521 A * 9/1941 Kirkpatrick et al. 206/315.3

(Continued)

Primary Examiner—Philip S Hyder

Assistant Examiner—Roselynn Cody

(74) *Attorney, Agent, or Firm*—McCormick, Paulding & Huber LLP

(57) **CLAIM**

The ornamental design for a golf bag, as shown and described.

DESCRIPTION

FIG. 1 is a front view of a golf bag comprising a new, original and ornamental design.

FIG. 2 is a right-hand side view of a golf bag comprising the new, original and ornamental design.

FIG. 3 is a rear view of a golf bag comprising the new, original and ornamental design.

FIG. 4 is a left-hand side view of a golf bag comprising the new, original and ornamental design.

FIG. 5 is a top view of a golf bag comprising the new, original and ornamental design.

FIG. 6 is a bottom view of a golf bag comprising the new, original and ornamental design.

FIG. 7 is a front, top, left-hand side perspective view of a golf bag comprising of the new, original and ornamental design.

FIG. 8 is a rear, top, right-hand side perspective view of a golf bag comprising the new, original and ornamental design.

FIG. 9 is a front view of a golf bag comprising the new, original and ornamental design, in an extended position.

FIG. 10 is a right-hand side view of a golf bag comprising the new, original and ornamental design, in an extended position.

FIG. 11 is a rear view of a golf bag comprising the new, original and ornamental design, in an extended position.

FIG. 12 is a left-hand side view of a golf bag comprising the new, original and ornamental design, in an extended position.

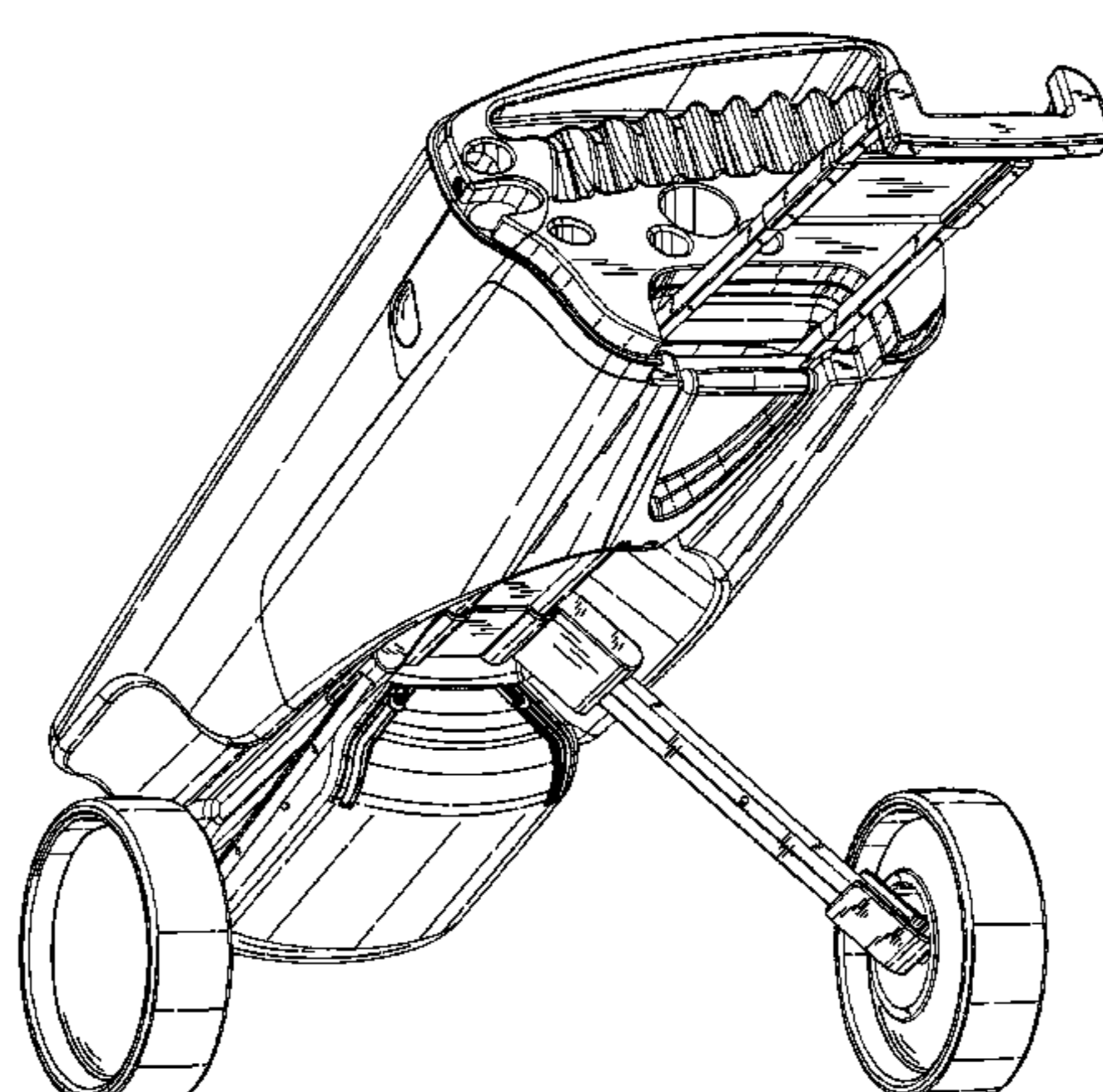
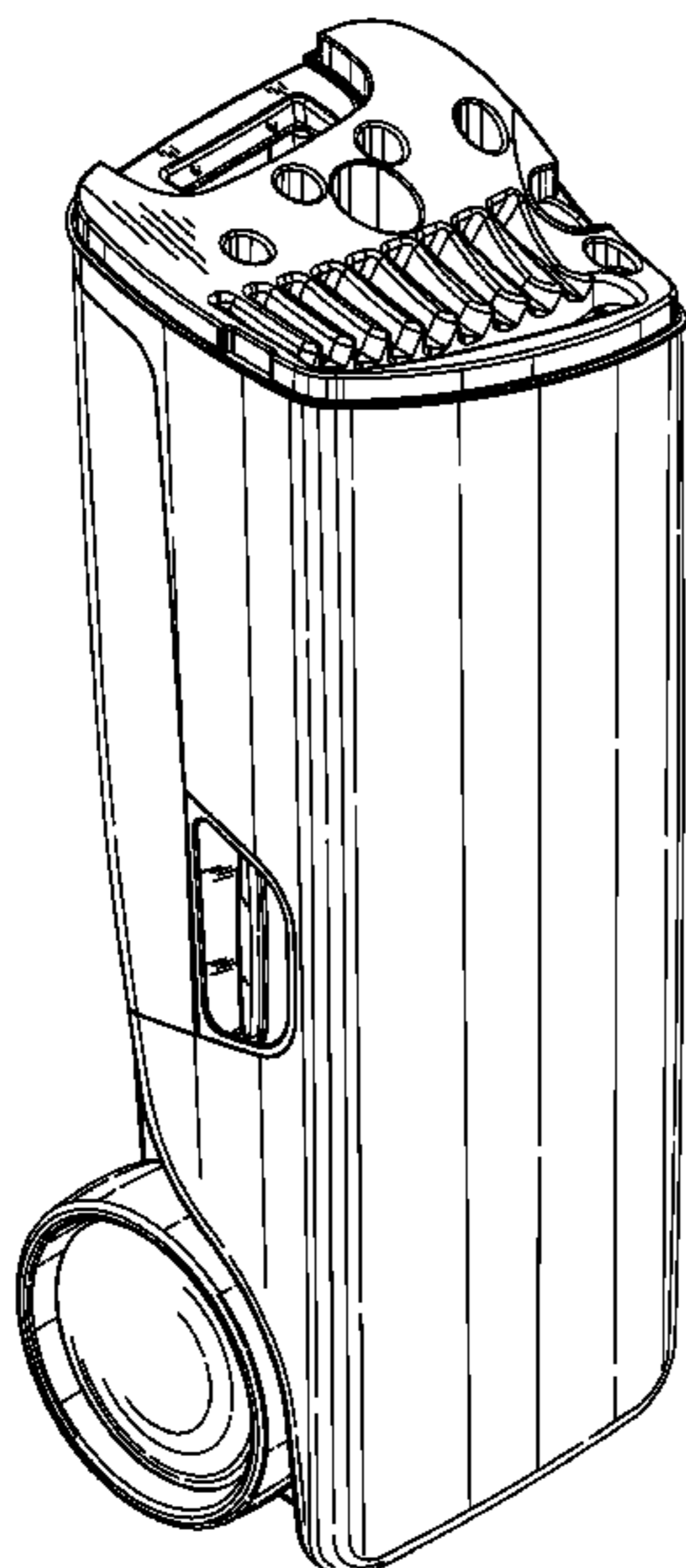
FIG. 13 is a top view of a golf bag comprising the new, original and ornamental design, in an extended position.

FIG. 14 is a bottom view of a golf bag comprising the new, original and ornamental design, in an extended position.

FIG. 15 is a front, left-hand side perspective view of a golf bag comprising the new, original and ornamental design, in an extended position; and,

FIG. 16 is a rear, top, right-hand side perspective view of a golf bag comprising the new, original and ornamental design, in an extended position.

1 Claim, 15 Drawing Sheets



US D593,322 S

Page 2

U.S. PATENT DOCUMENTS

3,139,132	A *	6/1964	Shiller	206/315.6	D474,337	S *	5/2003	Boardman et al.	D3/255
D301,789	S *	6/1989	Tomoda	D34/15	6,595,356	B1 *	7/2003	Homoly	206/315.3
5,125,507	A *	6/1992	Graziano, Jr.	206/315.6	6,634,496	B2 *	10/2003	Scoglio	206/315.3
D411,662	S *	6/1999	Carter	D3/279	D488,606	S *	4/2004	Scholz	D34/15
D414,035	S *	9/1999	Stokes	D3/255	D491,724	S *	6/2004	Sanderson	D3/255
5,967,543	A *	10/1999	Taylor	280/645	6,763,941	B2 *	7/2004	Laffy	206/315.4
D436,440	S *	1/2001	Stokes	D3/255	6,988,738	B2 *	1/2006	Lu	280/47.26
6,367,625	B1 *	4/2002	Zobel	206/315.4	7,080,732	B2 *	7/2006	Bonfanti	206/315.3
6,371,291	B1 *	4/2002	Laffy	206/315.4	7,222,733	B2 *	5/2007	Kim	206/315.3
D468,098	S *	1/2003	Lu	D3/255	7,303,197	B1 *	12/2007	Searle	280/47.26
6,508,359	B1 *	1/2003	He et al.	206/315.3	2002/0053527	A1 *	5/2002	Lizarraga	206/315.4
6,513,653	B1 *	2/2003	Chen	206/315.7	2006/0011499	A1 *	1/2006	Yen	206/315.3
D471,355	S *	3/2003	Sanderson et al.	D3/255	2006/0163094	A1 *	7/2006	Chiang	206/315.7
D472,375	S *	4/2003	Stokes	D3/255	2007/0252353	A1 *	11/2007	Sokol et al.	280/47.26

* cited by examiner

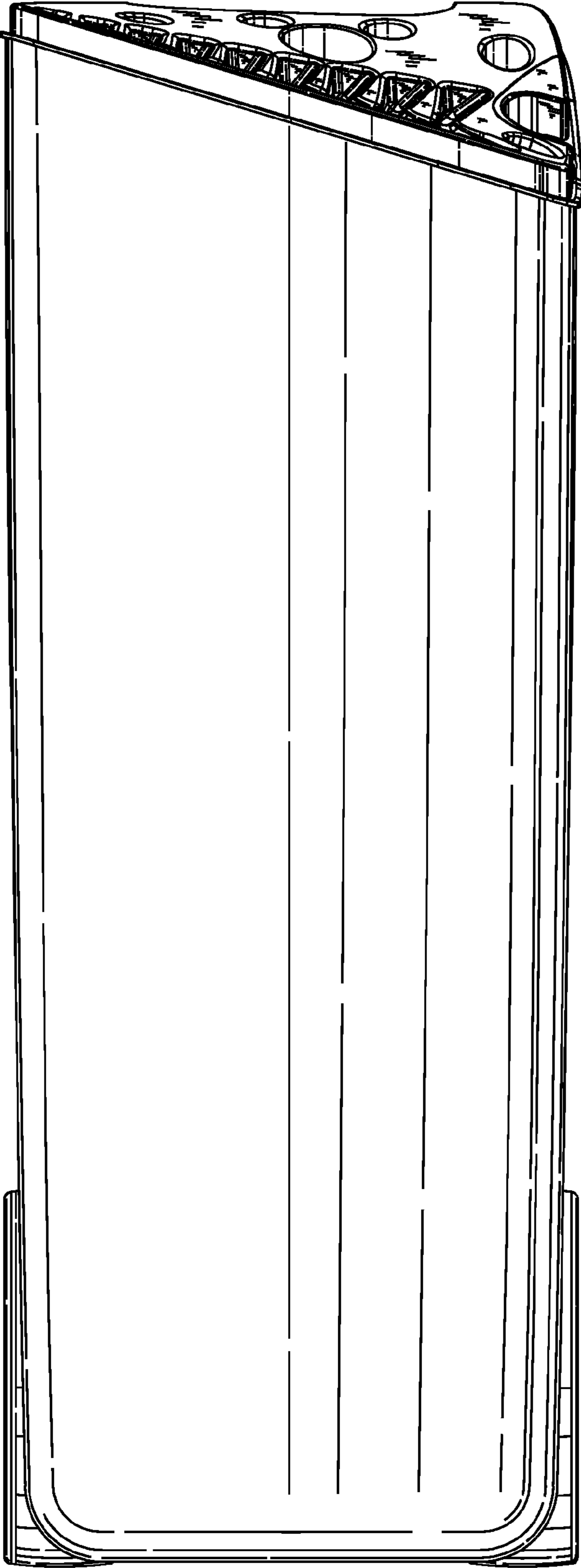


FIG. 1

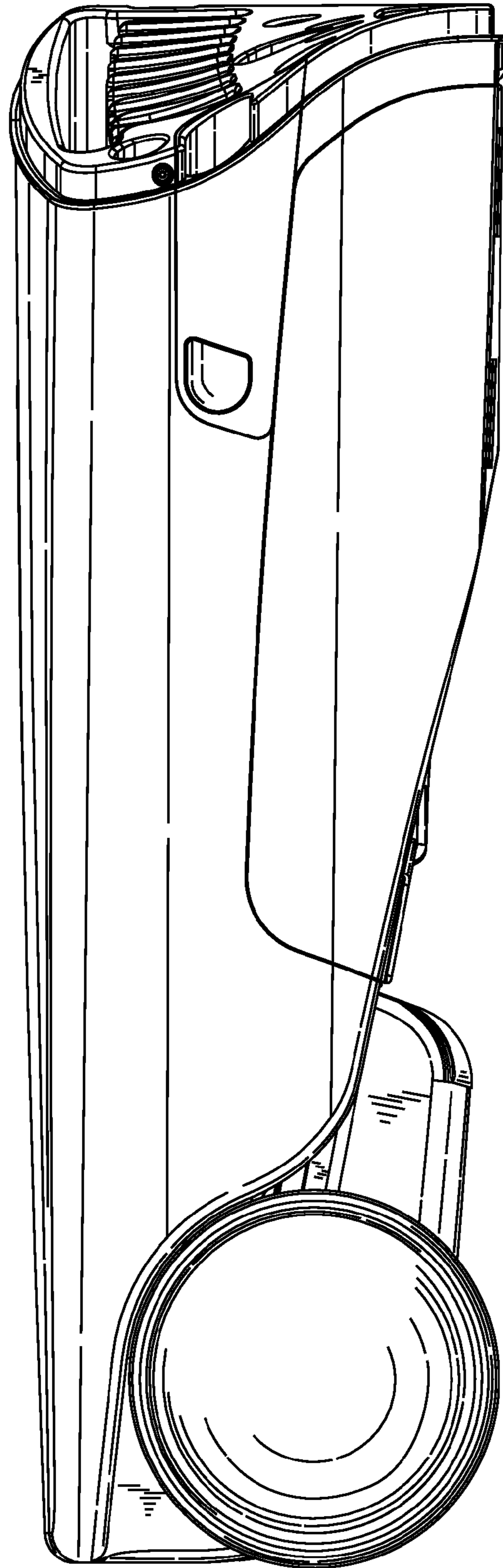


FIG. 2

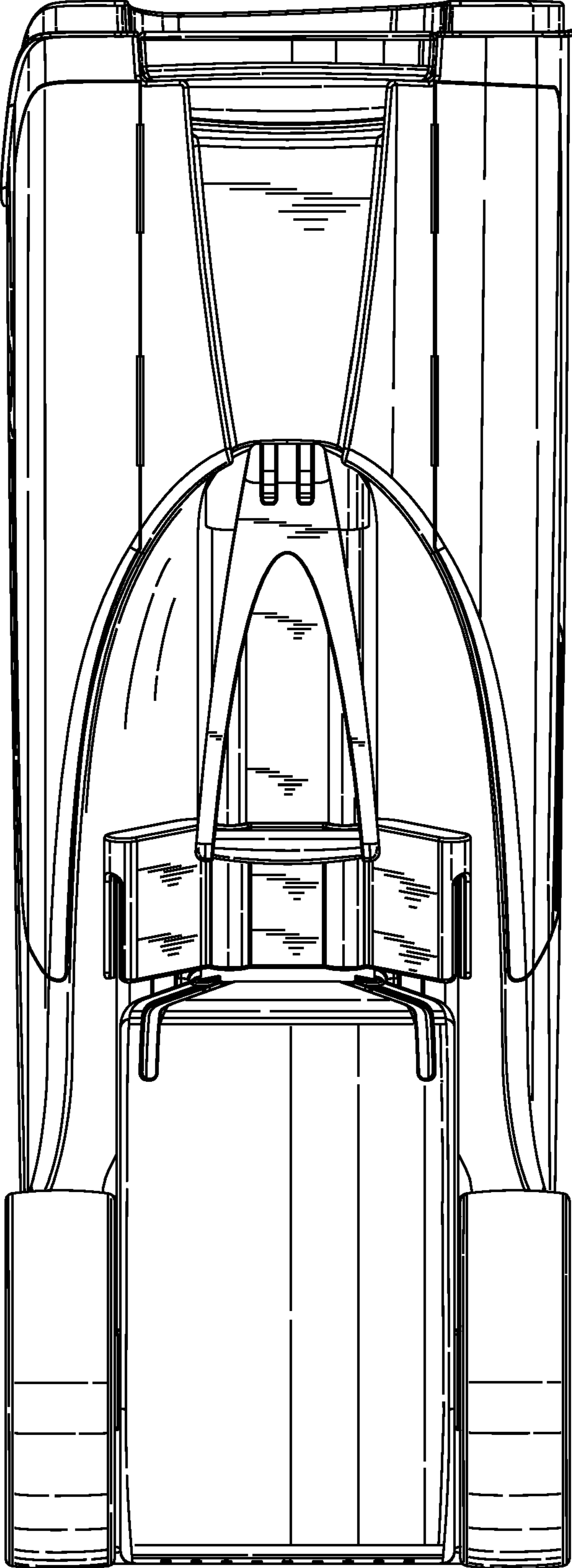


FIG. 3

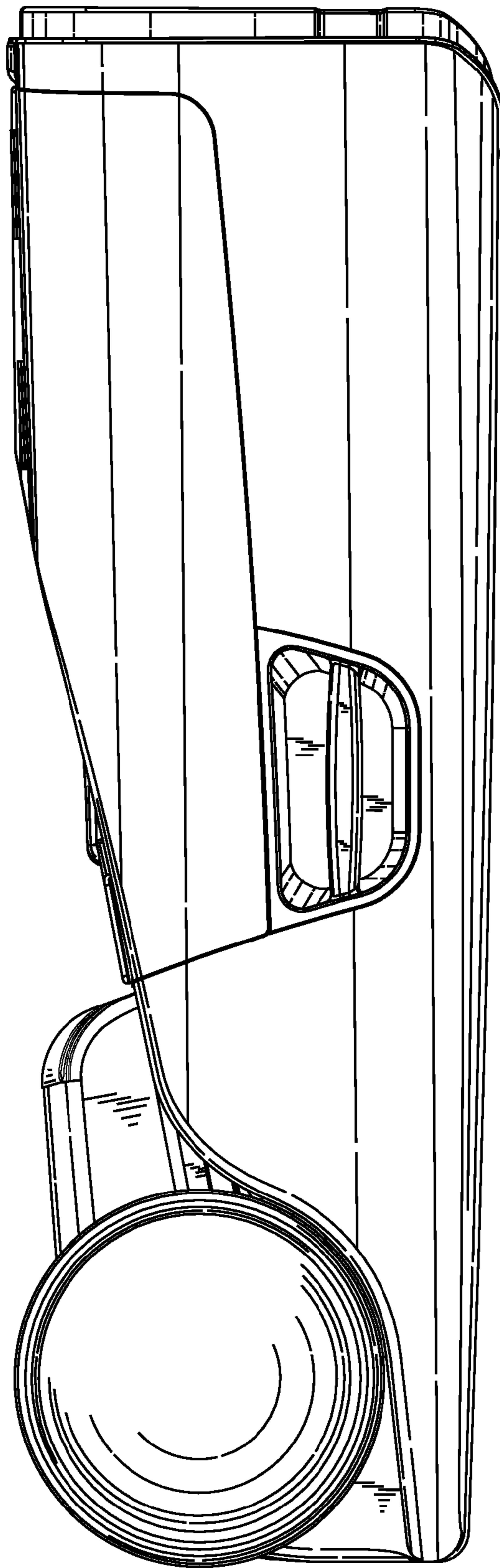


FIG. 4

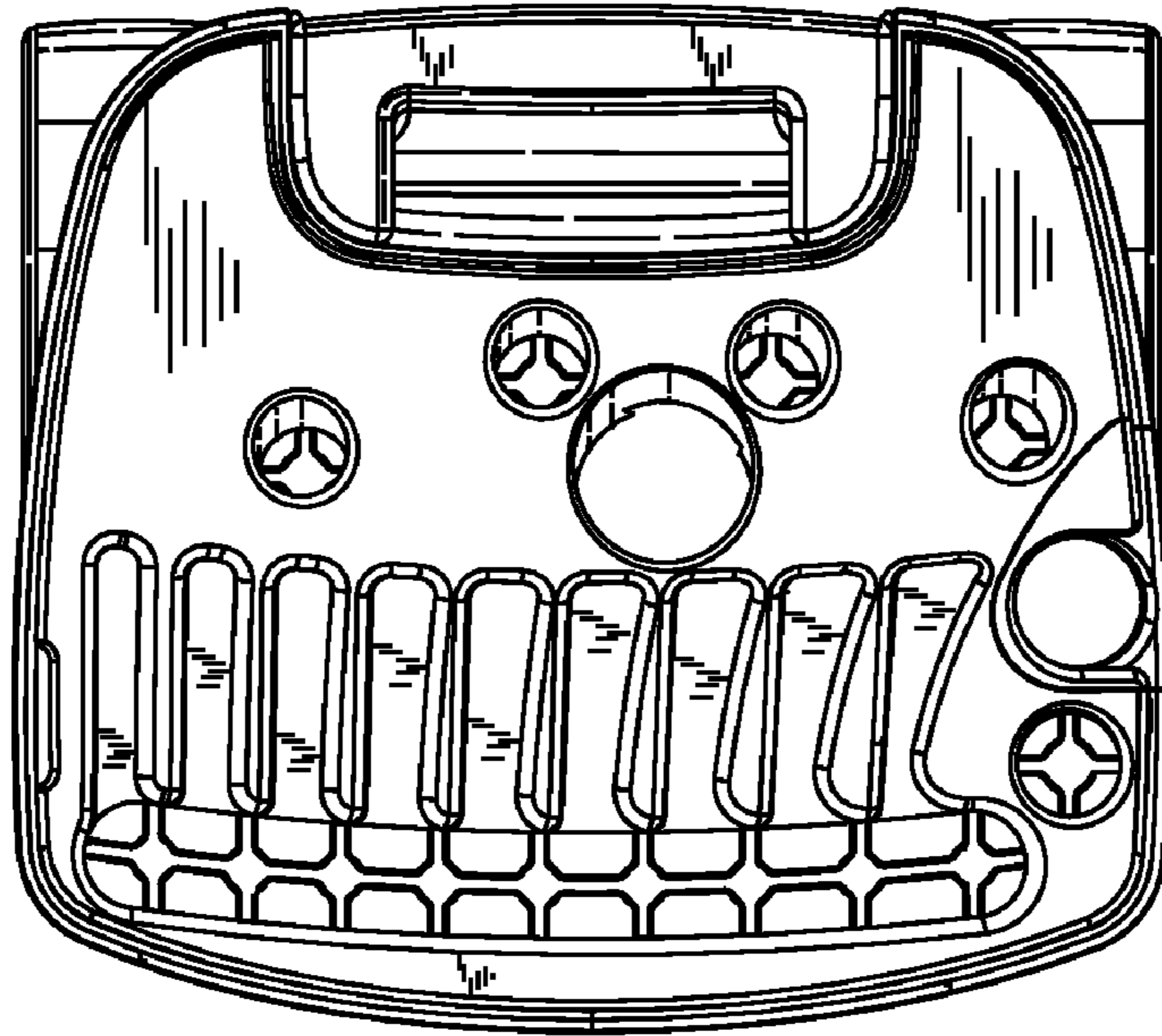


FIG. 5

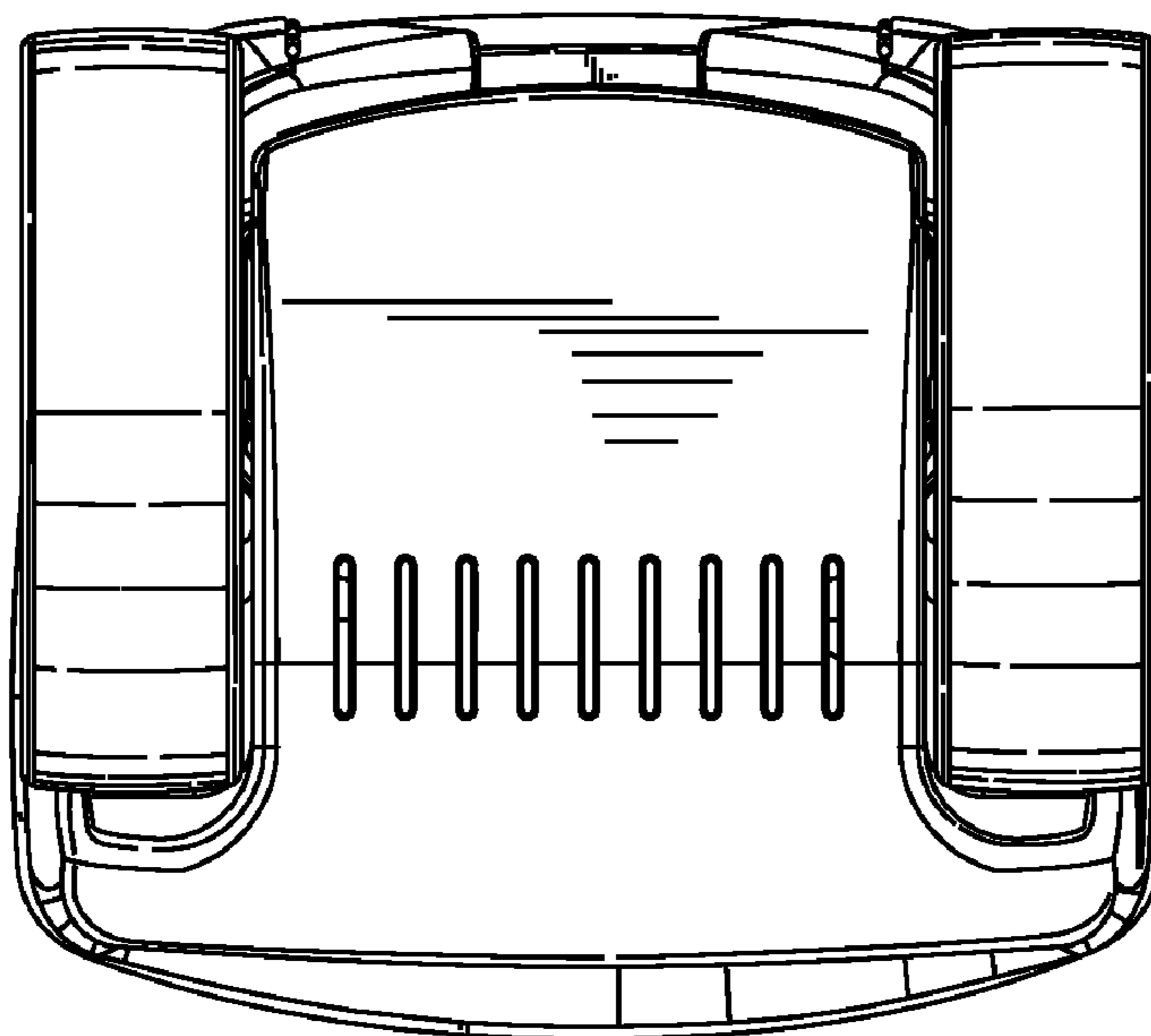


FIG. 6

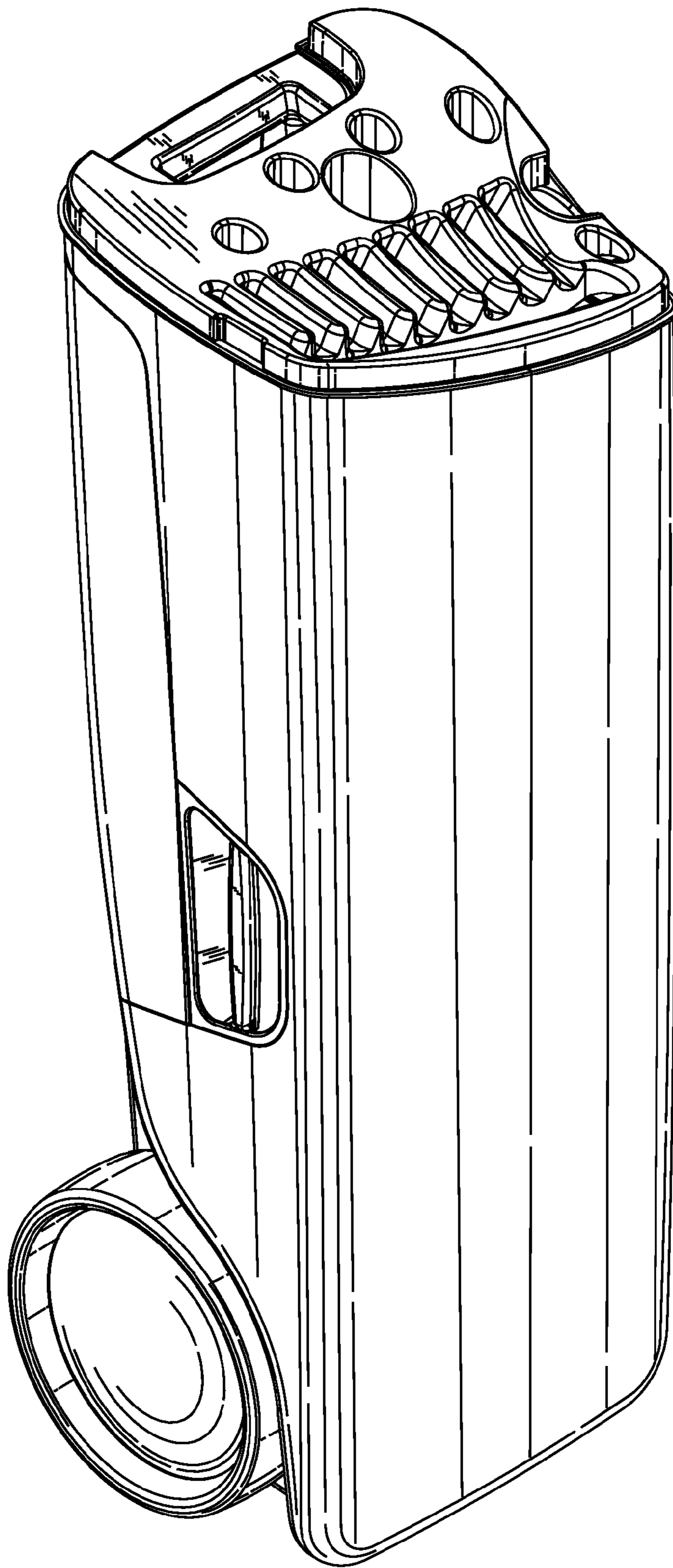


FIG. 7

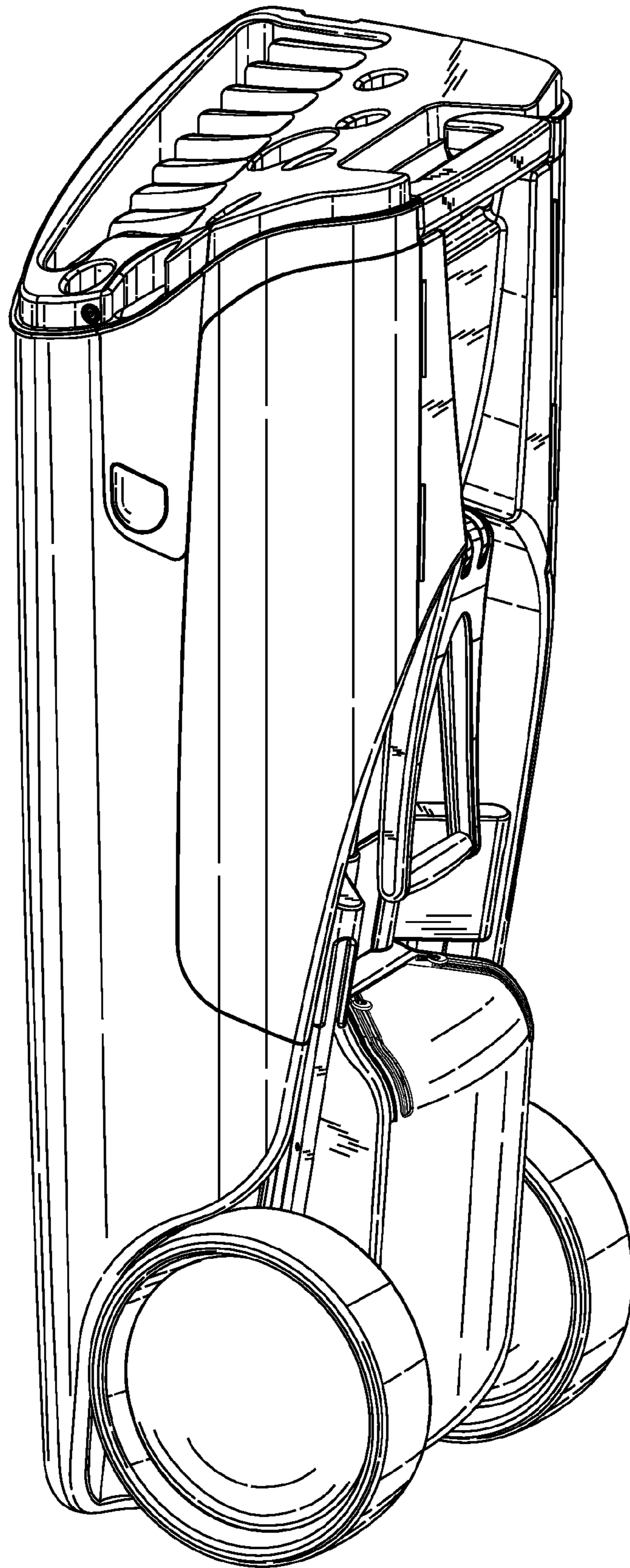


FIG. 8

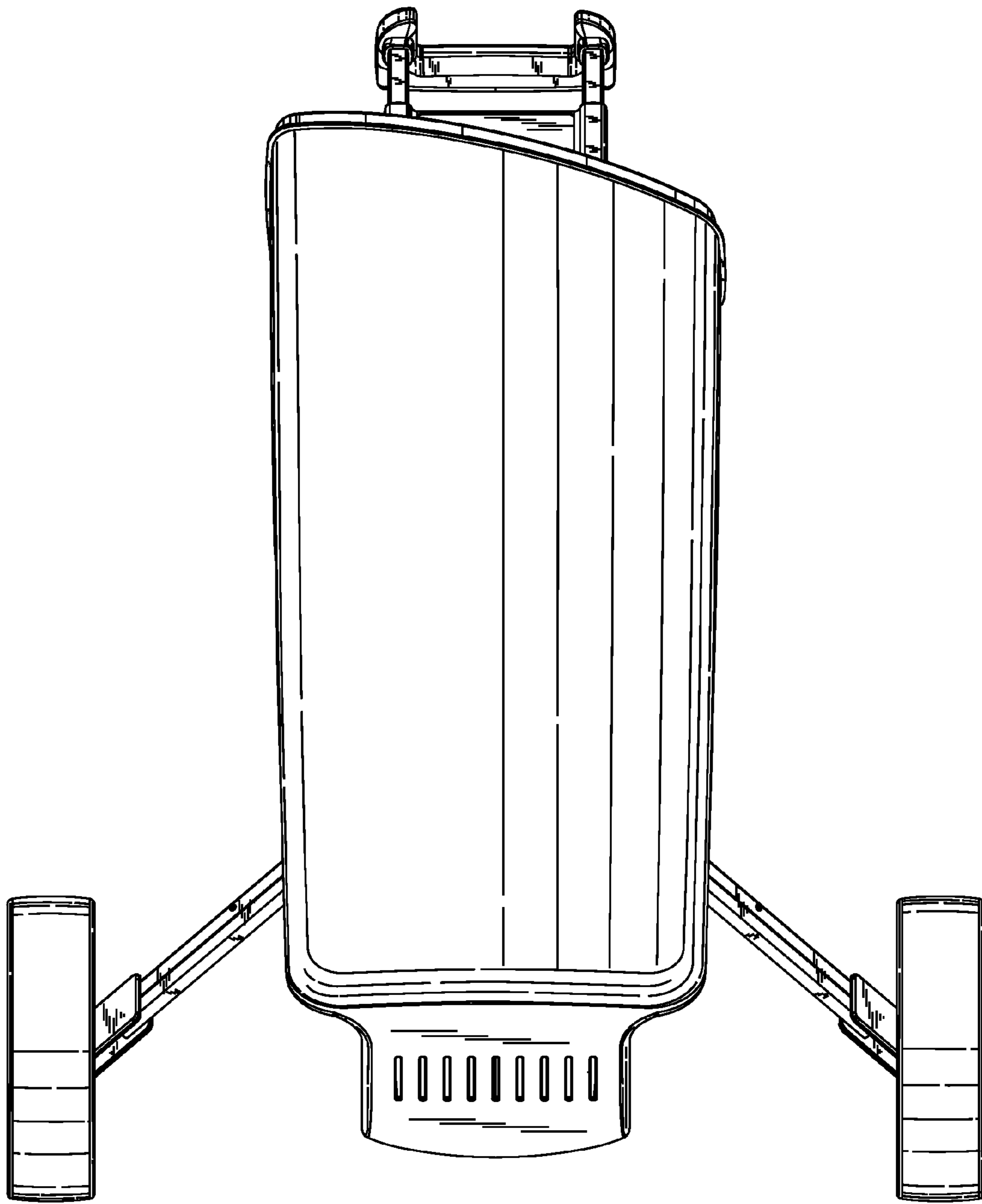


FIG. 9

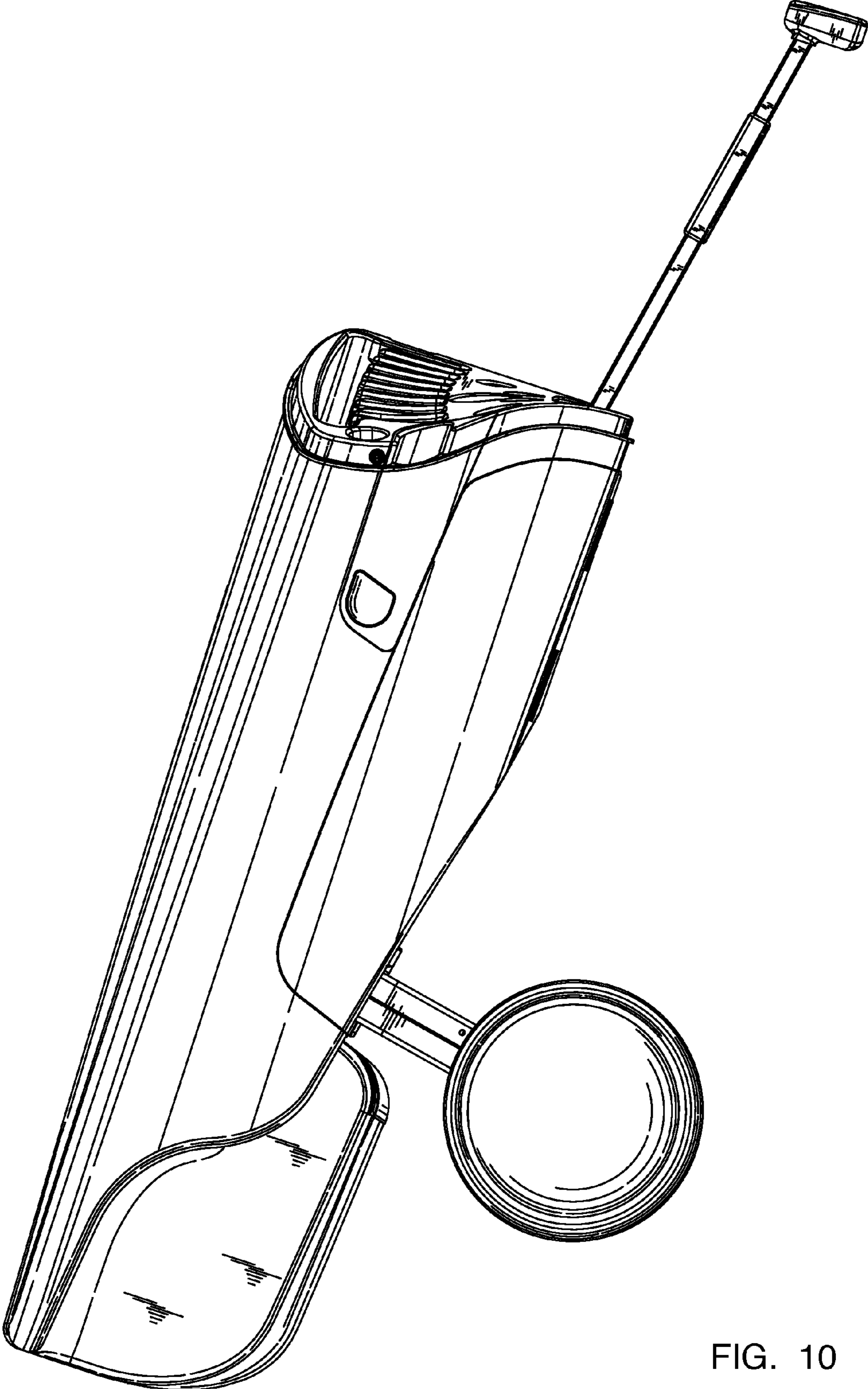


FIG. 10

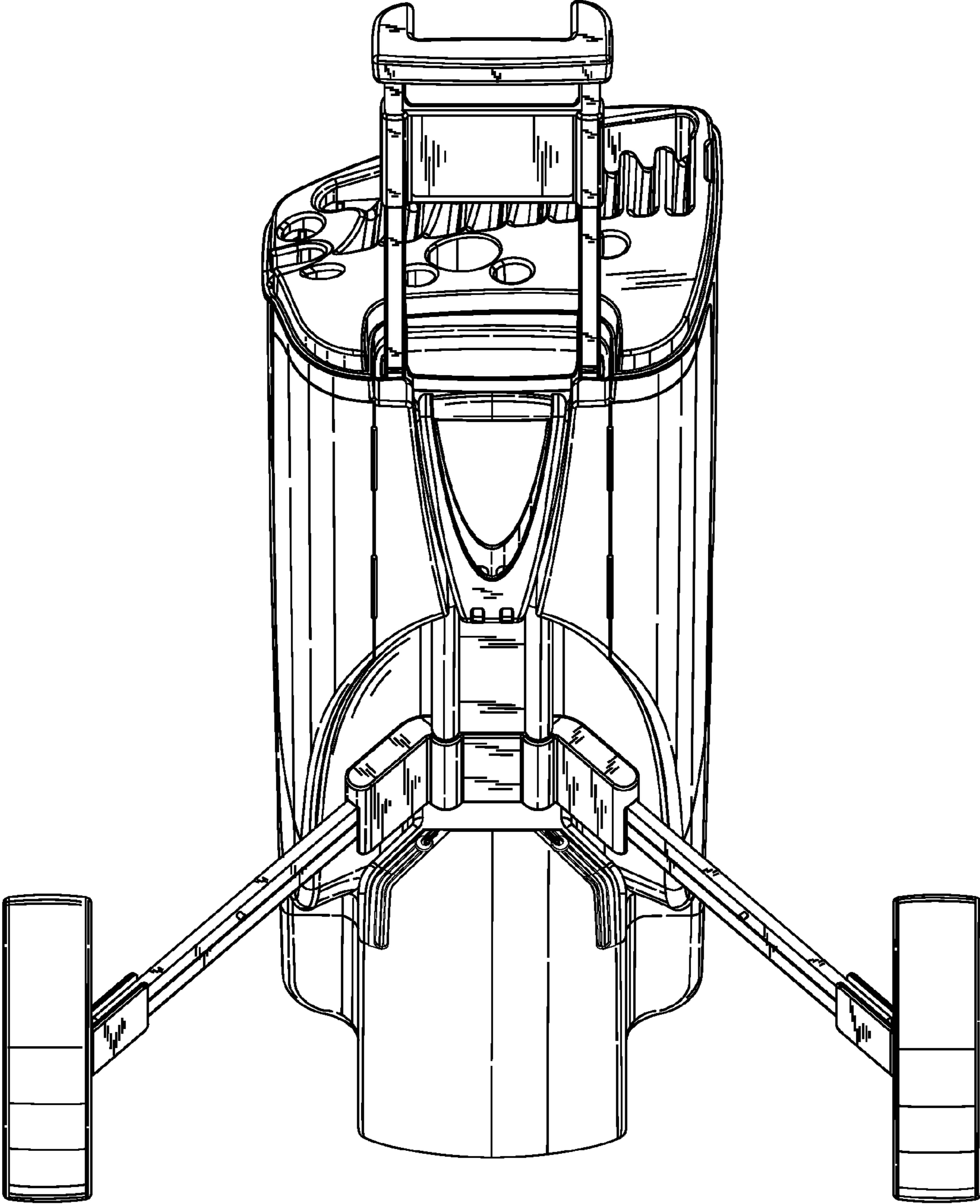


FIG. 11

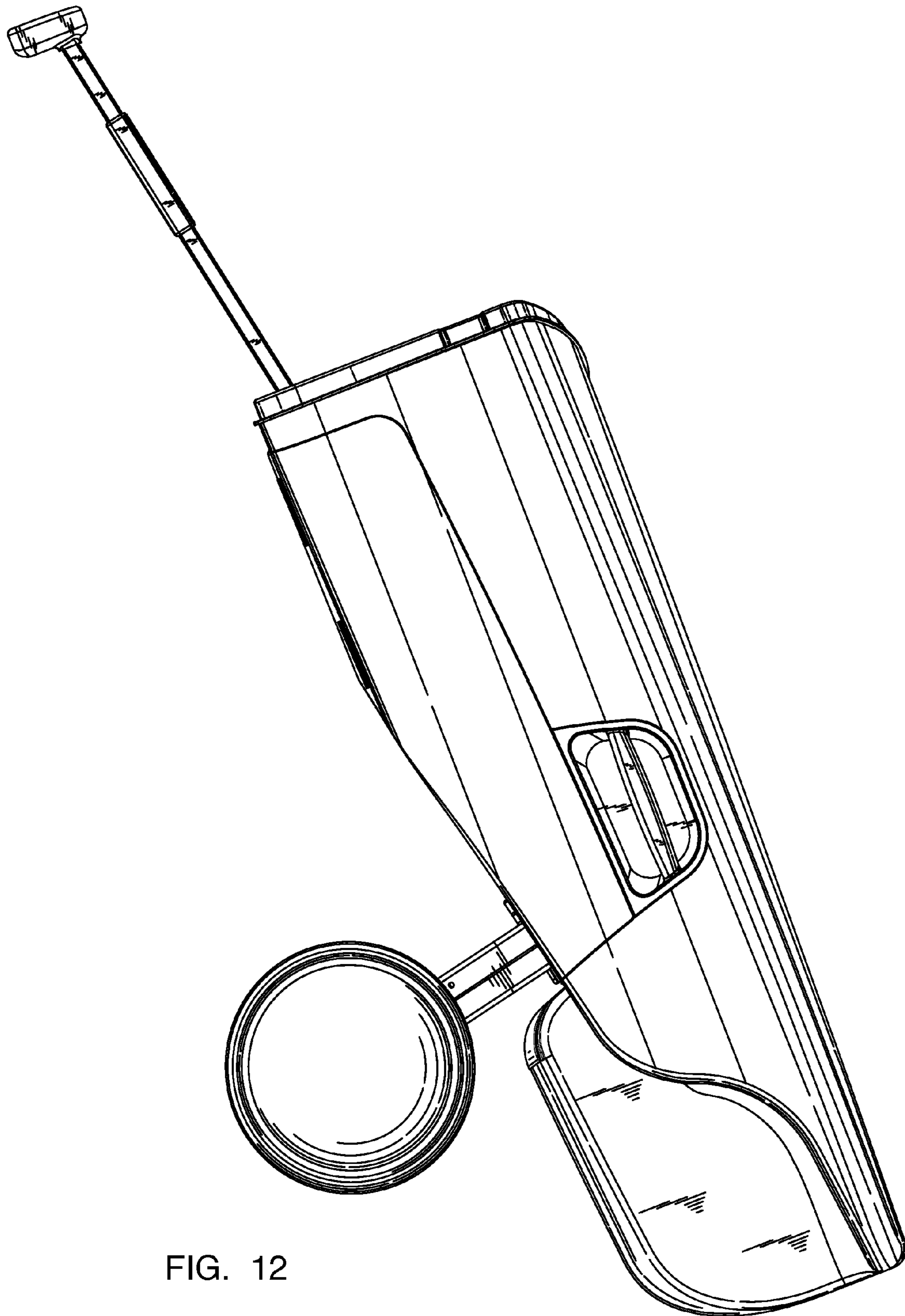


FIG. 12

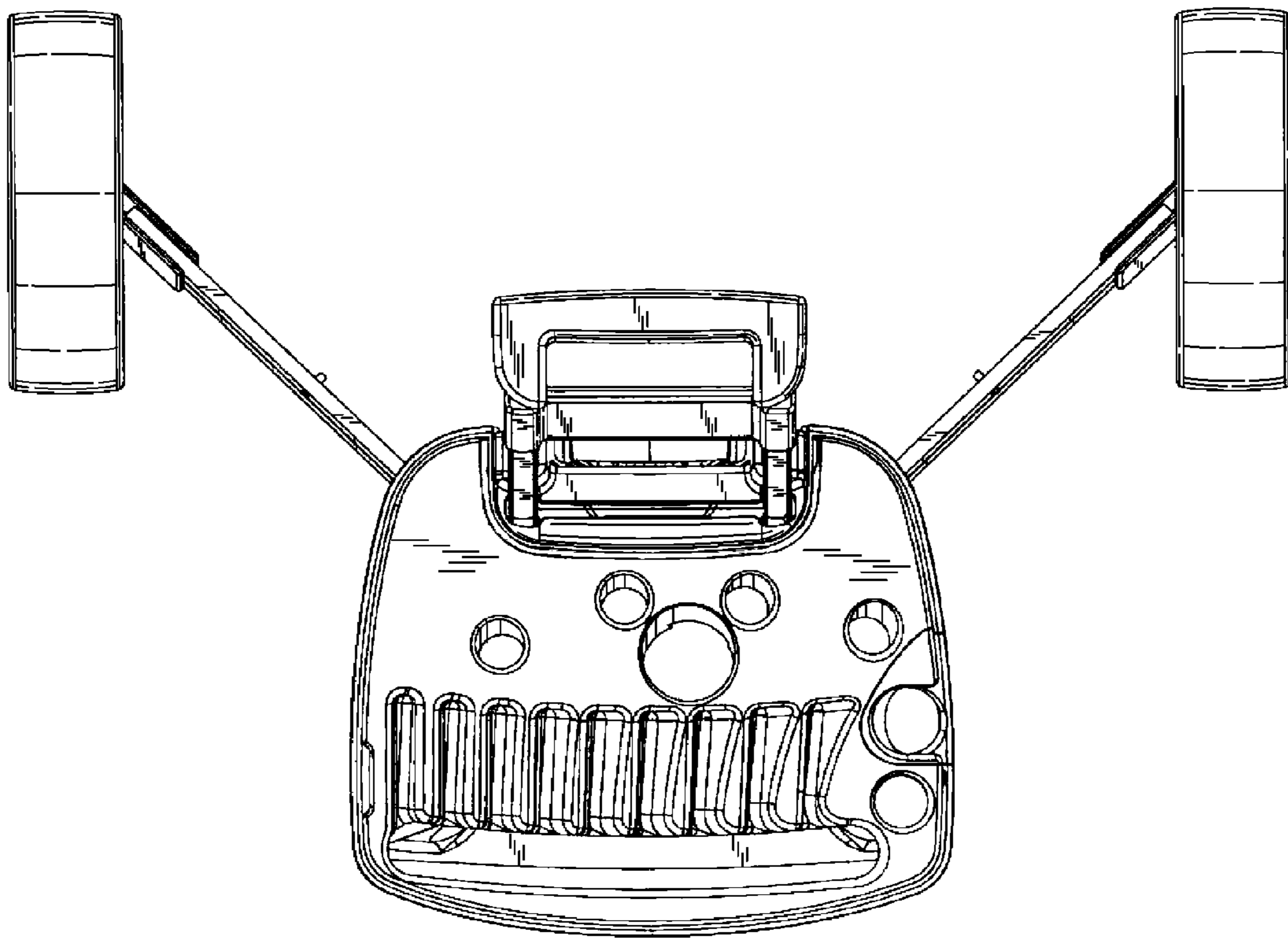


FIG. 13

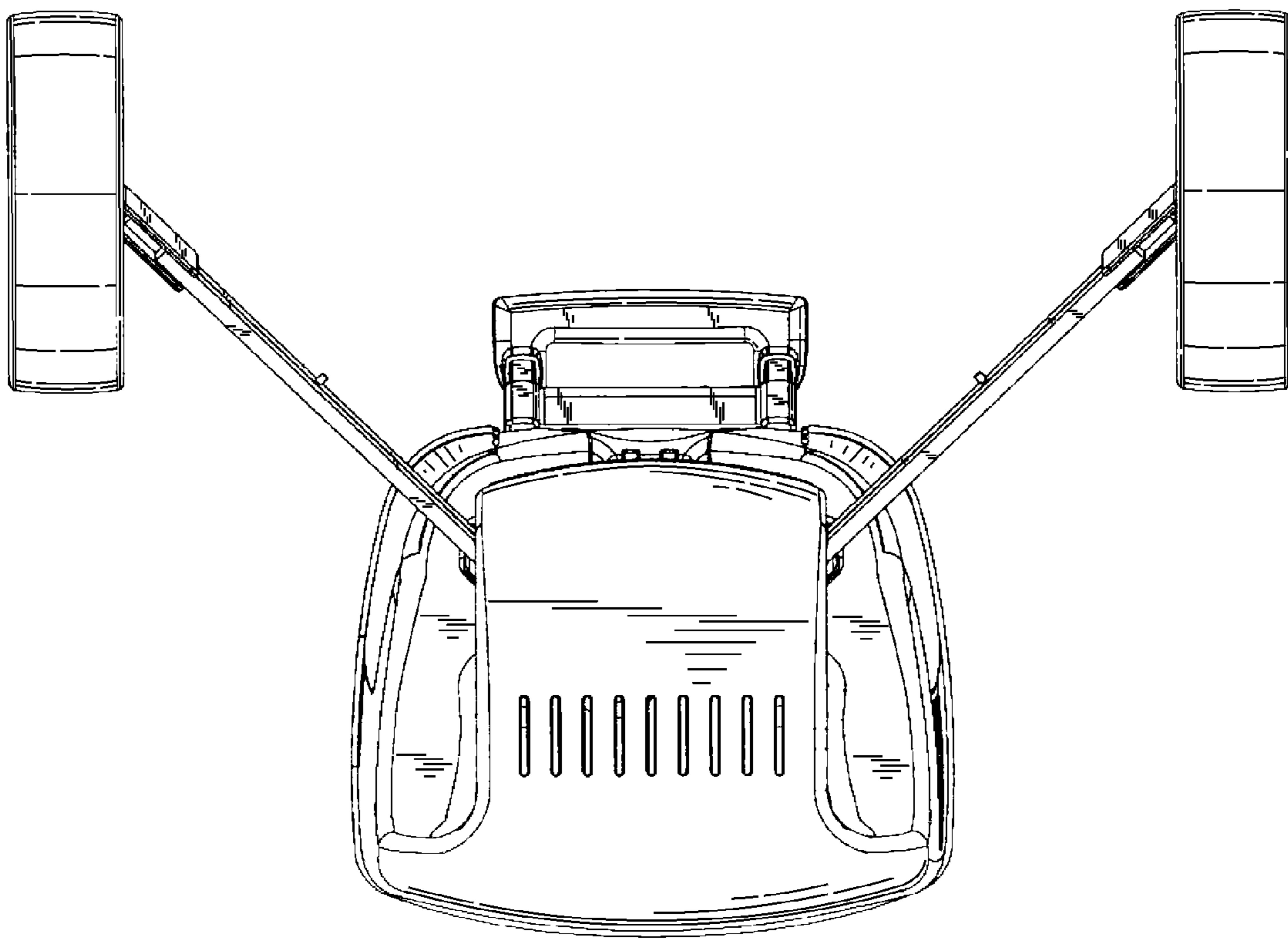


FIG. 14

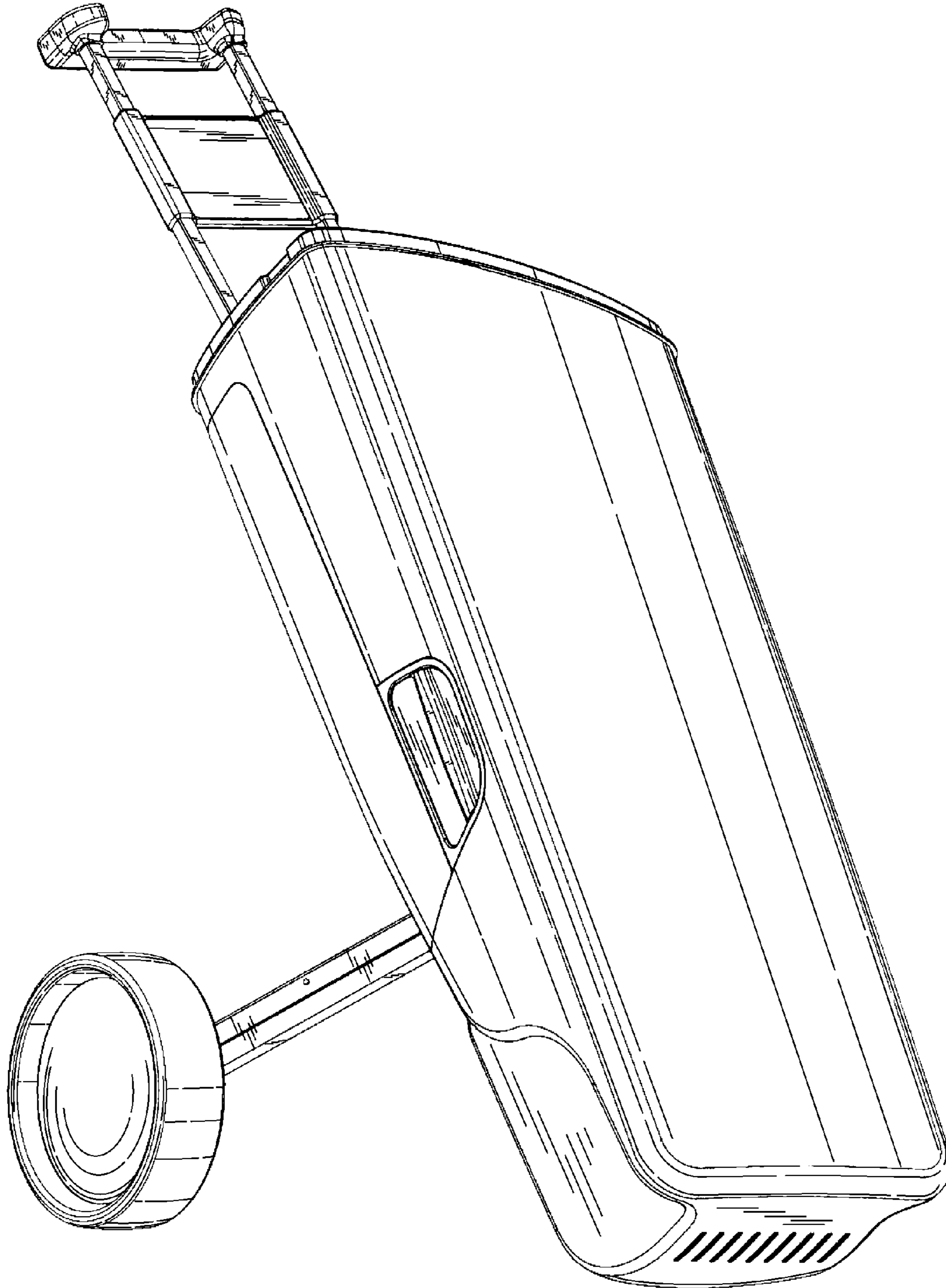


FIG. 15

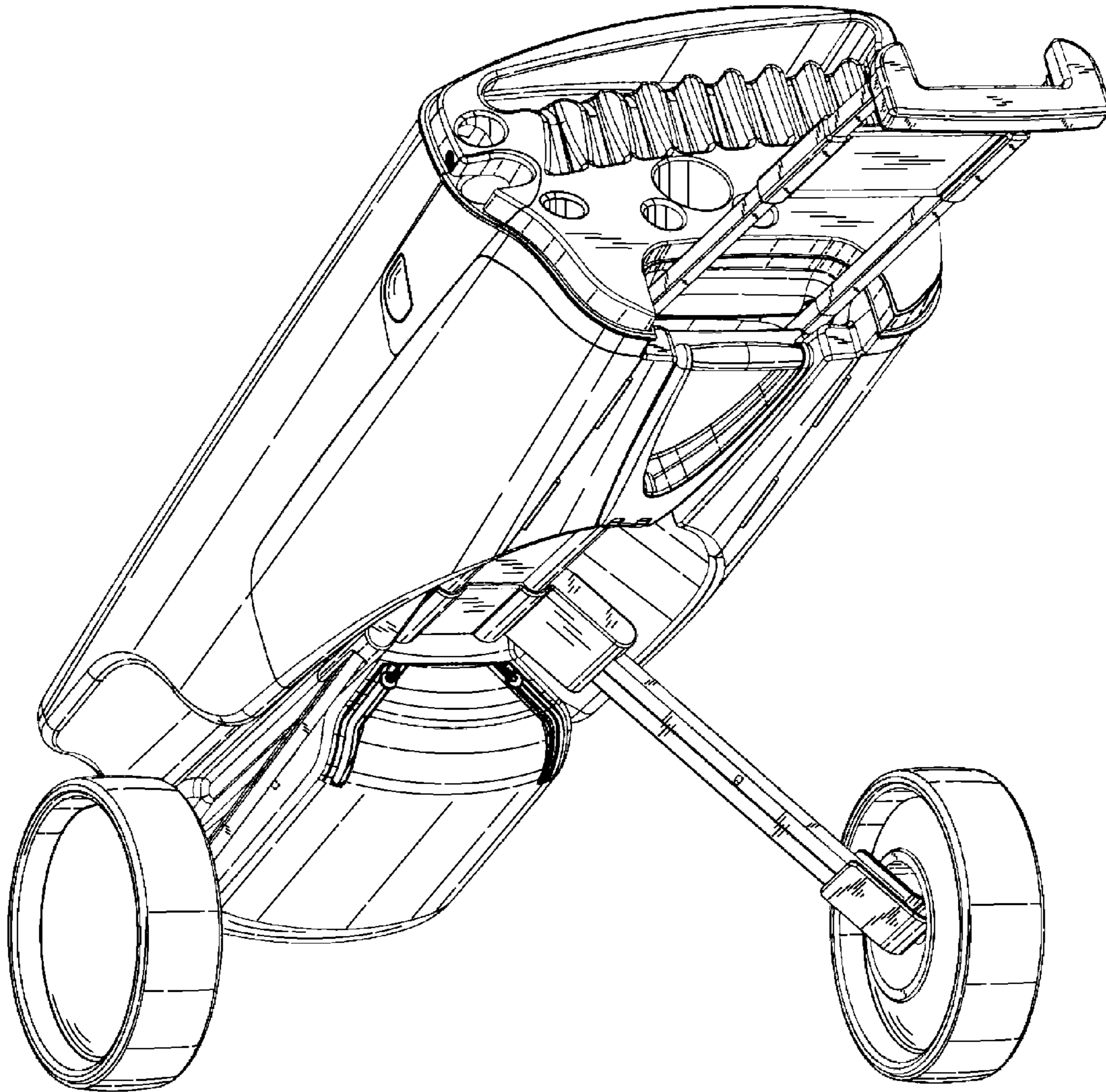


FIG. 16