

US00D593315S

(12) **United States Design Patent**
Zemel

(10) **Patent No.:** **US D593,315 S**

(45) **Date of Patent:** **** Jun. 2, 2009**

(54) **BEACH UMBRELLA ANCHOR**

(75) Inventor: **Marc Zemel**, Melville, NY (US)

(73) Assignee: **Mr. Bar-B-Q-, Inc.**, Old Bethpage, NY (US)

(**) Term: **14 Years**

(21) Appl. No.: **29/329,589**

(22) Filed: **Dec. 18, 2008**

(51) **LOC (9) Cl.** **06-04**

(52) **U.S. Cl.** **D3/10; D8/388; D21/840**

(58) **Field of Classification Search** D6/417;
D21/840; 248/533, 156; 135/16, 118; D8/388,
D8/391; D3/10, 12; 403/86

See application file for complete search history.

(56) **References Cited**

U.S. PATENT DOCUMENTS

2,103,948	A	12/1937	Jones	
2,441,109	A *	5/1948	Carlson	403/86
4,832,304	A *	5/1989	Morgulis	248/533
5,088,681	A	2/1992	Procaccianti et al.	
D363,755	S *	10/1995	Diederich	D21/840
5,482,246	A	1/1996	Derkoski	
D397,401	S *	8/1998	Diederich	D21/840
D398,363	S *	9/1998	LoBue	D21/840
D402,803	S *	12/1998	Goldberg et al.	D3/12
D421,532	S	3/2000	Koroncai	

6,032,880	A	3/2000	Verrills et al.	
6,321,861	B1	11/2001	Leichter	
D456,131	S *	4/2002	Dotson, Jr.	D3/10
7,264,210	B2	9/2007	Yu	
2004/0129184	A1	7/2004	Kraker	
2006/0272687	A1	12/2006	Tanner et al.	

* cited by examiner

Primary Examiner—Caron Veynar

Assistant Examiner—Sydney R Buffalow

(74) *Attorney, Agent, or Firm*—Seth Natter; Natter & Natter

(57) **CLAIM**

The ornamental design for a beach umbrella anchor, as shown and described.

DESCRIPTION

FIG. 1 is a front elevational view of a beach umbrella anchor showing my new design;

FIG. 2 is a rear elevational view thereof;

FIG. 3 is a left side elevational view thereof;

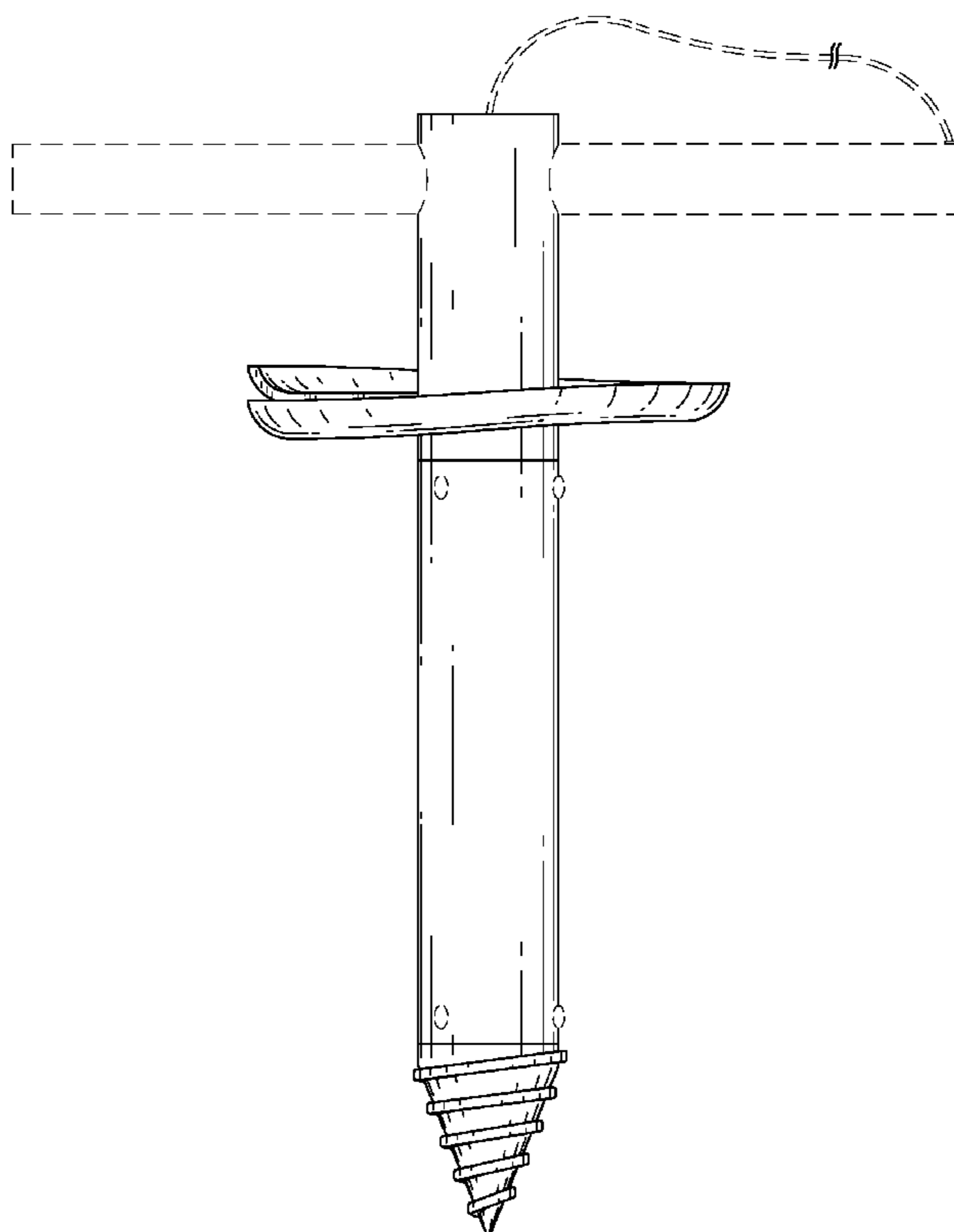
FIG. 4 is a right side elevational view thereof;

FIG. 5 is a top plan view thereof; and,

FIG. 6 is a bottom view thereof.

The portions shown in dashed lines form no part of the claimed design.

1 Claim, 4 Drawing Sheets



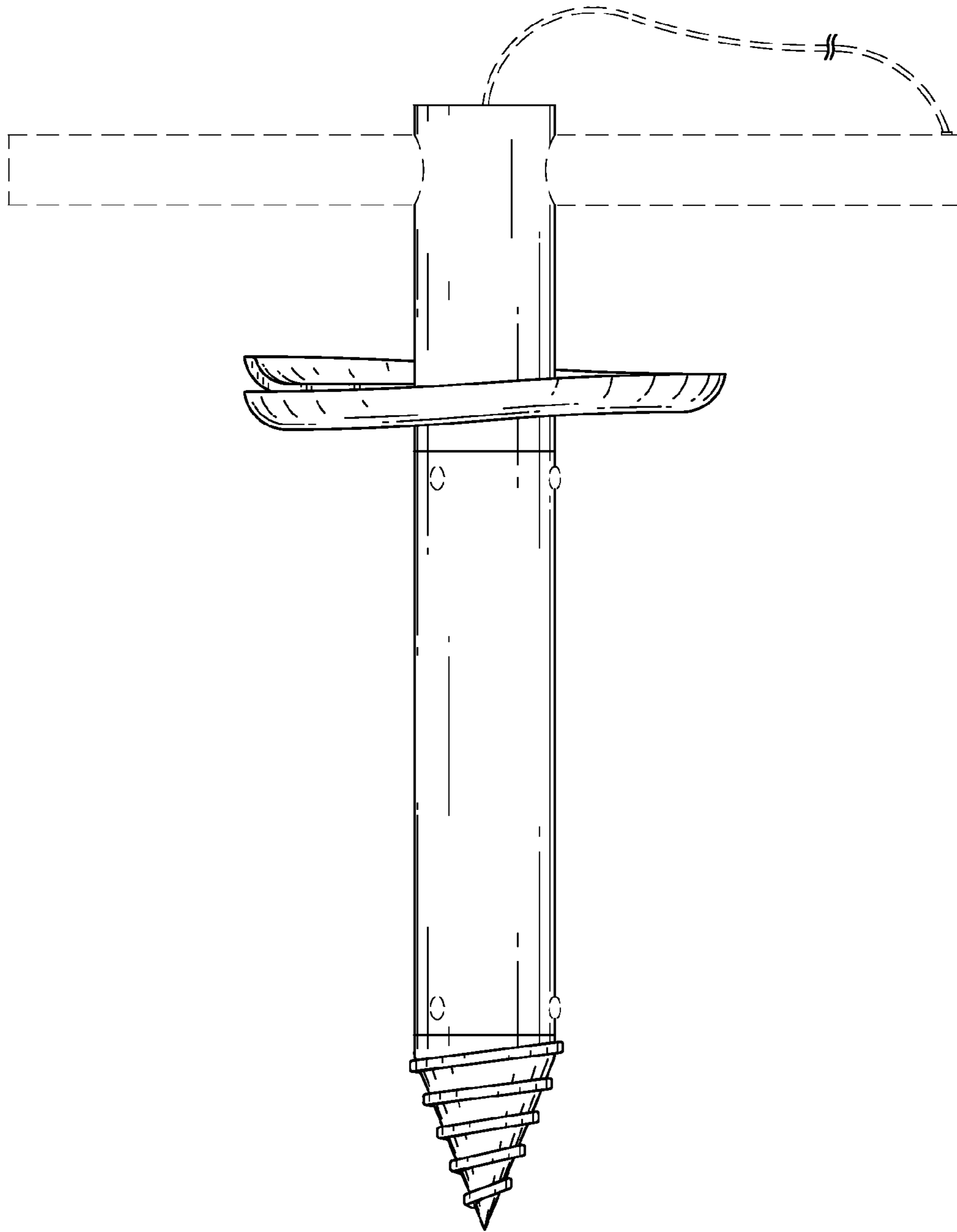


Fig. 1

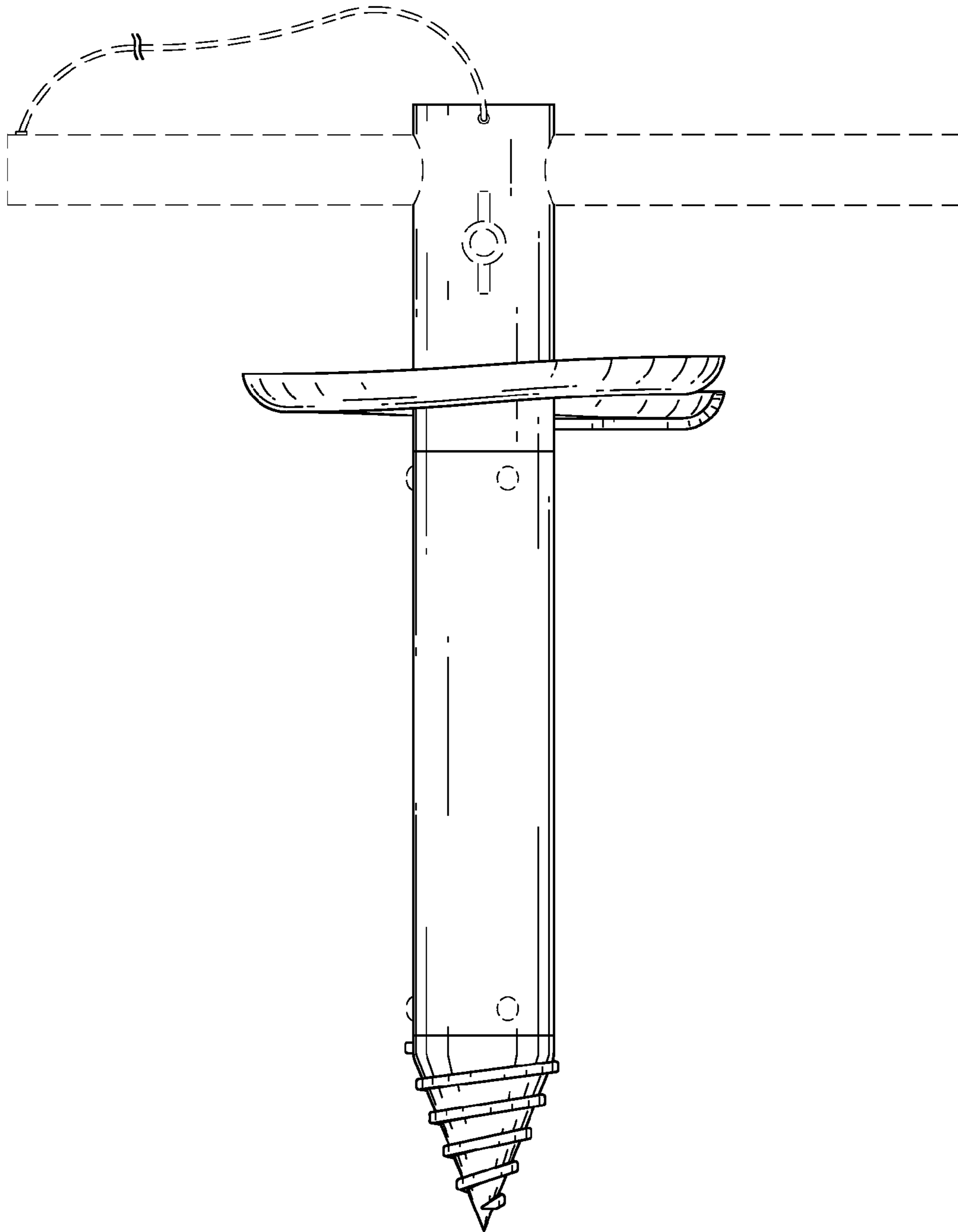


Fig. 2

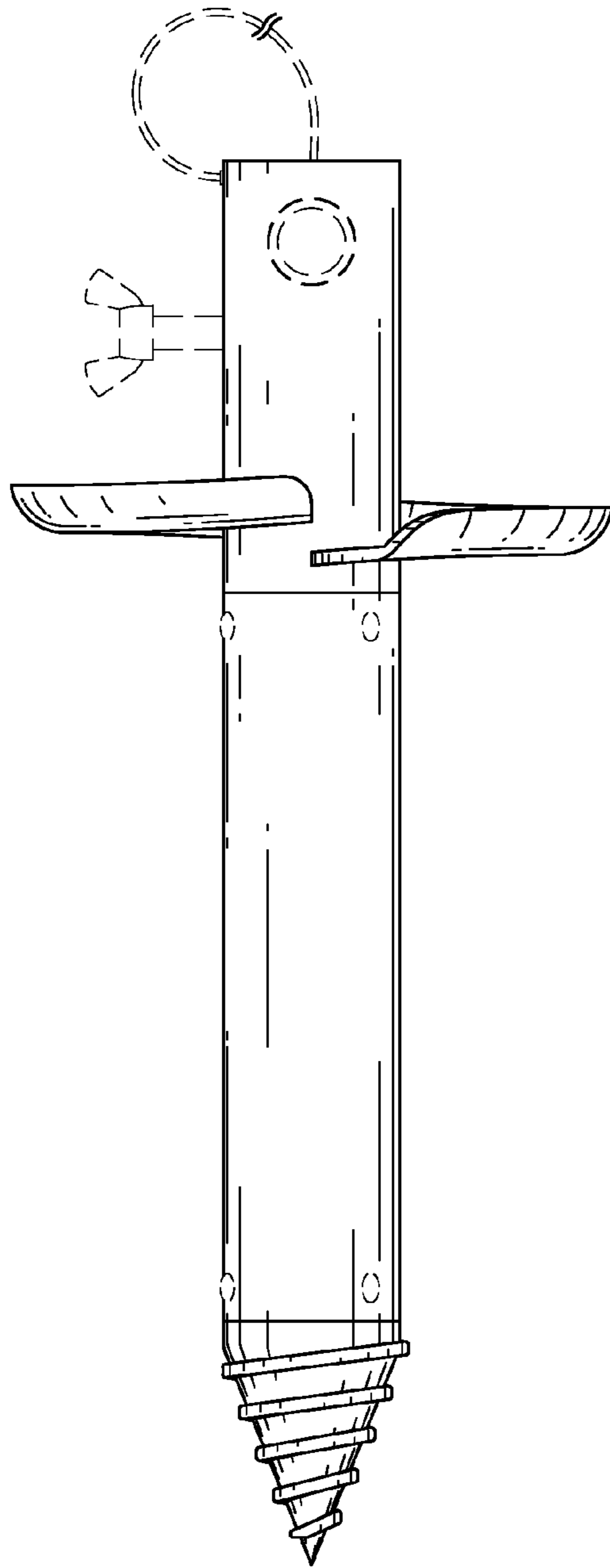


Fig. 3

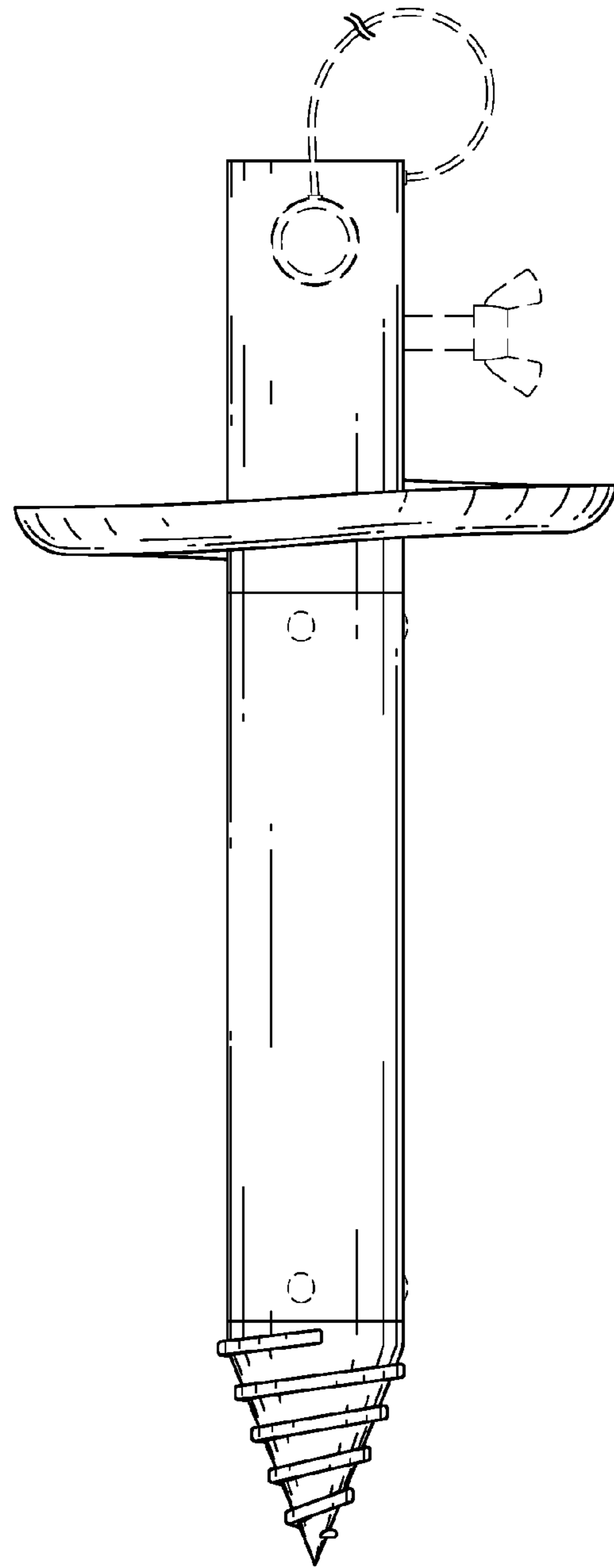


Fig. 4

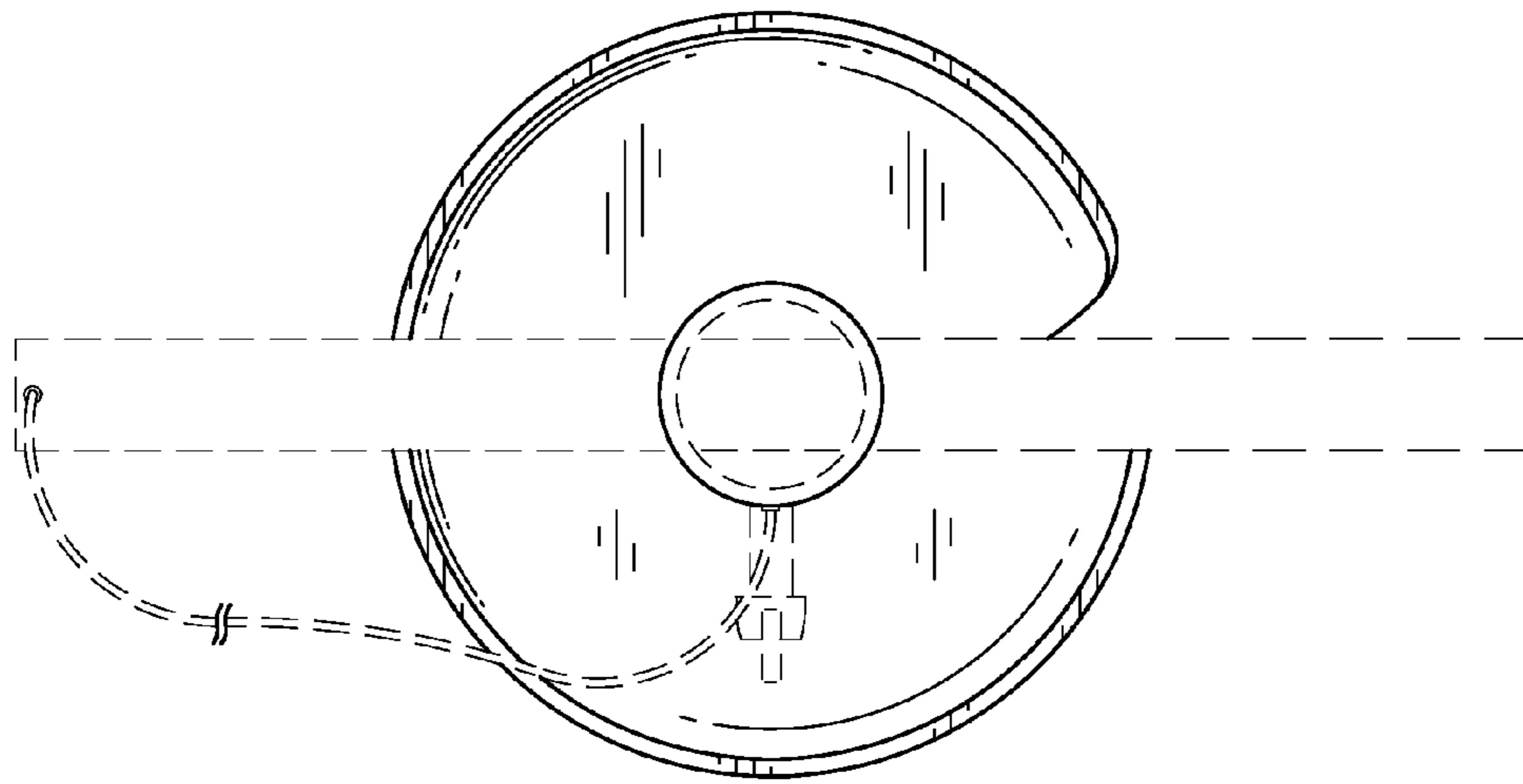


Fig. 5

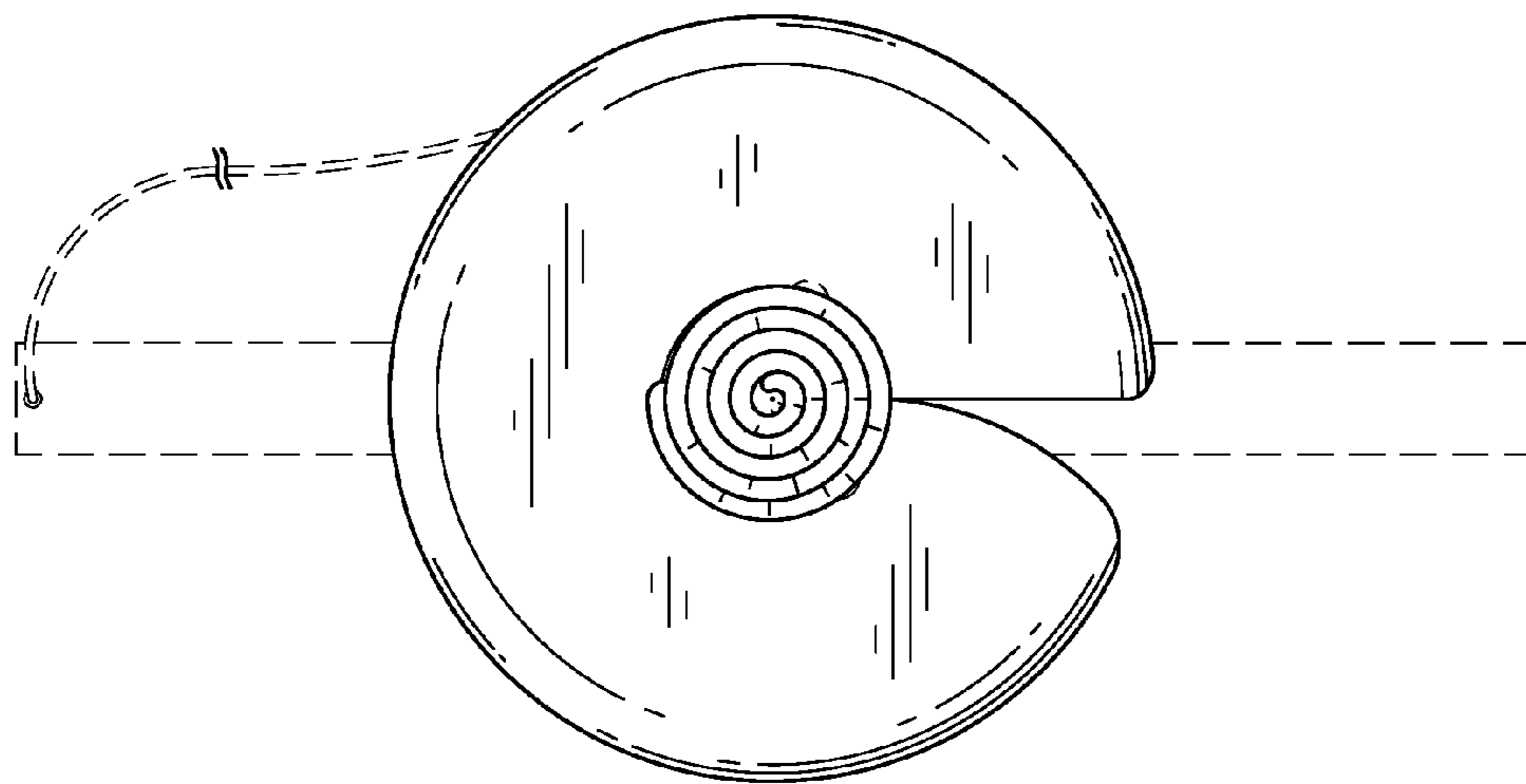


Fig. 6