



US00D593313S

(12) **United States Design Patent**  
**Austin**

(10) **Patent No.:** **US D593,313 S**  
(45) **Date of Patent:** **\*\* Jun. 2, 2009**

(54) **SHOE TONGUE**

6,895,696 B1 \* 5/2005 Sanders ..... 36/54  
D507,861 S \* 8/2005 Kim ..... D2/946

(75) Inventor: **Dallas Austin**, Atlanta, GA (US)

\* cited by examiner

(73) Assignee: **Cytron, Inc.**, Atlanta, GA (US)

*Primary Examiner*—Dominic Simone

(\*\*) Term: **14 Years**

(74) *Attorney, Agent, or Firm*—Greenberg Traurig LLP

(21) Appl. No.: **29/302,170**

(57) **CLAIM**

(22) Filed: **Jan. 11, 2008**

The ornamental design for a shoe tongue, as shown and described.

(51) **LOC (9) Cl.** ..... **02-99**

(52) **U.S. Cl.** ..... **D2/975; D2/946**

(58) **Field of Classification Search** ..... D2/896–899,  
D2/902, 906–908, 943, 944, 969, 972–974,  
D2/946, 975, 976; 36/45, 50.1, 77 M, 77 R,  
36/83, 88, 113, 114, 126–131, 132, 136,  
36/54

**DESCRIPTION**

See application file for complete search history.

FIG. 1 is a left side elevation view of an embodiment of a shoe tongue showing the new design.

FIG. 2 is a front elevation view of an embodiment of the shoe tongue shown in FIG. 1.

FIG. 3 is a back elevation view of the embodiment of a shoe tongue shown in FIG. 1.

FIG. 4 is a left side view of the embodiment of a shoe tongue shown in FIG. 1.

FIG. 5 is a right side view of the embodiment of a shoe tongue shown in FIG. 1; and,

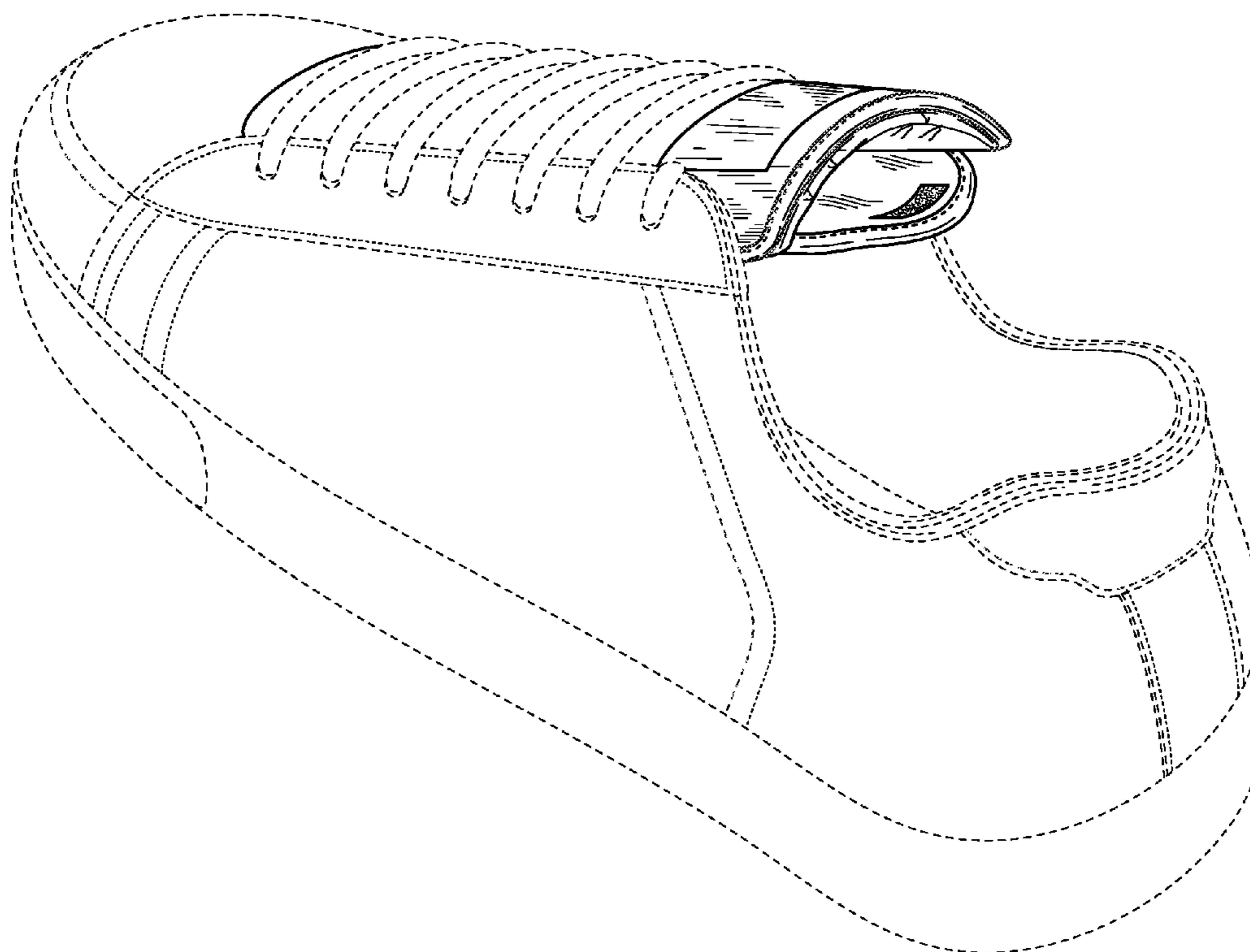
FIG. 6 is a top view of the embodiment of a shoe tongue shown in FIG. 1.

(56) **References Cited**

**U.S. PATENT DOCUMENTS**

601,192 A \* 3/1898 Woodside ..... 36/54  
D92,282 S \* 5/1934 Andrews ..... D2/975  
4,630,383 A \* 12/1986 Gamm ..... 36/136  
D305,178 S \* 12/1989 Tonkel ..... D2/975  
D311,446 S \* 10/1990 Merritt ..... D2/975  
D404,546 S \* 1/1999 Isenberg ..... D2/946

**1 Claim, 5 Drawing Sheets**



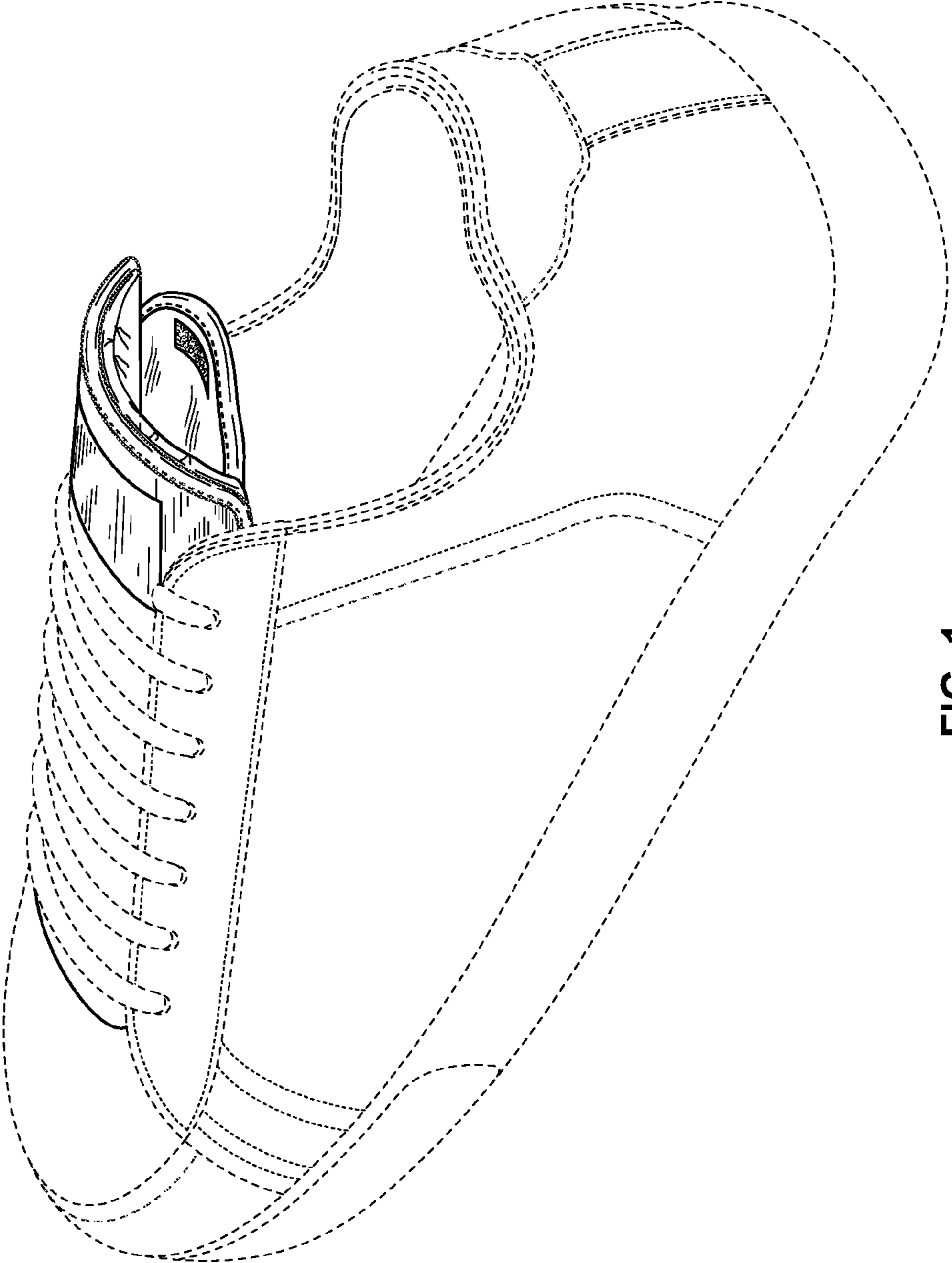


FIG. 1

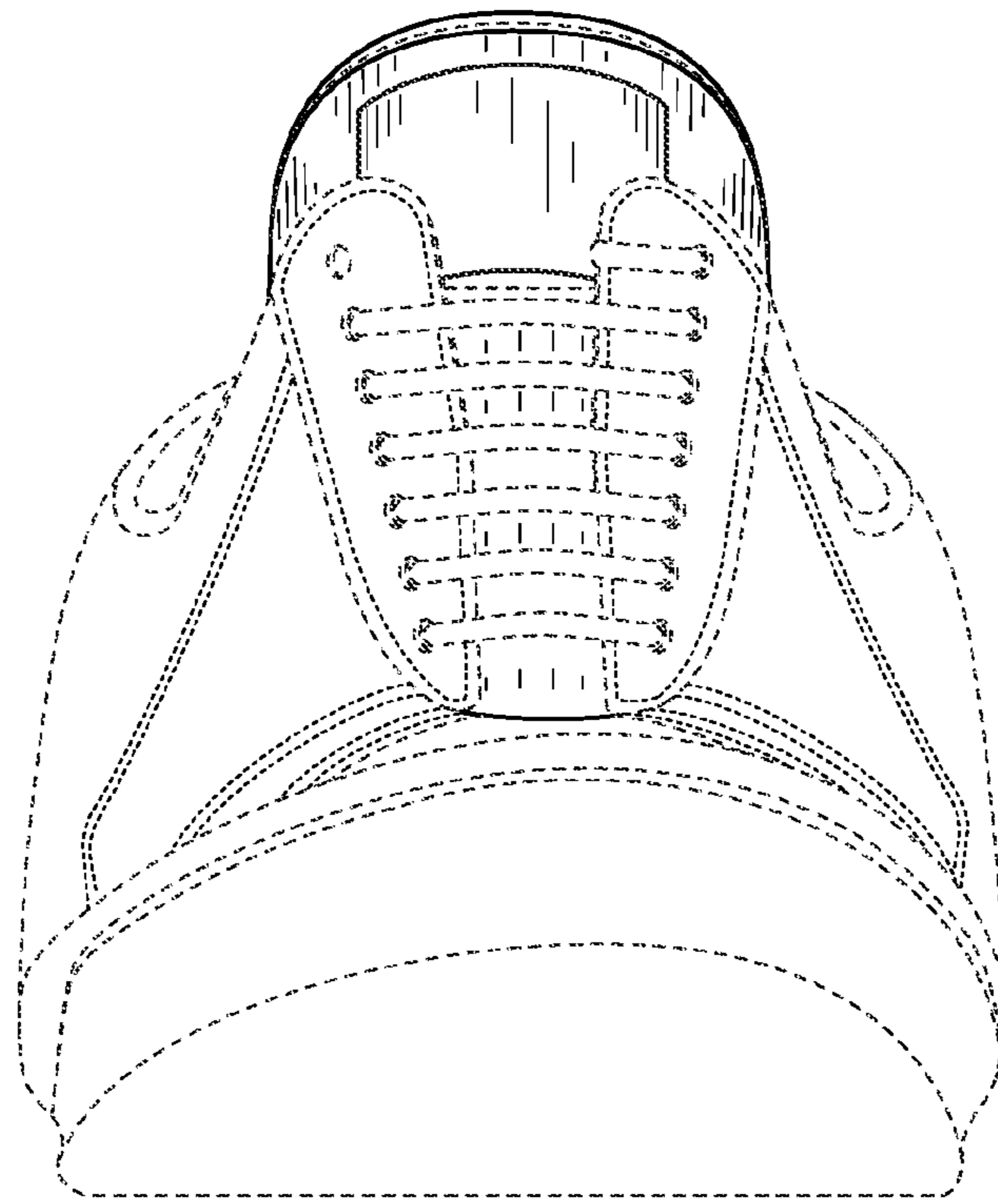


FIG. 2

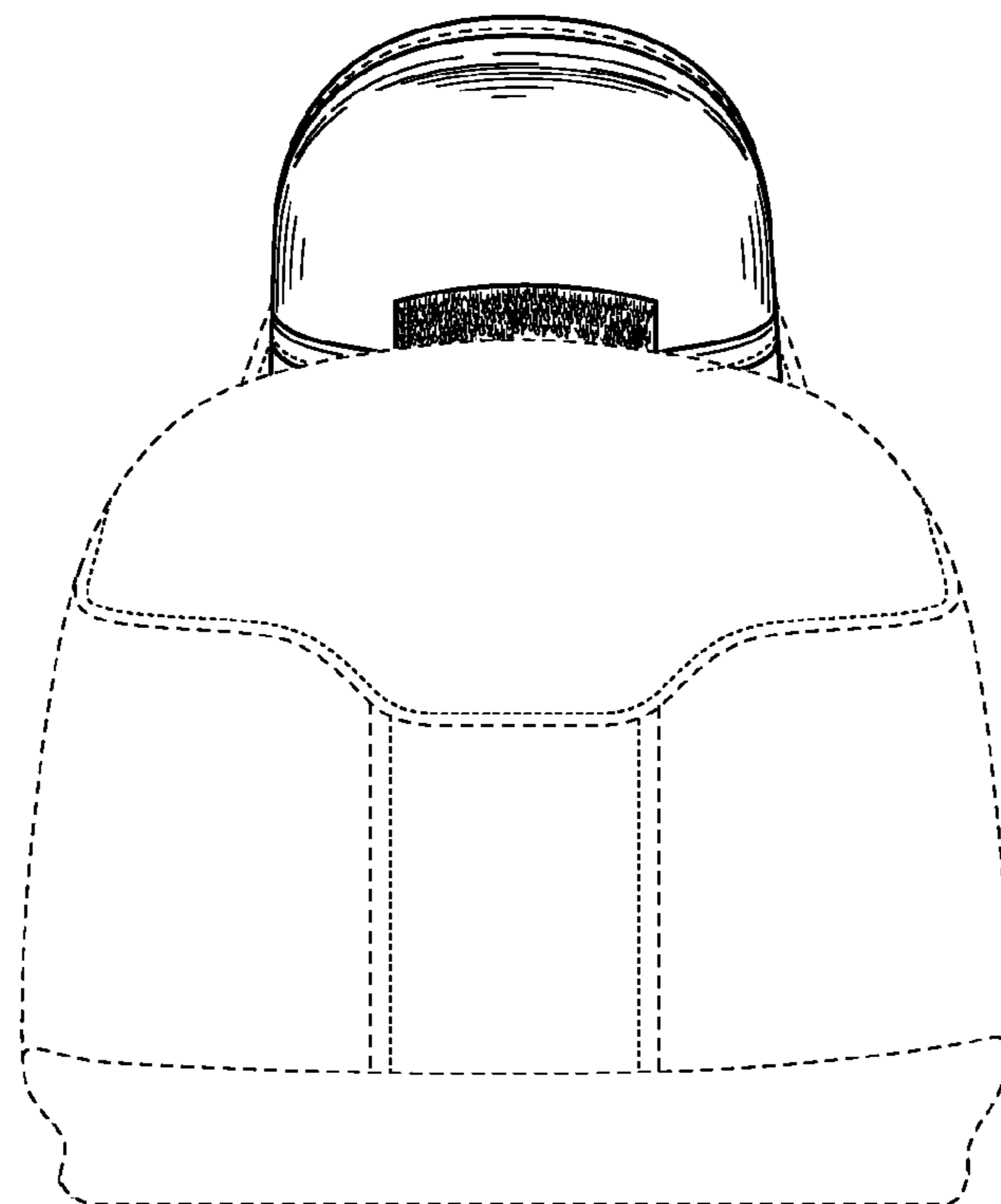


FIG. 3

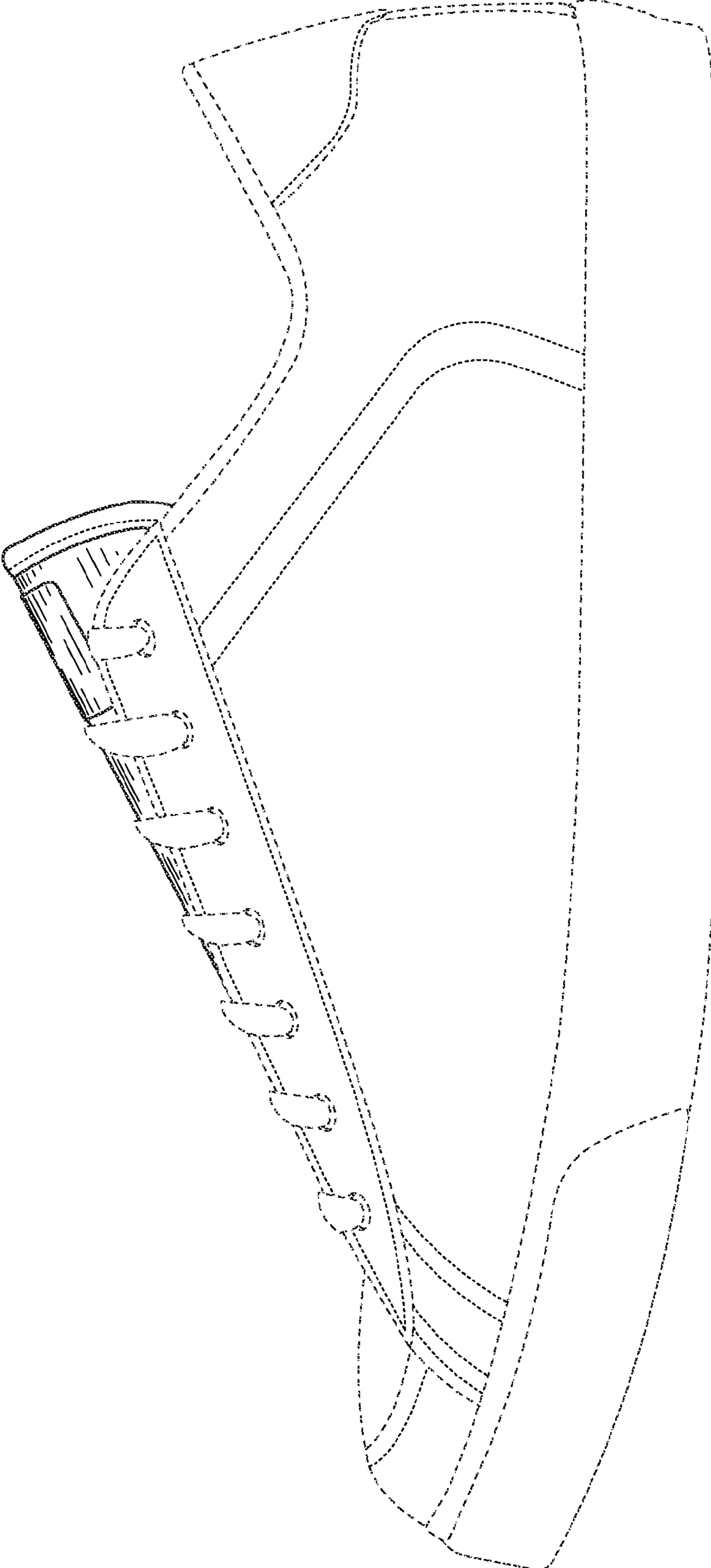


FIG. 4

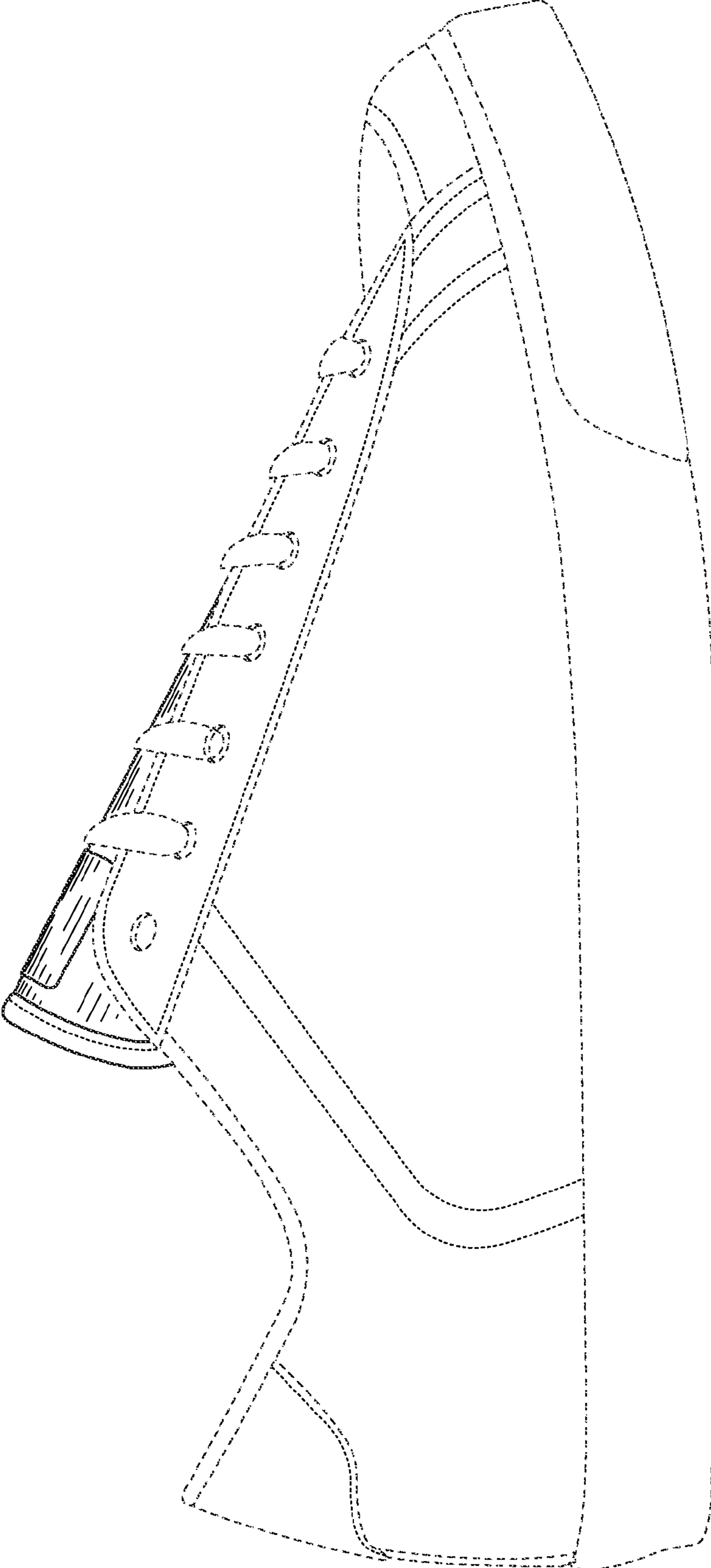


FIG. 5



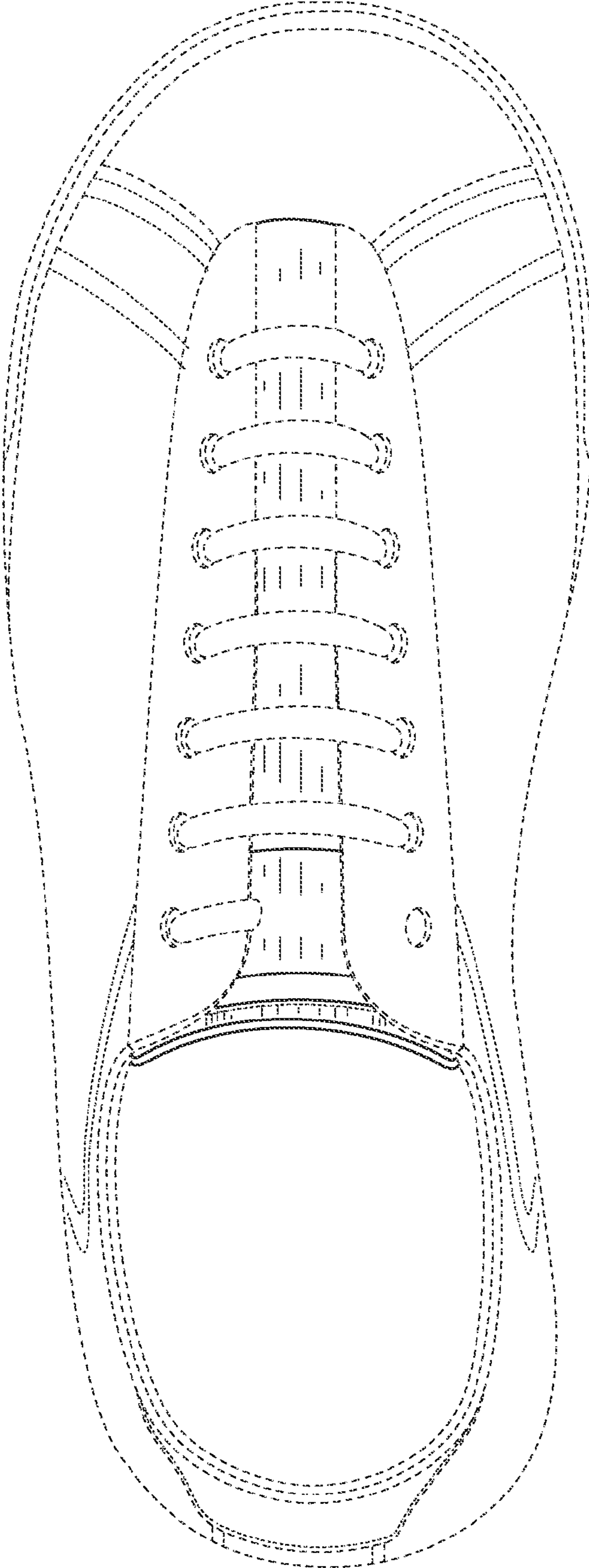


FIG. 6