



US00D593285S

(12) **United States Design Patent**
Olivo

(10) **Patent No.:** **US D593,285 S**
(45) **Date of Patent:** **** Jun. 2, 2009**

(54) **HAT WITH MEDALLION**

(76) Inventor: **Richard Olivo**, 9925 Aldine Westfield,
Houston, TX (US) 77093

(**) Term: **14 Years**

(21) Appl. No.: **29/306,607**

(22) Filed: **Apr. 11, 2008**

(51) **LOC (9) Cl.** **02-03**

(52) **U.S. Cl.** **D2/893**

(58) **Field of Classification Search** D2/865,
D2/870, 871, 872, 873, 875, 876, 878, 879,
D2/882, 884, 886, 893, 888; 2/171, 171.1,
2/171.4, 171.5, 175.3, 184, 195.1, 195.2,
2/195.3, 195.4, 195.7, 200.1, 200.2, 209.11,
2/209.12, 209.13, 209.3, 209.7

See application file for complete search history.

(56) **References Cited**

U.S. PATENT DOCUMENTS

986,728	A *	3/1911	Lee et al.	2/174
4,292,689	A *	10/1981	Townsend, Jr.	2/12
5,088,127	A *	2/1992	Thornock	2/209.13
D358,248	S *	5/1995	Kercher	D2/893
D374,331	S *	10/1996	Duggan	D2/872
5,901,370	A *	5/1999	Linday	2/10
5,996,116	A *	12/1999	Tate	2/12
6,175,963	B1 *	1/2001	Loeffelholz	2/209.13
D457,712	S *	5/2002	Glaser	D2/869
D459,860	S *	7/2002	Bussell	D2/869
6,422,955	B1 *	7/2002	Lopez	473/406
D474,000	S *	5/2003	O'Dell et al.	D2/882
D483,174	S *	12/2003	Lee	D2/893
6,675,512	B1 *	1/2004	Shwartz et al.	40/329
6,721,962	B1 *	4/2004	Polaire	2/209.13
D521,211	S *	5/2006	Park	D2/893

7,120,972	B2 *	10/2006	O'Banion	24/303
D540,011	S *	4/2007	Kim	D2/893
D543,014	S *	5/2007	Sharpe et al.	D2/884
D550,931	S *	9/2007	Valcourt	D2/866
7,291,015	B2 *	11/2007	Duprey	434/132
D578,741	S *	10/2008	Hernandez	D2/891

OTHER PUBLICATIONS

Miller Lite USAF Medallion Hat with Bottle Opener, as shown on
www.gappromo-miller.com, viewed Nov. 26, 2008 (3 pages).*

First Responder RP911 cap, as shown in Rockpoint 2008 Catalog, p.
14, as viewed Nov. 17, 2008 (1 page).*

Defenders of Freedom cap with embedable medallion, as shown on
www.rockpoint-apparel.com, viewed Nov. 17, 2008 (2 pages).*

* cited by examiner

Primary Examiner—Caron Veynar

Assistant Examiner—Karen E Eldridge Powers

(74) *Attorney, Agent, or Firm*—Osha • Liang LLP

(57) **CLAIM**

The ornamental design for a hat with a medallion, as shown
and described.

DESCRIPTION

FIG. 1 is a perspective view of the front, side, and top of a hat
with medallion showing our new design;

FIG. 2 is a front view thereof;

FIG. 3 is a back view thereof;

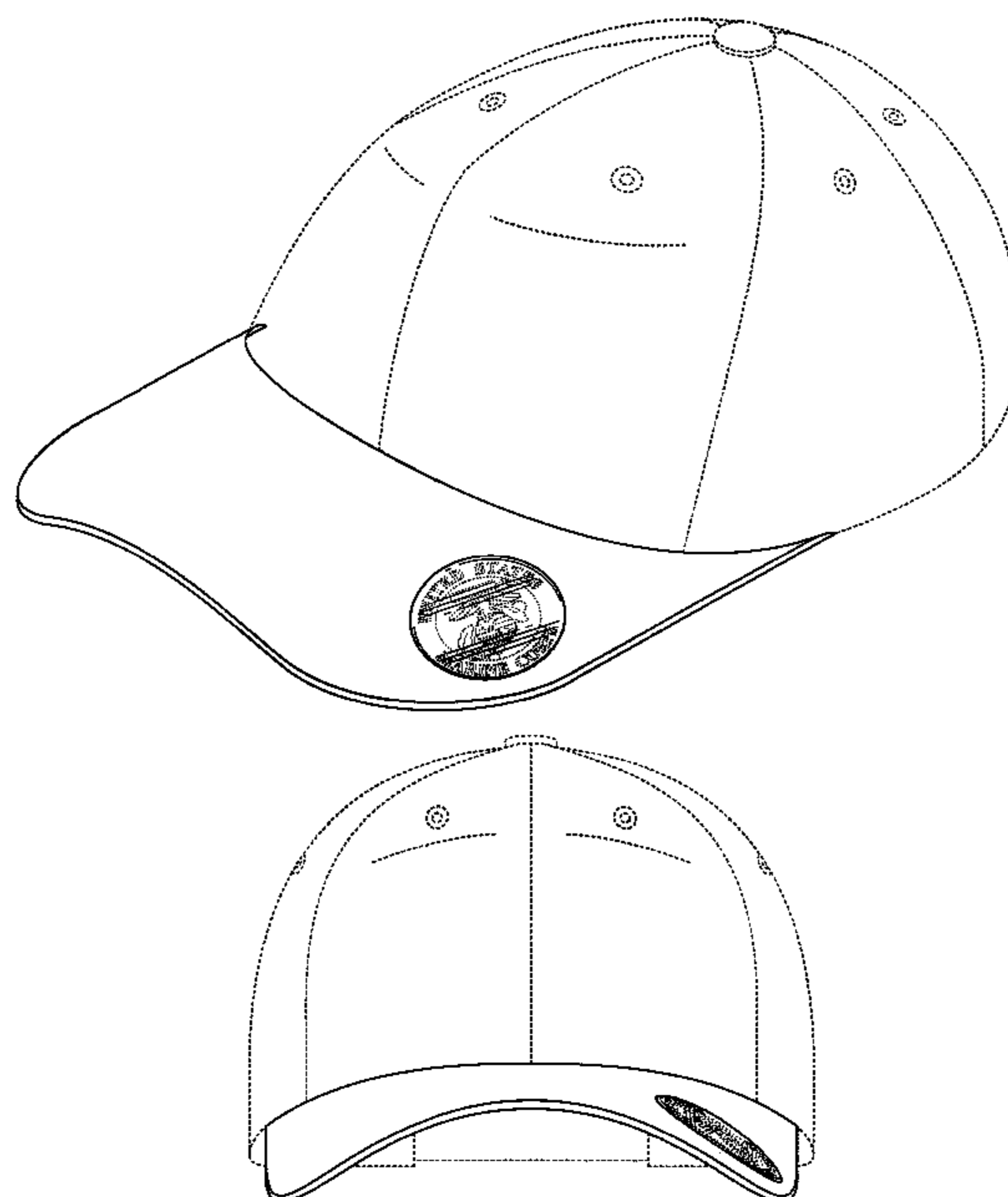
FIG. 4 is a side view thereof;

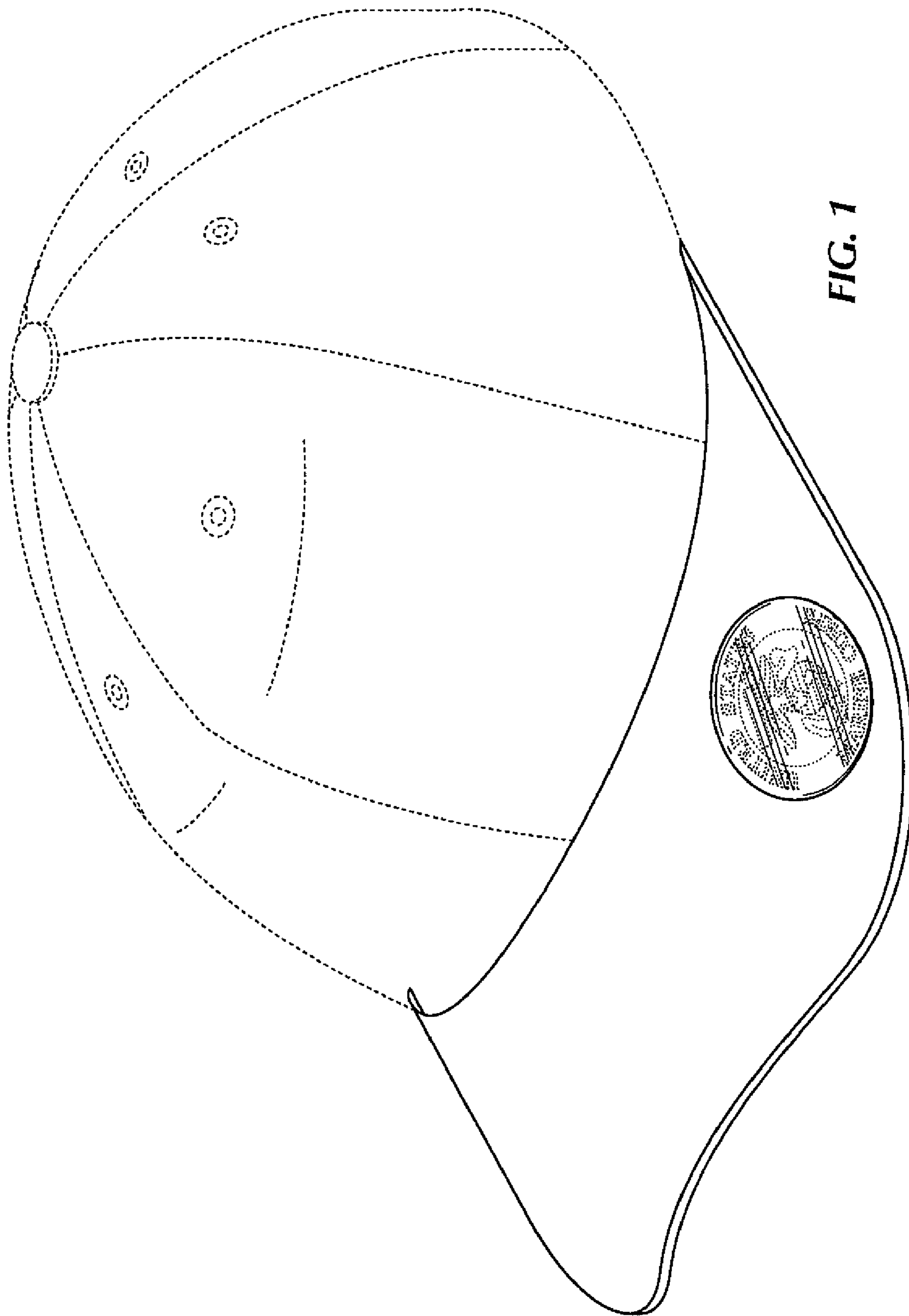
FIG. 5 is a top plan view thereof; and,

FIG. 6 is a bottom plan view thereof.

The broken lines shown in the drawings illustrate environ-
mental matter and form no part of the claimed design.

1 Claim, 5 Drawing Sheets





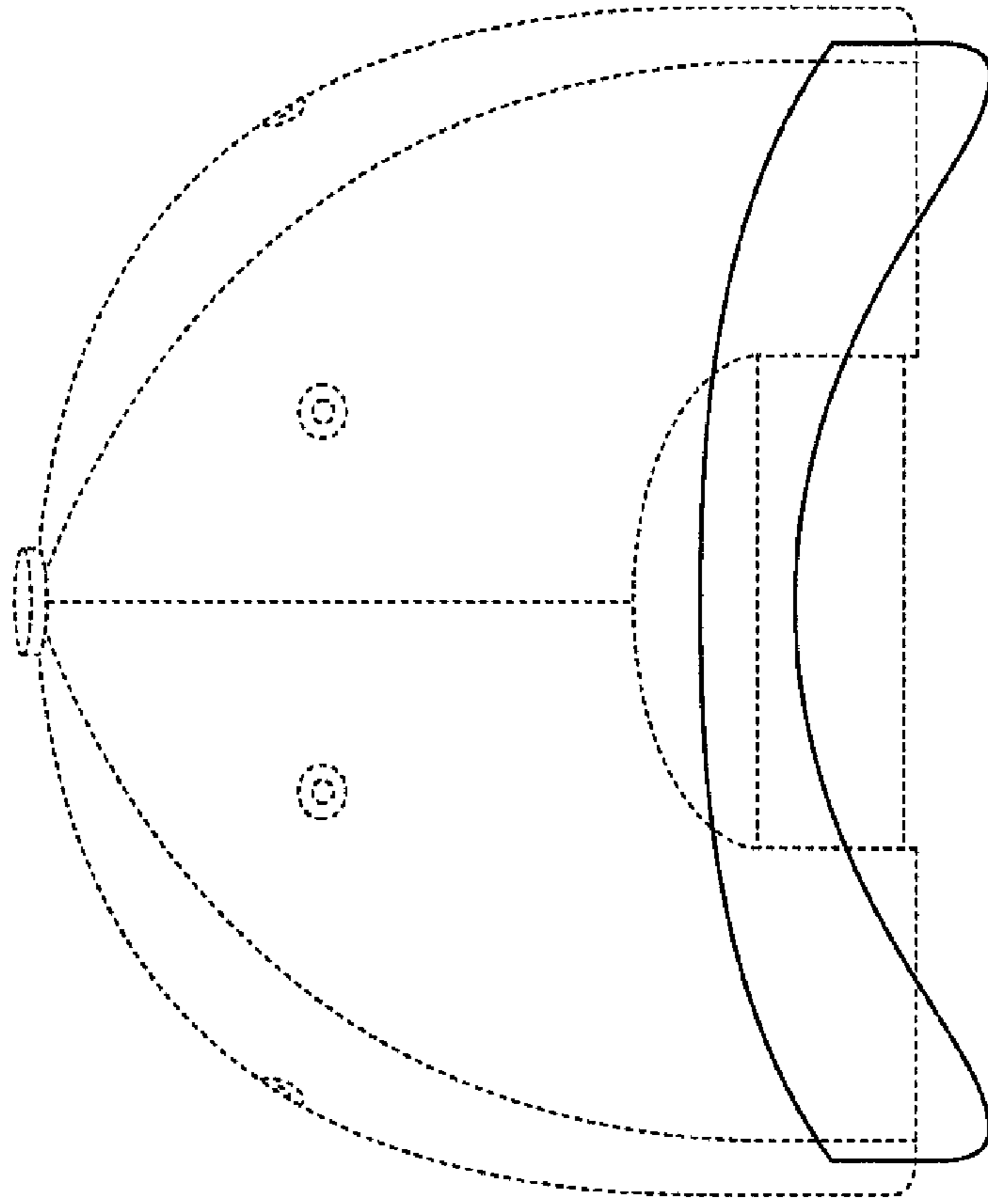


FIG. 3

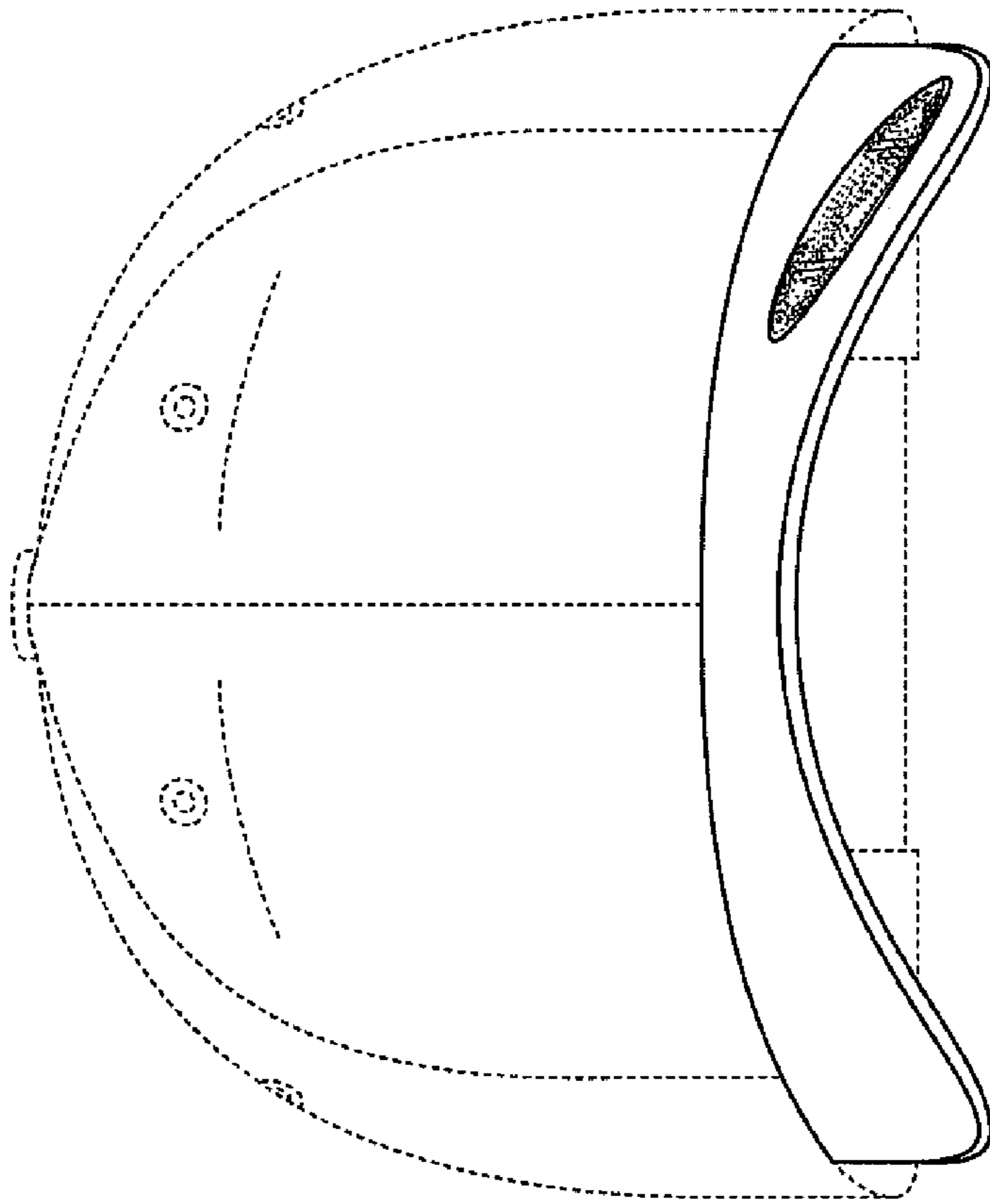


FIG. 2

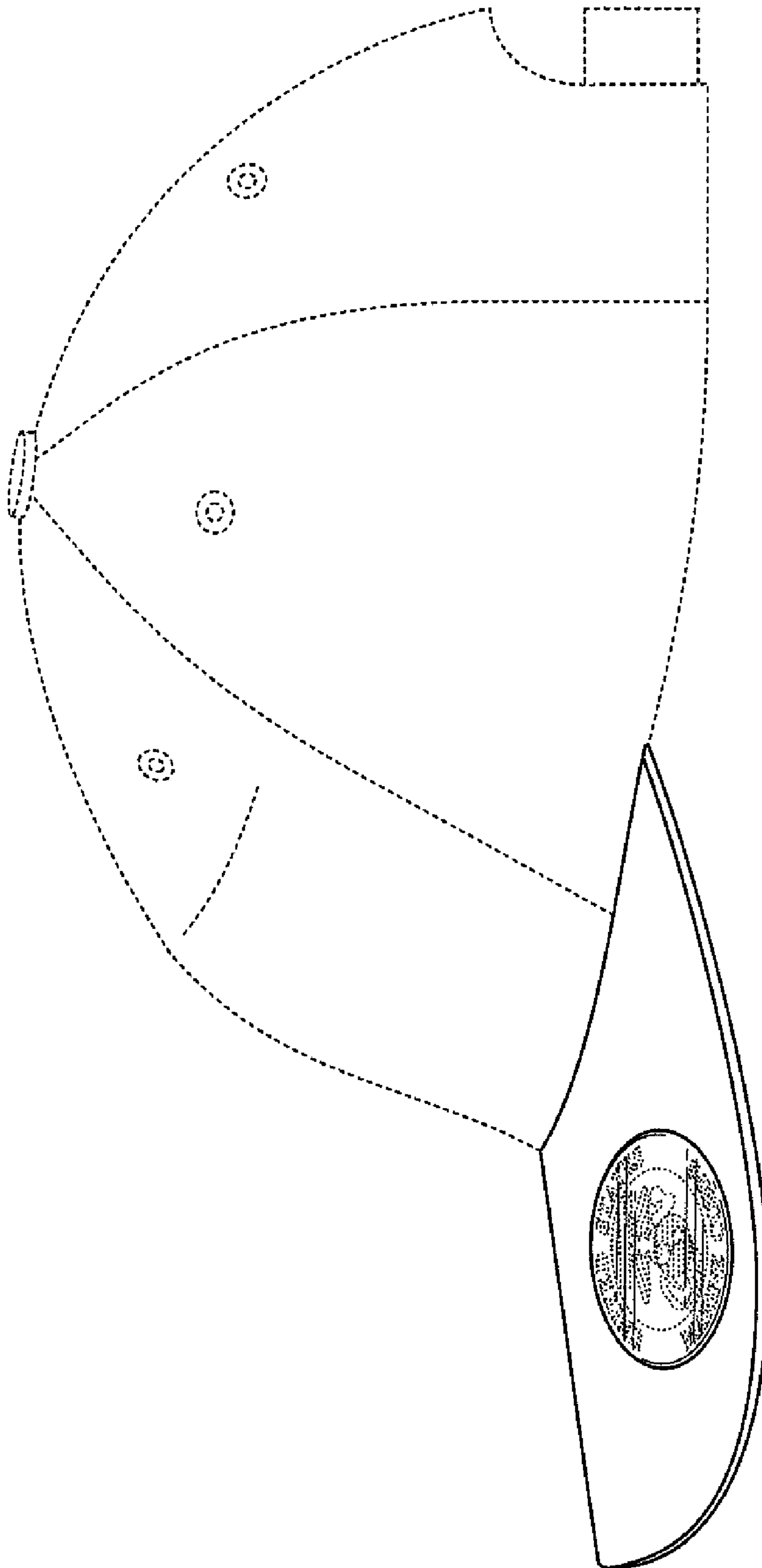


FIG. 4

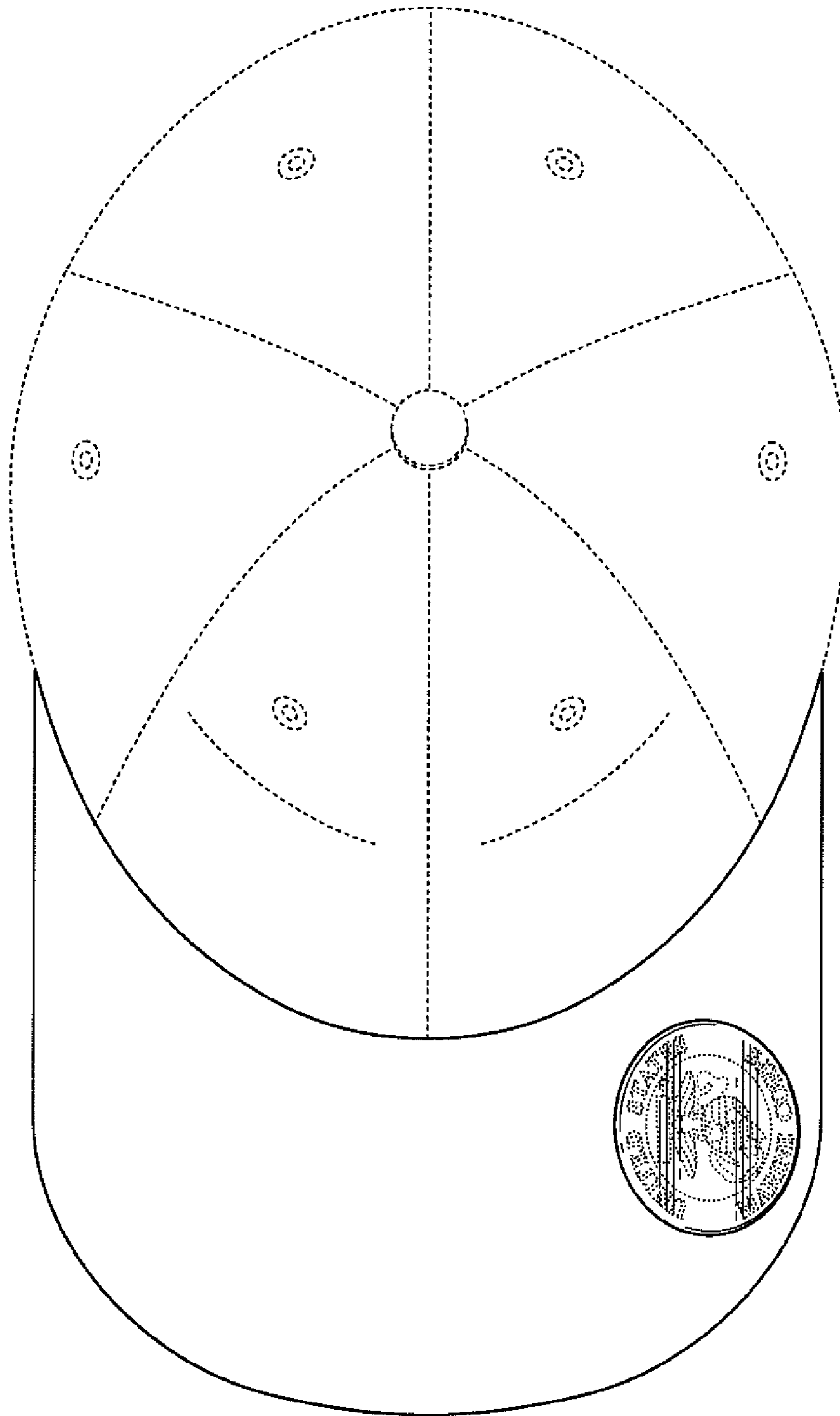


FIG. 5

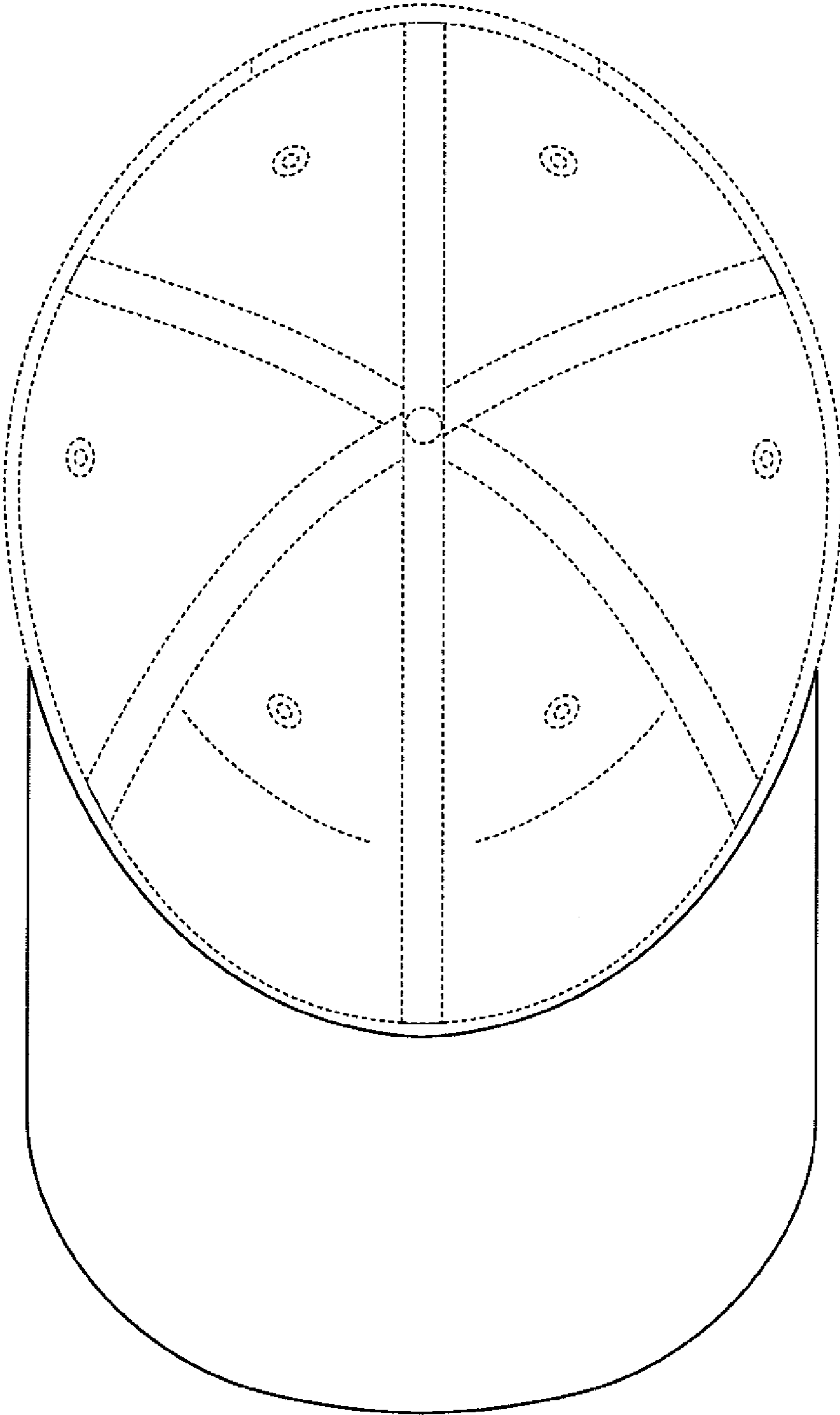


FIG. 6