



US00D593274S

(12) **United States Design Patent**  
**Knie et al.**

(10) **Patent No.:** **US D593,274 S**

(45) **Date of Patent:** **\*\* May 26, 2009**

(54) **POLE HEAD FOR A LIFT TRUCK**  
(75) Inventors: **Andreas Knie**, Hamburg (DE); **Kai Hestermann**, Kiel (DE)  
(73) Assignee: **Jungheinrich Aktiengesellschaft**, Hamburg (DE)  
(\*\*) Term: **14 Years**

D392,083 S \* 3/1998 Wu ..... D34/27  
D445,553 S \* 7/2001 Pulskamp et al. .... D34/35  
D446,478 S \* 8/2001 Wu ..... D12/133  
D450,417 S \* 11/2001 Pulskamp et al. .... D34/35  
D497,463 S \* 10/2004 Swetish ..... D34/35  
D527,859 S \* 9/2006 Stobe ..... D34/35  
D563,074 S \* 2/2008 Standke ..... D34/35  
D566,132 S \* 4/2008 Mack ..... D15/11  
2006/0232030 A1 \* 10/2006 Passeri ..... 280/43.12

(21) Appl. No.: **29/324,668**  
(22) Filed: **Sep. 17, 2008**

**Related U.S. Application Data**

(62) Division of application No. 29/269,633, filed on Dec. 5, 2006.

**Foreign Application Priority Data**

(30) Jun. 7, 2006 (EM) ..... 000548748

(51) **LOC (9) Cl.** ..... **12-05**  
(52) **U.S. Cl.** ..... **D34/35**  
(58) **Field of Classification Search** ..... D34/34,  
D34/35; 280/43.12, 43.23, 43.17; 187/237,  
187/238; 180/89.12, 89.13, 89.17; 74/488,  
74/484 R

See application file for complete search history.

(56) **References Cited**

**U.S. PATENT DOCUMENTS**

D343,935 S \* 2/1994 Drobeck et al. .... D34/35  
D347,719 S \* 6/1994 Machen et al. .... D34/15  
D364,029 S \* 11/1995 Noonan et al. .... D34/35  
D384,478 S \* 9/1997 Prehn et al. .... D34/35  
5,694,313 A \* 12/1997 Ooiwa ..... 363/145

**OTHER PUBLICATIONS**

Three sheets of lift truck (2004).

\* cited by examiner

*Primary Examiner*—Cynthia E Ramirez

(74) *Attorney, Agent, or Firm*—Vidas, Arrett & Steinkraus, P.A.

(57) **CLAIM**

The ornamental design for a pole head for a lift truck, as shown and described.

**DESCRIPTION**

FIG. 1 is a front perspective view from the right side of a pole head of a lift truck;

FIG. 2 is a front view of the pole head;

FIG. 3 is a bottom view of the pole head;

FIG. 4 an elevational view from the left side of the pole head;

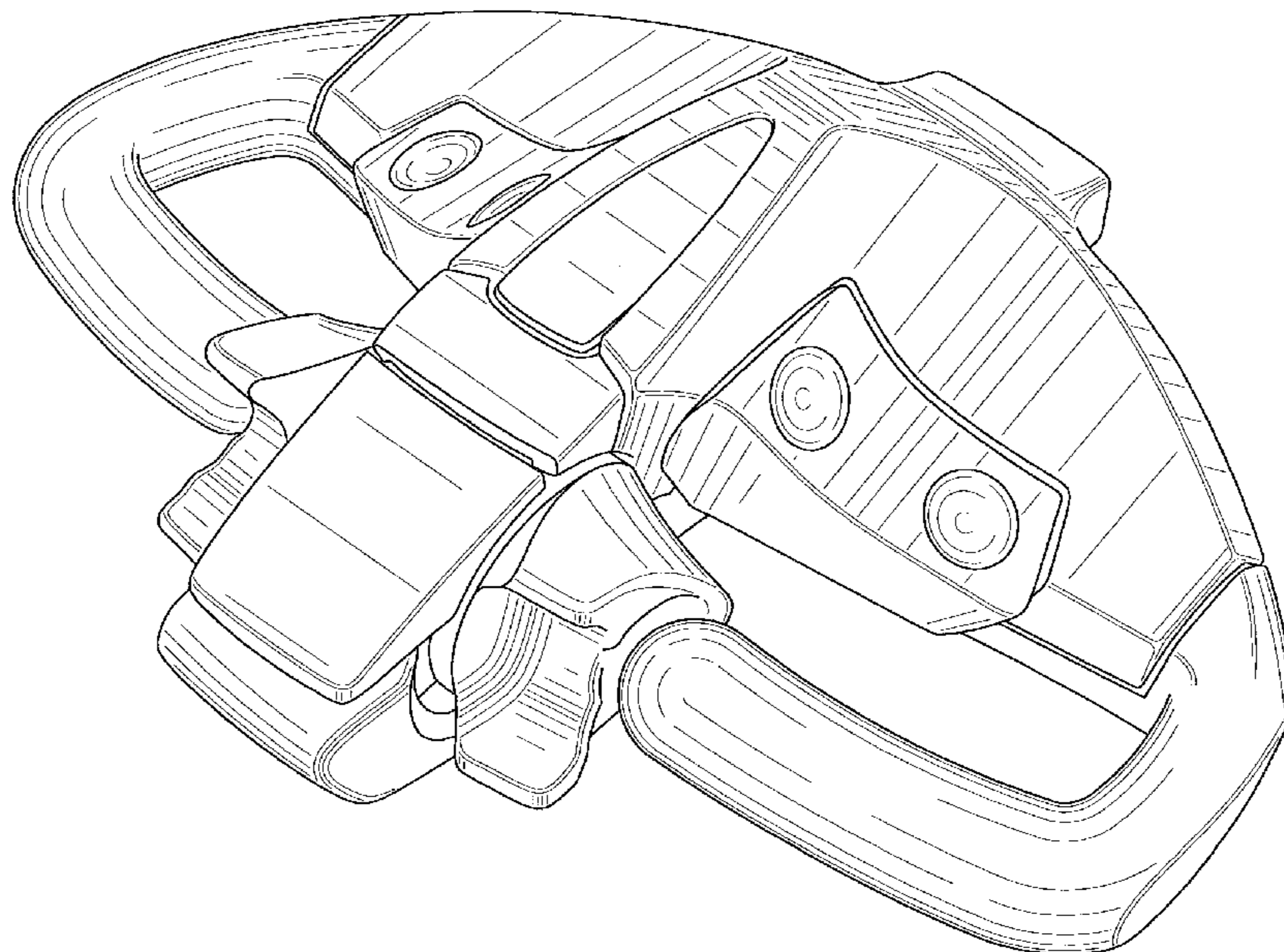
FIG. 5 is a top view of the same pole head;

FIG. 6 is an elevational view from the left side of the pole head;

FIG. 7 is a rear view of the pole head; and,

FIG. 8 is a front view of the pole of a lift truck.

**1 Claim, 8 Drawing Sheets**



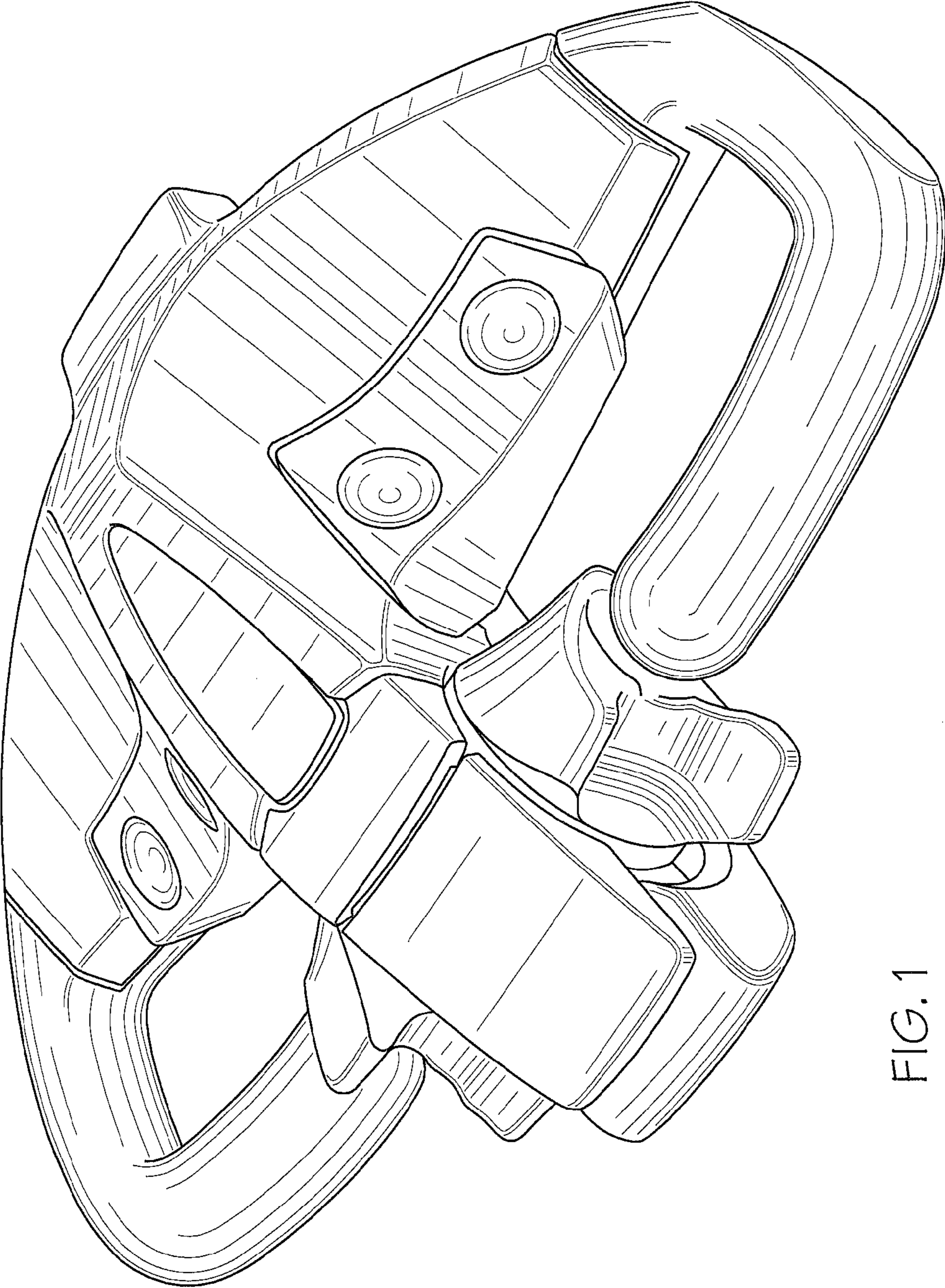


FIG. 1

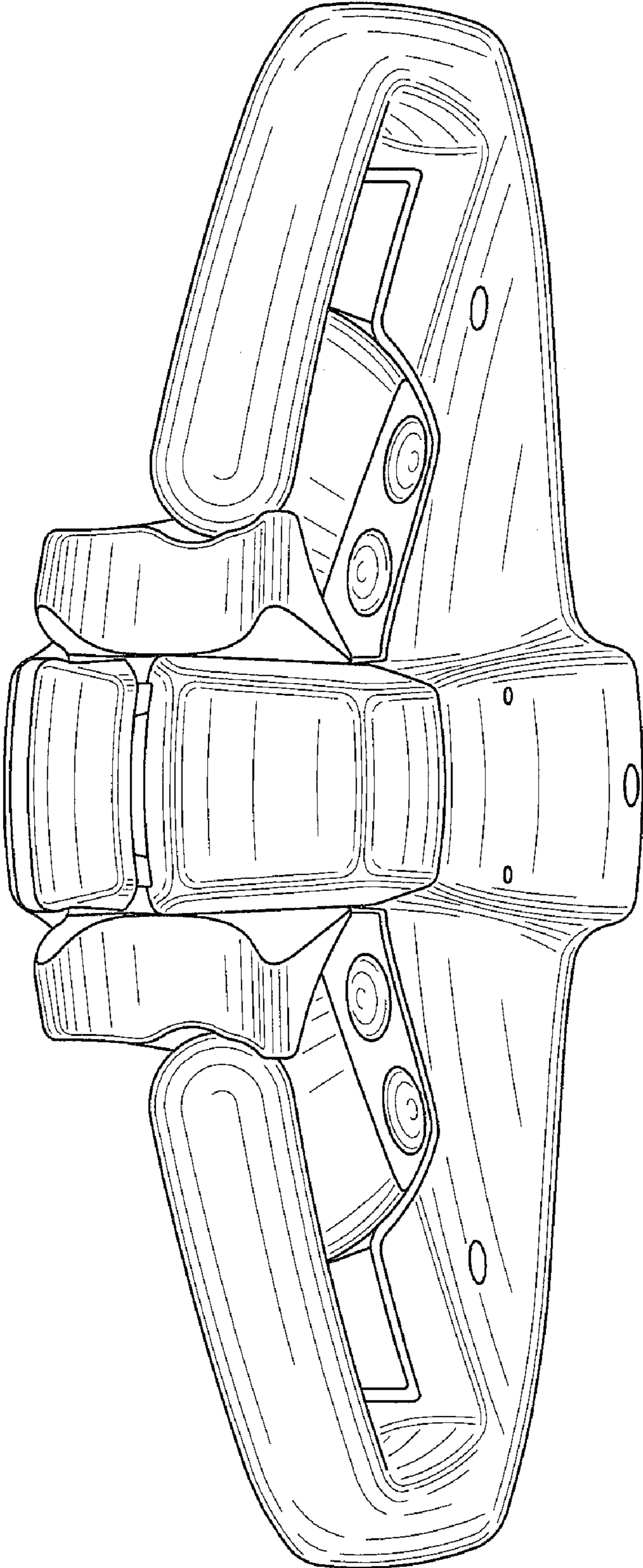


FIG. 2

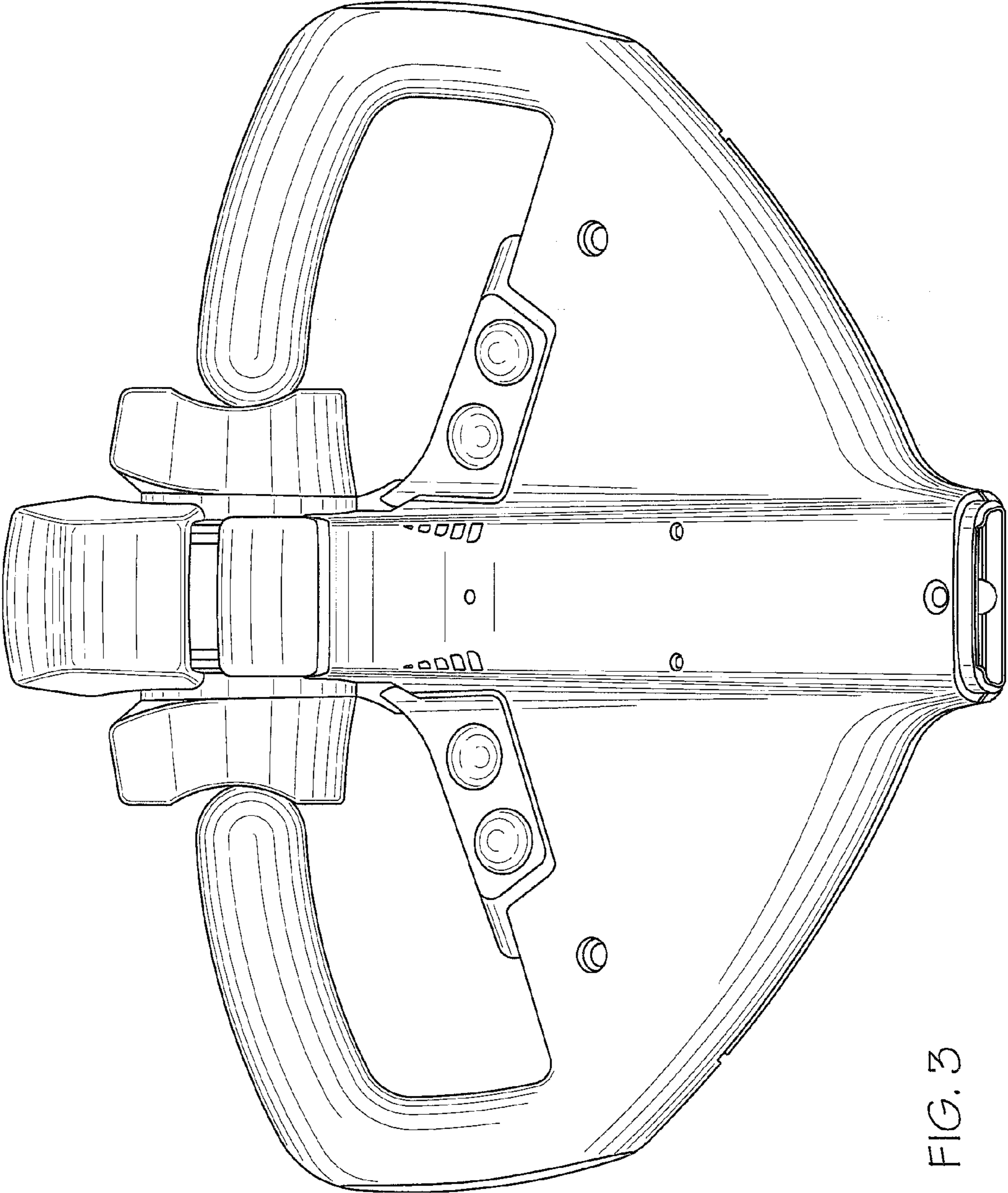


FIG. 3

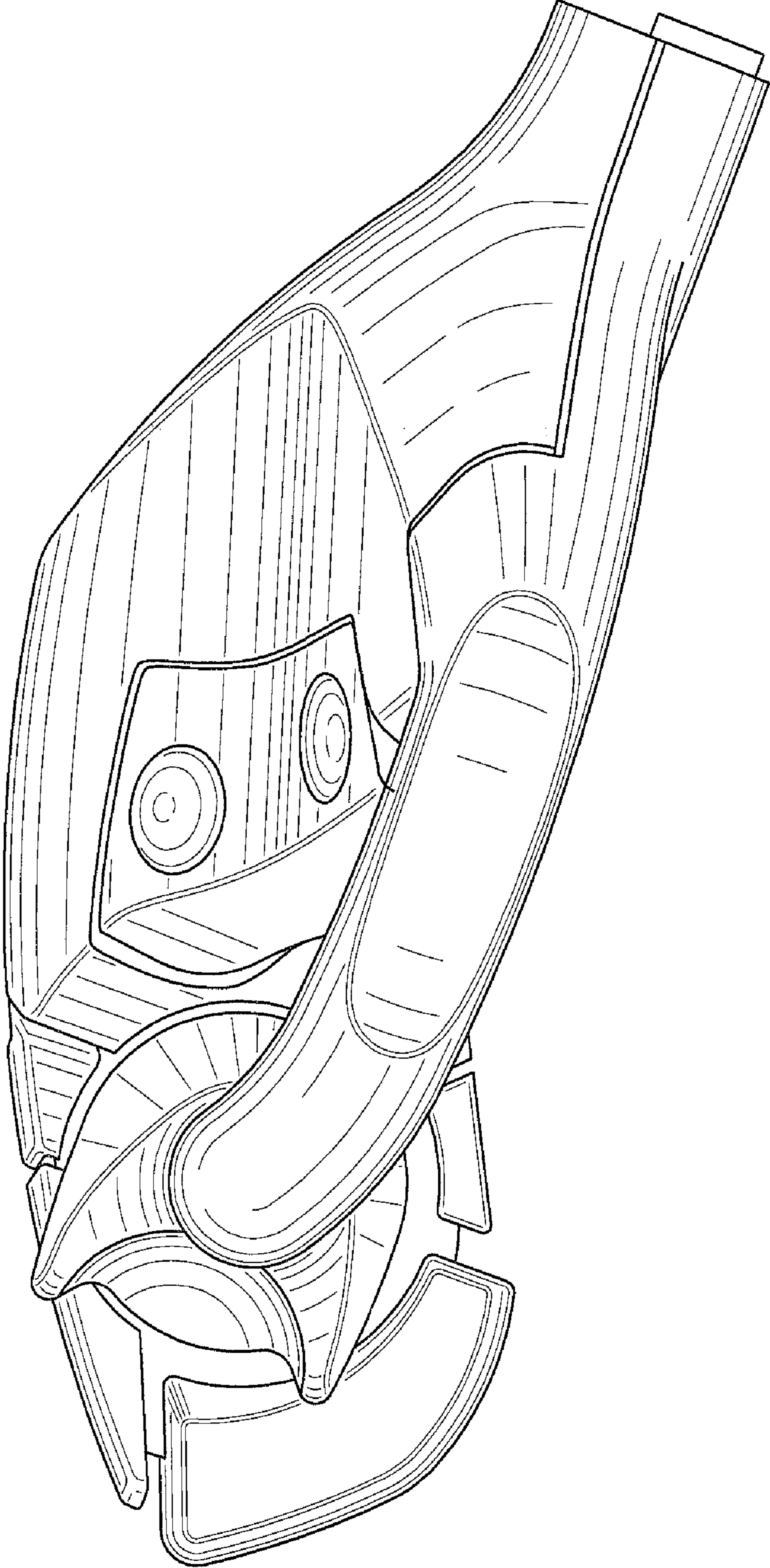


FIG. 4

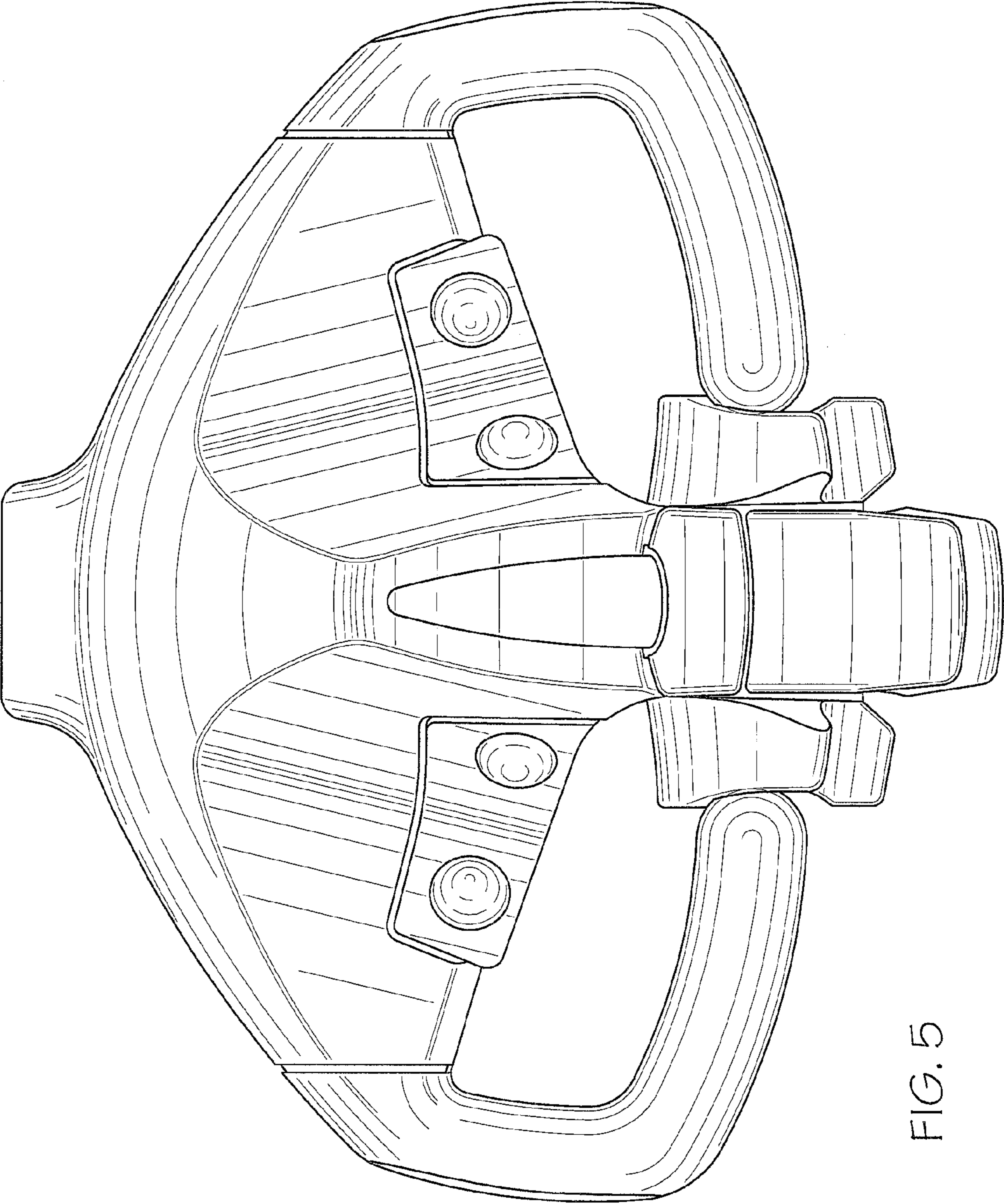


FIG. 5

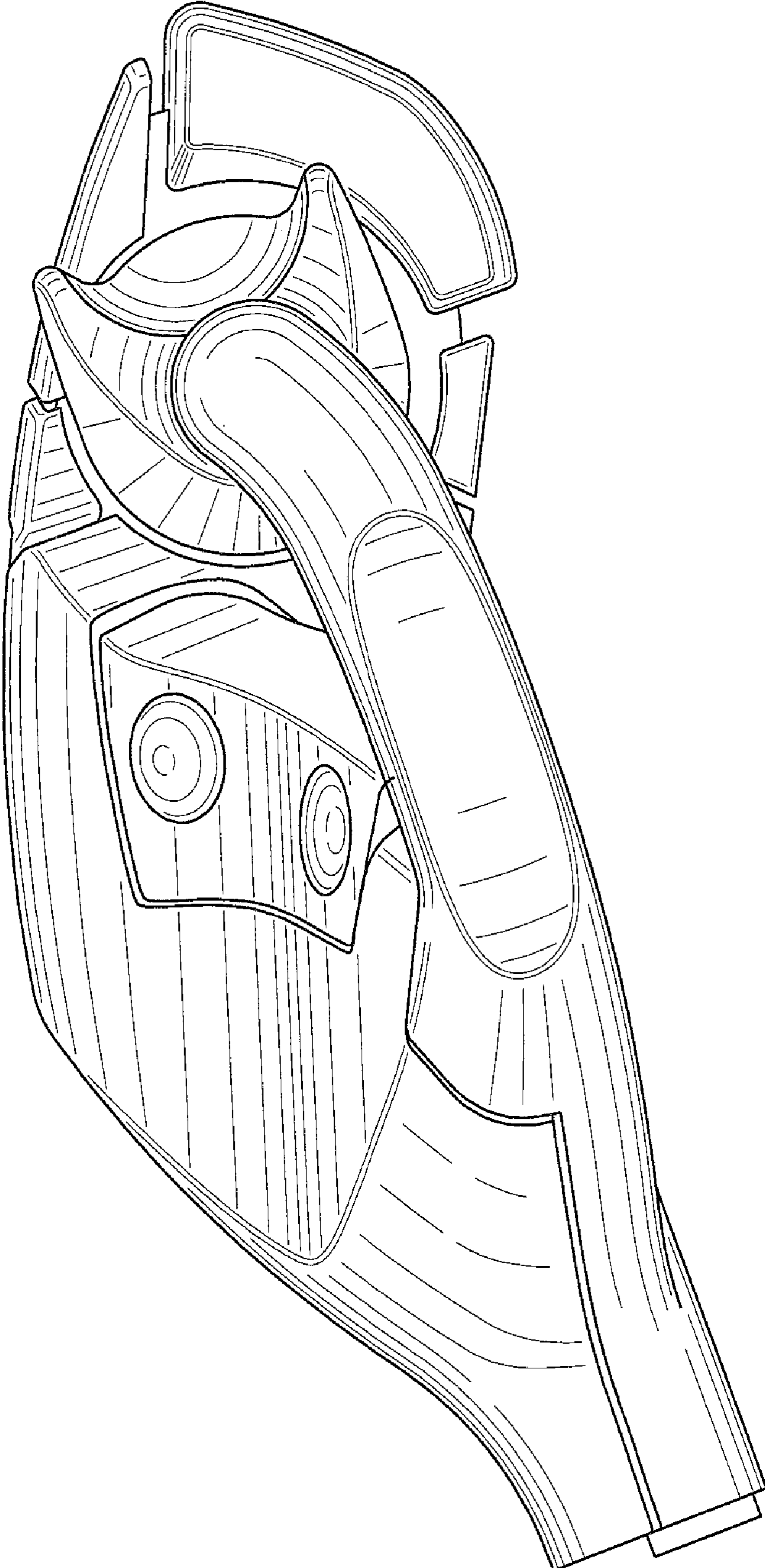


FIG. 6

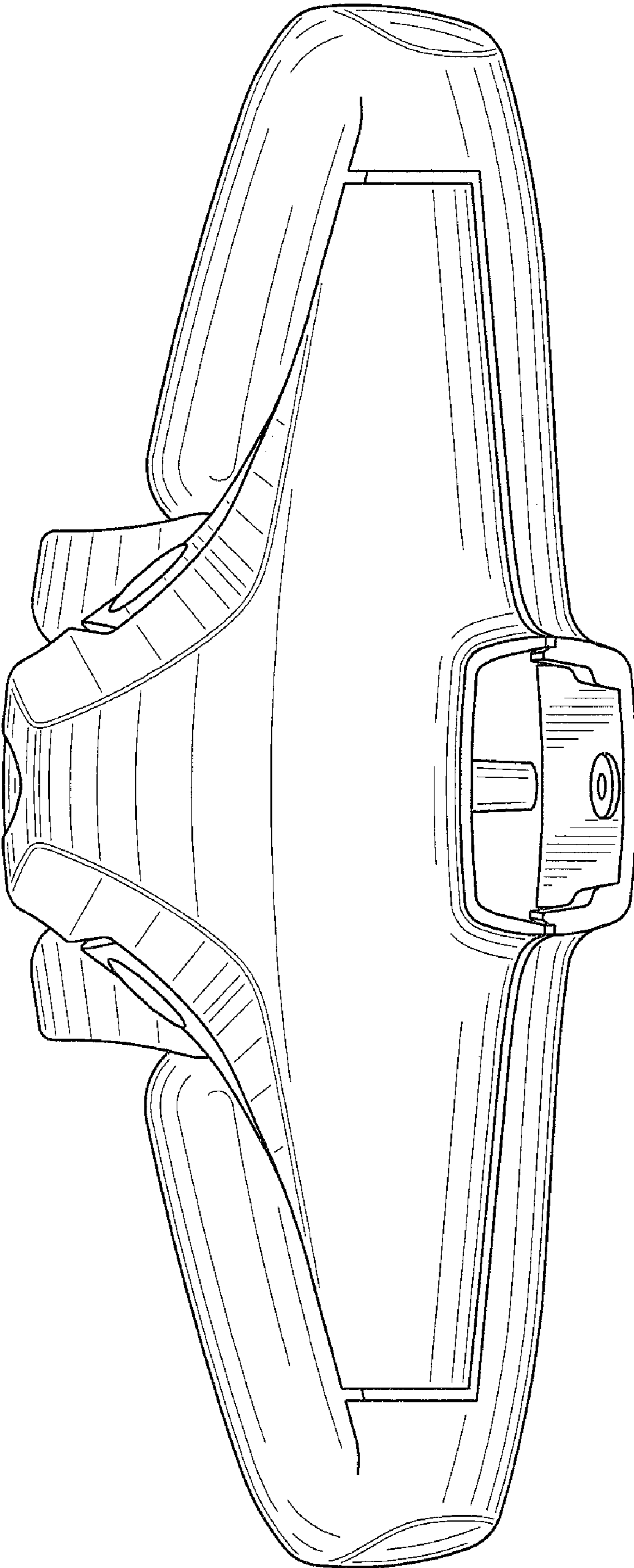


FIG. 7



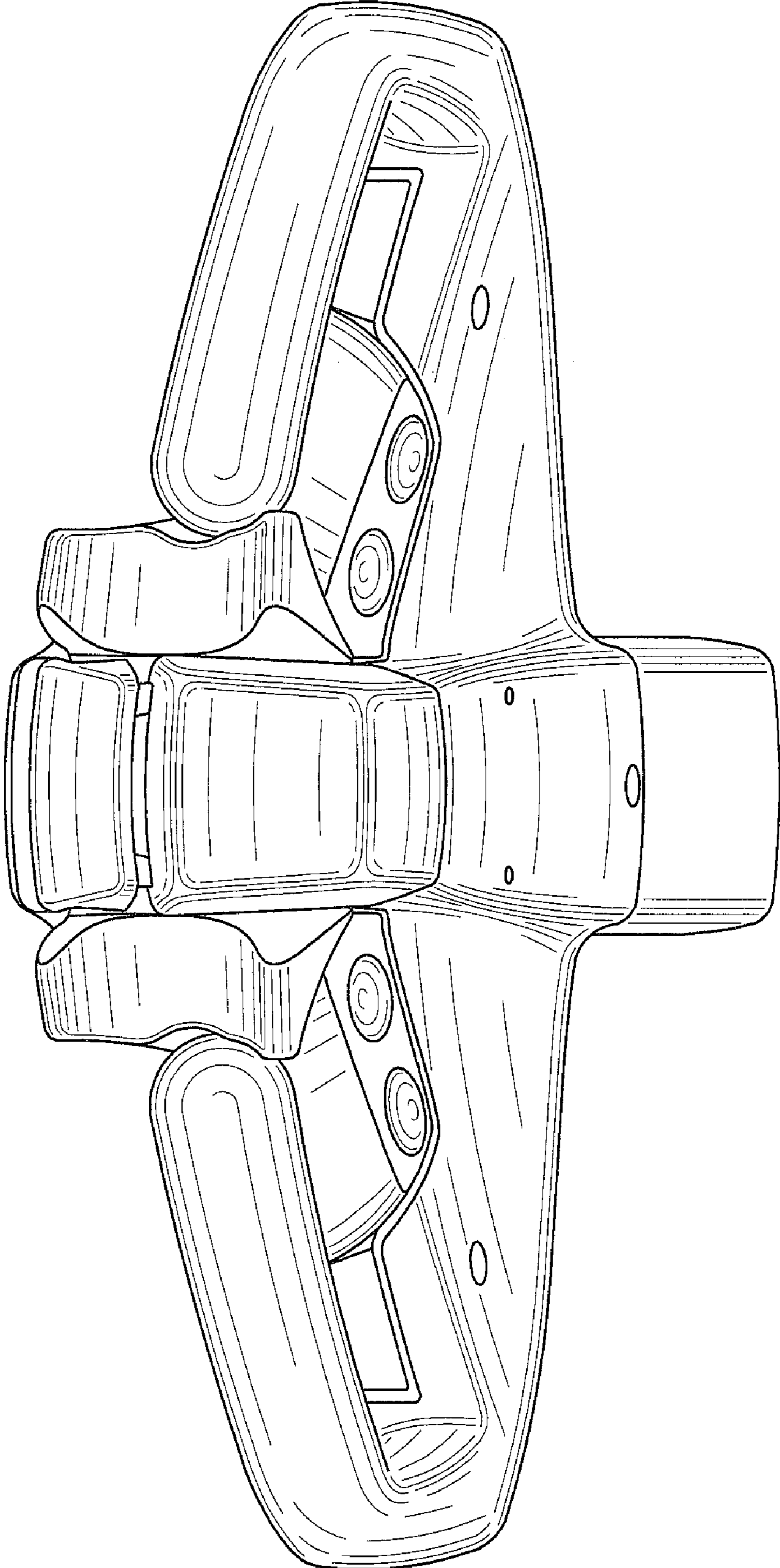


FIG. 8