



US00D593271S

(12) **United States Design Patent**
Yang et al.

(10) **Patent No.:** **US D593,271 S**
(45) **Date of Patent:** **** May 26, 2009**

(54) **TRASH CAN**

(75) Inventors: **Frank Yang**, Rancho Palos Verdes, CA (US); **Tzu-Hao Wei**, Hacienda Heights, CA (US); **William Hsu**, Diamond Bar, CA (US)

(73) Assignee: **Simplehuman LLC**, Torrance, CA (US)

(**) Term: **14 Years**

(21) Appl. No.: **29/301,775**

(22) Filed: **Mar. 14, 2008**

Related U.S. Application Data

(63) Continuation-in-part of application No. 29/293,145, filed on Nov. 6, 2006, now Pat. No. Des. 574,569.

(51) **LOC (9) Cl.** **09-09**

(52) **U.S. Cl.** **D34/9**

(58) **Field of Classification Search** D34/1-11;
220/908-913, 262-264

See application file for complete search history.

(56) **References Cited**

U.S. PATENT DOCUMENTS

D261,720 S	11/1981	Brazis
4,785,964 A	11/1988	Miller et al.
D319,915 S	9/1991	Cook
D322,350 S	12/1991	Craft et al.

D381,784 S	7/1997	Keller et al.	
D431,700 S	10/2000	Roudebush	
D483,919 S *	12/2003	Lin	D34/7
D540,001 S	4/2007	Zimmerman	
D552,321 S *	10/2007	Yang et al.	D34/9
D555,320 S	11/2007	Yang et al.	
D561,969 S *	2/2008	Lin	D34/9
D564,723 S	3/2008	Yang et al.	
D567,468 S *	4/2008	Yang et al.	D34/9
D574,569 S *	8/2008	Yang et al.	D34/9
2005/0230396 A1	10/2005	Yang et al.	

* cited by examiner

Primary Examiner—Cynthia E Ramirez
(74) *Attorney, Agent, or Firm*—Liu & Liu

(57) **CLAIM**

The ornamental design for the trash can, as shown and described.

DESCRIPTION

FIG. 1 is a right perspective view of a trash can showing our new design;

FIG. 2 is a front view thereof;

FIG. 3 is a right side view thereof;

FIG. 4 is a left side view thereof; and,

FIG. 5 is a top plan view thereof.

1 Claim, 5 Drawing Sheets

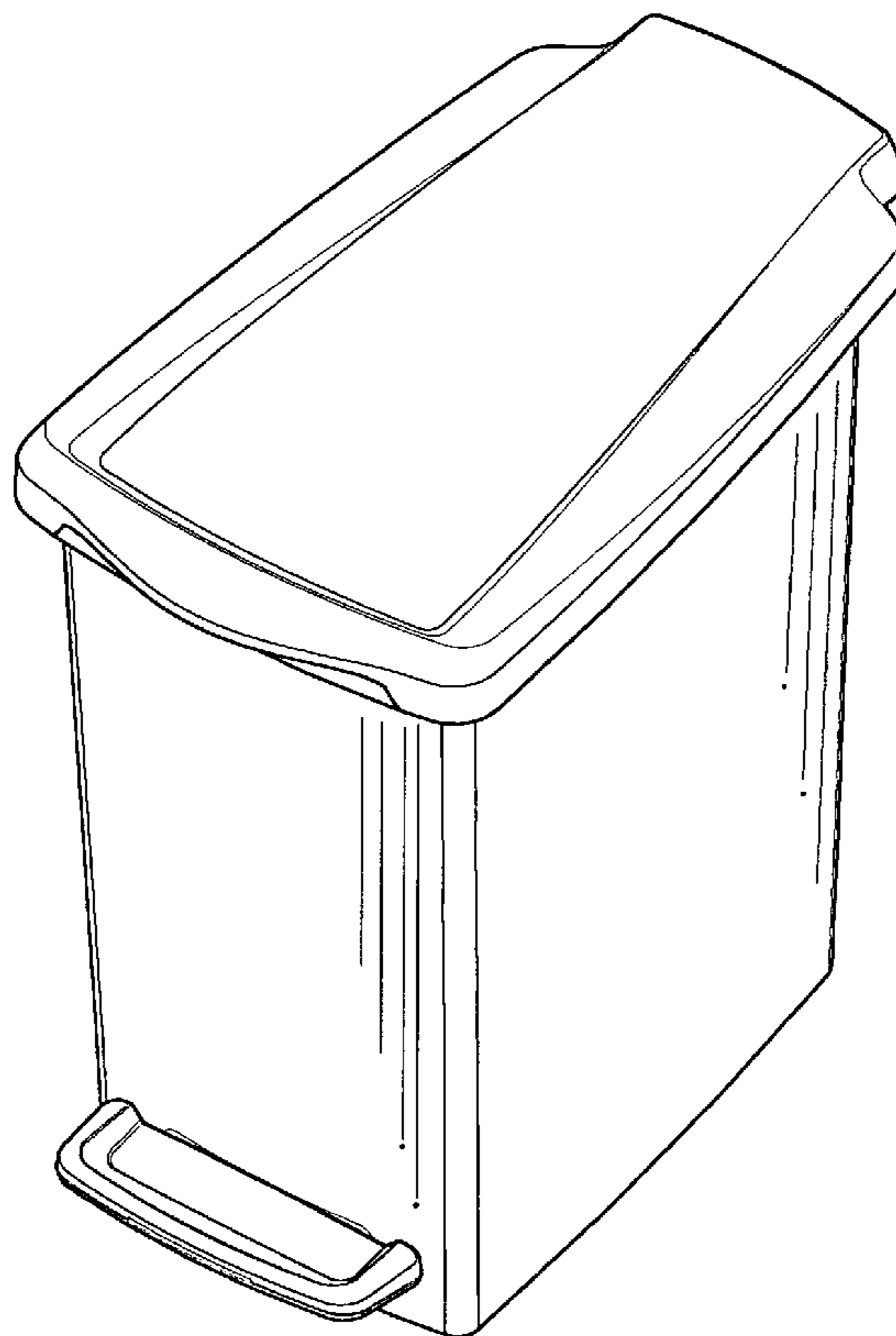


FIG. 1

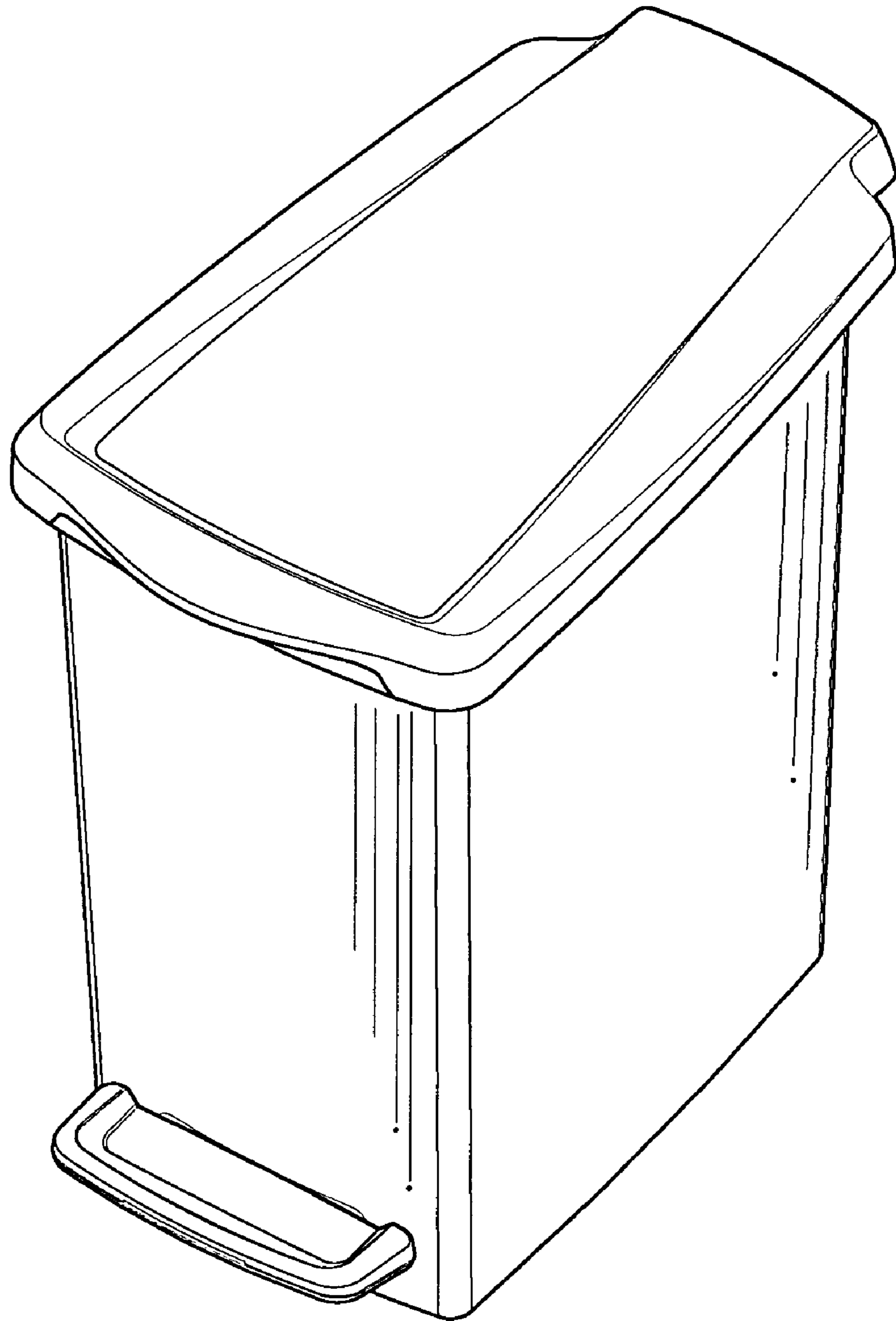


FIG. 2

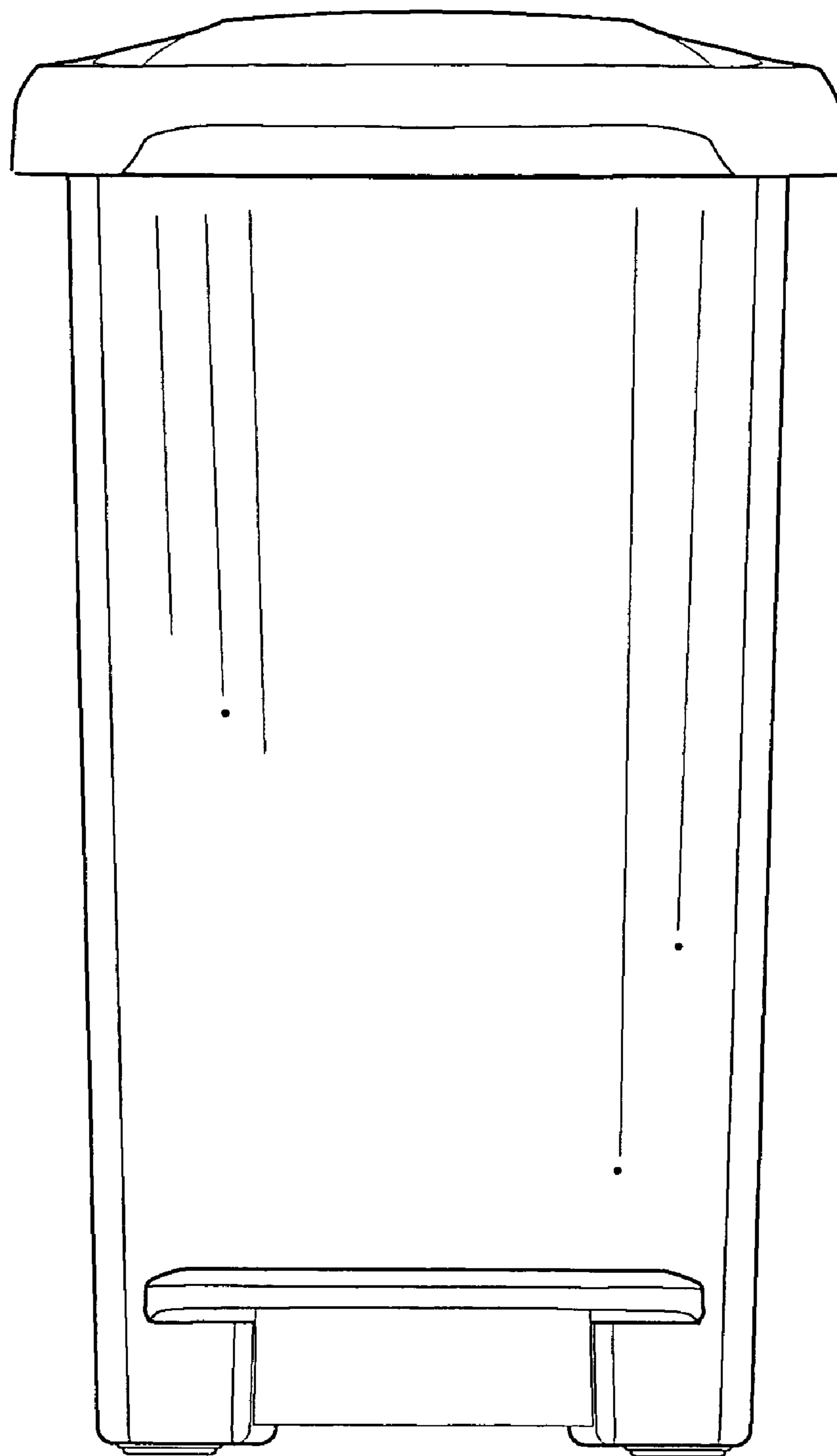


FIG. 3

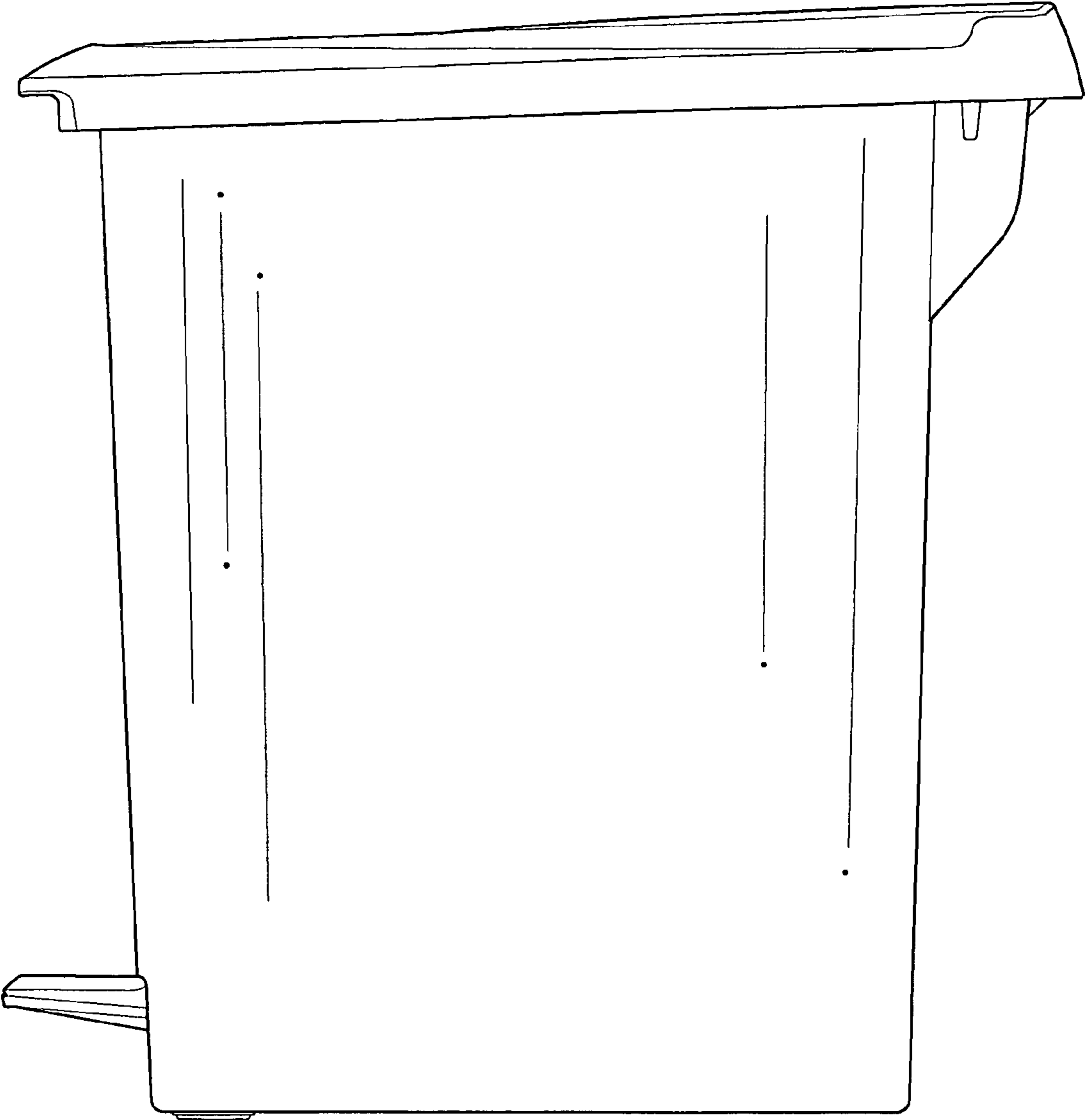


FIG. 4

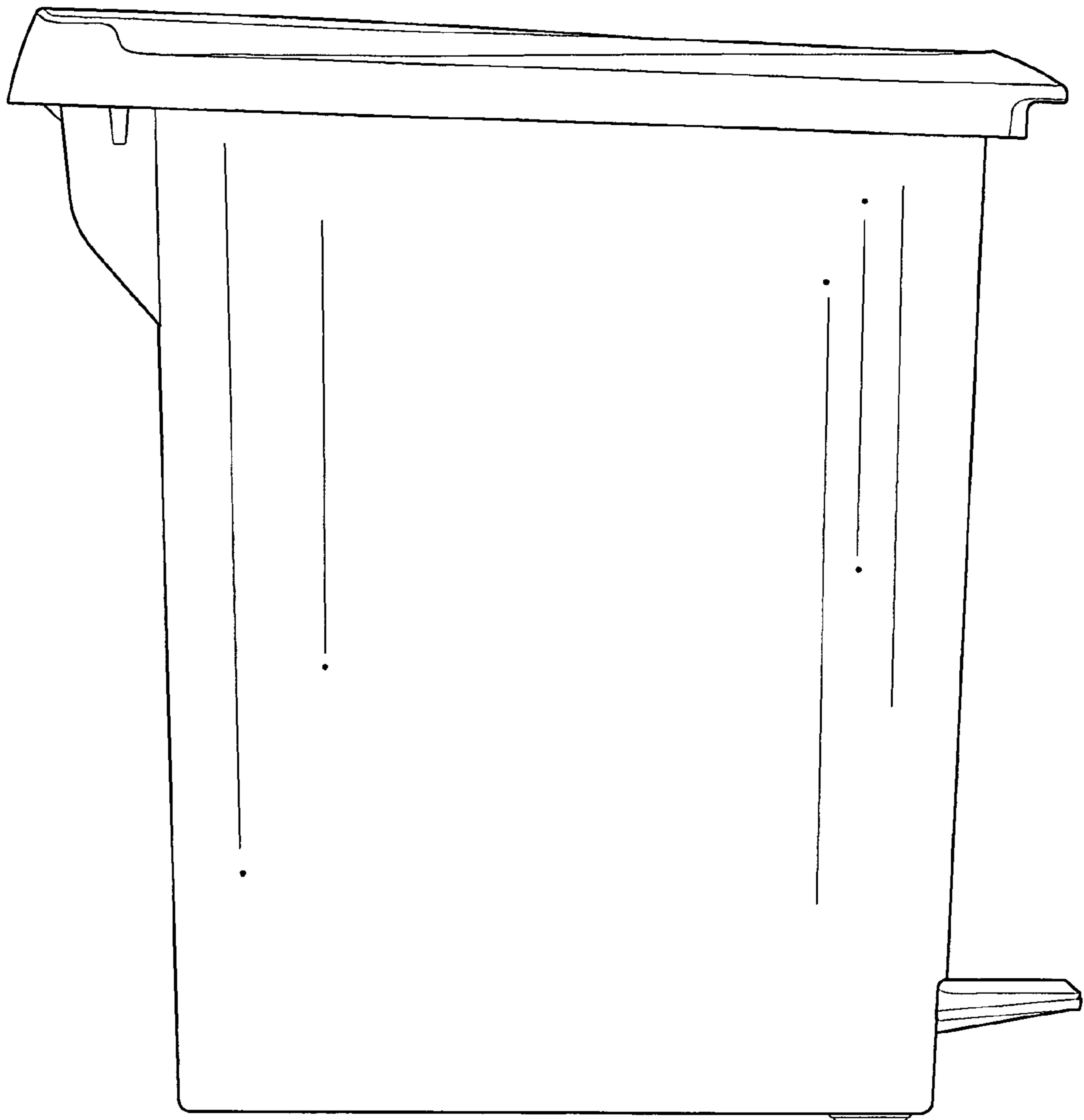


FIG. 5

