



US00D593270S

(12) **United States Design Patent**
Taylor

(10) **Patent No.:** **US D593,270 S**

(45) **Date of Patent:** **** May 26, 2009**

(54) **BUCKET STABILIZER FOR CYLINDRICAL SURFACE**

D560,047 S * 1/2008 Kershaw D32/54
D564,619 S * 3/2008 Cogswell et al. D23/206

(76) Inventor: **Thomas P. Taylor**, 9295 Mooring Cir.,
Fort Myers, FL (US) 33967

* cited by examiner

Primary Examiner—Robin V Webster

(**) Term: **14 Years**

(57) **CLAIM**

(21) Appl. No.: **29/301,193**

The ornamental design for a bucket stabilizer for cylindrical surface, as shown and described.

(22) Filed: **Feb. 19, 2008**

DESCRIPTION

(51) **LOC (9) Cl.** **07-07**

(52) **U.S. Cl.** **D32/54**

(58) **Field of Classification Search** D32/53,
D32/53.1, 54; D23/206; 248/346.01

FIG. 1 is a perspective view of a bucket stabilizer for cylindrical surface, shown upside down for clarity of illustration; and,

See application file for complete search history.

FIG. 2 is a perspective view thereof, which has been drawn in correct orientation.

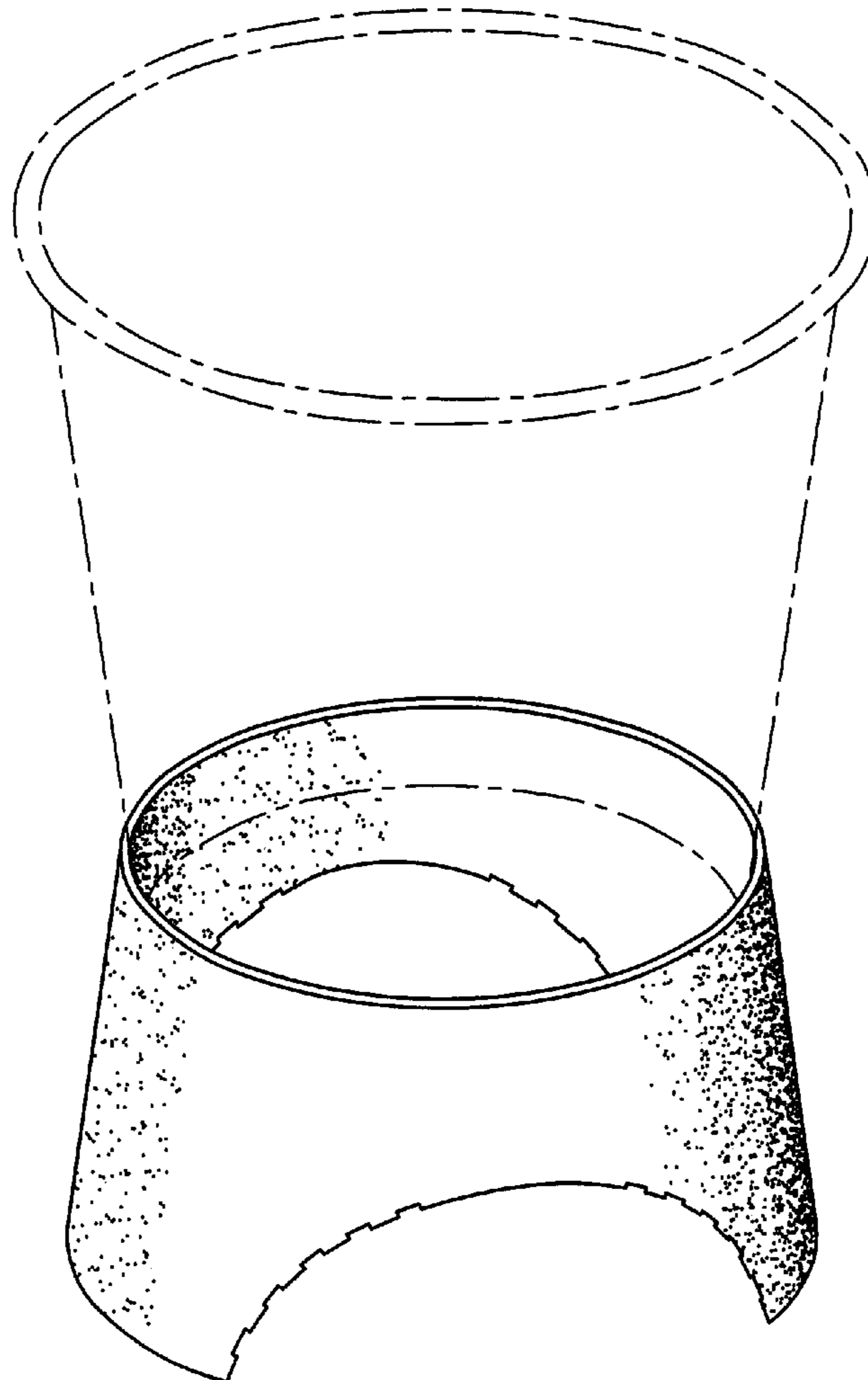
(56) **References Cited**

The broken line showing of a bucket is included for the purpose of illustrating and forms no part of the claimed design.

U.S. PATENT DOCUMENTS

D340,761 S * 10/1993 Long D23/206
D373,865 S * 9/1996 Wells D32/54
D383,271 S * 9/1997 Eshelman D32/54

1 Claim, 1 Drawing Sheet



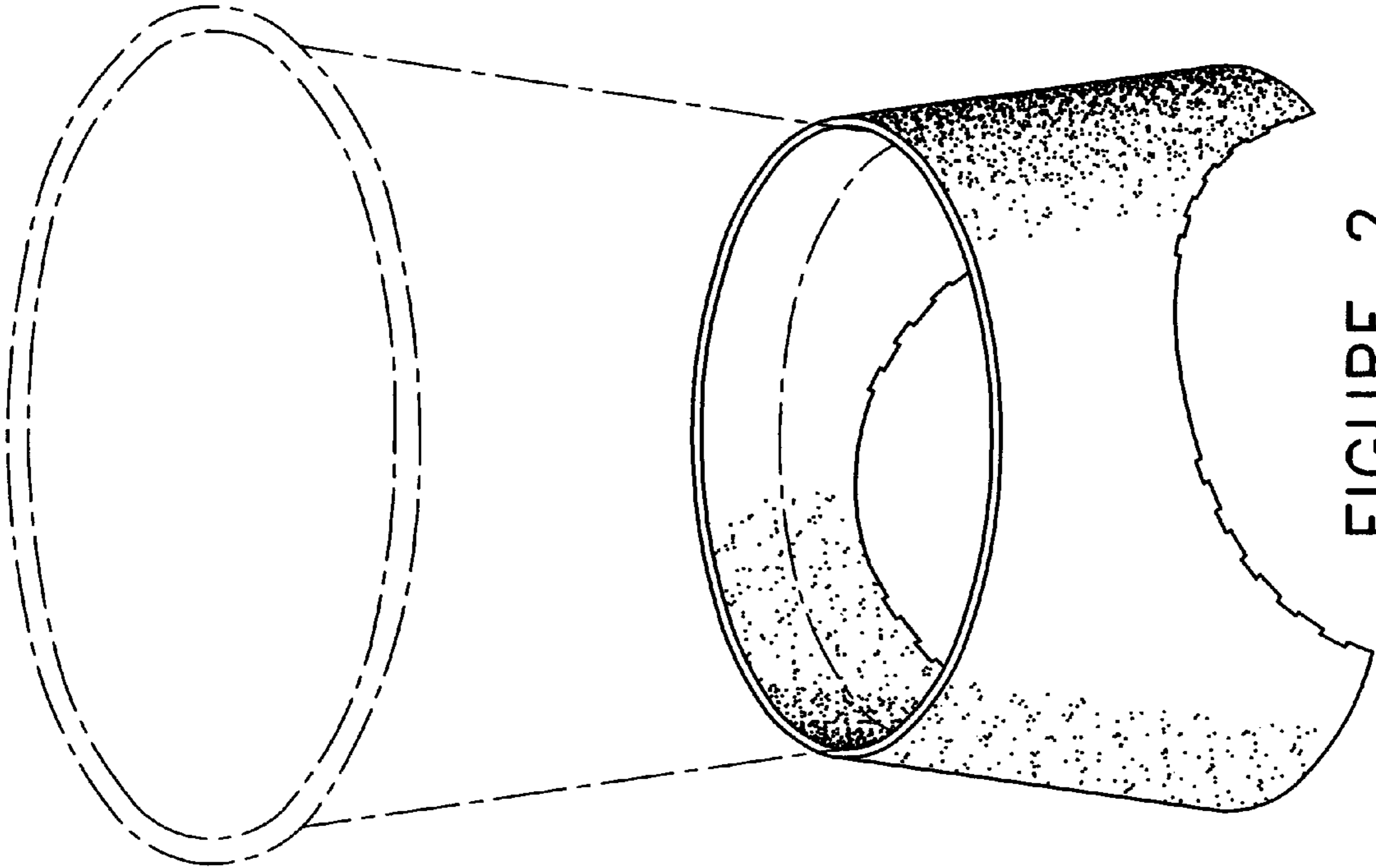


FIGURE 2

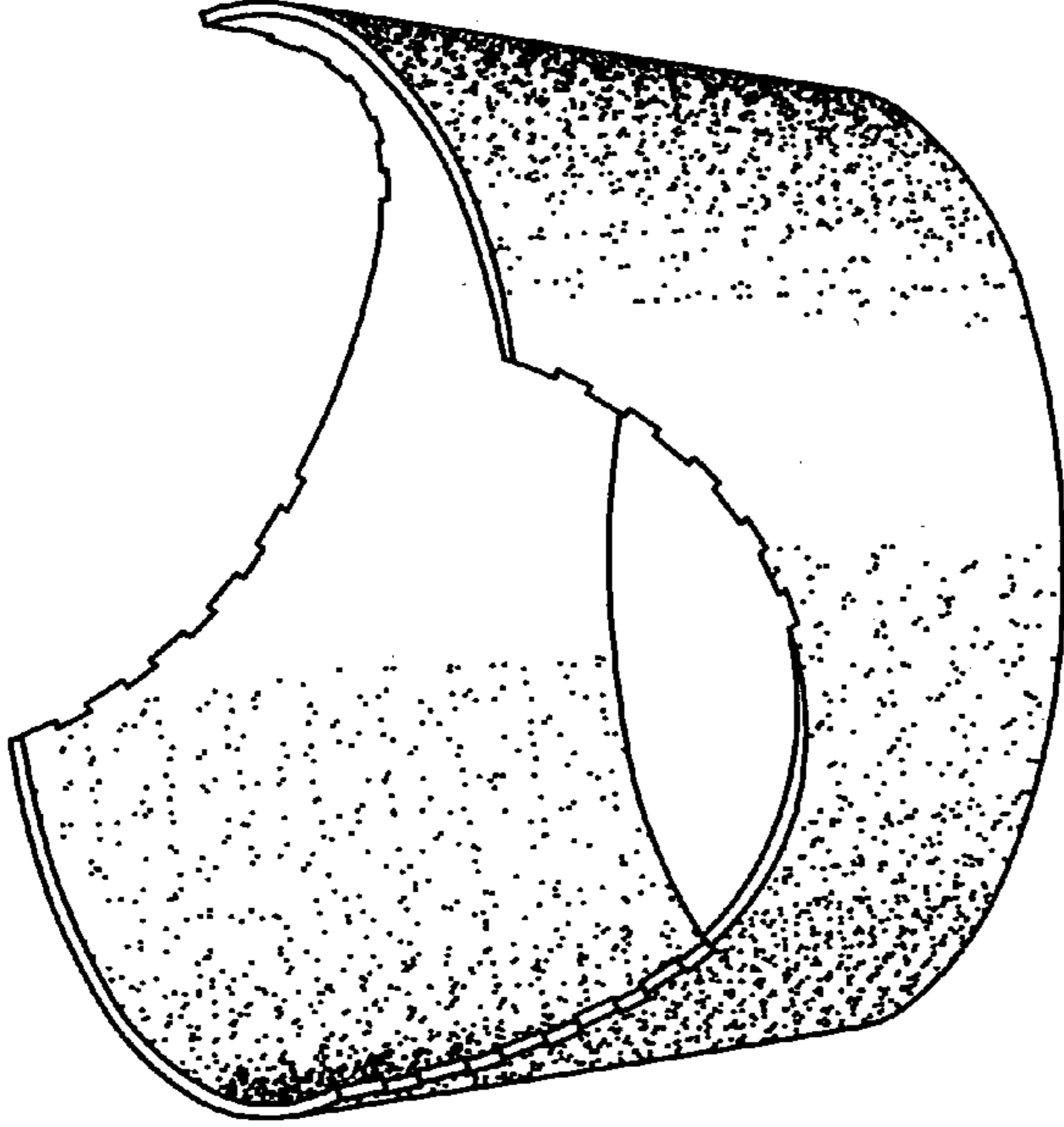


FIGURE 1