

US00D593268S

(12) **United States Design Patent**  
**Weis**

(10) **Patent No.:** **US D593,268 S**

(45) **Date of Patent:** **\*\* May 26, 2009**

(54) **MOP HEAD**

2005/0028309 A1 2/2005 Boyer et al.

(75) Inventor: **Norbert Weis**, Naperville, IL (US)

FOREIGN PATENT DOCUMENTS

(73) Assignee: **Carl Freudenberg KG**, Weinheim (DE)

DE 1954499 U 2/1967  
DE 29713657 U1 11/1997  
DE 20310699 U1 10/2003  
WO WO 2004/054424 A1 7/2004

(\*\*) Term: **14 Years**

(21) Appl. No.: **29/305,157**

OTHER PUBLICATIONS

(22) Filed: **Mar. 14, 2008**

Freudenberg Household Products LP, image of Big Easy® mop, available before Mar. 14, 2008, 1 page.

(30) **Foreign Application Priority Data**

\* cited by examiner

Nov. 28, 2007 (DE) ..... 10 2007 057 602

*Primary Examiner*—Pamela J Burgess

(74) *Attorney, Agent, or Firm*—Leydig, Voit & Mayer, Ltd.

(51) **LOC (9) Cl.** ..... **08-05**

(52) **U.S. Cl.** ..... **D32/49**

(58) **Field of Classification Search** ..... D32/49–52,  
D32/46–48; 401/15, 291, 278–279, 270–277,  
401/137–140, 37; 40/138–140

See application file for complete search history.

(57) **CLAIM**

The ornamental design for a mop head, as shown and described.

(56) **References Cited**

**DESCRIPTION**

U.S. PATENT DOCUMENTS

1,655,585 A \* 1/1928 Wagner ..... 401/15  
2,730,738 A \* 1/1956 Humes ..... 15/24  
D323,727 S \* 2/1992 Re ..... D32/51  
D328,807 S \* 8/1992 Millar ..... D32/41  
5,271,682 A \* 12/1993 Realdon ..... 401/37  
D386,851 S \* 11/1997 Levine ..... D32/40  
D477,301 S \* 7/2003 Hollinger ..... D14/168  
6,612,768 B2 \* 9/2003 Zorzo ..... 401/138  
6,644,877 B1 \* 11/2003 Chen ..... 401/140  
6,647,983 B2 \* 11/2003 Smith et al. .... 128/205.24  
6,785,928 B2 9/2004 Specht et al.  
6,854,149 B1 2/2005 Specht et al.  
6,953,299 B2 \* 10/2005 Wang et al. .... 401/279  
6,976,282 B2 12/2005 Sie  
7,257,853 B2 8/2007 Boyer et al.

FIG. 1 is a perspective view taken from the top, front, and left side of a mop head showing my new design;

FIG. 2 is a top plan view of the mop head shown in FIG. 1;

FIG. 3 is a front elevational view of the mop head shown in FIG. 1;

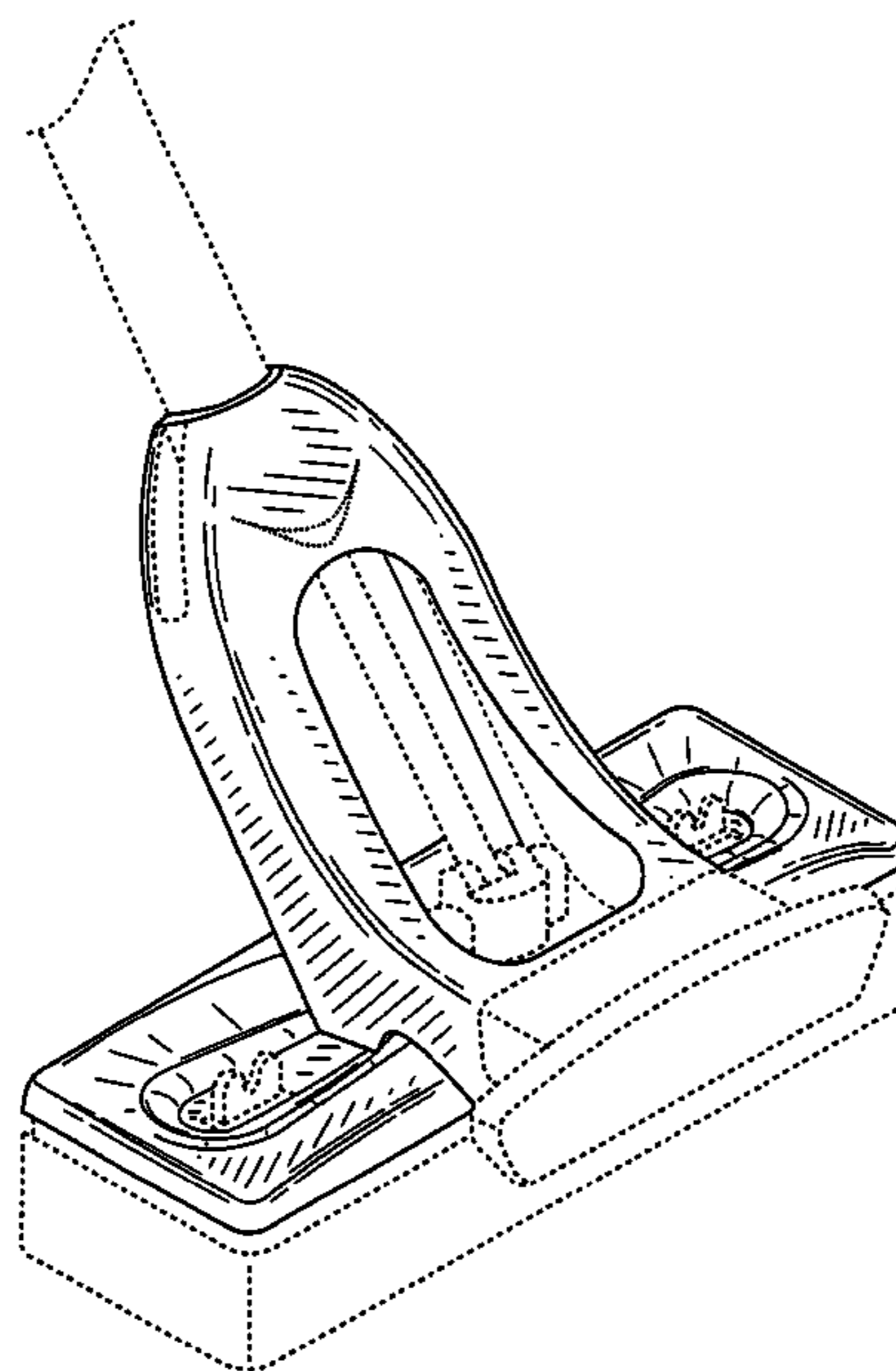
FIG. 4 is a rear elevational view of the mop head shown in FIG. 1;

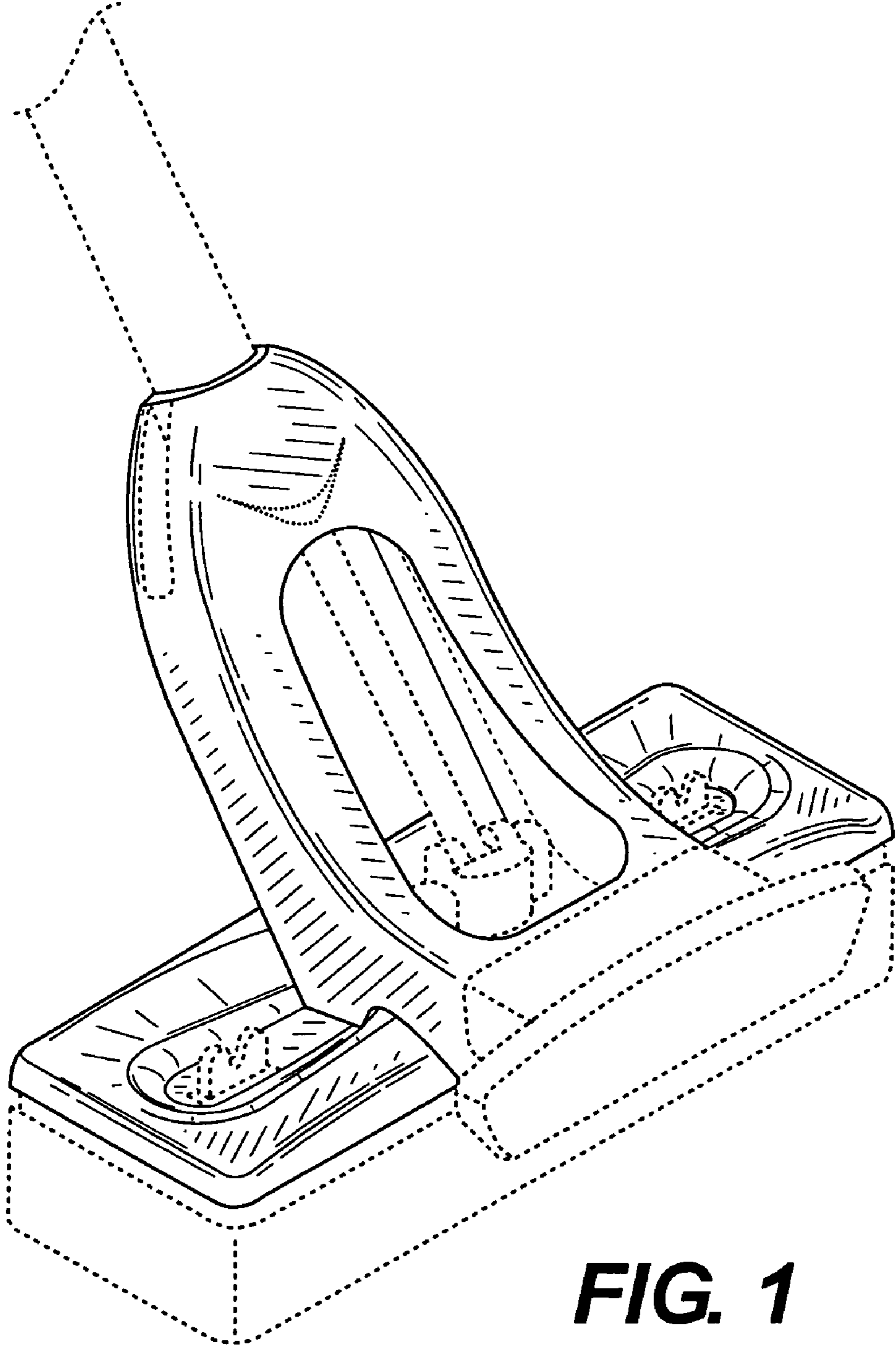
FIG. 5 is a left elevational side view of the mop head shown in FIG. 1; and,

FIG. 6 is a right elevational side view of the mop head shown in FIG. 1.

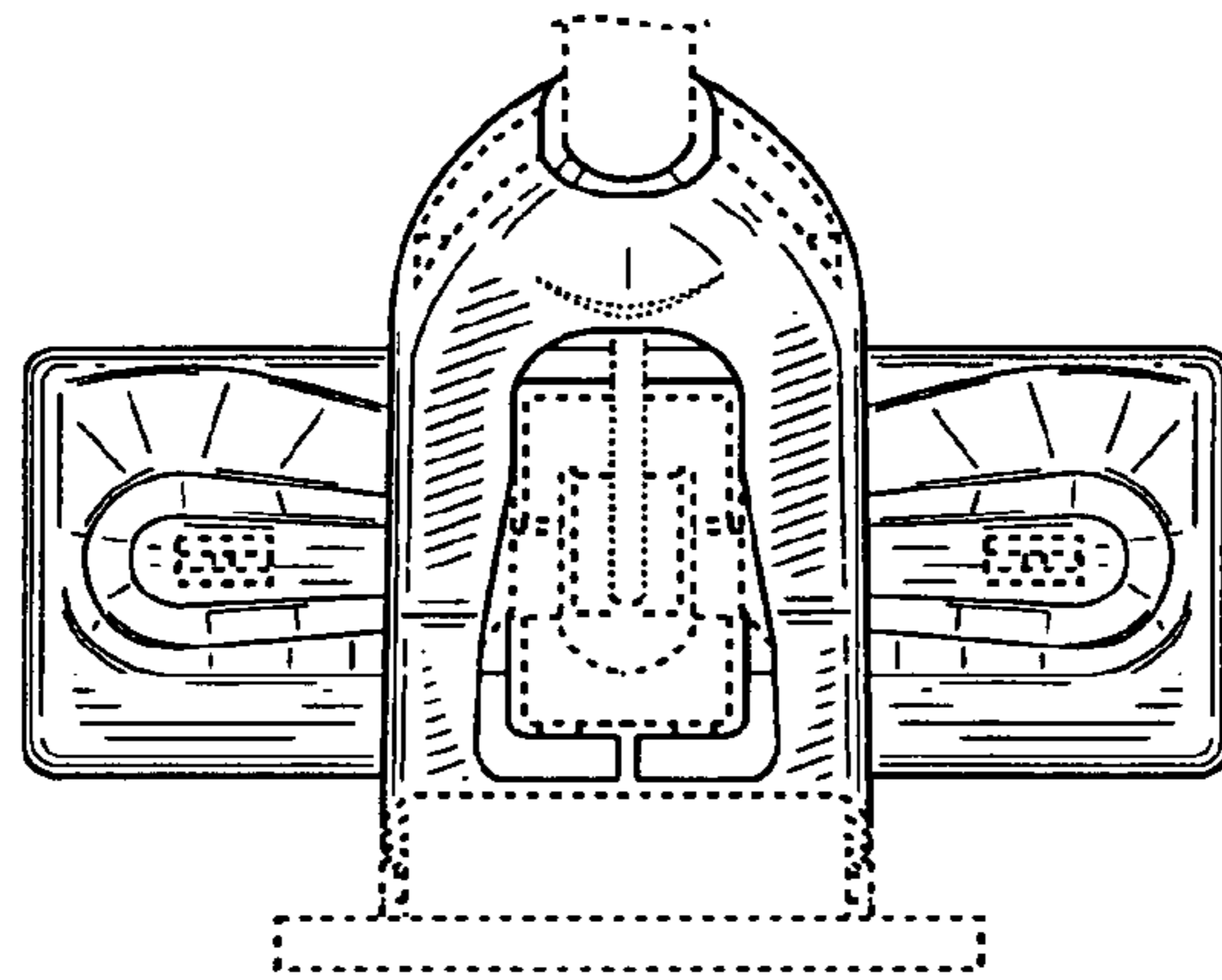
The broken lines are for illustration purposes only and form no part of the claimed design.

**1 Claim, 3 Drawing Sheets**

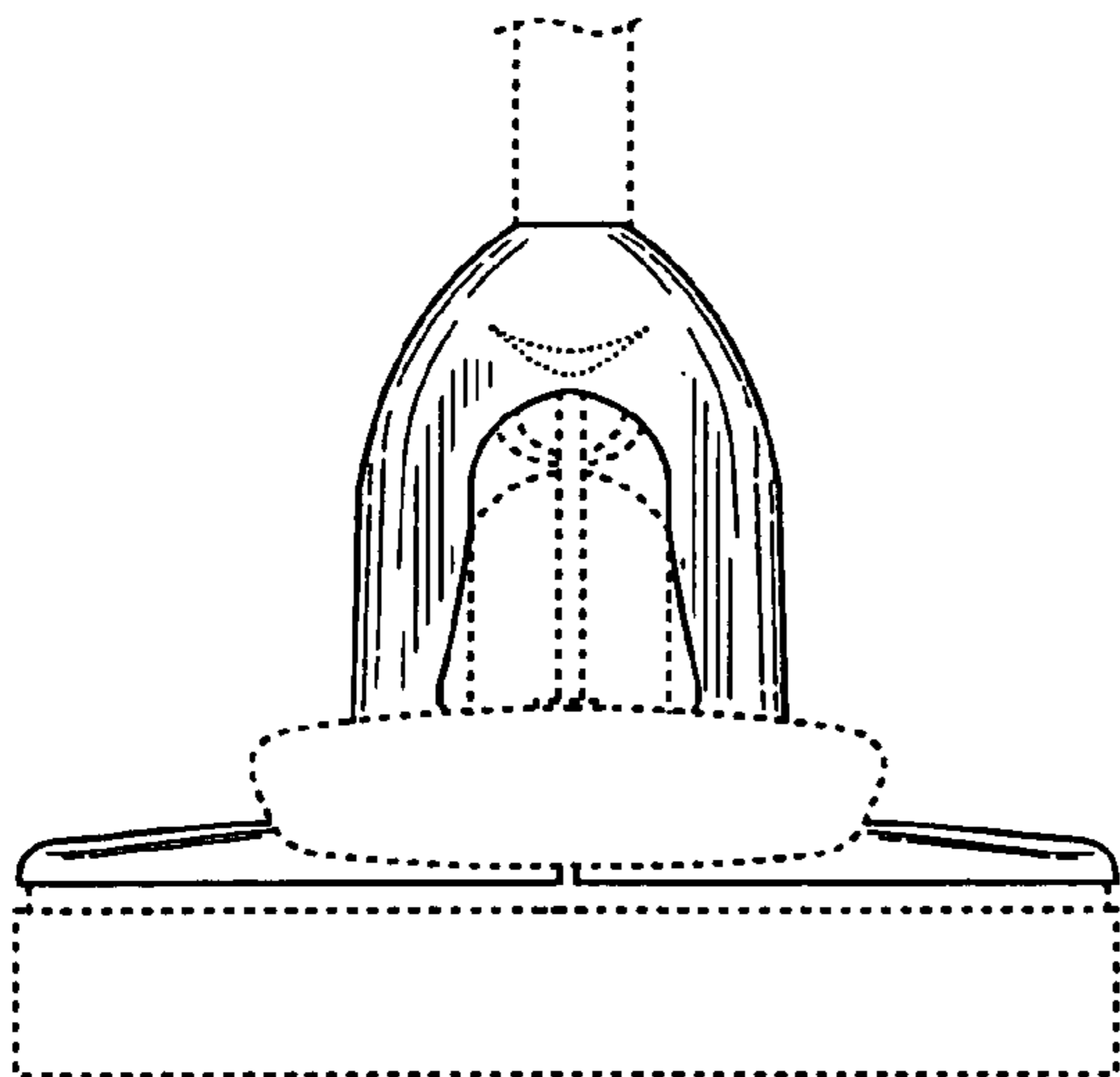




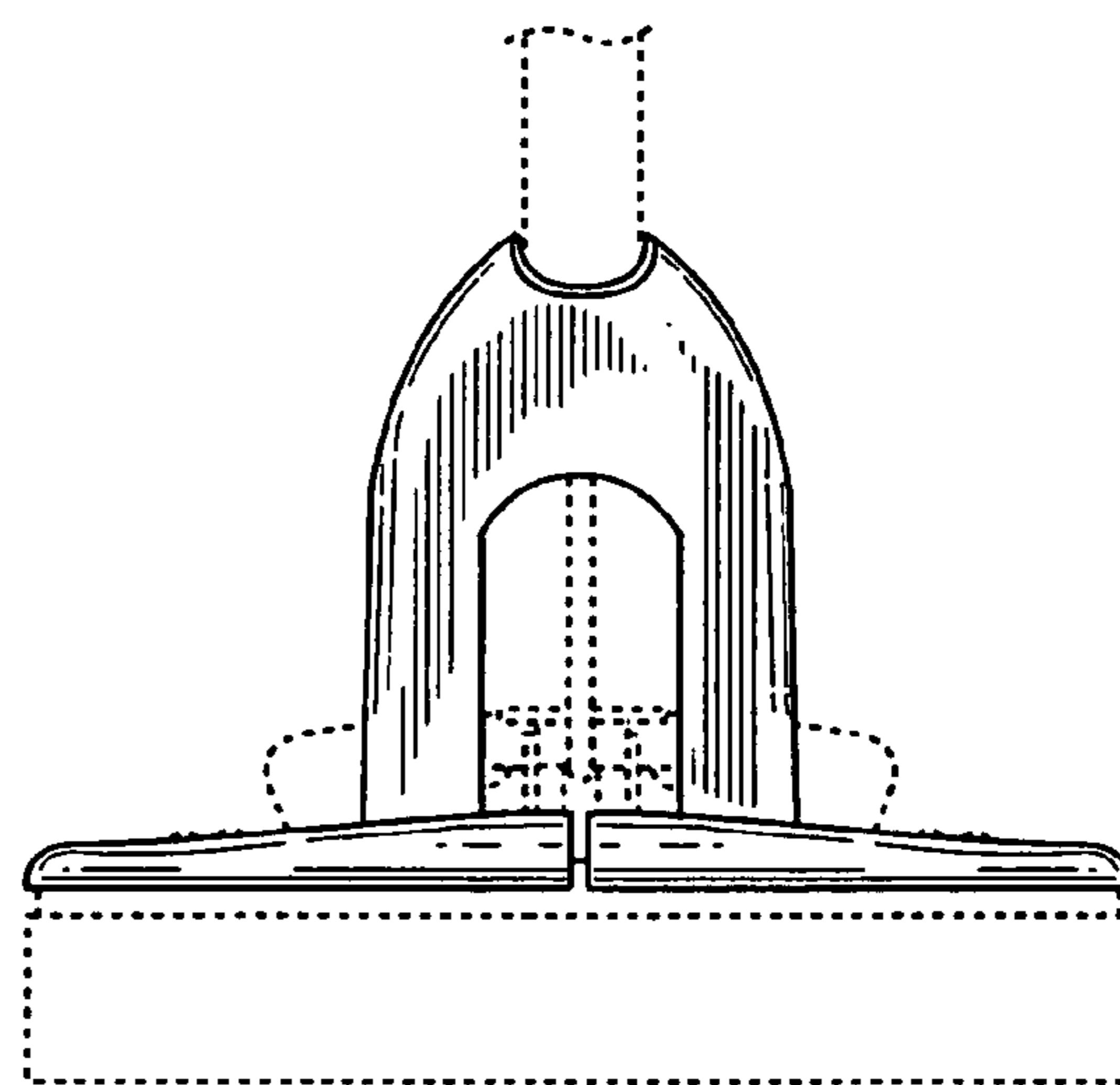
**FIG. 1**



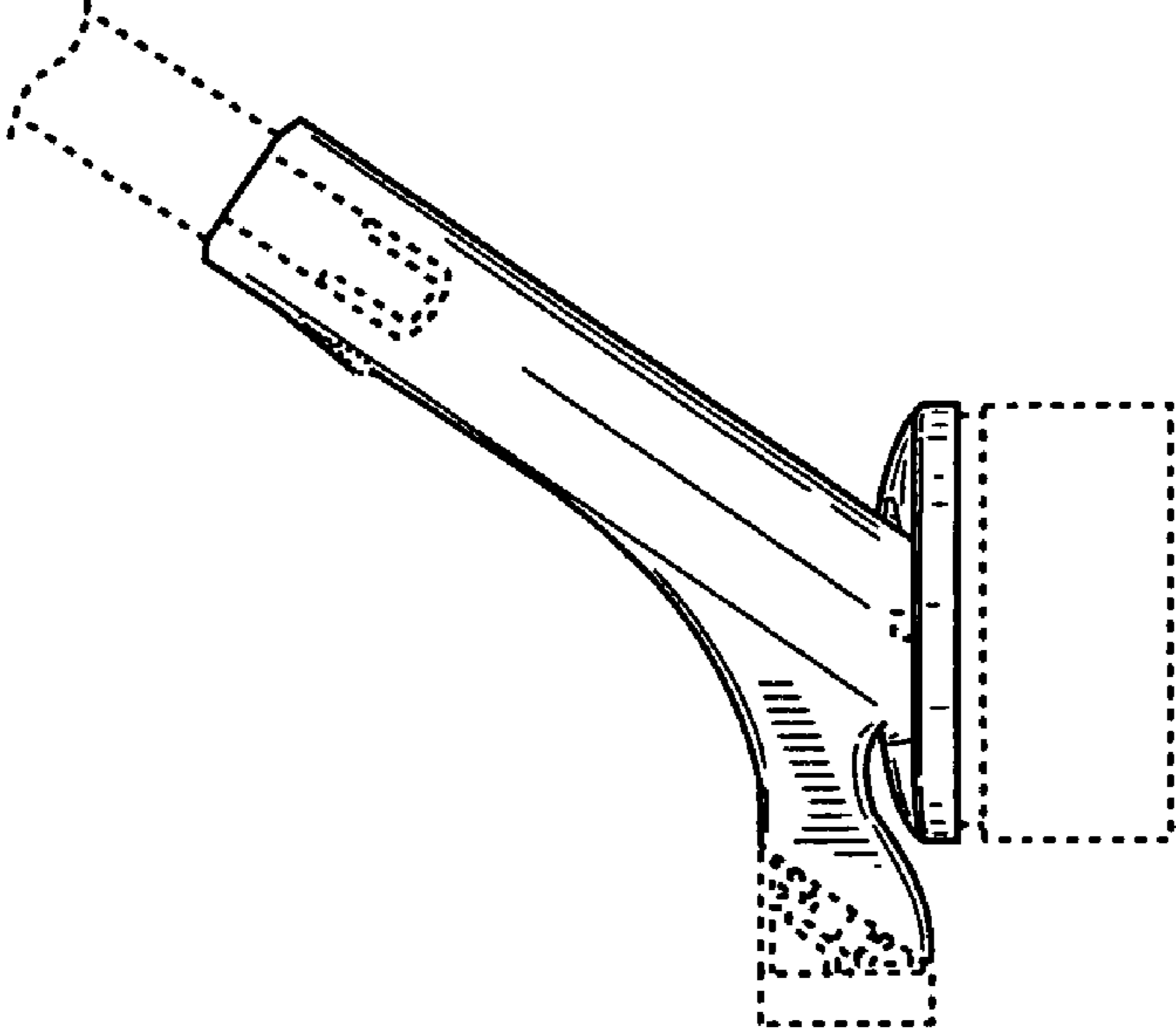
**FIG. 2**



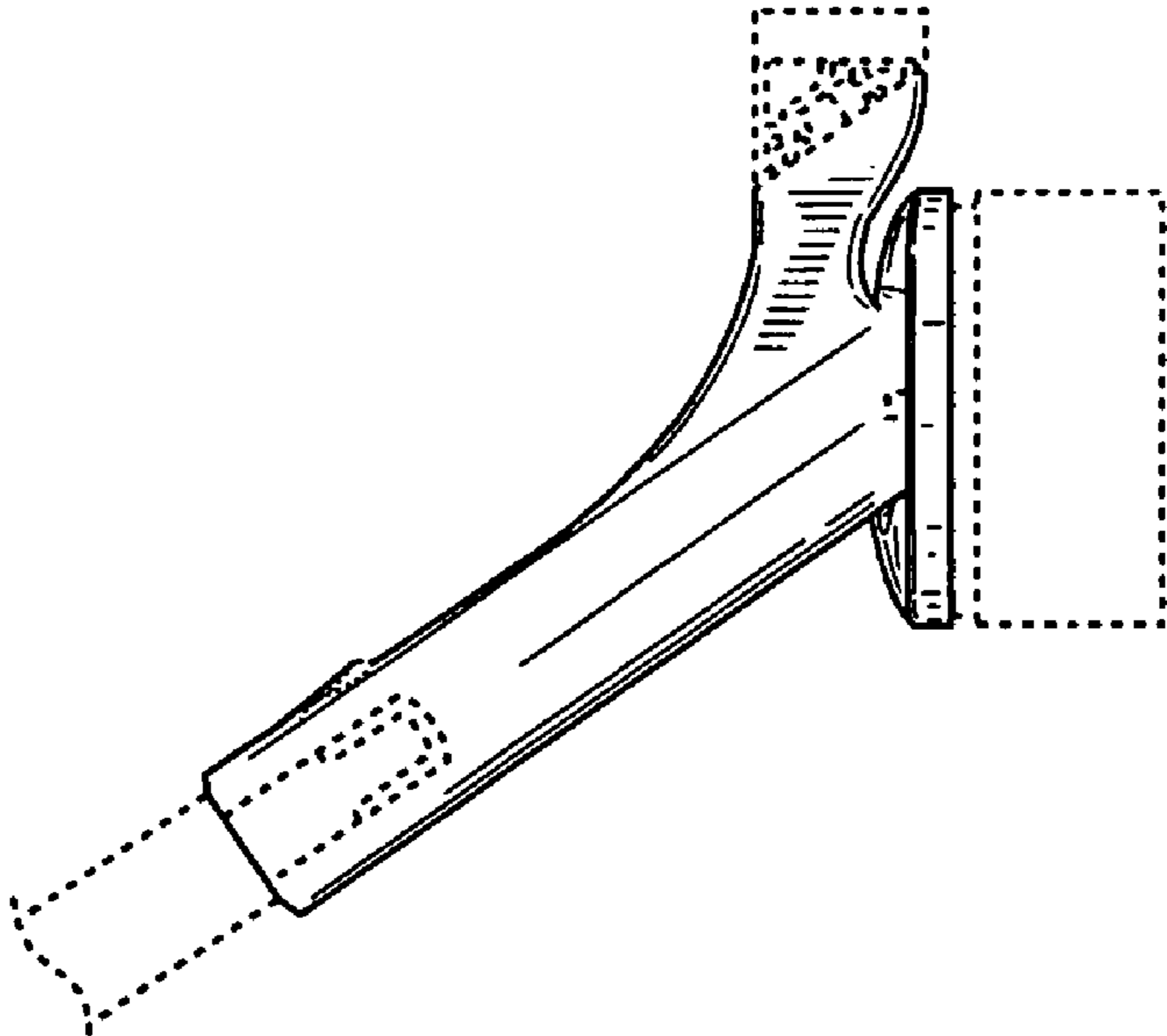
**FIG. 3**



**FIG. 4**



**FIG. 5**



**FIG. 6**