



US00D593266S

(12) **United States Design Patent**
Baek

(10) **Patent No.:** **US D593,266 S**

(45) **Date of Patent:** **** May 26, 2009**

(54) **BRUSH HEAD FOR CLEANER**

D553,314 S * 10/2007 Parr et al. D32/32
D587,870 S * 3/2009 Baek et al. D32/22

(75) Inventor: **Byung Kook Baek**, Kyungki-do (KR)

* cited by examiner

(73) Assignee: **Samsung Electronics Co., Ltd.**, Suwon (KR)

Primary Examiner—Ruth McInroy

(74) *Attorney, Agent, or Firm*—Ladas and Parry LLP

(**) Term: **14 Years**

(57) **CLAIM**

(21) Appl. No.: **29/294,636**

I claim the ornamental design for a brush head for cleaner, as shown and described.

(22) Filed: **Jan. 18, 2008**

(51) **LOC (9) Cl.** **15-05**

(52) **U.S. Cl.** **D32/32**

(58) **Field of Classification Search** D32/31–33,
D32/22; 15/354, 364, 366, 379, 383, 398,
15/412, 414, 415.1–422, 422.1, 350–351,
15/362, 321–322, 400

See application file for complete search history.

DESCRIPTION

FIG. 1 is a top, front and right-side perspective view of a brush head for cleaner showing my new design;

FIG. 2 is a front elevational view thereof;

FIG. 3 is a rear elevational view thereof;

FIG. 4 is a left-side elevational view thereof;

FIG. 5 is a right-side elevational view thereof;

FIG. 6 is a top plan view thereof;

FIG. 7 is a bottom plan view thereof; and,

FIG. 8 is a perspective view thereof showing the brush head connected to the stick portion of the cleaner.

The broken lines showing the stick of cleaner in FIG. 8 are for illustrative purpose only and form no part of the claimed design.

(56) **References Cited**

U.S. PATENT DOCUMENTS

D418,953 S *	1/2000	Farone et al.	D32/31
D463,080 S *	9/2002	Farone et al.	D32/32
D475,823 S *	6/2003	Medema et al.	D32/32
D487,602 S *	3/2004	Roberts et al.	D32/32
D506,047 S *	6/2005	Alford et al.	D32/32
D506,586 S *	6/2005	Carr et al.	D32/32
D508,153 S *	8/2005	Alford et al.	D32/32
D541,498 S *	4/2007	Moine et al.	D32/32

1 Claim, 6 Drawing Sheets

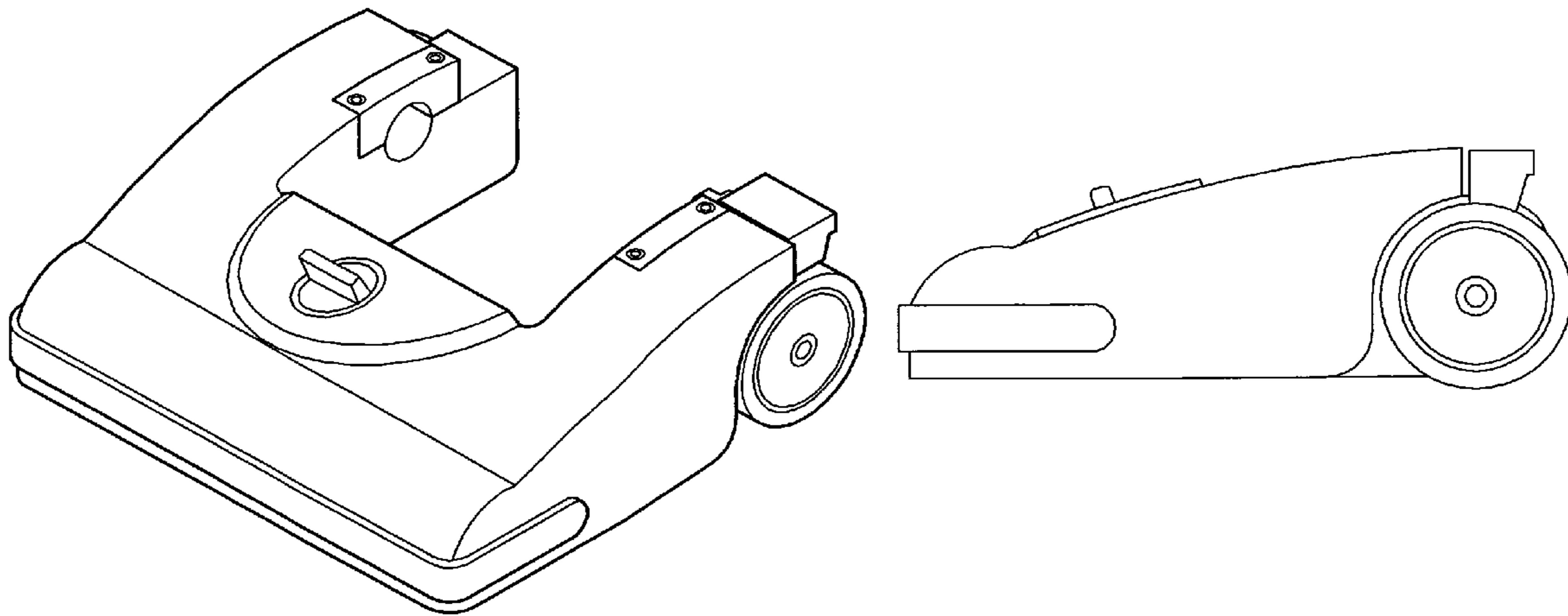


FIG. 1

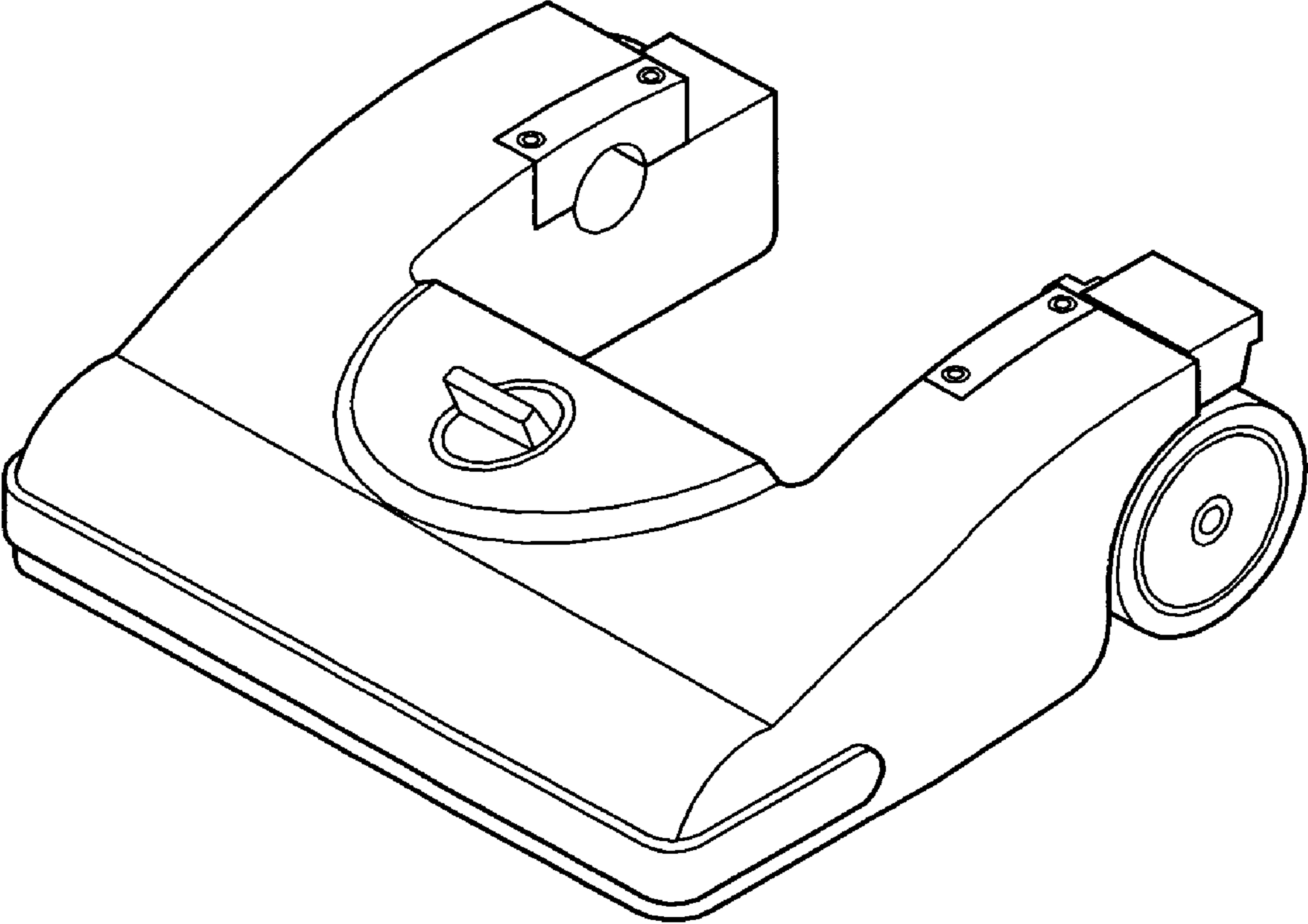


FIG. 2

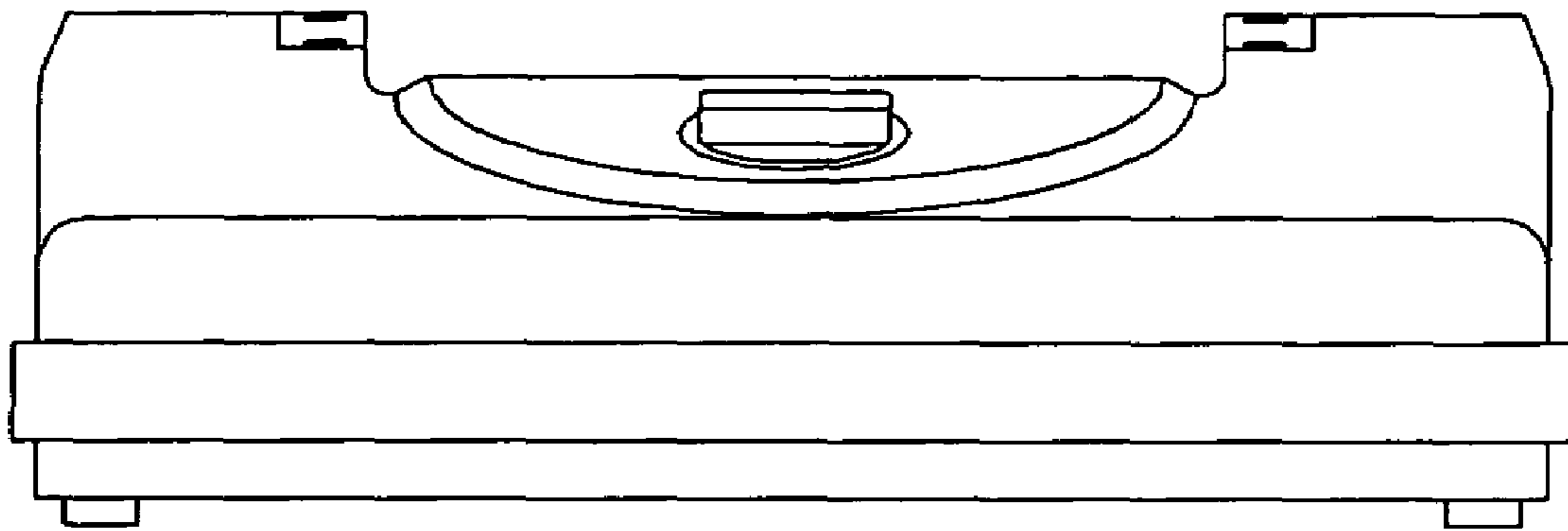


FIG. 3

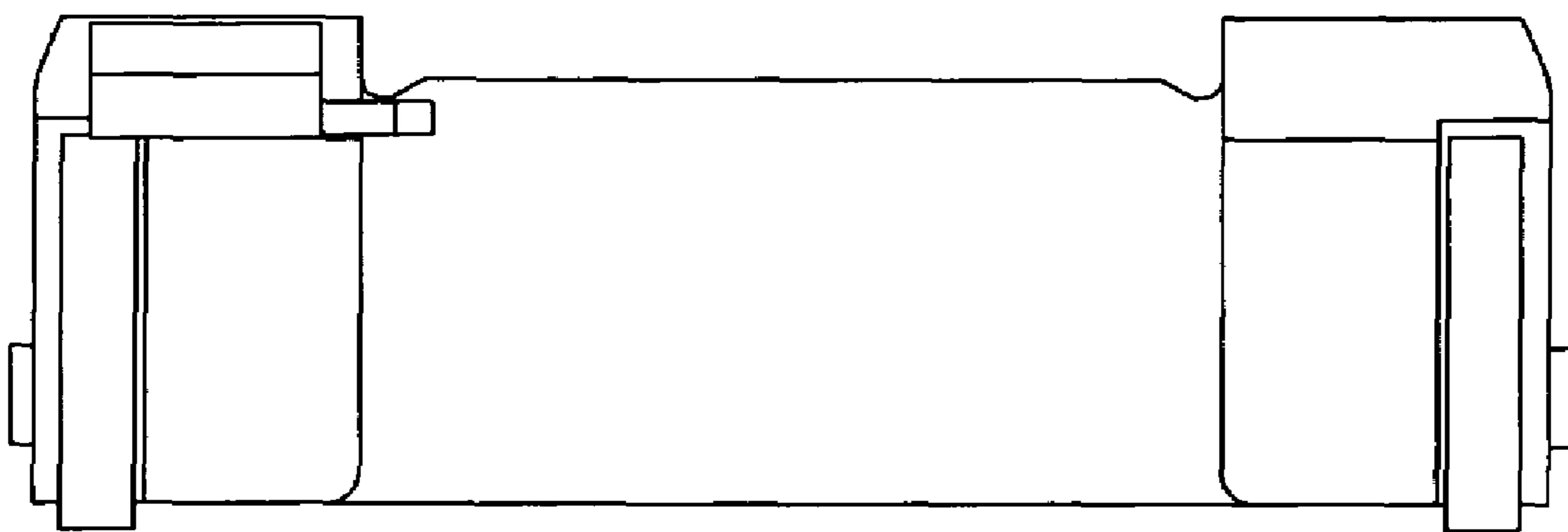


FIG. 4

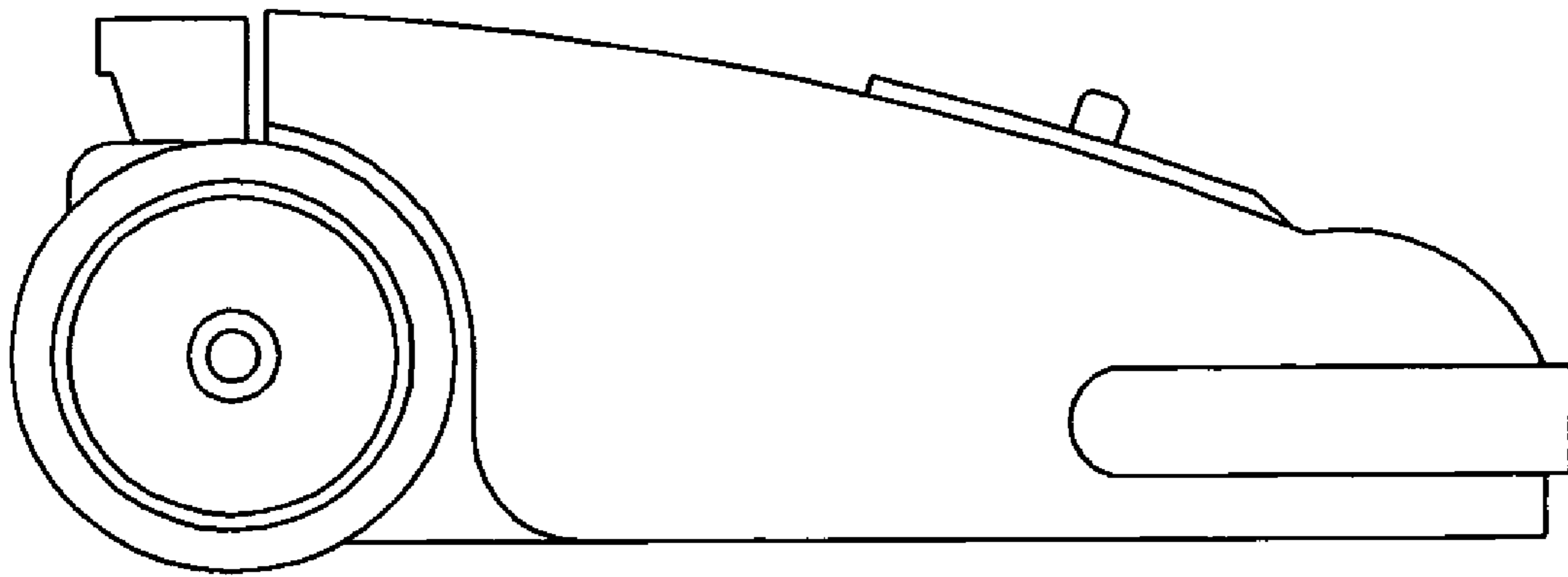


FIG. 5

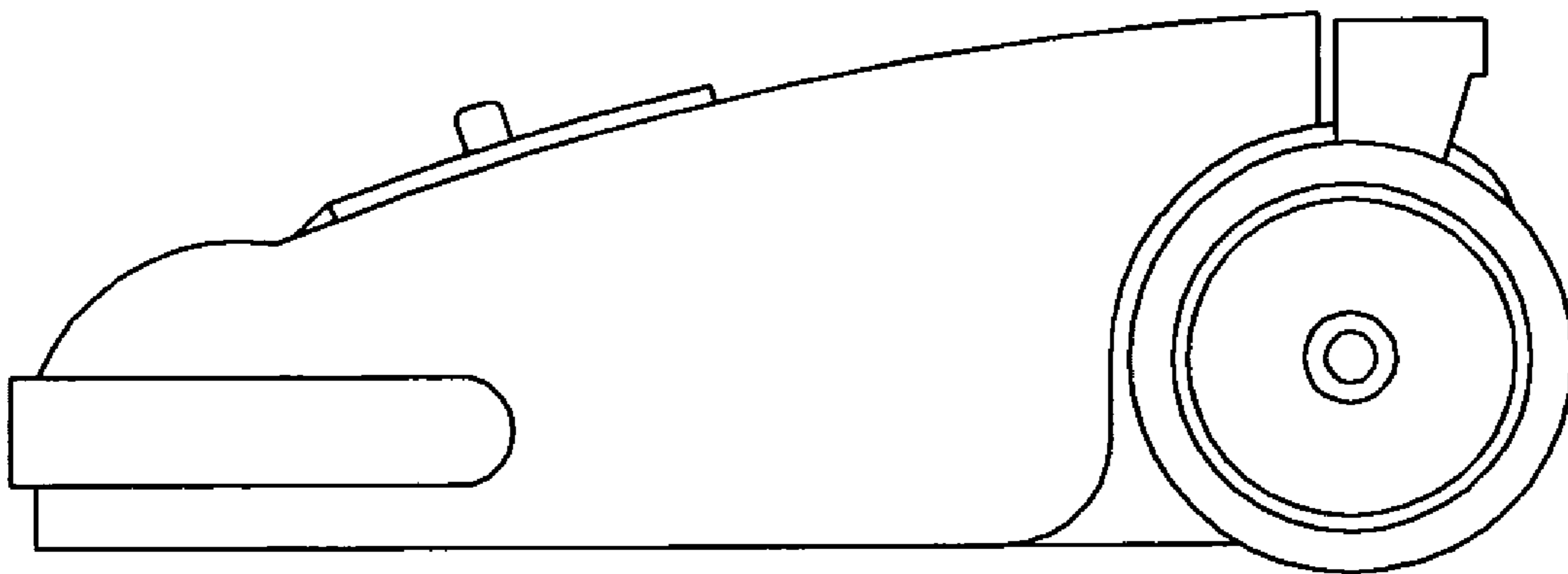


FIG. 6

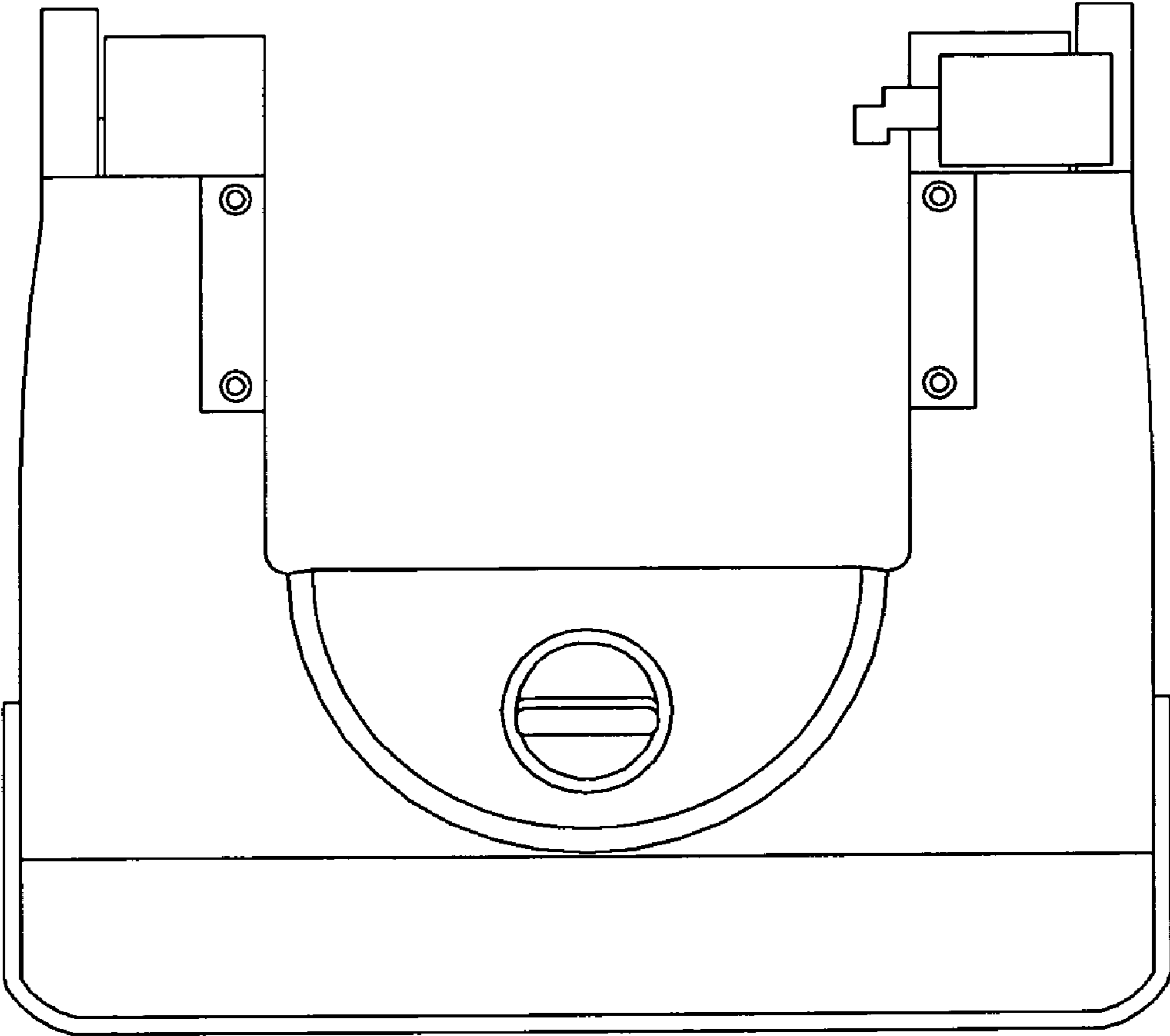


FIG. 7

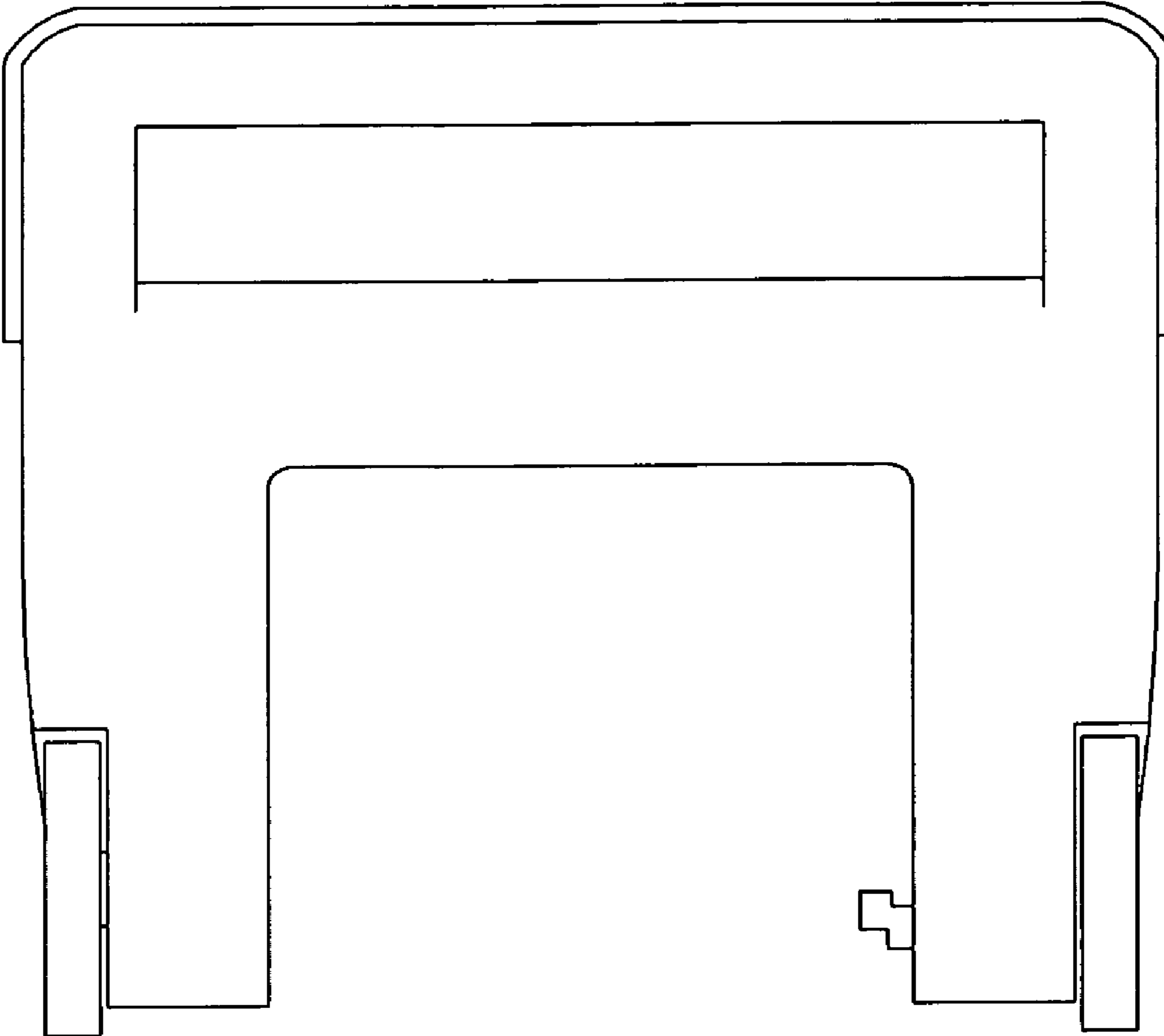


FIG. 8

