



US00D593264S

(12) **United States Design Patent**
Lin

(10) **Patent No.:** **US D593,264 S**

(45) **Date of Patent:** **** May 26, 2009**

(54) **DUST COLLECTOR**

(75) Inventor: **Kun-Yi Lin**, Taichung (TW)

(73) Assignee: **Chang Tjer Industrial Co., Ltd.**,
Taichung (TW)

(**) Term: **14 Years**

(21) Appl. No.: **29/297,561**

(22) Filed: **Nov. 14, 2007**

(51) **LOC (9) Cl.** **15-15**

(52) **U.S. Cl.** **D32/21**

(58) **Field of Classification Search** D32/1,
D32/15; 55/315, 429, 482, 428, 337, 471,
55/DIG. 3; 451/456, 453; 144/252.1; 96/350
See application file for complete search history.

(56) **References Cited**

U.S. PATENT DOCUMENTS

D289,096 S *	3/1987	Larsen	D32/21
D357,095 S *	4/1995	Lin	D32/1
D358,234 S *	5/1995	Lin	D32/1
D501,964 S *	2/2005	Cheng	D32/21
D502,297 S *	2/2005	Cheng	D32/21
D518,610 S *	4/2006	Cheng	D32/21

D527,852 S *	9/2006	Tsai	D32/1
D533,321 S *	12/2006	Peng	D32/21
7,217,307 B2 *	5/2007	Cheng	55/356
D566,350 S *	4/2008	Leasure	D32/21

* cited by examiner

Primary Examiner—Ruth McInroy

(74) *Attorney, Agent, or Firm*—Alan Kamrath; Kamrath & Associates PA

(57) **CLAIM**

The ornamental design for a dust collector, as shown and described.

DESCRIPTION

FIG. 1 is a perspective view of a dust collector showing my design;

FIG. 2 is a front elevational view thereof;

FIG. 3 is a rear elevational view thereof;

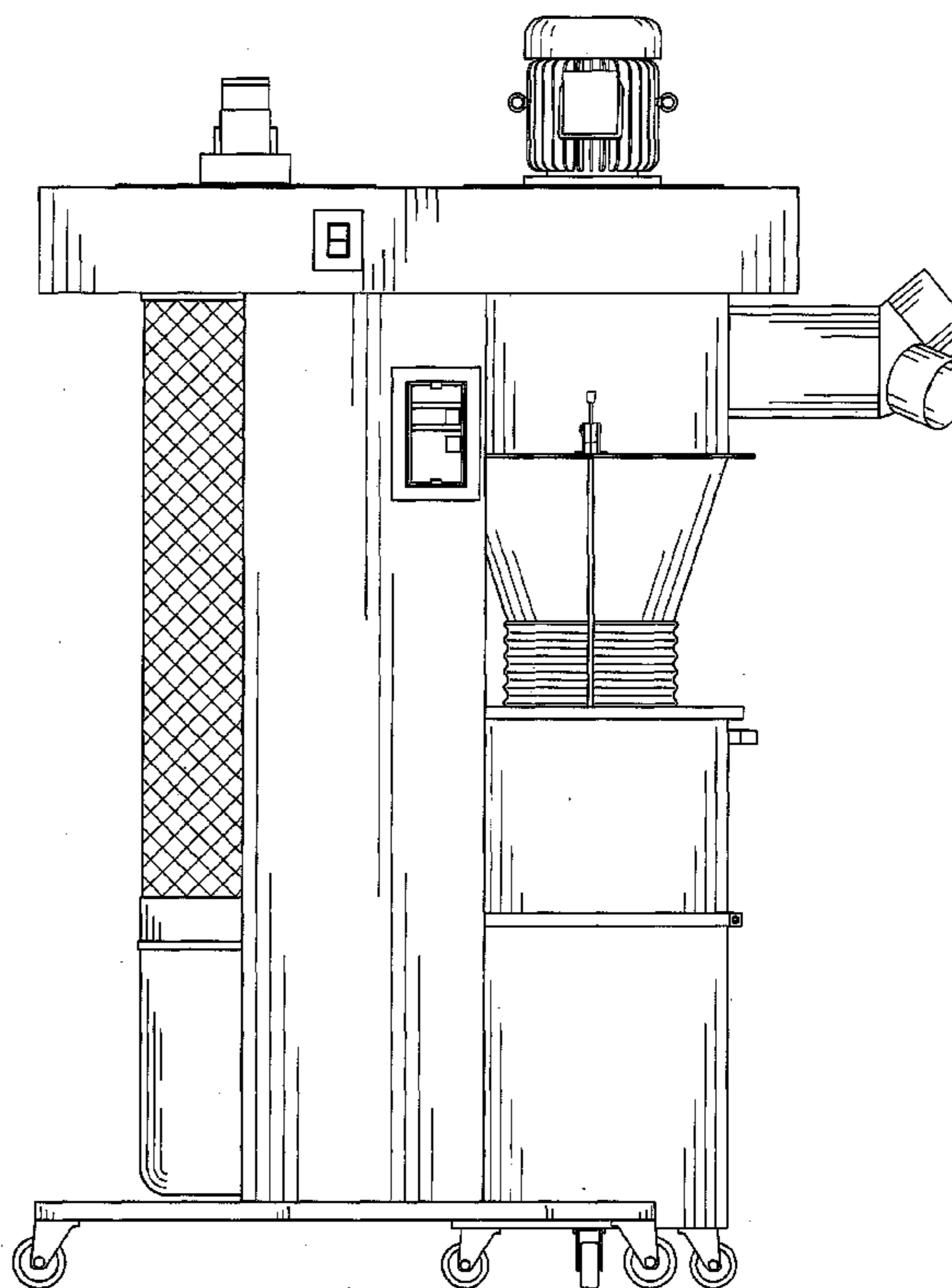
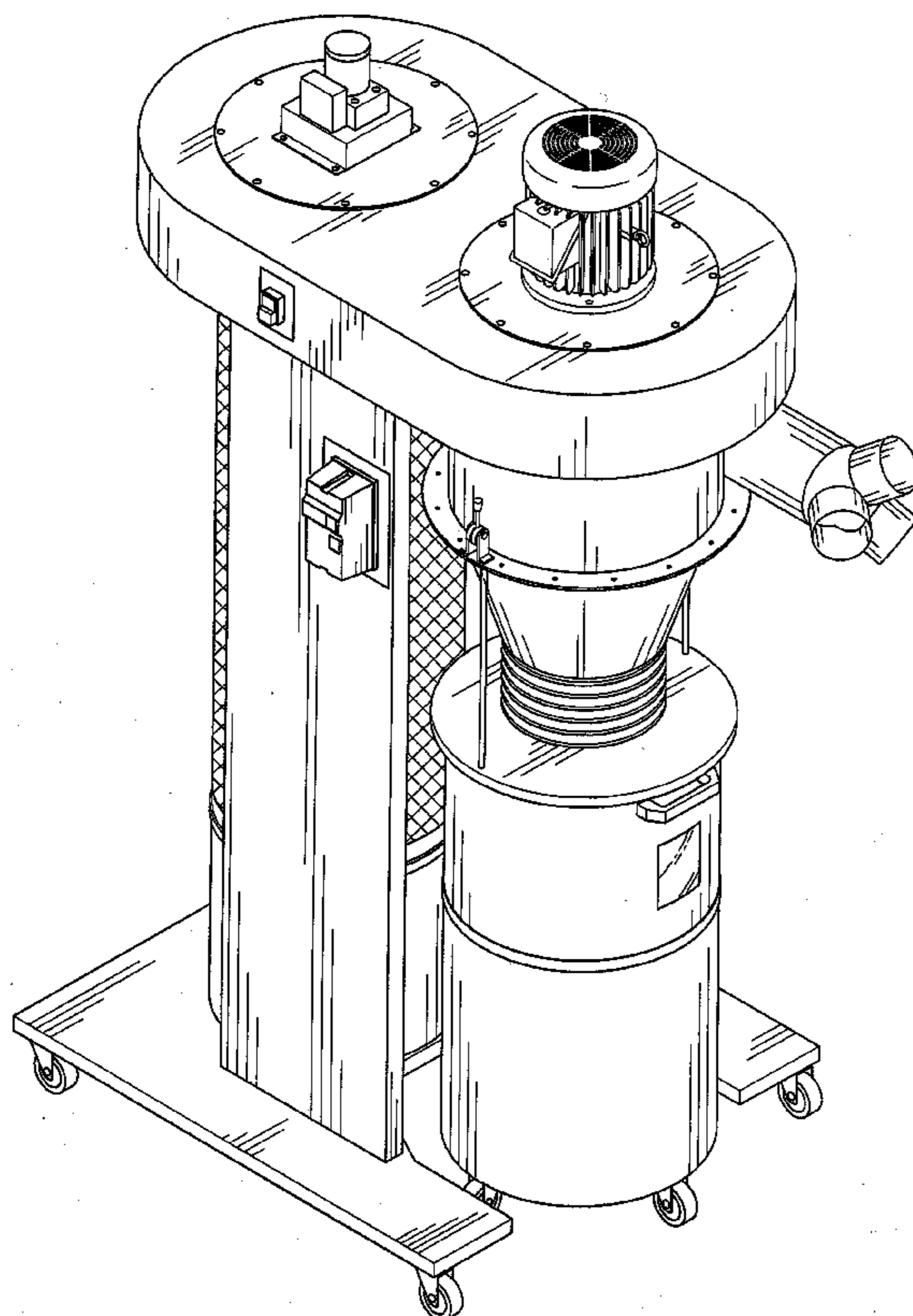
FIG. 4 is a left side elevational view thereof;

FIG. 5 is a right side elevational view thereof;

FIG. 6 is a top plan view thereof; and,

FIG. 7 is a bottom plan view thereof.

1 Claim, 7 Drawing Sheets



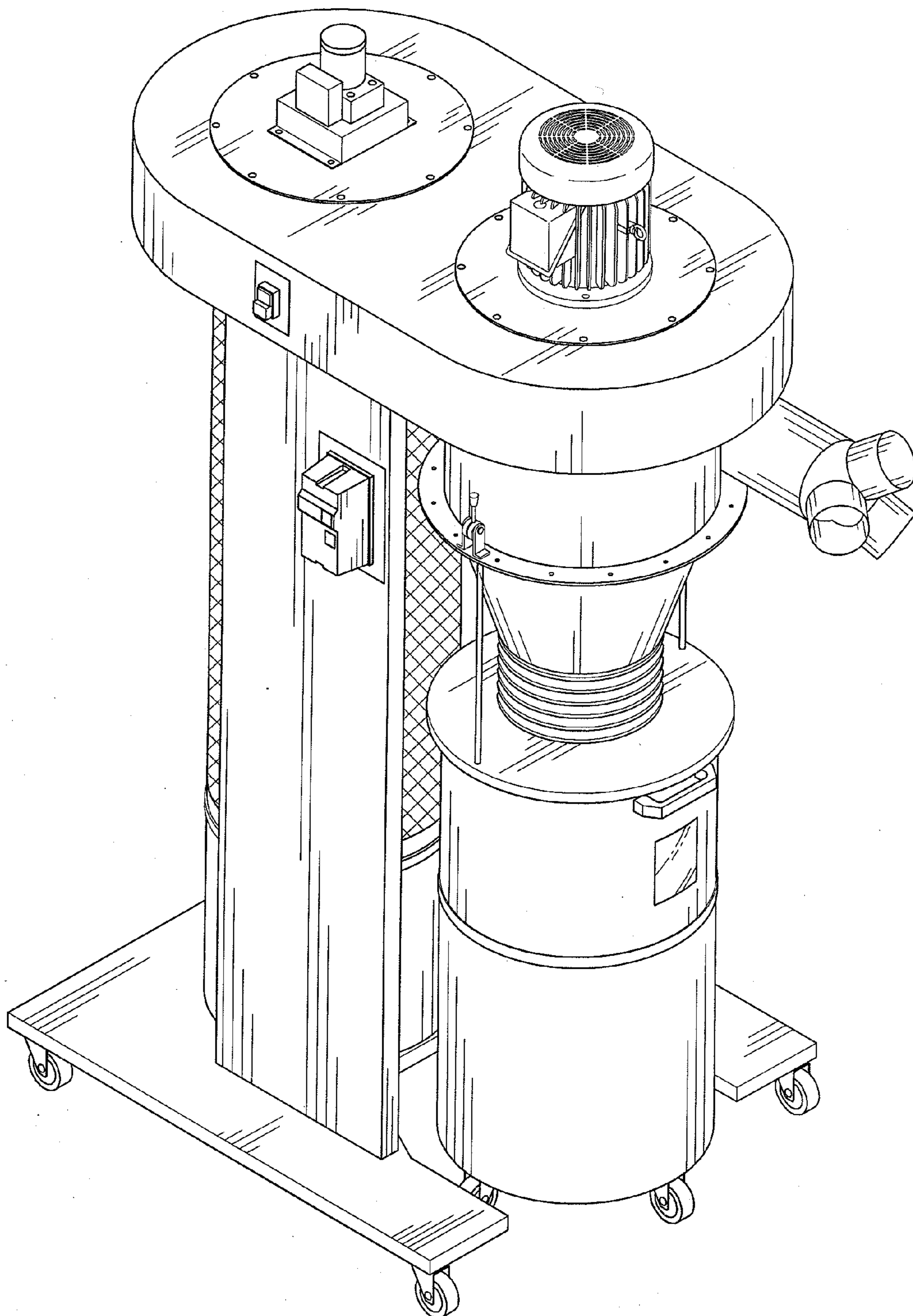


FIG.1

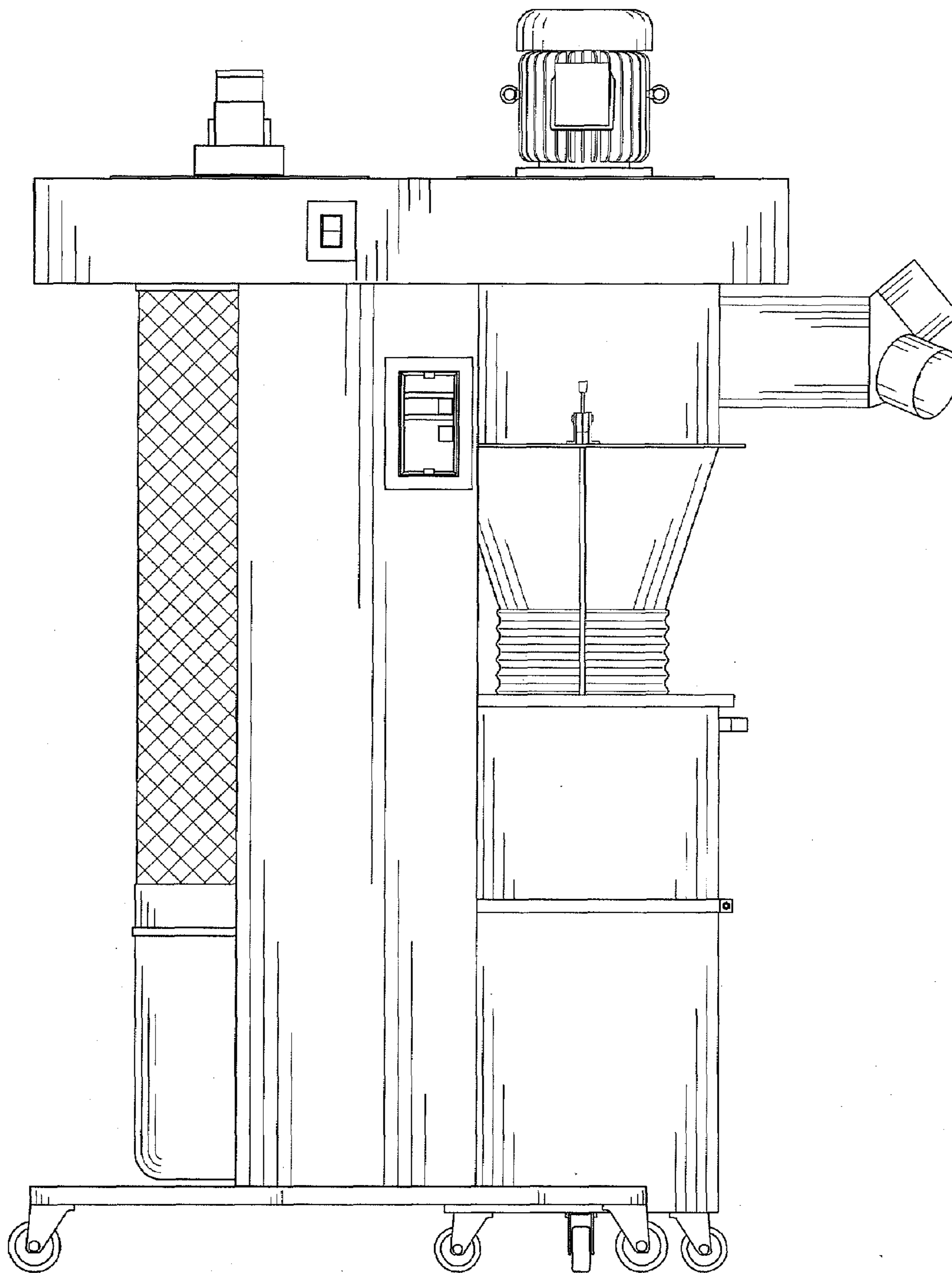


FIG. 2

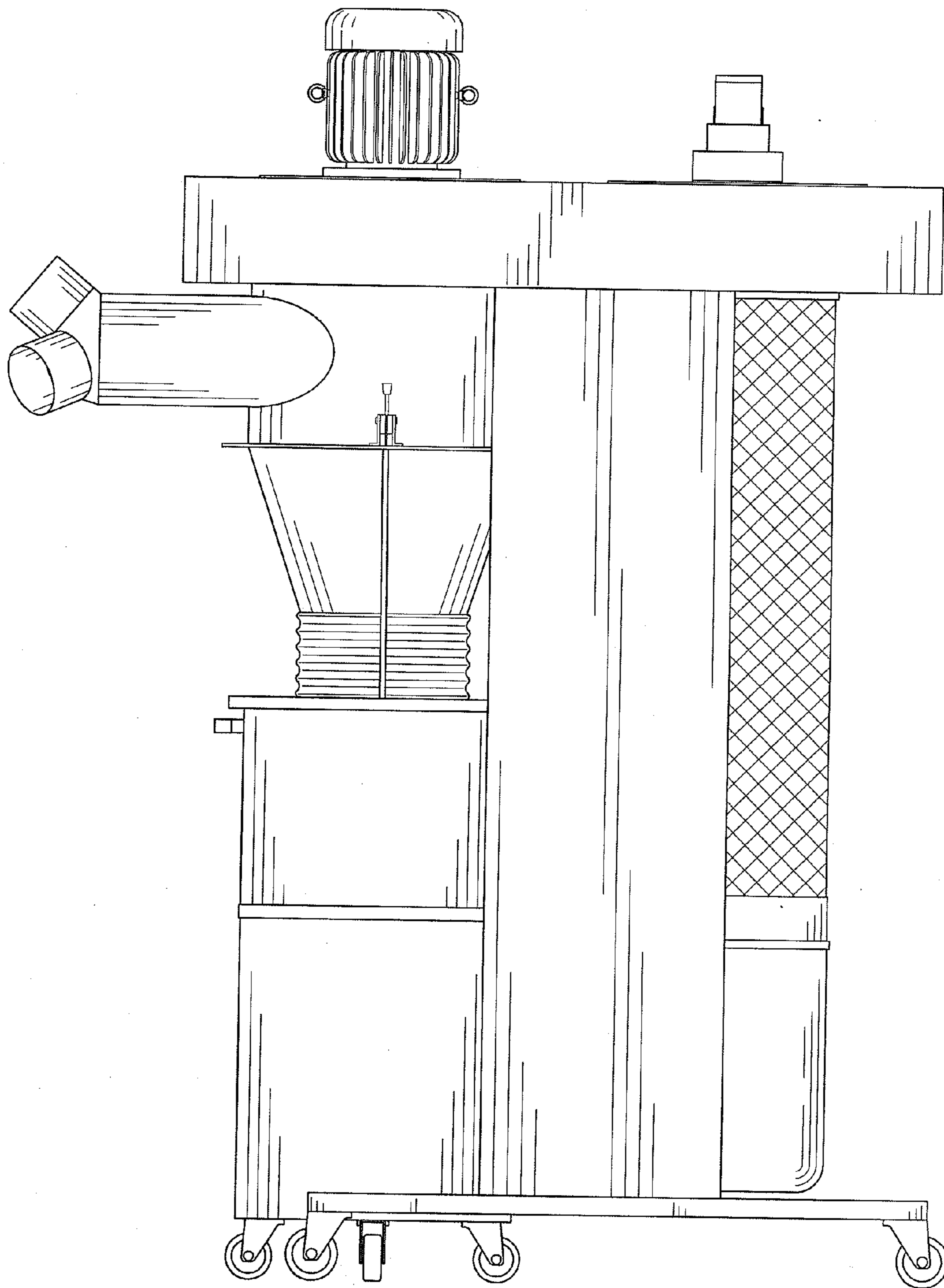


FIG.3

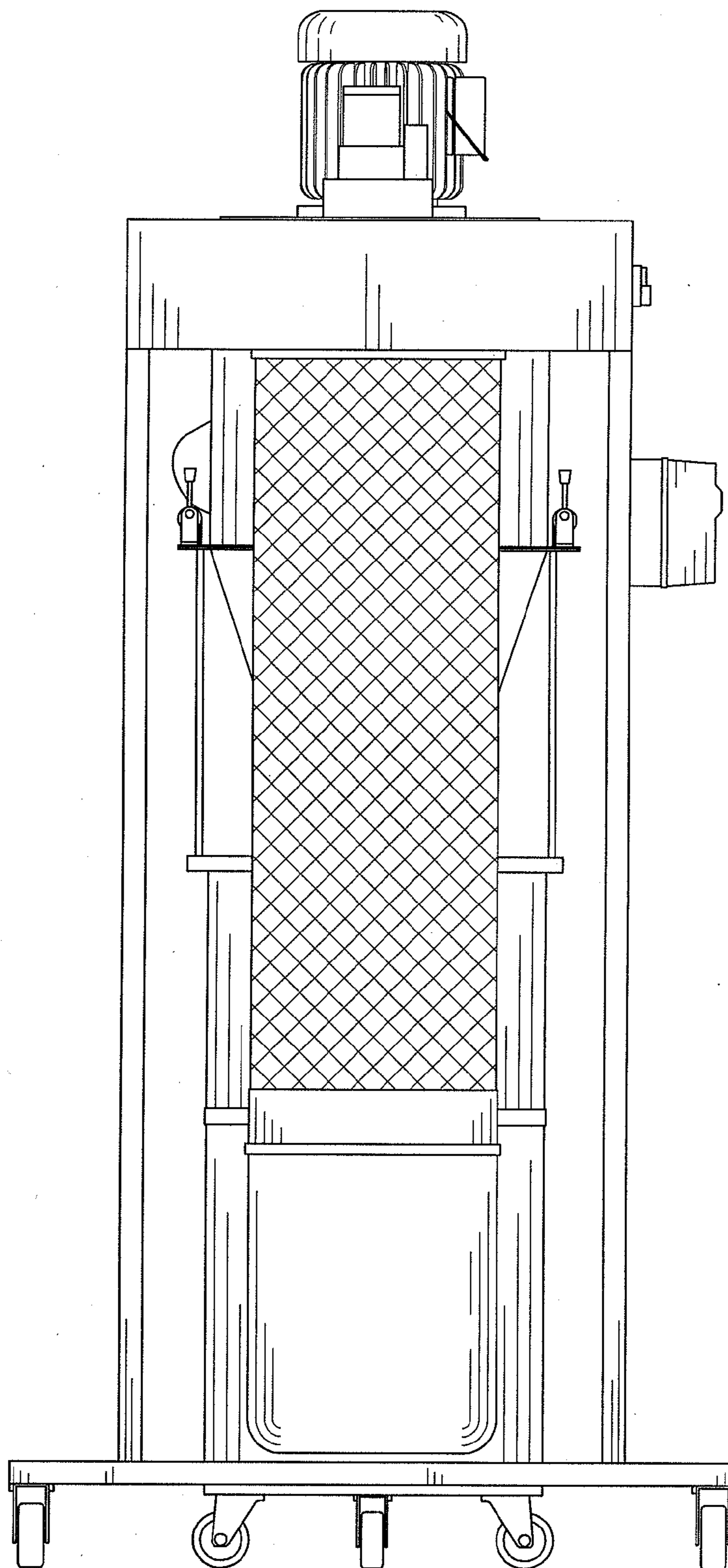


FIG. 4

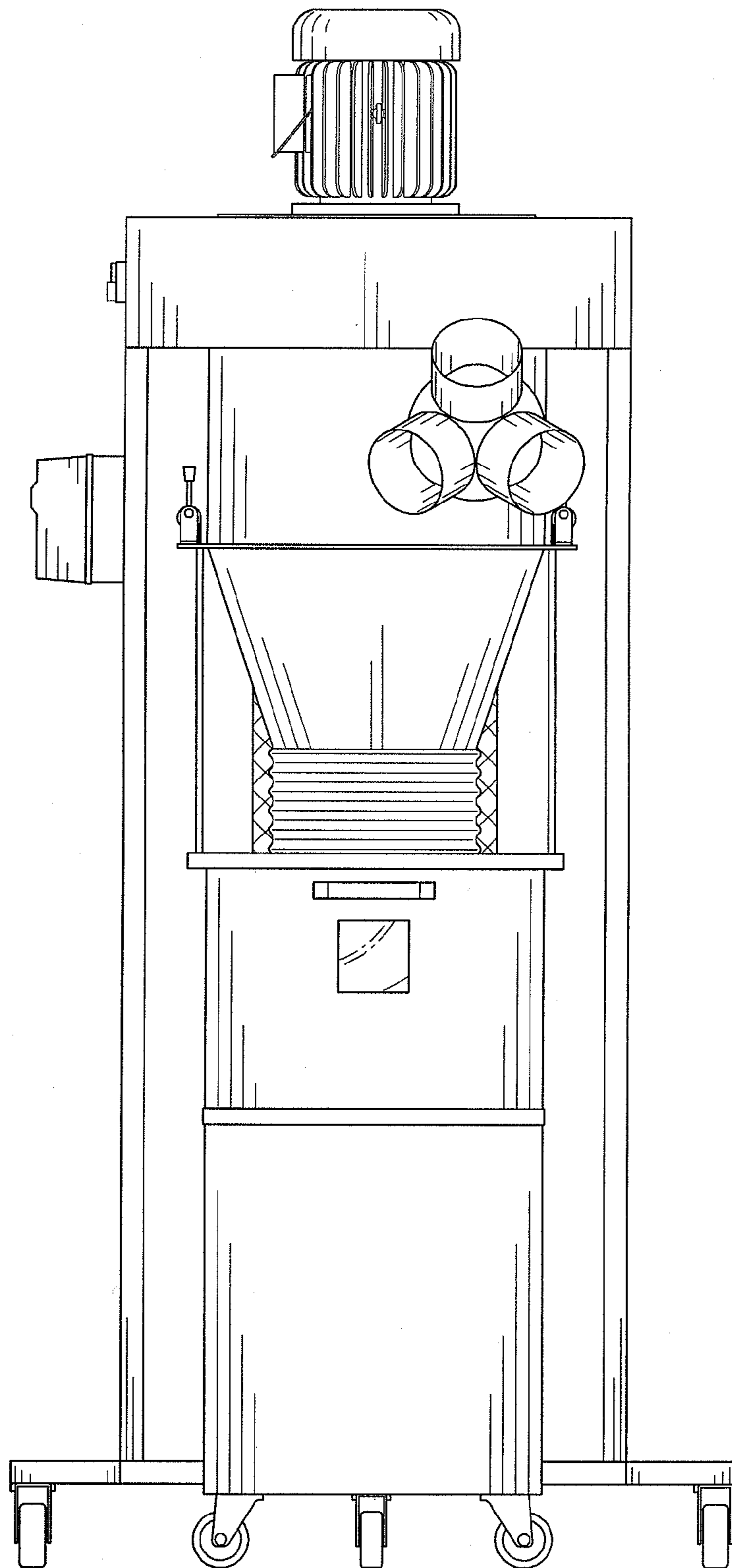


FIG.5

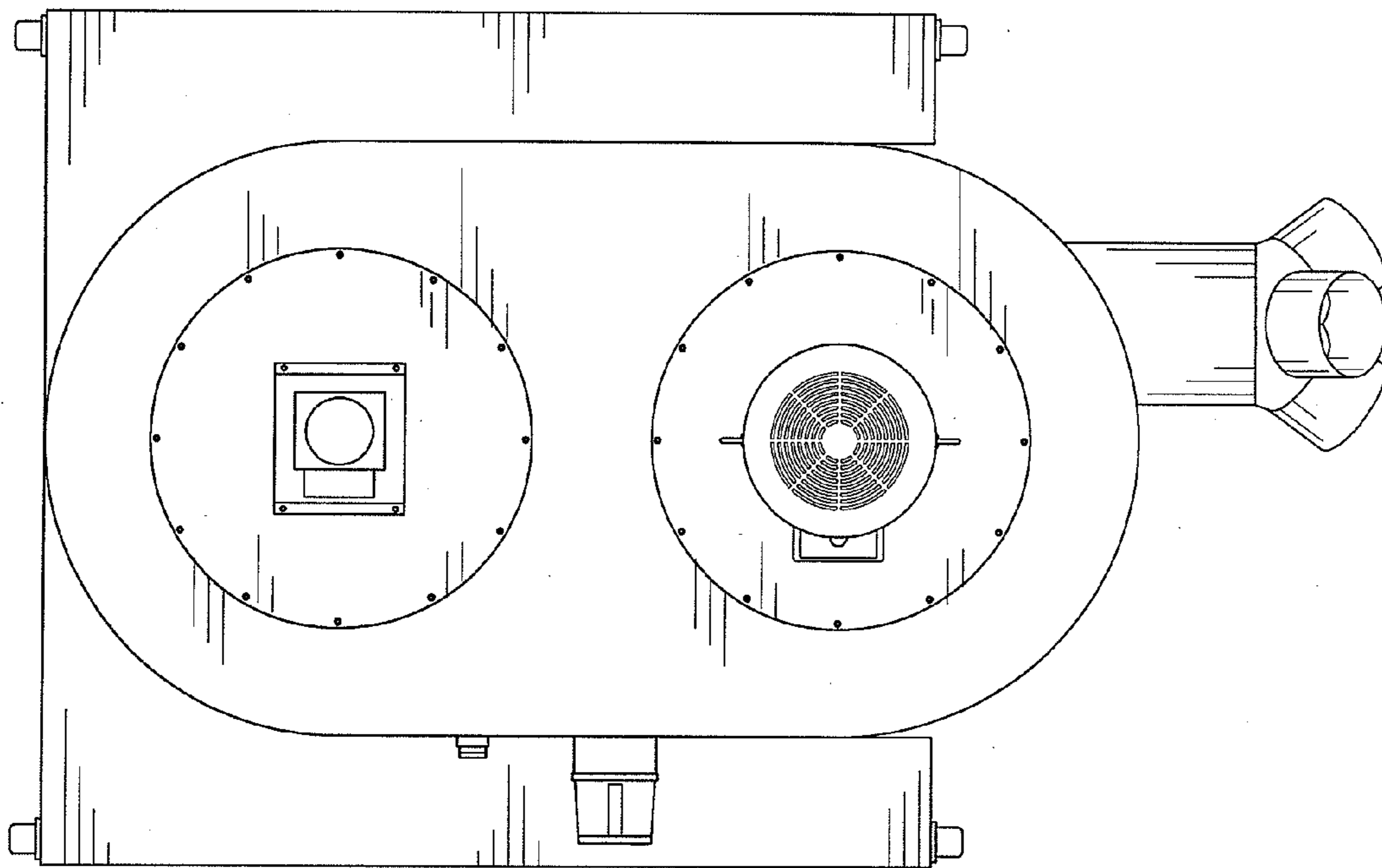


FIG.6

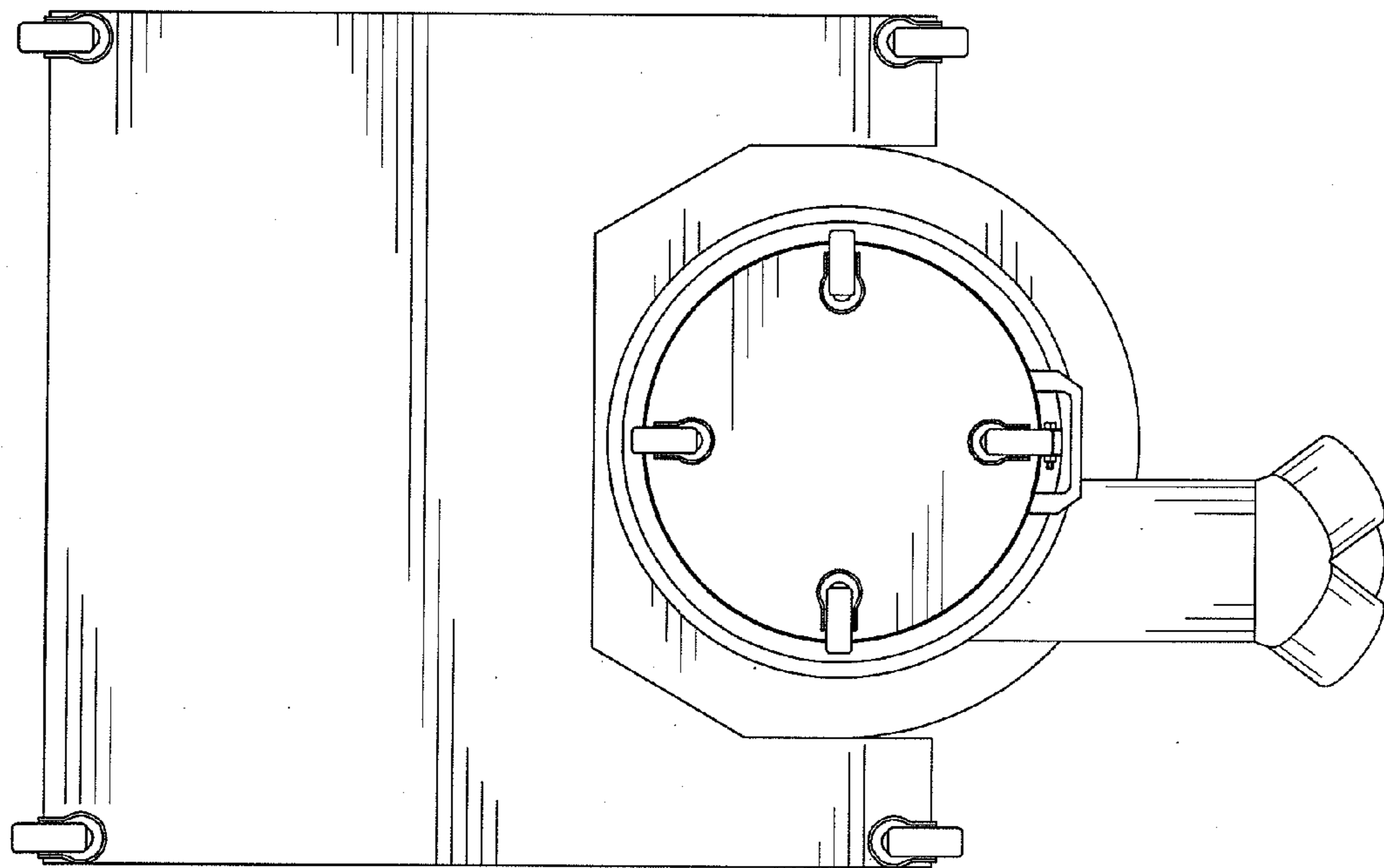


FIG.7