



US00D593261S

(12) **United States Design Patent**
Nishimura

(10) **Patent No.:** **US D593,261 S**

(45) **Date of Patent:** **** May 26, 2009**

(54) **HORSE STIRRUP**

(75) Inventor: **Keizo Nishimura**, Kobe (JP)

(73) Assignee: **Action Japan Inc.**, Kobe-shi (JP)

(**) Term: **14 Years**

(21) Appl. No.: **29/294,897**

(22) Filed: **Jan. 30, 2008**

(30) **Foreign Application Priority Data**

Aug. 23, 2007 (EM) 000779657

(51) **LOC (9) Cl.** **30-04**

(52) **U.S. Cl.** **D30/142**

(58) **Field of Classification Search** D30/142,
D30/146; 54/47-49, 1, 46.1; 119/850; 267/73,
267/70, 72

See application file for complete search history.

(56) **References Cited**

U.S. PATENT DOCUMENTS

30,369	A *	10/1860	Williamson	54/49
112,652	A *	3/1871	Taylor	54/48
147,373	A *	2/1874	Crane	54/48
153,074	A *	7/1874	Harris	54/49
565,478	A *	8/1896	Long	54/48
592,588	A *	10/1897	Hollister	54/46.1
652,805	A *	7/1900	Neal	54/48
704,184	A *	7/1902	Gillespie	54/48
930,655	A *	8/1909	Fields	54/49.5
1,088,552	A *	2/1914	Dolan et al.	54/49
1,639,073	A *	8/1927	Berbaum	54/47
1,758,930	A *	5/1930	Cameron	54/47
3,905,179	A *	9/1975	Bischeltsrieder	54/47
3,910,015	A *	10/1975	Ebejer	54/49
4,587,798	A *	5/1986	Taylor	54/49
D383,572	S *	9/1997	Rea	D30/142
5,930,986	A *	8/1999	Meaghan et al.	54/47
5,979,149	A *	11/1999	Martin	54/49
6,062,007	A *	5/2000	Cargill	54/47
6,282,872	B1 *	9/2001	Schulte	54/49
6,330,781	B1 *	12/2001	Meroth	54/49

6,425,230	B2 *	7/2002	Vollmecke et al.	54/48
6,629,405	B2 *	10/2003	Johnson	54/48
D491,698	S *	6/2004	Zucchini	D30/142
6,766,632	B2 *	7/2004	Chang	54/48
6,865,867	B1 *	3/2005	Zucchini	54/47
7,065,943	B2 *	6/2006	Chang	54/48
7,114,315	B2 *	10/2006	Chang	54/48
7,278,252	B2 *	10/2007	Chang	54/48
7,328,562	B2 *	2/2008	Chang	54/48
D568,549	S *	5/2008	Augsten	D30/142
2003/0051448	A1 *	3/2003	Johnson	54/48
2003/0140605	A1 *	7/2003	Hsi-Chang	54/48
2005/0076620	A1 *	4/2005	Sjosward	54/48
2006/0096256	A1 *	5/2006	Chang	54/48
2006/0168919	A1 *	8/2006	Strauss	54/48
2007/0006554	A1 *	1/2007	Chang	54/47
2008/0196363	A1 *	8/2008	Chang	54/49

OTHER PUBLICATIONS

State Line Tack 2006 catalogue, p. 148 "Stirrup Irons".*

* cited by examiner

Primary Examiner—Susan Moon Lee

(74) *Attorney, Agent, or Firm*—Alleman Hall McCoy Russell & Tuttle LLP

(57) **CLAIM**

The ornamental design for a horse stirrup, as shown and described.

DESCRIPTION

FIG. 1 is a front view of a horse stirrup, according to the present invention.

FIG. 2 is a top plan view of the horse stirrup of FIG. 1.

FIG. 3 is a bottom plan view of the horse stirrup of FIG. 1.

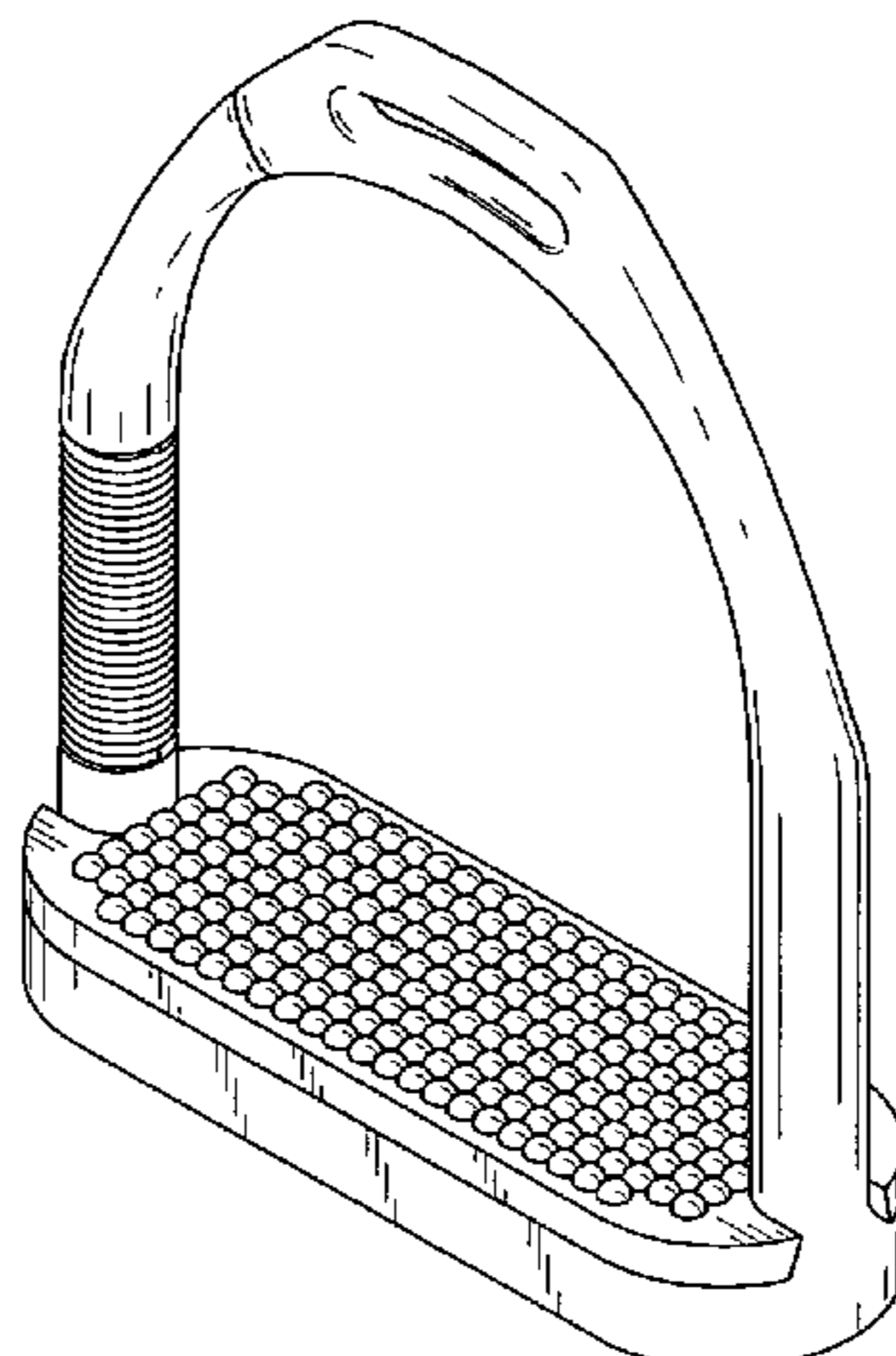
FIG. 4 is a left side view of the horse stirrup of FIG. 1.

FIG. 5 is a right side view of the horse stirrup of FIG. 1.

FIG. 6 is a perspective view of the horse stirrup of FIG. 1; and,

FIG. 7 is an open position front view of the horse stirrup of FIG. 1, in which the adjustable coiled spring portion is shown bent in a direction.

1 Claim, 3 Drawing Sheets



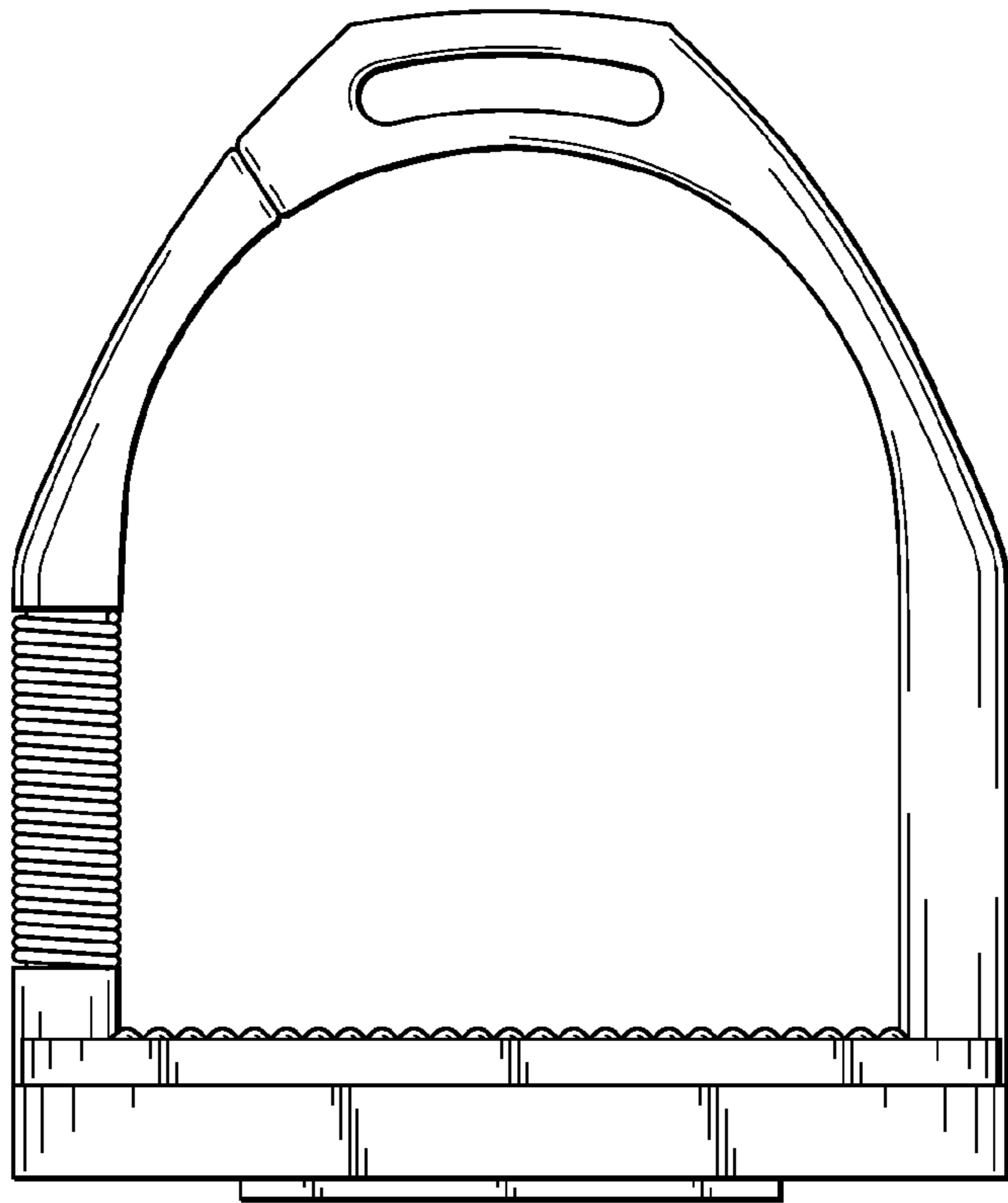


FIG. 1

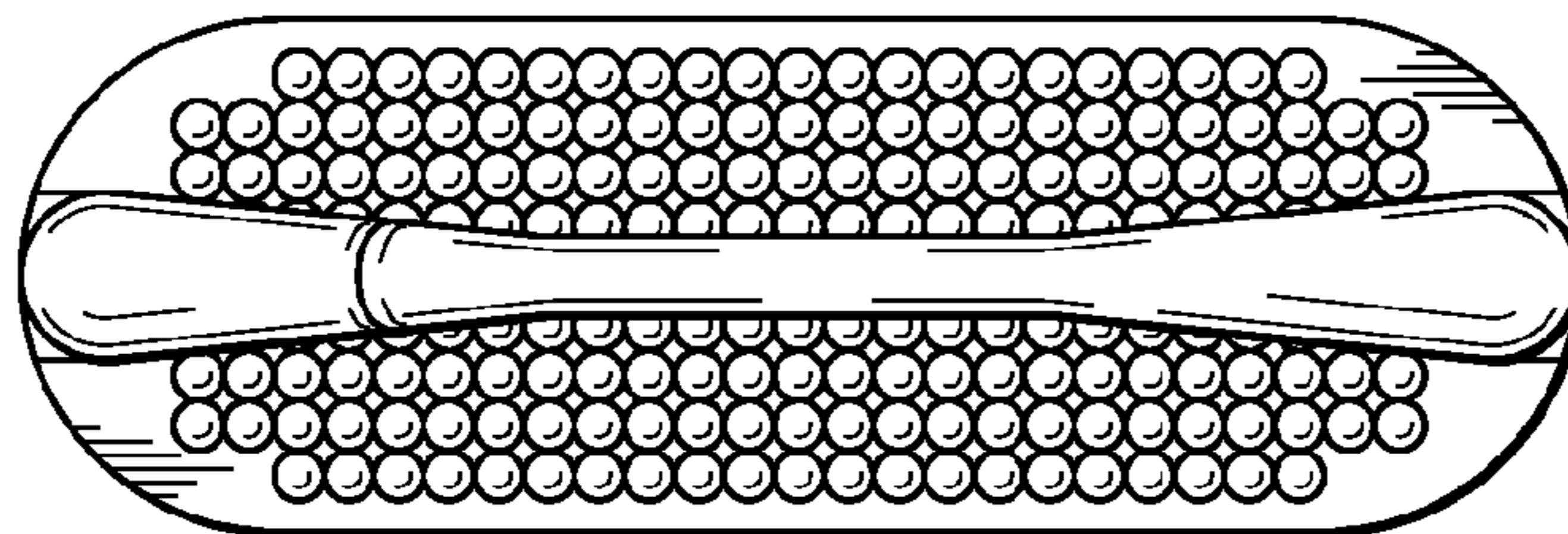


FIG. 2

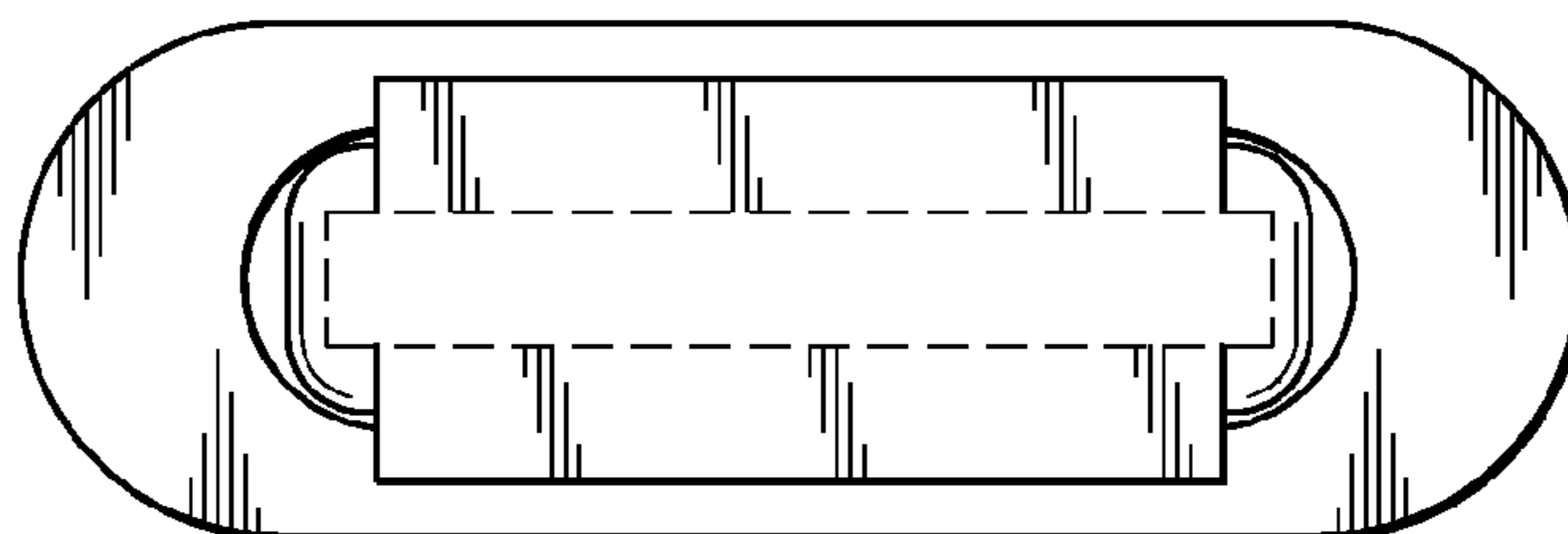


FIG. 3

FIG. 4

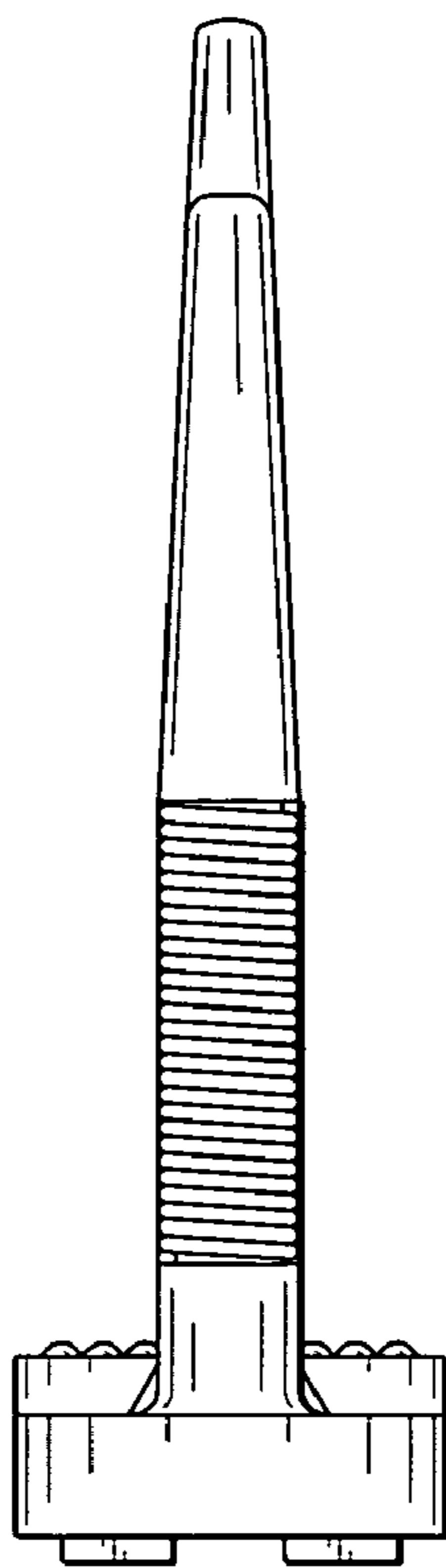
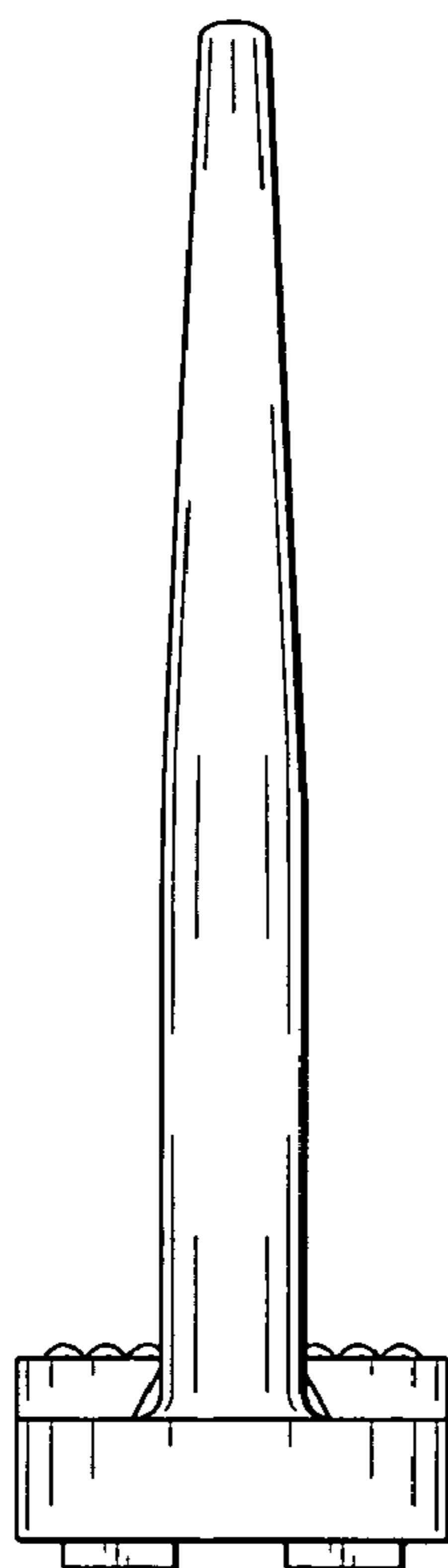


FIG. 5



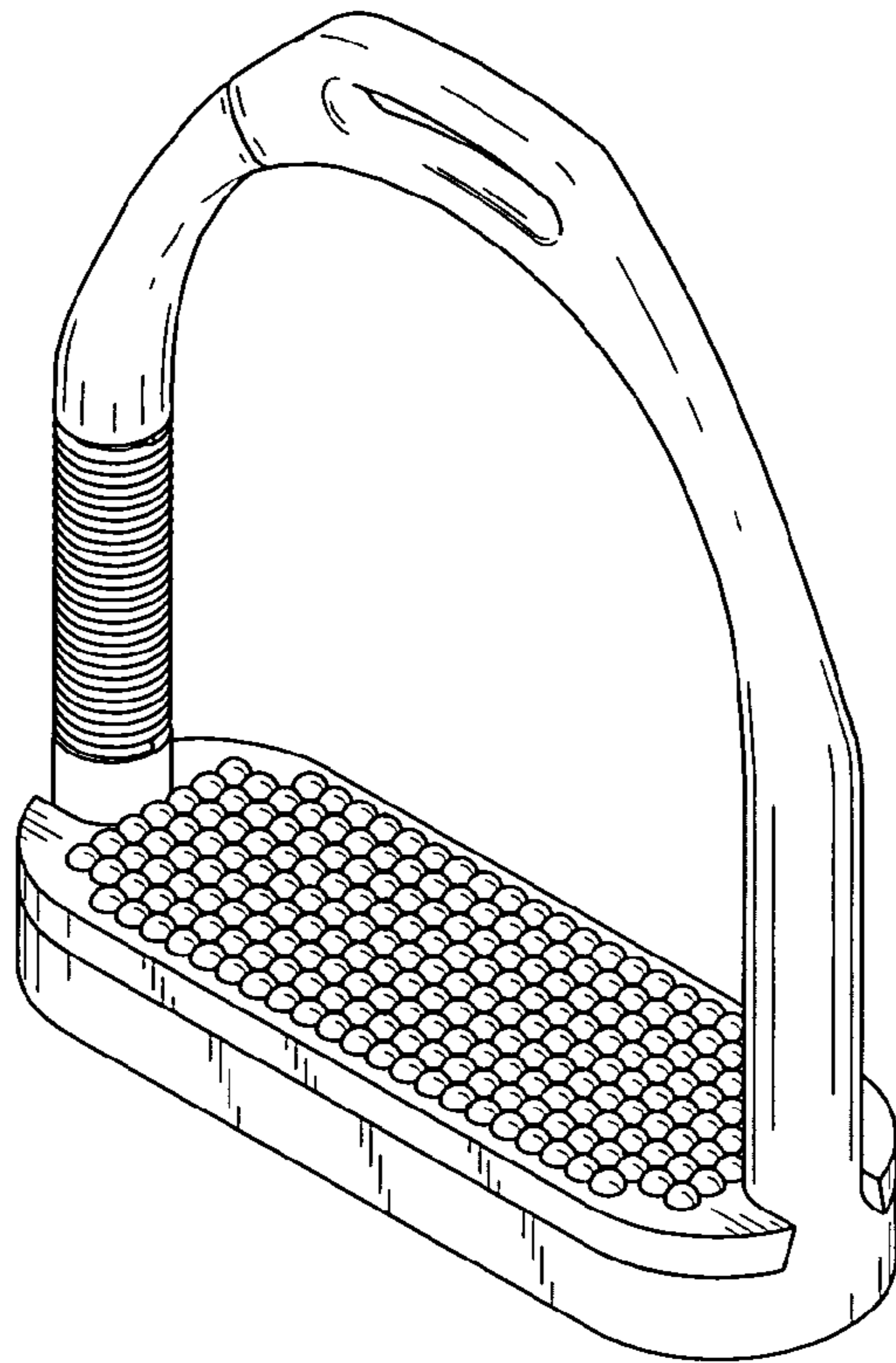


FIG. 6

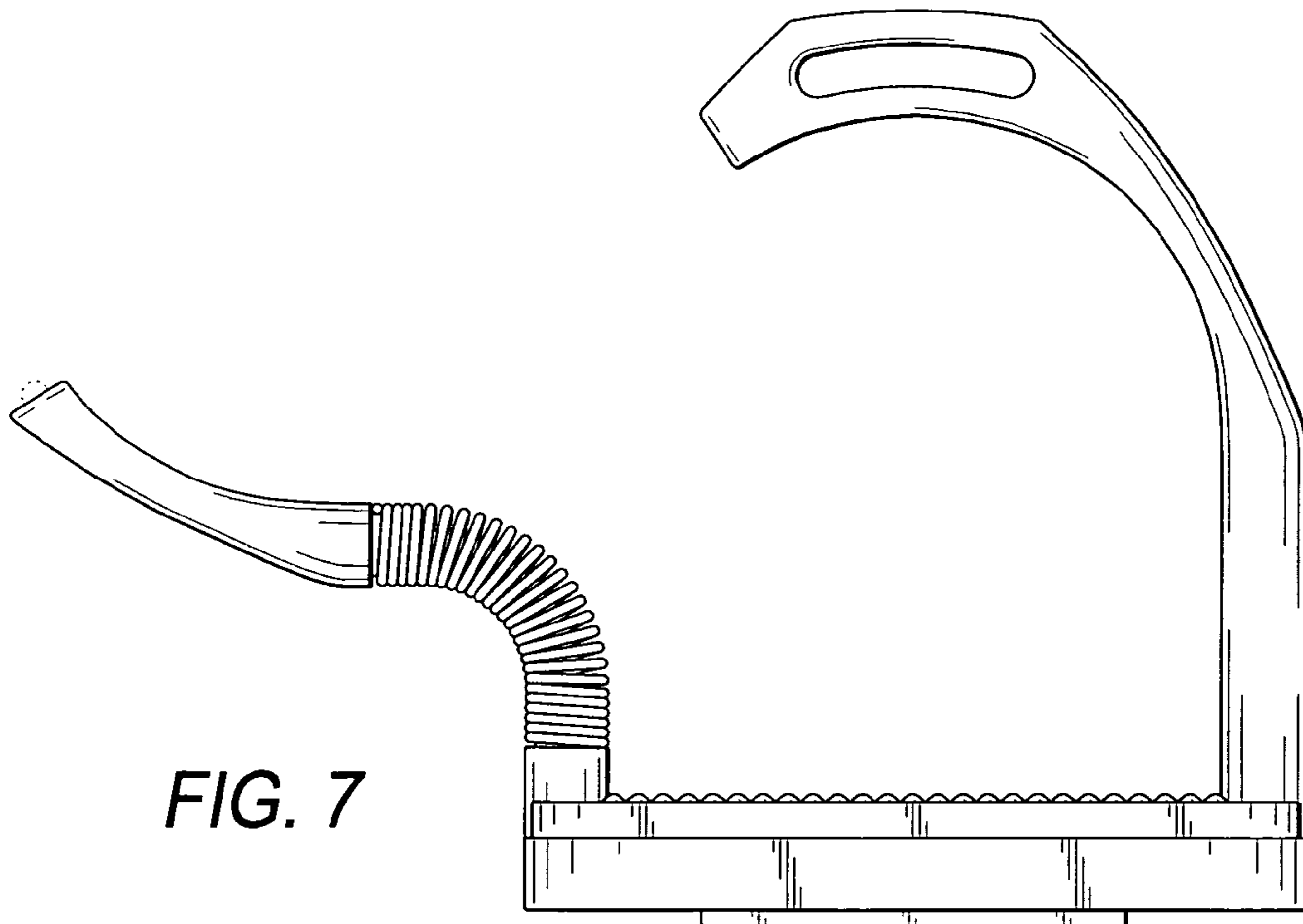


FIG. 7