



US00D593259S

(12) **United States Design Patent**
VanderDussen

(10) **Patent No.:** **US D593,259 S**

(45) **Date of Patent:** **** May 26, 2009**

(54) **BEE COLONY CONTAINER AND CARRIER**

D382,675 S * 8/1997 Wood D30/108

(75) **Inventor:** **David VanderDussen**, c/o NOD Apiary
Products Ltd., P.O. Box 117, 2325
Frankford Road, Frankford, ON (CA)
K0K 2C0

FOREIGN PATENT DOCUMENTS

WO WO03039979 5/2003

* cited by examiner

Primary Examiner—Cathy Anne MacCormac

(73) **Assignee:** **David VanderDussen**, Stirling, Ontario
(CA)

(57) **CLAIM**

(**) **Term:** **14 Years**

The ornamental design for a bee colony container and carrier,
as illustrated and described.

(21) **Appl. No.:** **29/299,664**

DESCRIPTION

(22) **Filed:** **Dec. 31, 2007**

FIG. 1 is a perspective view of the bee colony container and carrier in accordance with my design, shown in a closed, first position;

(51) **LOC (9) Cl.** **30-02**

(52) **U.S. Cl.** **D30/108; 449/26**

(58) **Field of Classification Search** D30/108–113,
D30/117; 43/54.1, 55, 56; 449/7, 26–28,
449/30

FIG. 2 is a front view of the bee colony container and carrier shown in FIG. 1, the opposite view being a mirror image thereof;

See application file for complete search history.

FIG. 3 is a side view of the bee colony container and carrier shown in FIGS. 1–2, the opposite view being a mirror image thereof;

(56) **References Cited**

U.S. PATENT DOCUMENTS

32,367 A *	5/1861	Hornbrook	449/26
2,162,413 A *	6/1939	Wisniewski	449/20
3,002,650 A	10/1961	Lovell	
3,842,982 A	10/1974	Joyce	
4,981,548 A *	1/1991	Poll	156/584
5,211,597 A *	5/1993	Scott et al.	449/30
5,509,846 A *	4/1996	Kueneman et al.	449/11
5,632,405 A *	5/1997	McMath	43/55

FIG. 4 is a top view of the bee colony container and carrier shown in FIGS. 1–3;

FIG. 5 is a bottom view of the bee colony container and carrier shown in FIGS. 1–4; and,

FIG. 6 is a perspective view of the bee colony container and carrier shown in FIGS. 1–5, shown in an open, second position.

1 Claim, 4 Drawing Sheets

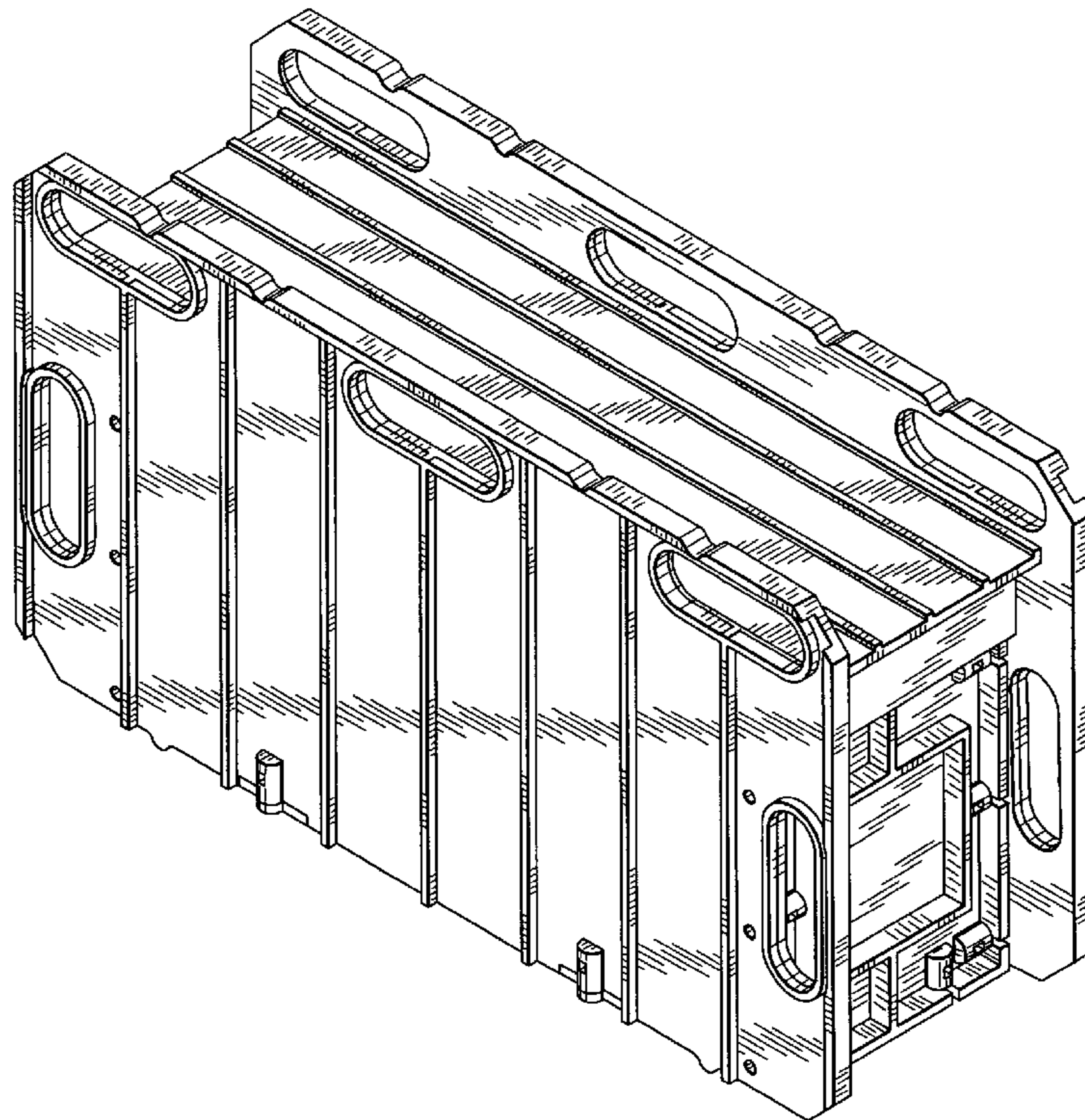
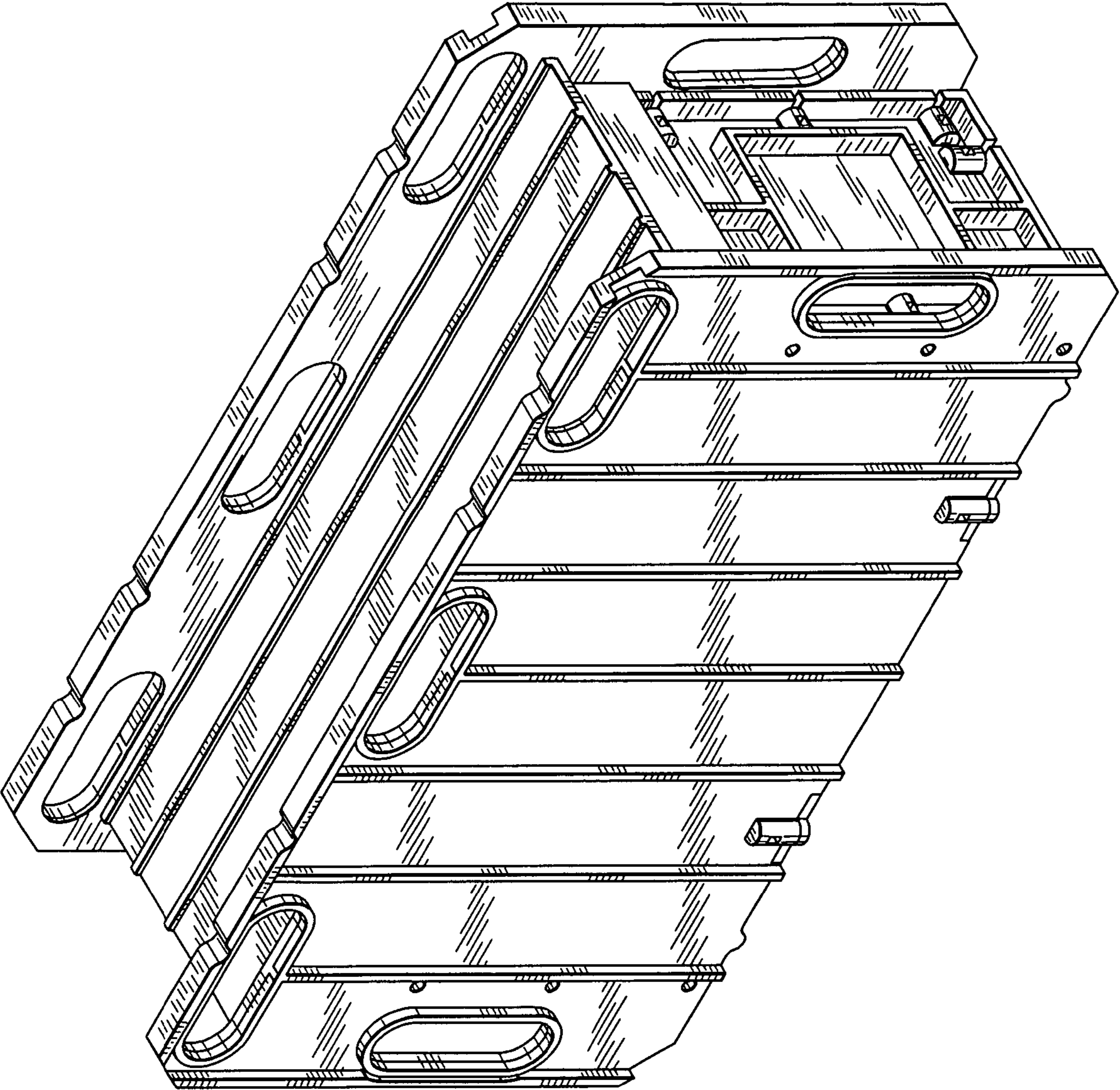


FIG. 1



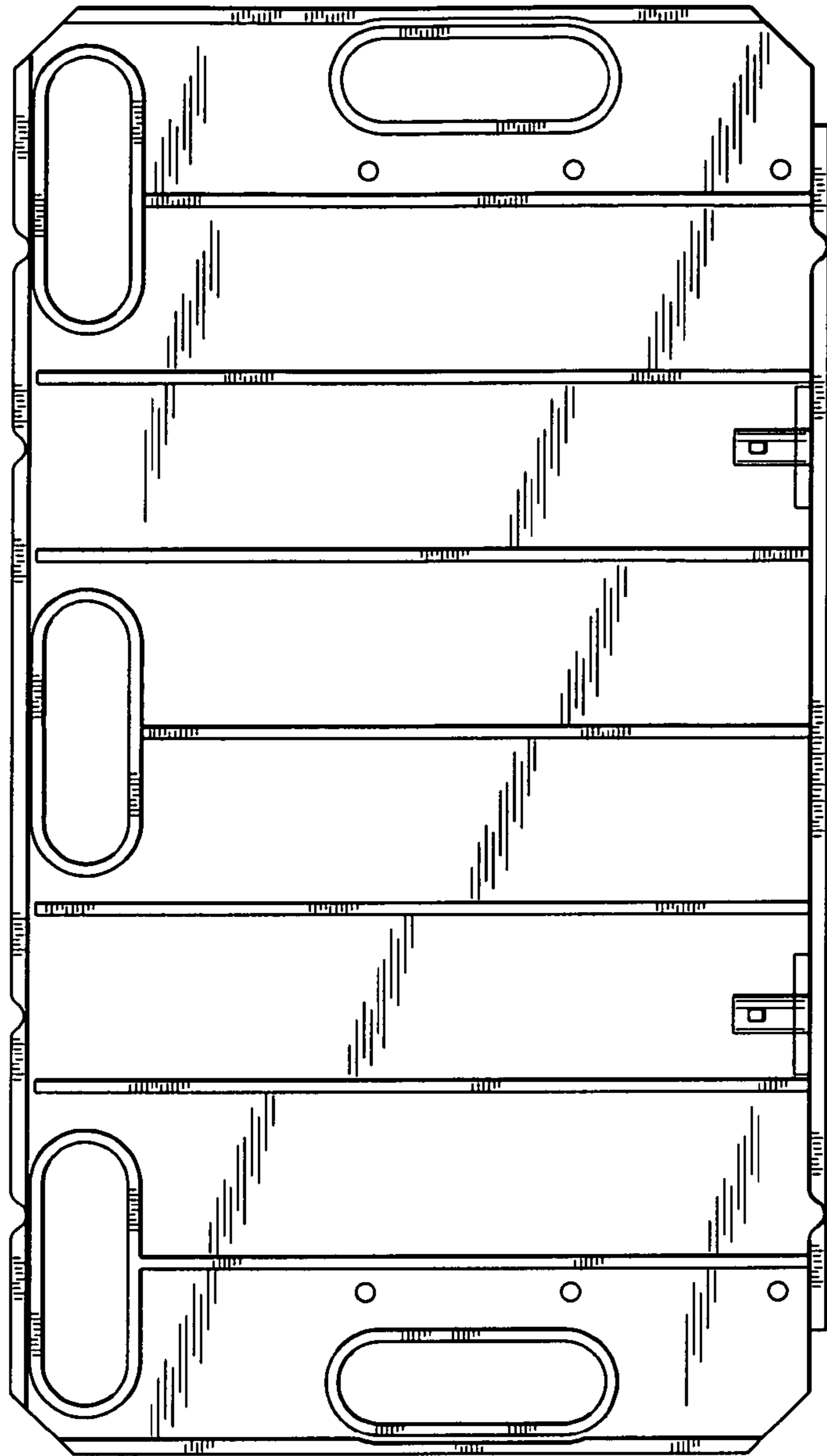


FIG. 3

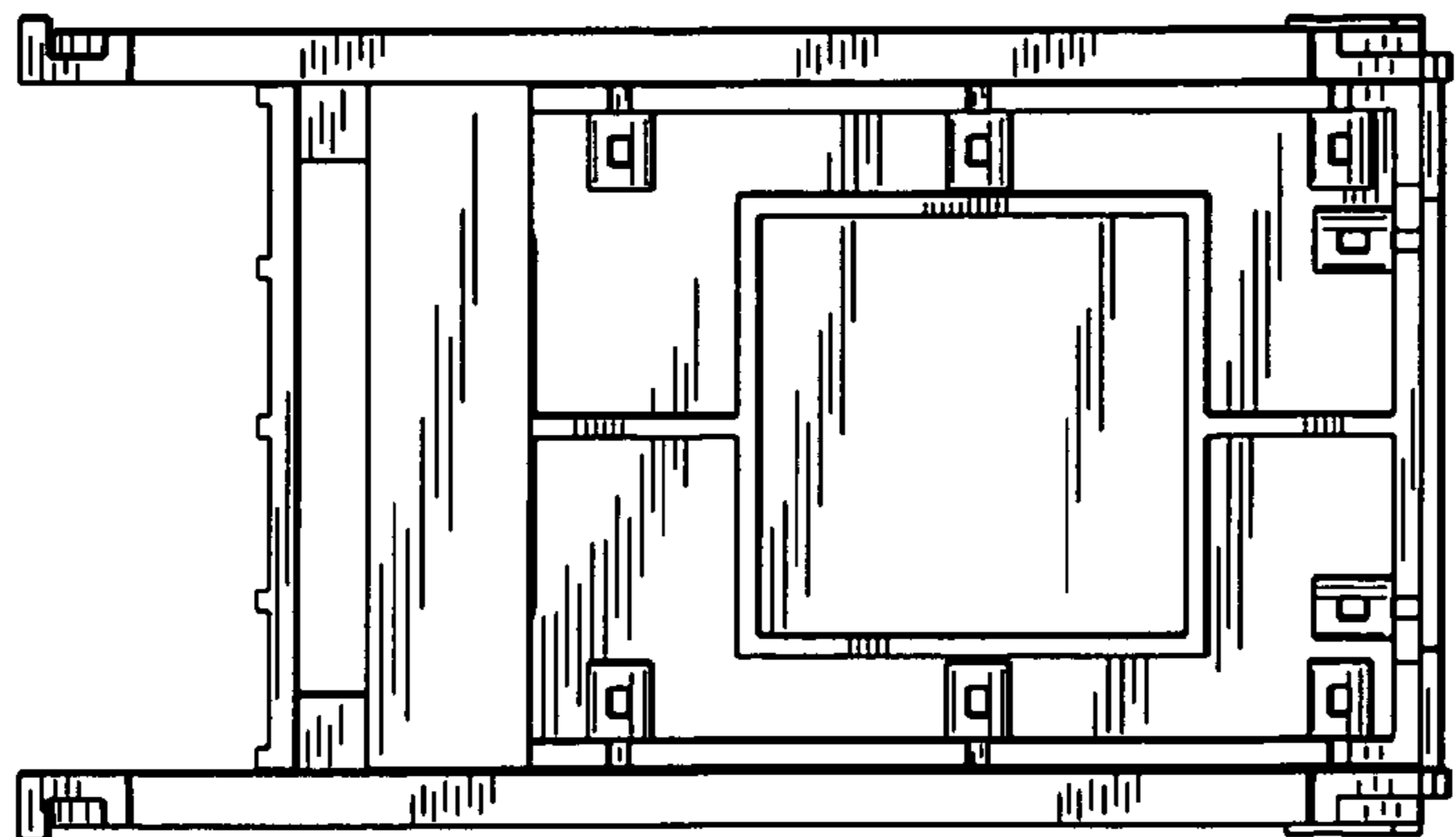


FIG. 2

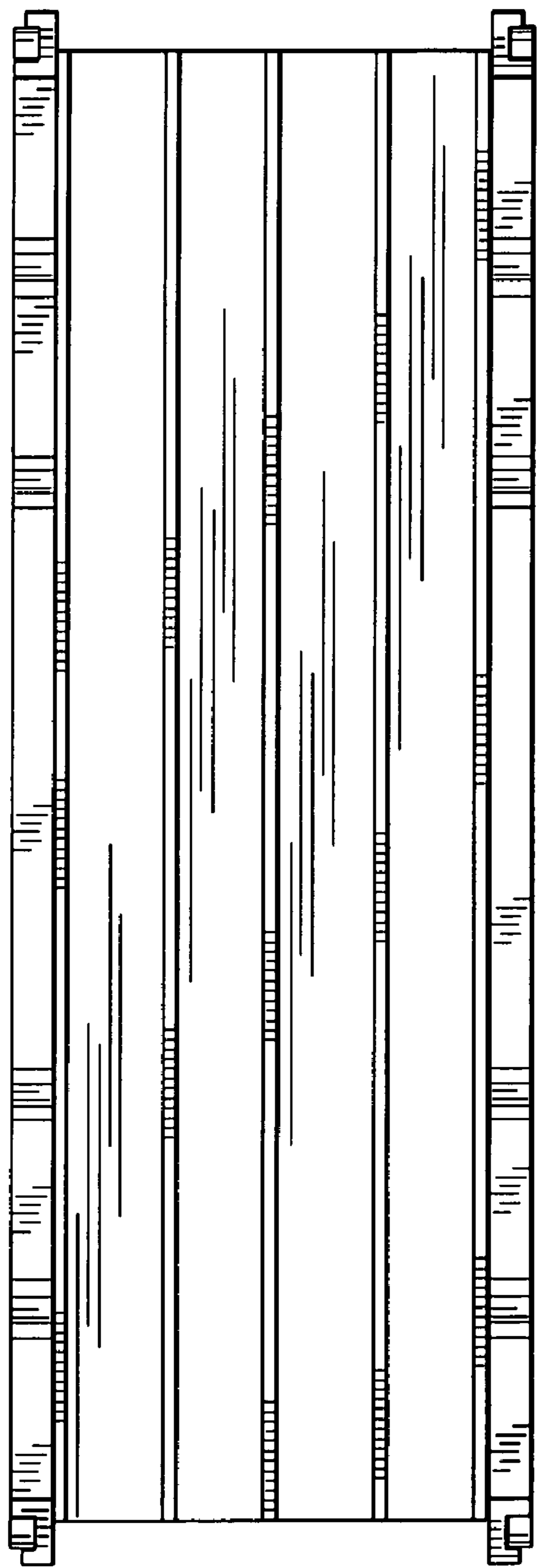


FIG. 4

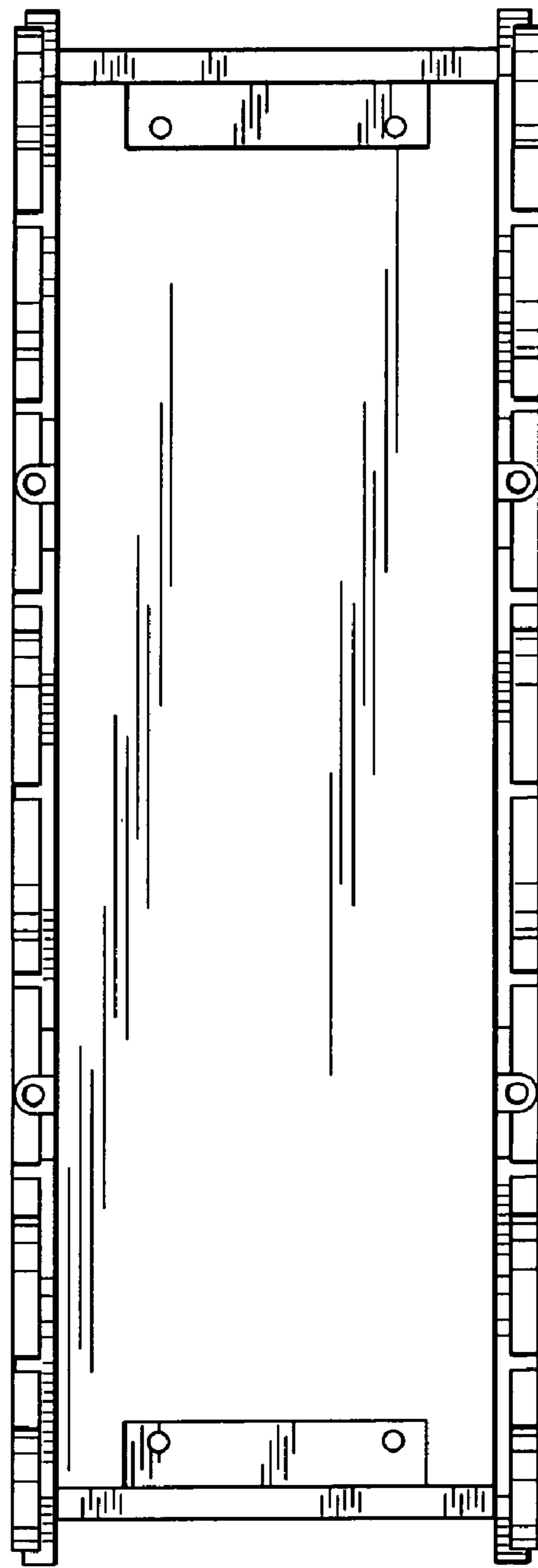
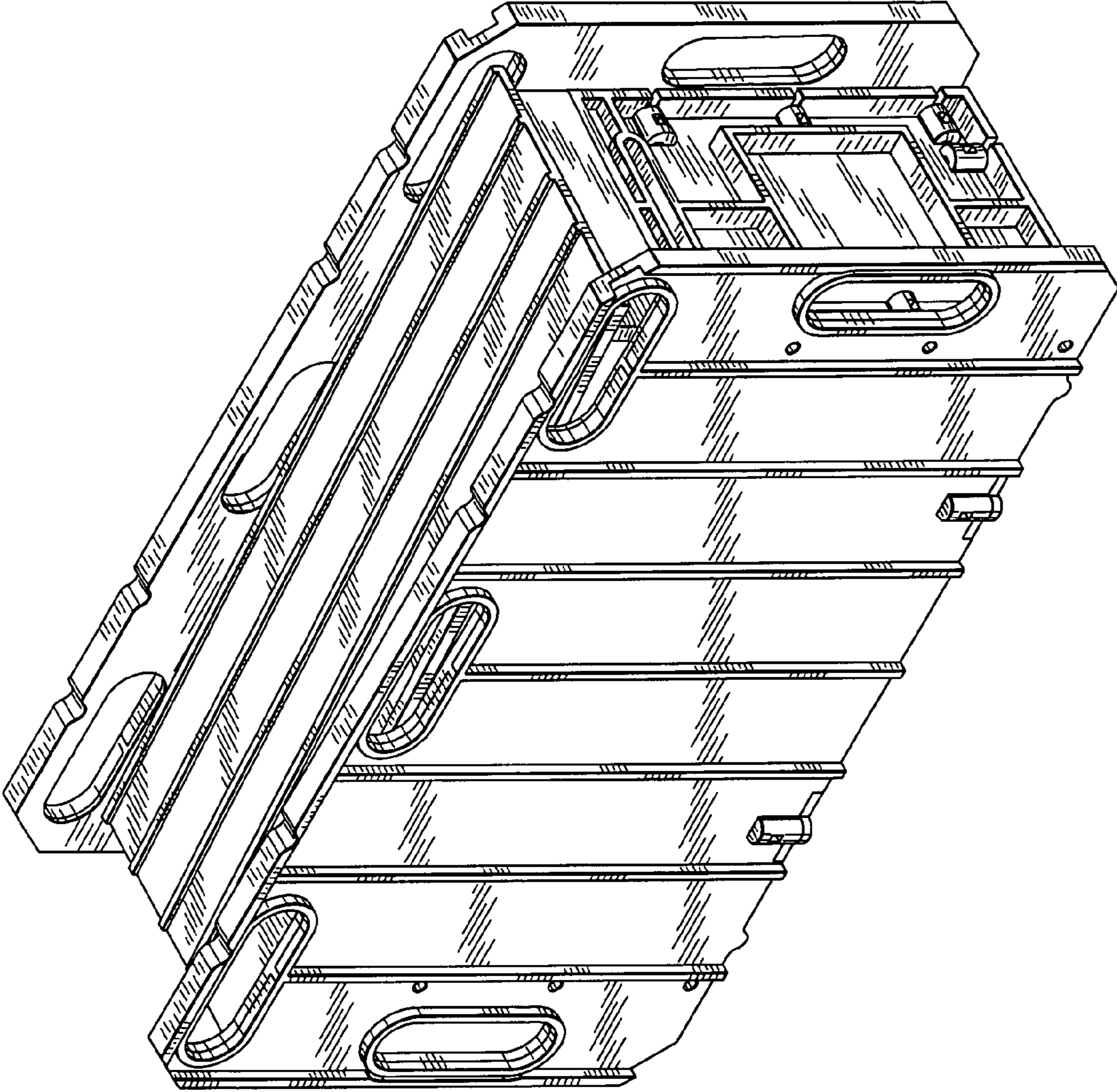


FIG. 5

FIG. 6



UNITED STATES PATENT AND TRADEMARK OFFICE
CERTIFICATE OF CORRECTION

PATENT NO. : Des. 593,259 S
APPLICATION NO. : 29/299664
DATED : May 26, 2009
INVENTOR(S) : David VanderDussen

Page 1 of 1

It is certified that error appears in the above-identified patent and that said Letters Patent is hereby corrected as shown below:

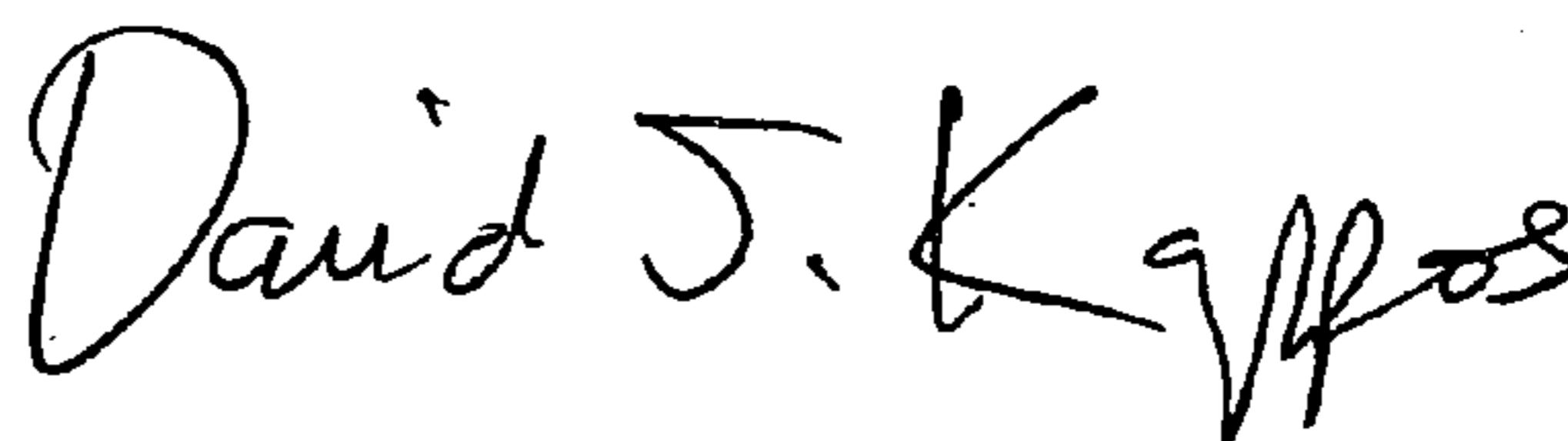
Title page, item [30]

Insert -- Foreign Application Priority Data

Canadian Design Application No. 123482 filed on November 28, 2007 --

Signed and Sealed this

Eleventh Day of August, 2009



David J. Kappos
Director of the United States Patent and Trademark Office