

US00D593258S

(12) **United States Design Patent**
Kamradt

(10) **Patent No.:** **US D593,258 S**

(45) **Date of Patent:** **** May 26, 2009**

(54) **SHIN GUARD**

(76) Inventor: **Brian Edward Kamradt**, 7825
Wedgfield Dr., Indianapolis, IN (US)
46217

(**) Term: **14 Years**

(21) Appl. No.: **29/313,229**

(22) Filed: **Dec. 19, 2008**

(51) **LOC (9) Cl.** **29-02**

(52) **U.S. Cl.** **D29/121.1**

(58) **Field of Classification Search** D29/100,
D29/101.1, 101.2, 101.3, 101.4, 101.5, 120.1,
D29/120.2, 121.1, 121.2, 122; D2/901; D24/190;
2/16, 20-24, 62, 267, 455, 461, 463, 910,
2/911; 602/3, 5, 6, 16, 23, 26
See application file for complete search history.

(56) **References Cited**

U.S. PATENT DOCUMENTS

3,735,419 A * 5/1973 Byrd 2/22
D278,470 S * 4/1985 Eghamn D29/120.1
D353,228 S * 12/1994 Henson D29/120.1
5,450,625 A * 9/1995 Hu 2/16

5,477,559 A * 12/1995 Clement 2/22
5,742,938 A * 4/1998 Winningham et al. 2/22
5,784,715 A * 7/1998 Buchanan 2/22
6,560,781 B1 * 5/2003 Keene et al. 2/22
D501,690 S * 2/2005 Chen D29/120.1

* cited by examiner

Primary Examiner—Raphael Barkai

Assistant Examiner—Randall H Gholson

(57) **CLAIM**

The ornamental design for a shin guard, as shown and described.

DESCRIPTION

FIG. 1 is a perspective view of the shin guard showing my new design;

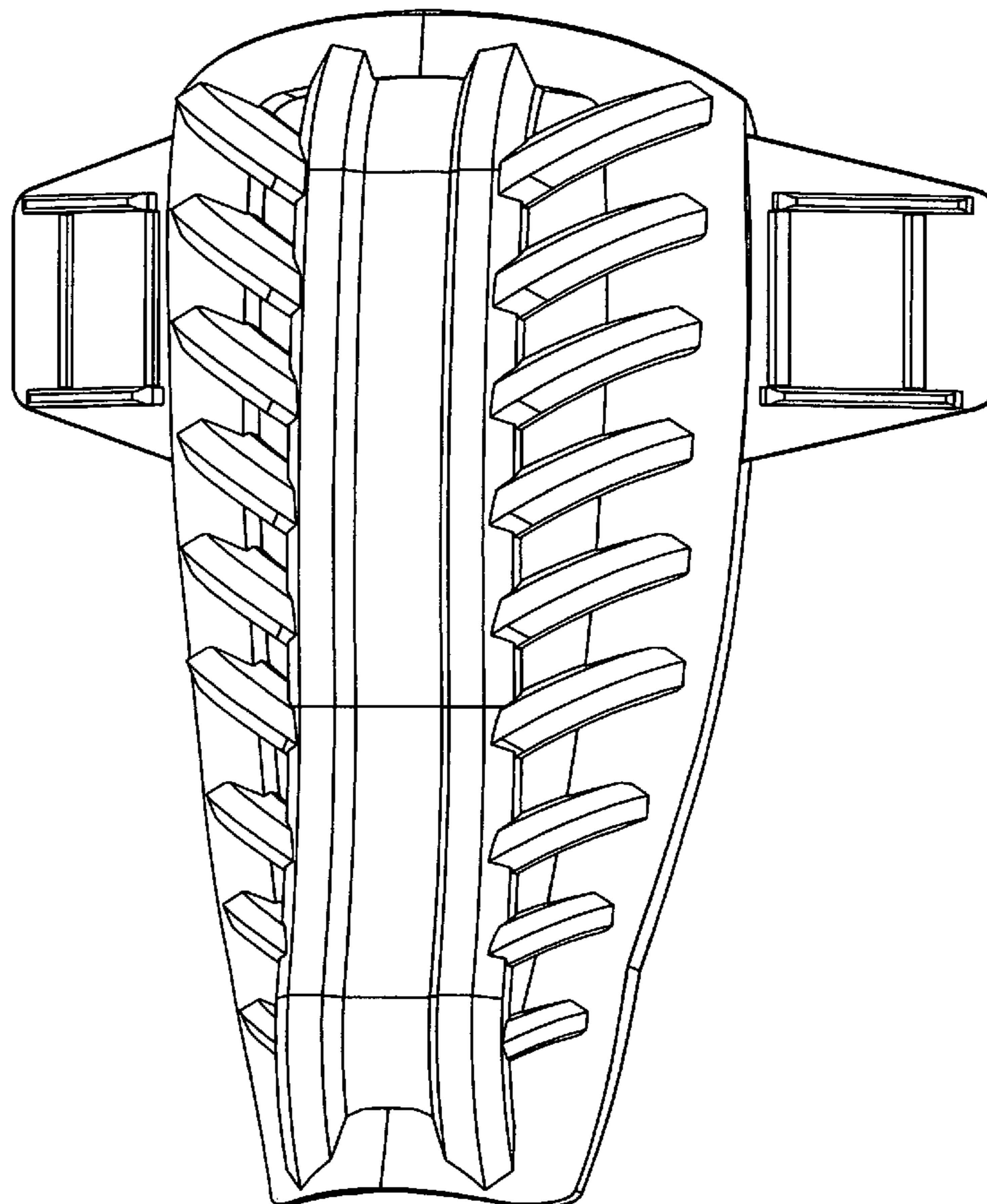
FIG. 2 is a right side view, the opposite being a mirror image thereof;

FIG. 3 is a front view thereof;

FIG. 4 is a left side view, the opposite being a mirror image thereof; and,

FIG. 5 is a bottom view thereof.

1 Claim, 2 Drawing Sheets



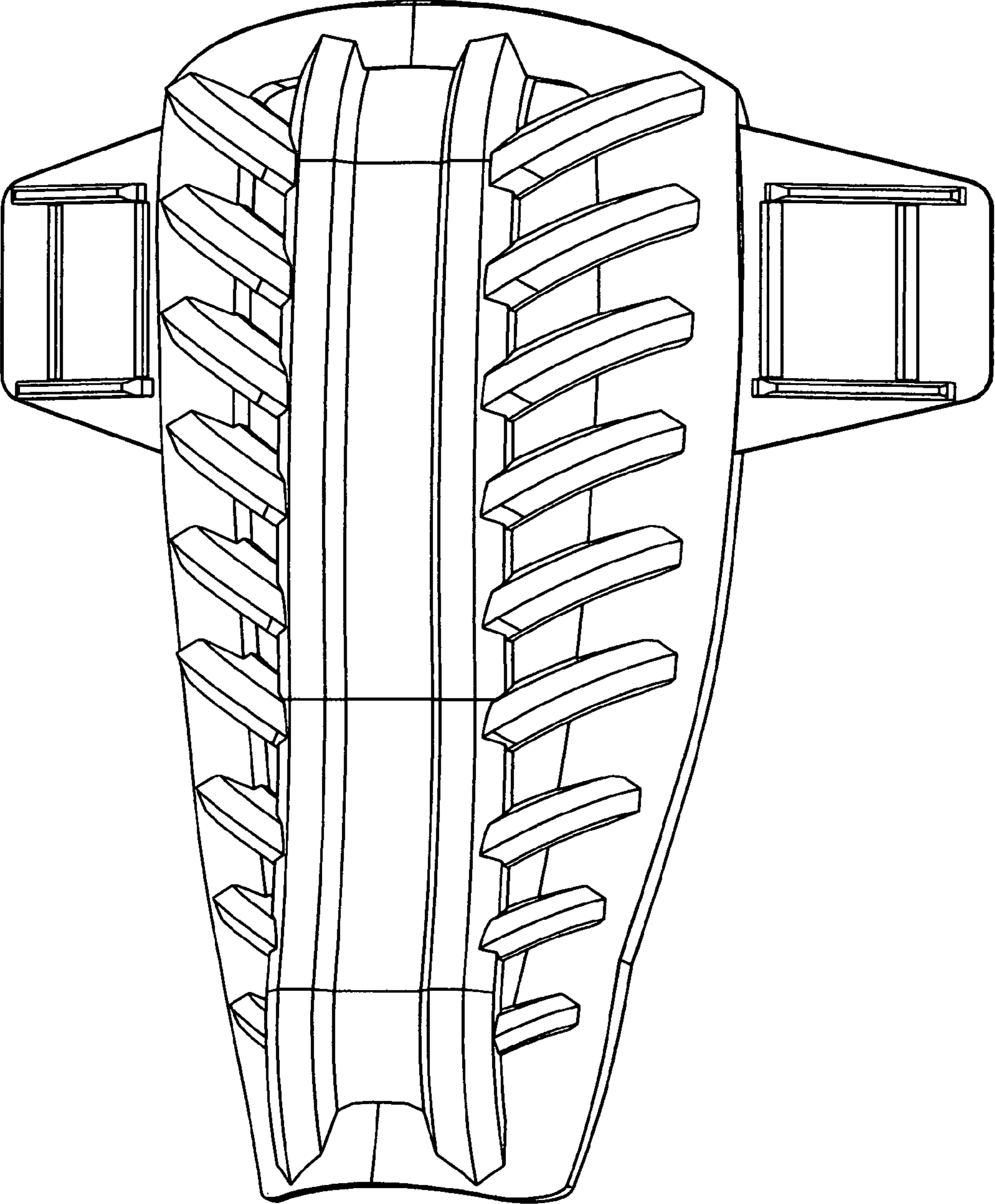


Fig. 1

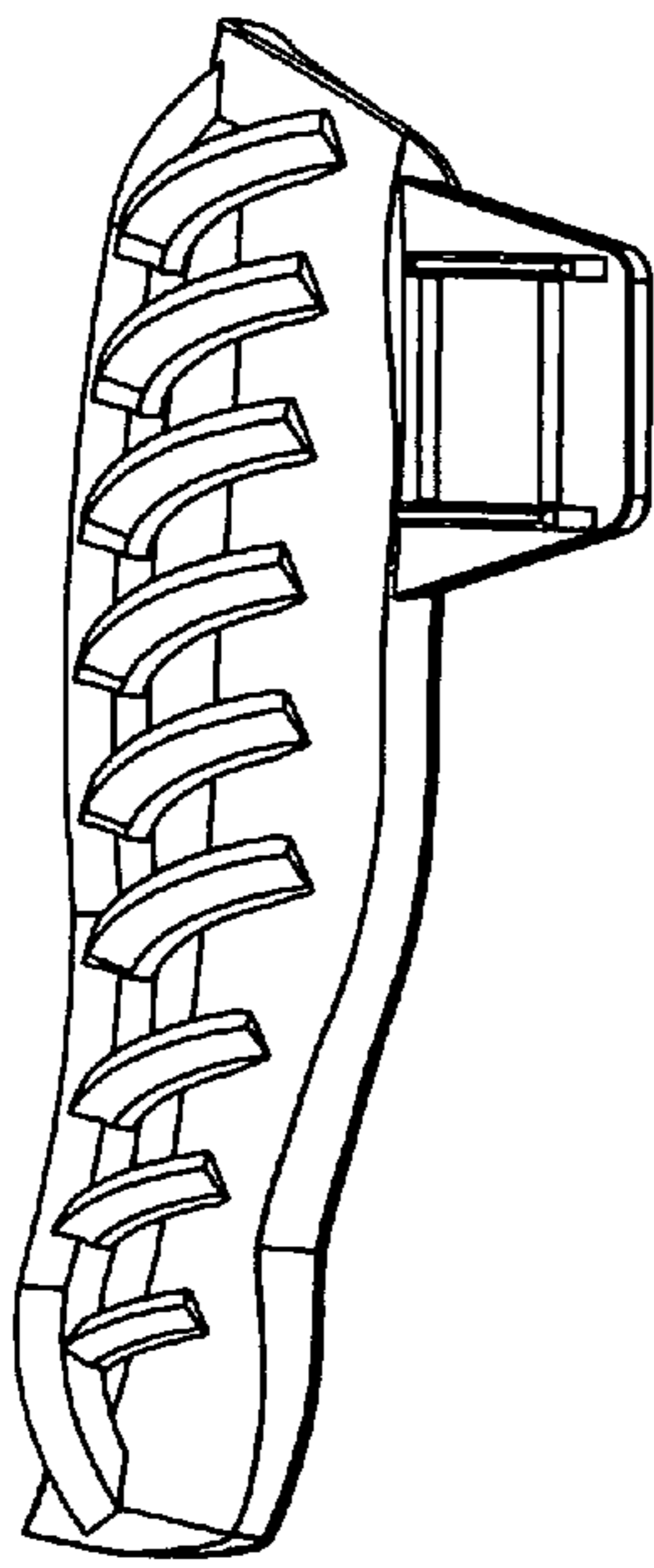


Fig. 2

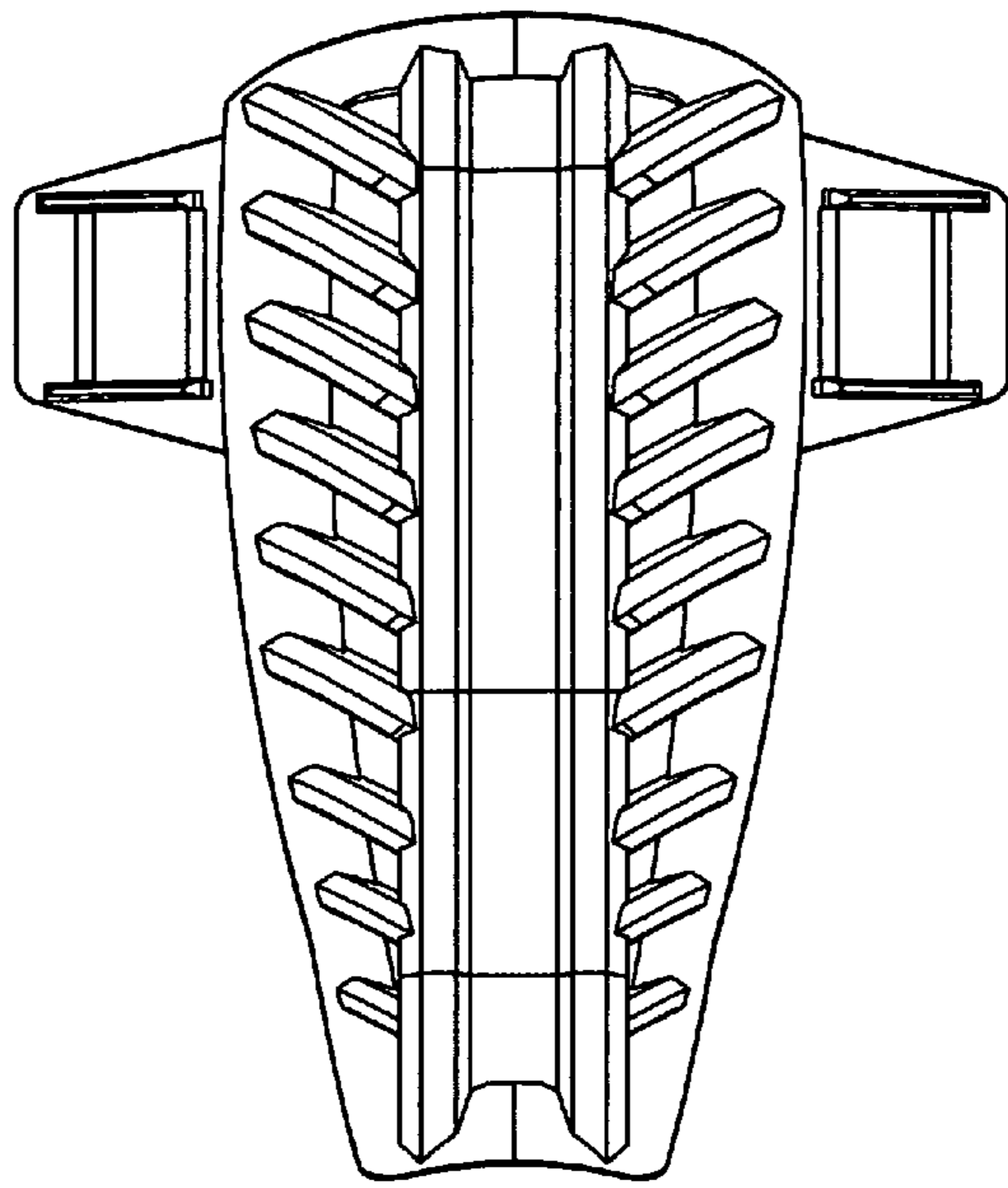


Fig. 3

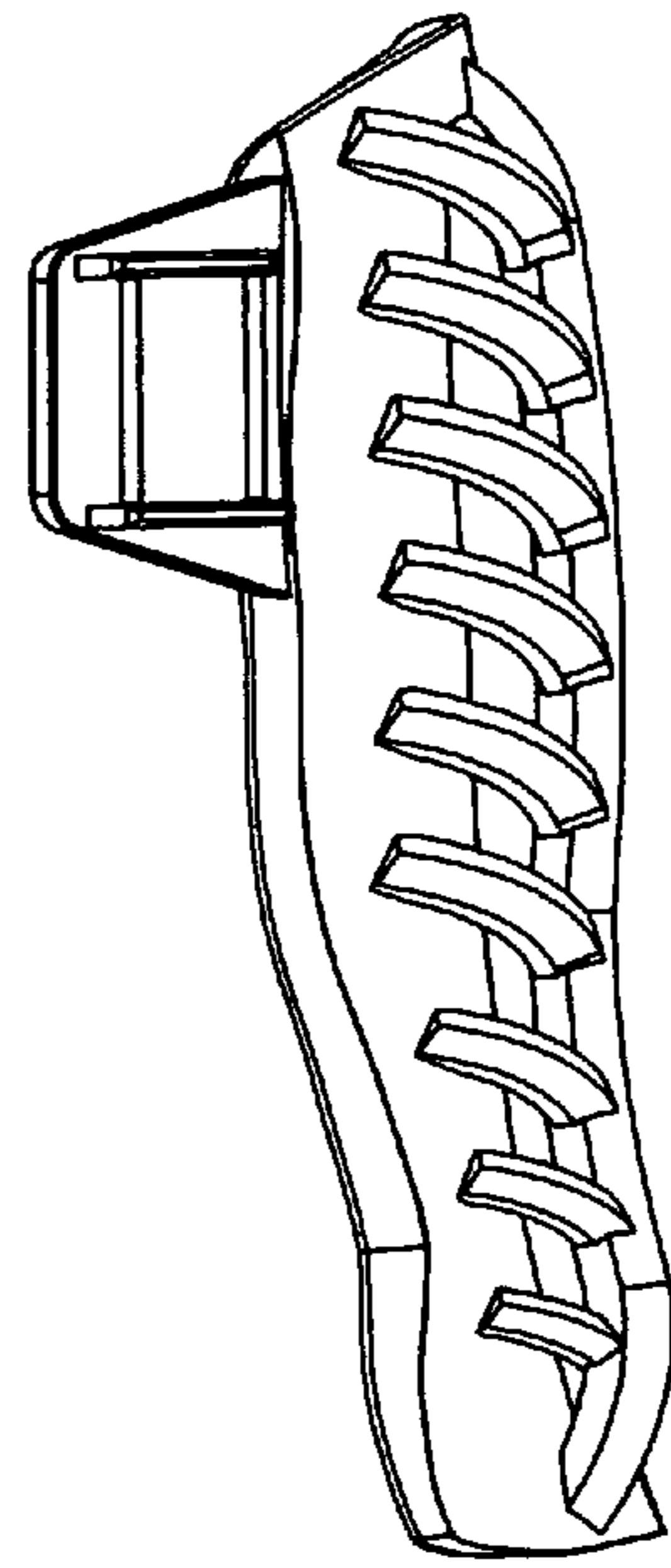


Fig. 4

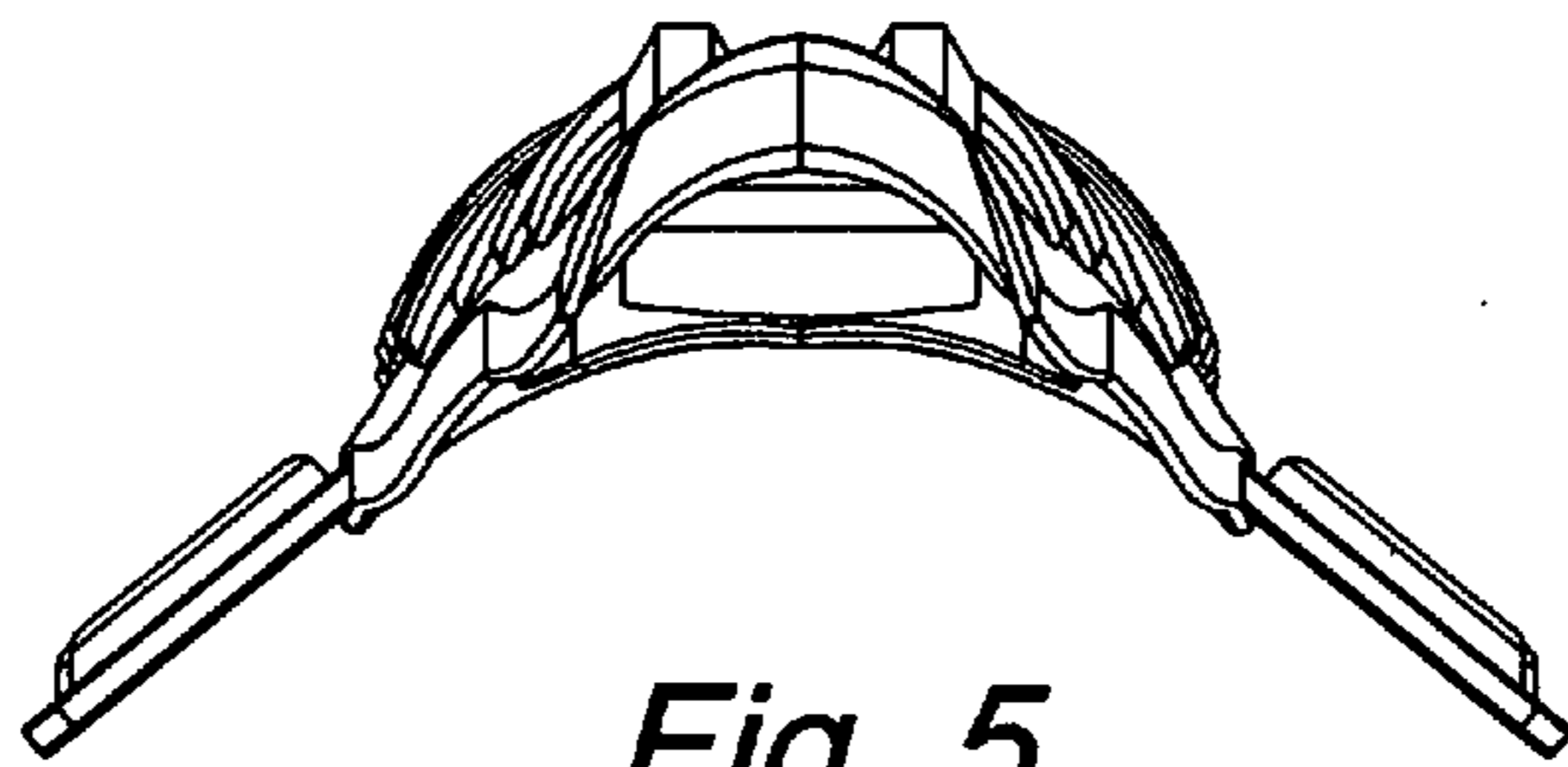


Fig. 5