

US00D593255S

(12) **United States Design Patent**  
**Hsu**

(10) **Patent No.:** **US D593,255 S**

(45) **Date of Patent:** **\*\* \*May 26, 2009**

(54) **HAND DRYER**

(75) Inventor: **Chi-Chin Hsu**, Taipei County (TW)

(73) Assignee: **Hokwang Industries Co., Ltd.**, Taipei County (TW)

(\*) Notice: This patent is subject to a terminal disclaimer.

(\*\*) Term: **14 Years**

(21) Appl. No.: **29/274,139**

(22) Filed: **Mar. 30, 2007**

(51) **LOC (9) Cl.** ..... **28-03**

(52) **U.S. Cl.** ..... **D28/54.1**

(58) **Field of Classification Search** ..... D28/12,  
D28/54.1, 58; 34/266, 201, 202; 392/381,  
392/380; D23/357, 361, 385

See application file for complete search history.

(56) **References Cited**

**U.S. PATENT DOCUMENTS**

- D292,325 S \* 10/1987 Maass ..... D28/12
- D292,326 S \* 10/1987 Maass ..... D28/12
- D294,740 S \* 3/1988 Yonezawa et al. .... D28/12
- D340,605 S \* 10/1993 Feigenbaum ..... D6/545

- D343,698 S \* 1/1994 Sharples ..... D28/13
- D416,418 S \* 11/1999 Kampe et al. .... D6/545
- D532,552 S \* 11/2006 Hsu ..... D28/54.1
- D536,831 S \* 2/2007 Hsu ..... D28/54.1

\* cited by examiner

*Primary Examiner*—Janice E Seeger

*Assistant Examiner*—Zenia I Bennett

(74) *Attorney, Agent, or Firm*—Muncy, Geissler, Olds & Lowe, PLLC

(57) **CLAIM**

The ornamental design for as “hand dryer,” shown and described.

**DESCRIPTION**

FIG. 1 is a perspective view of “hand dryer” showing my new design thereof;

FIG. 2 is a right side elevational view thereof;

FIG. 3 is a top plan view thereof;

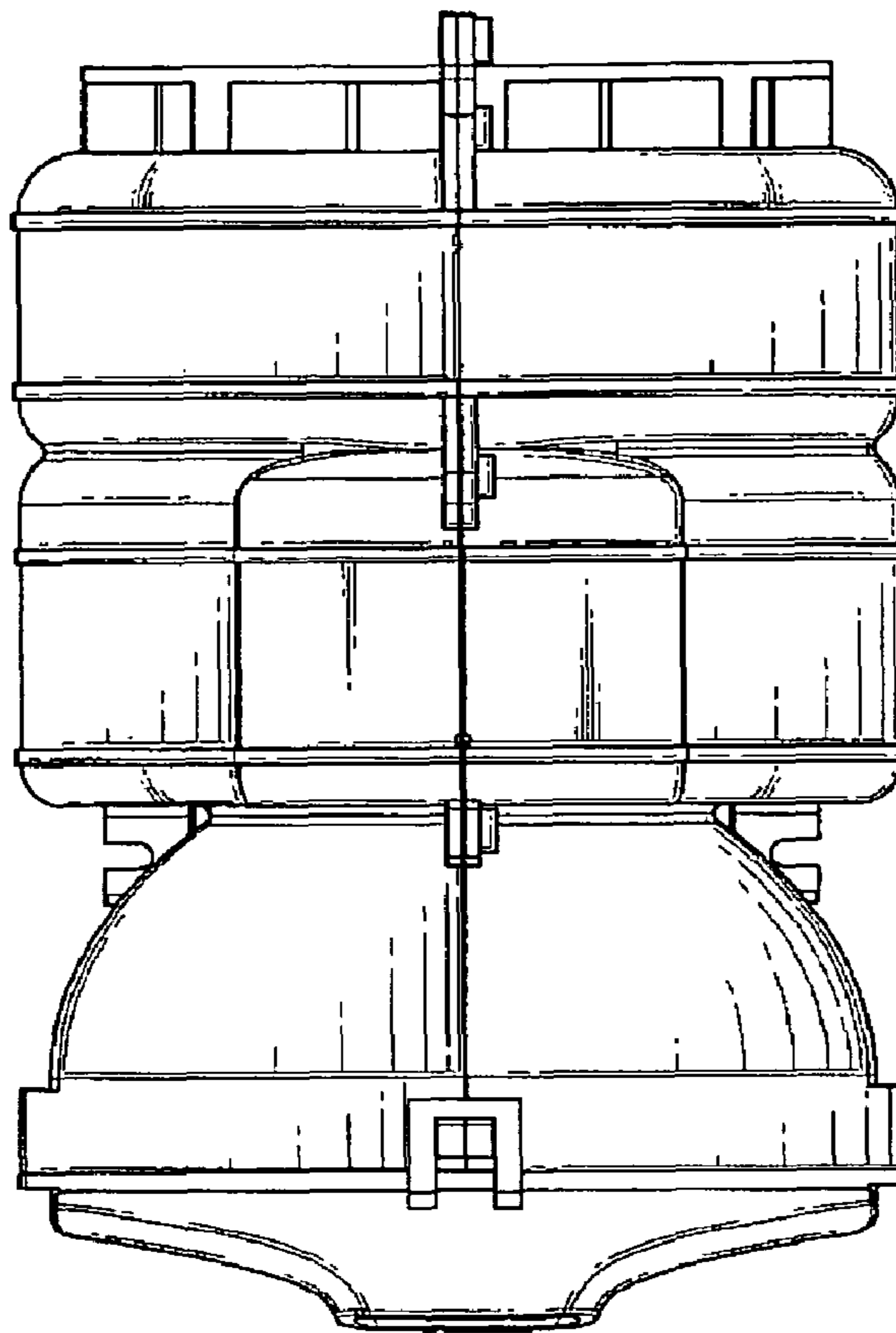
FIG. 4 is a front side elevational view thereof;

FIG. 5 is a bottom plan view thereof;

FIG. 6 is a left side elevational view thereof; and,

FIG. 7 is a rear side elevational view thereof.

**1 Claim, 5 Drawing Sheets**



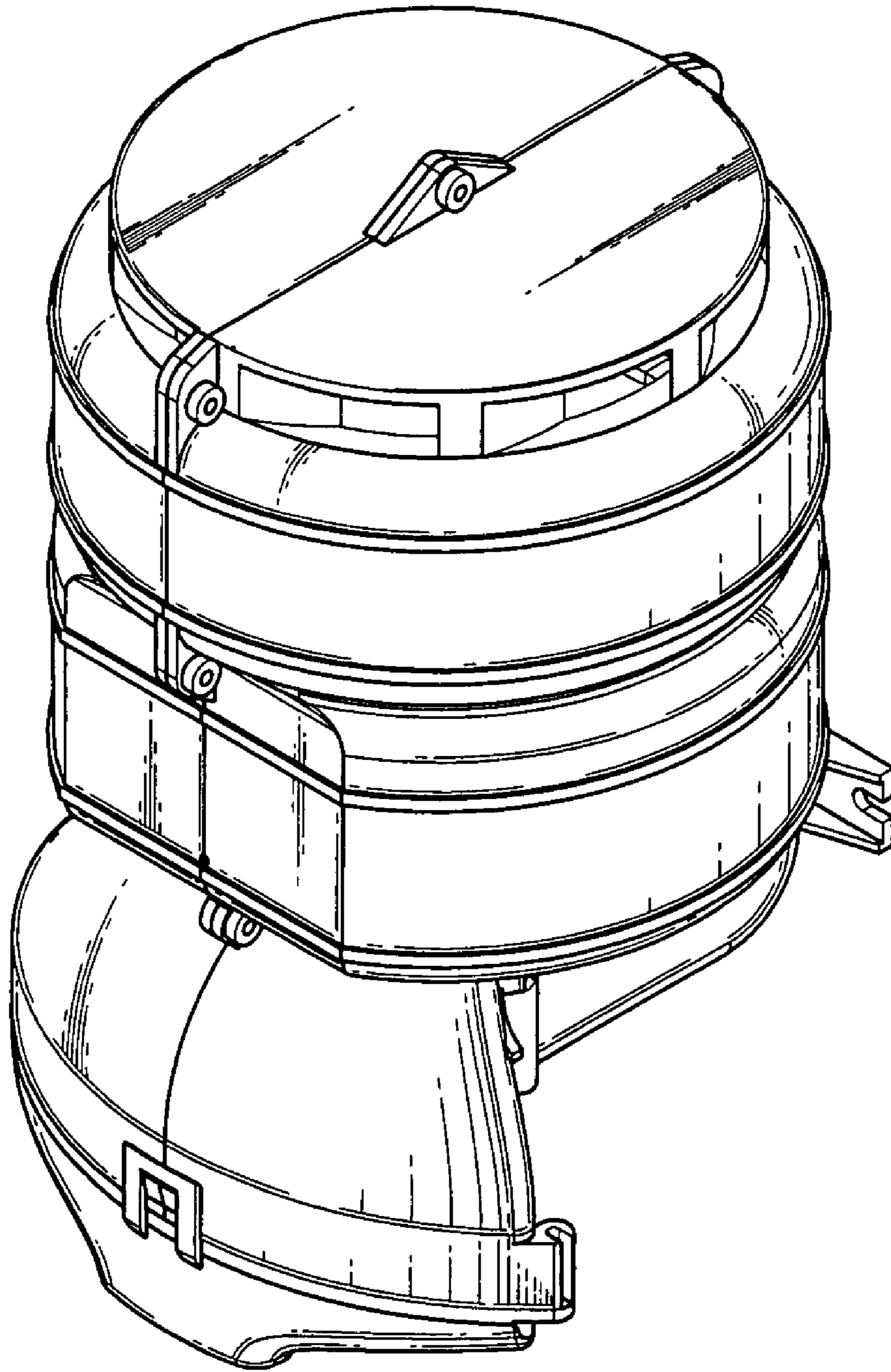


Fig. 1

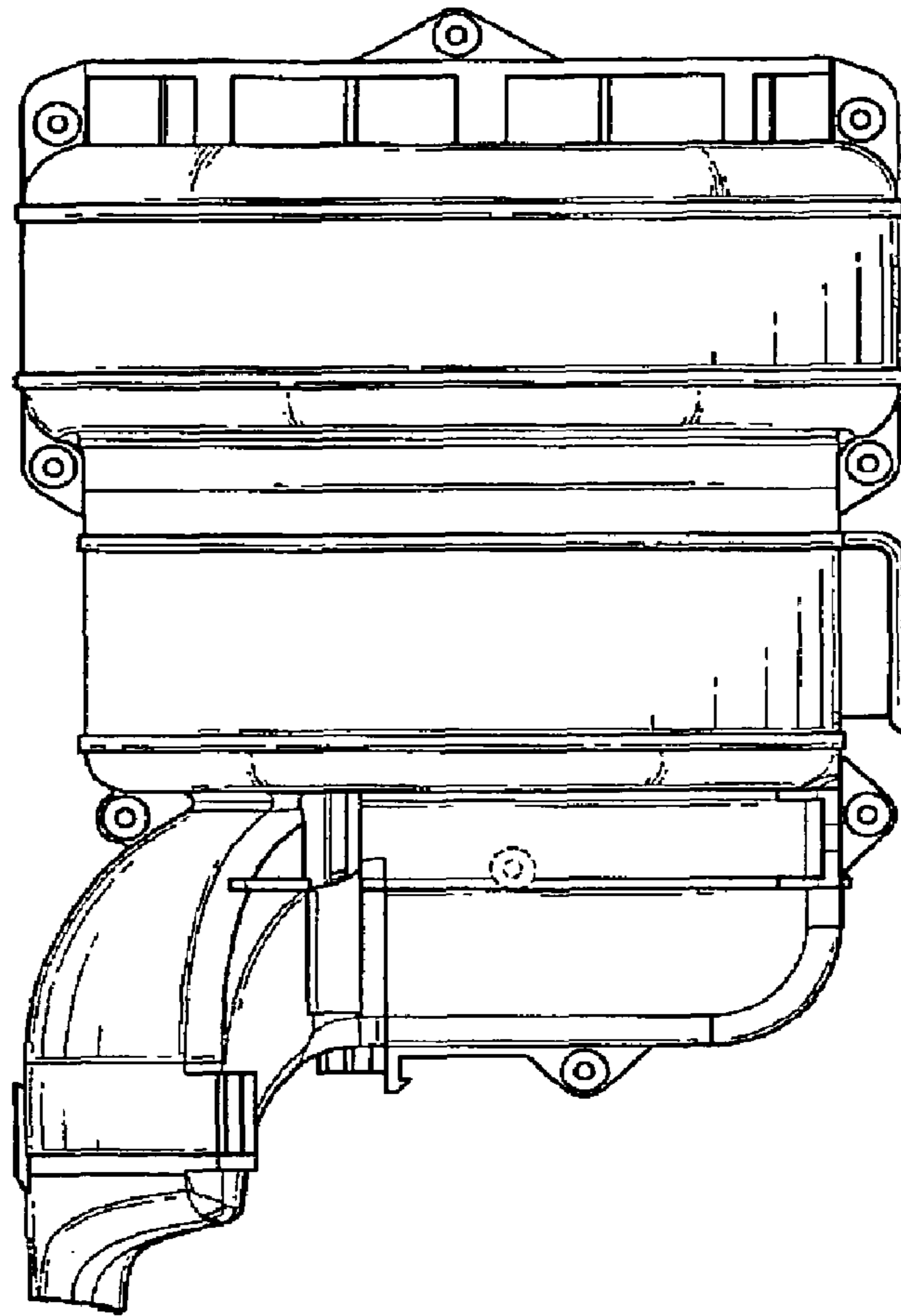


Fig. 2

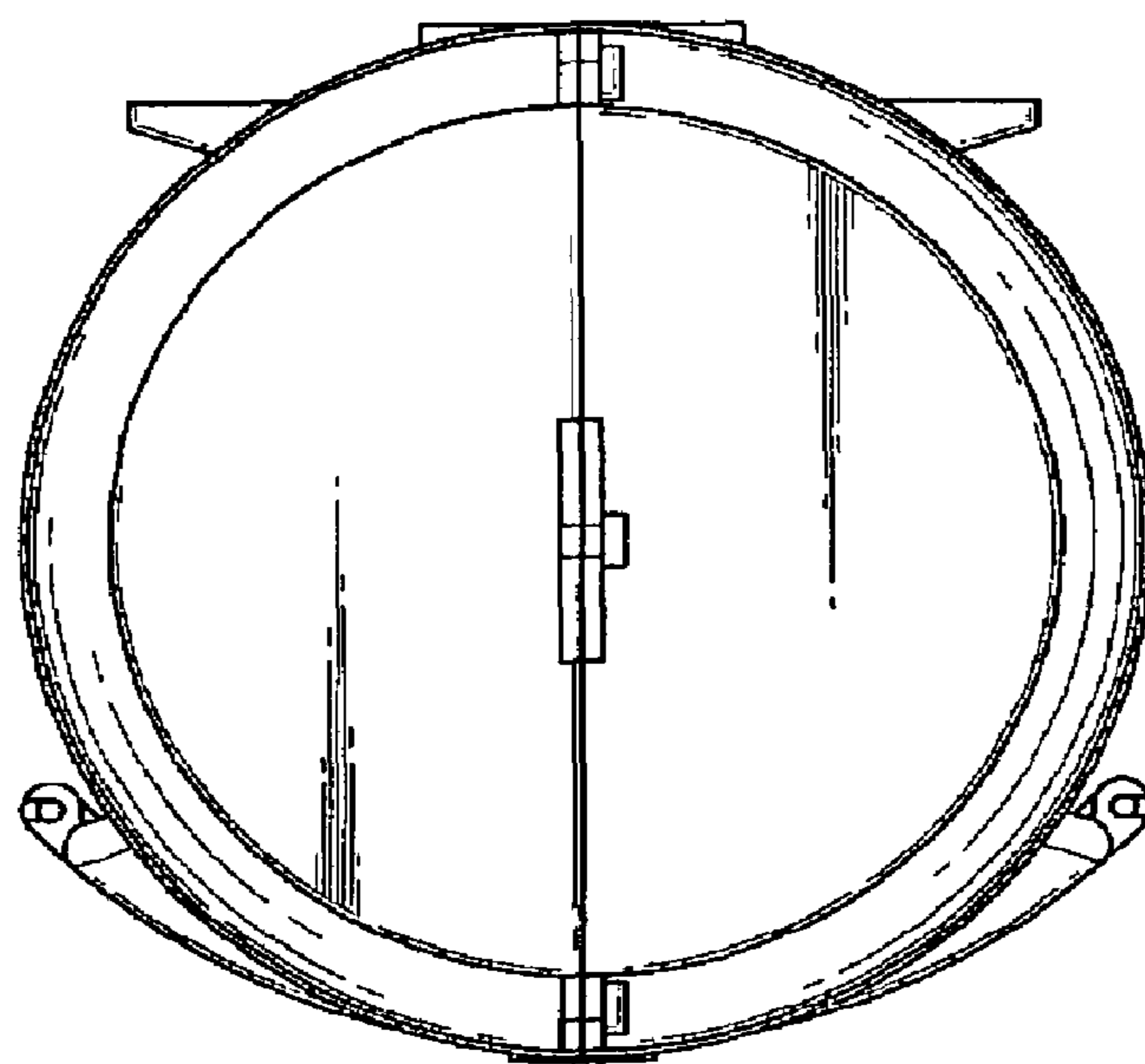


Fig. 3

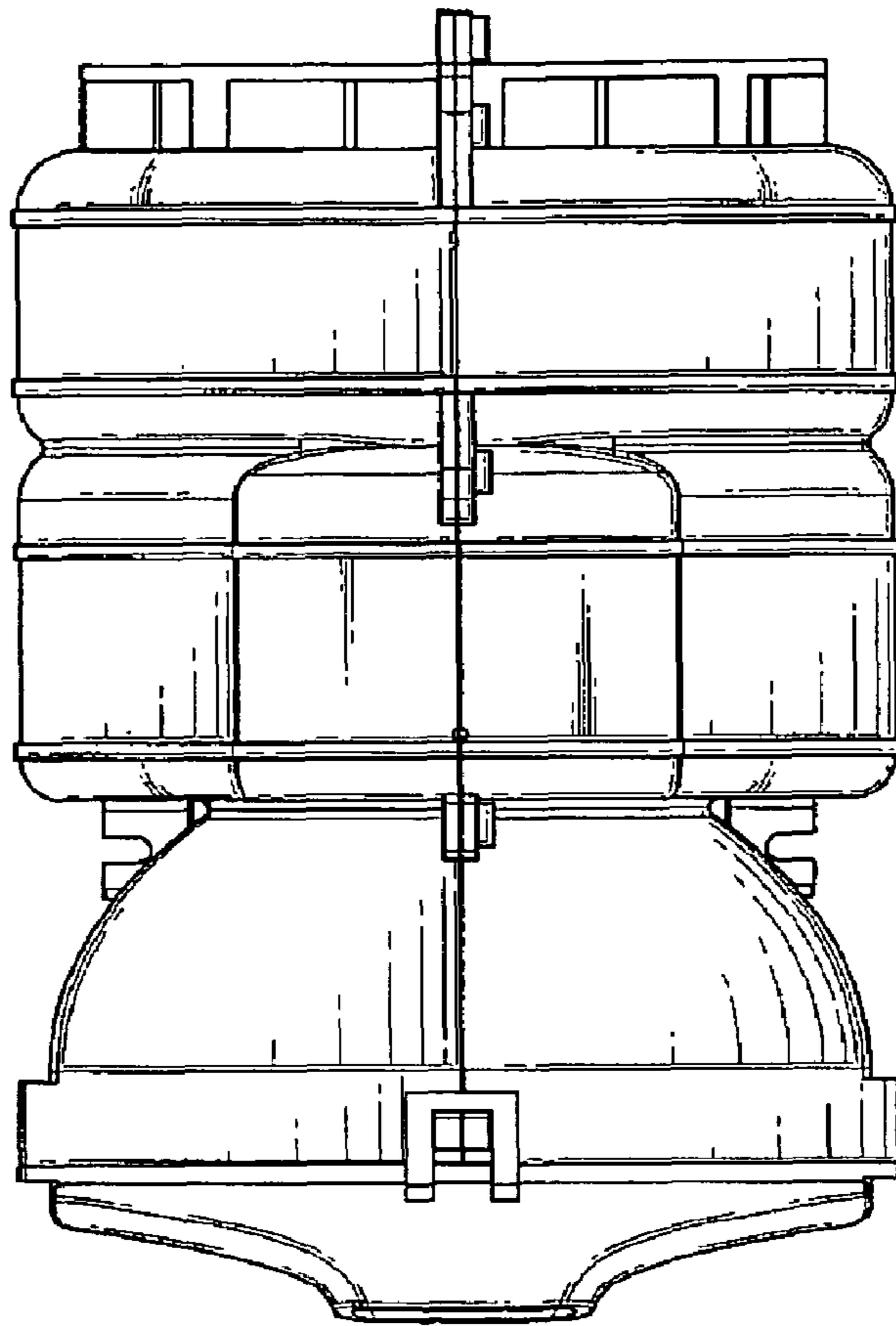


Fig. 4

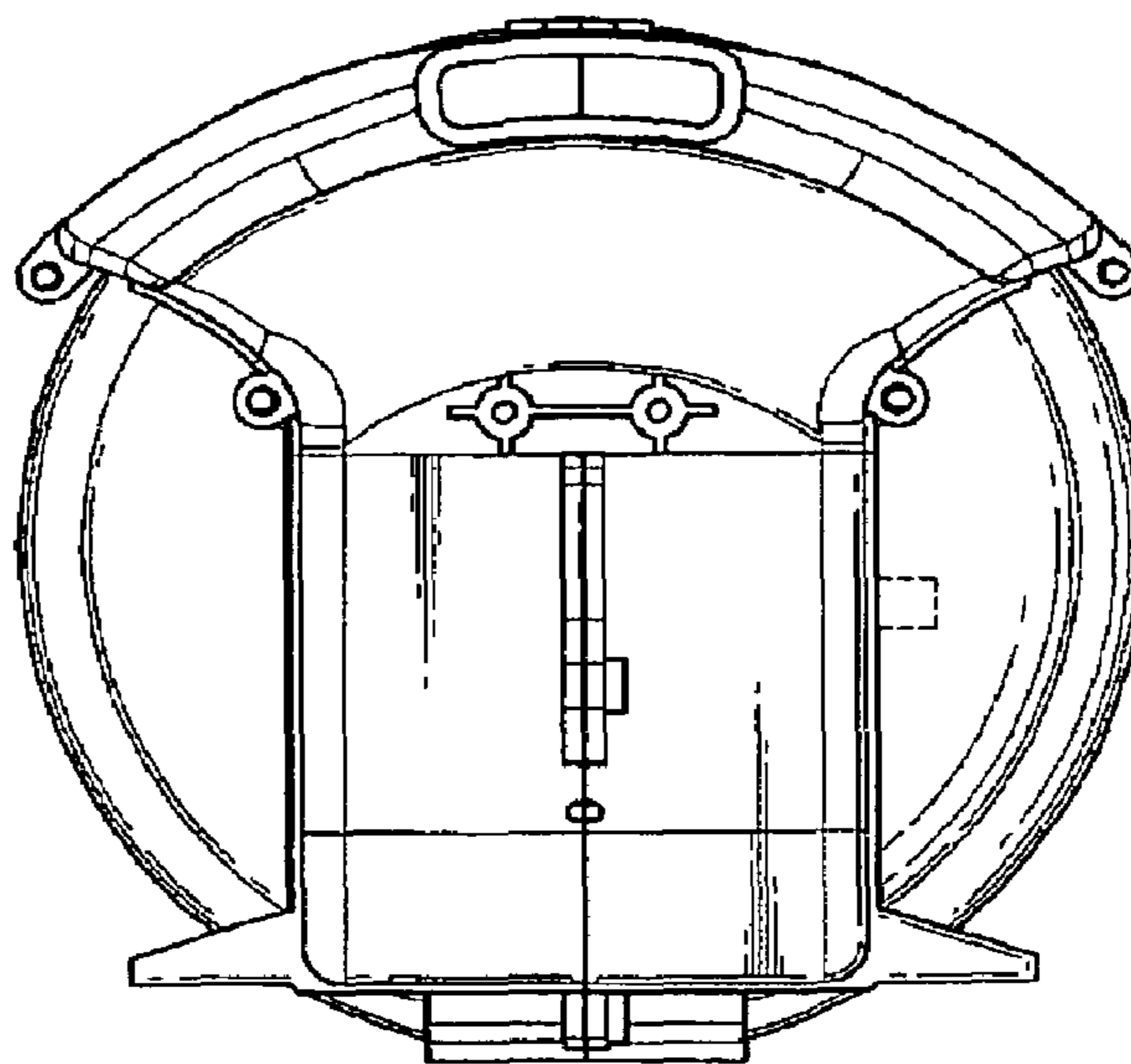


Fig. 5

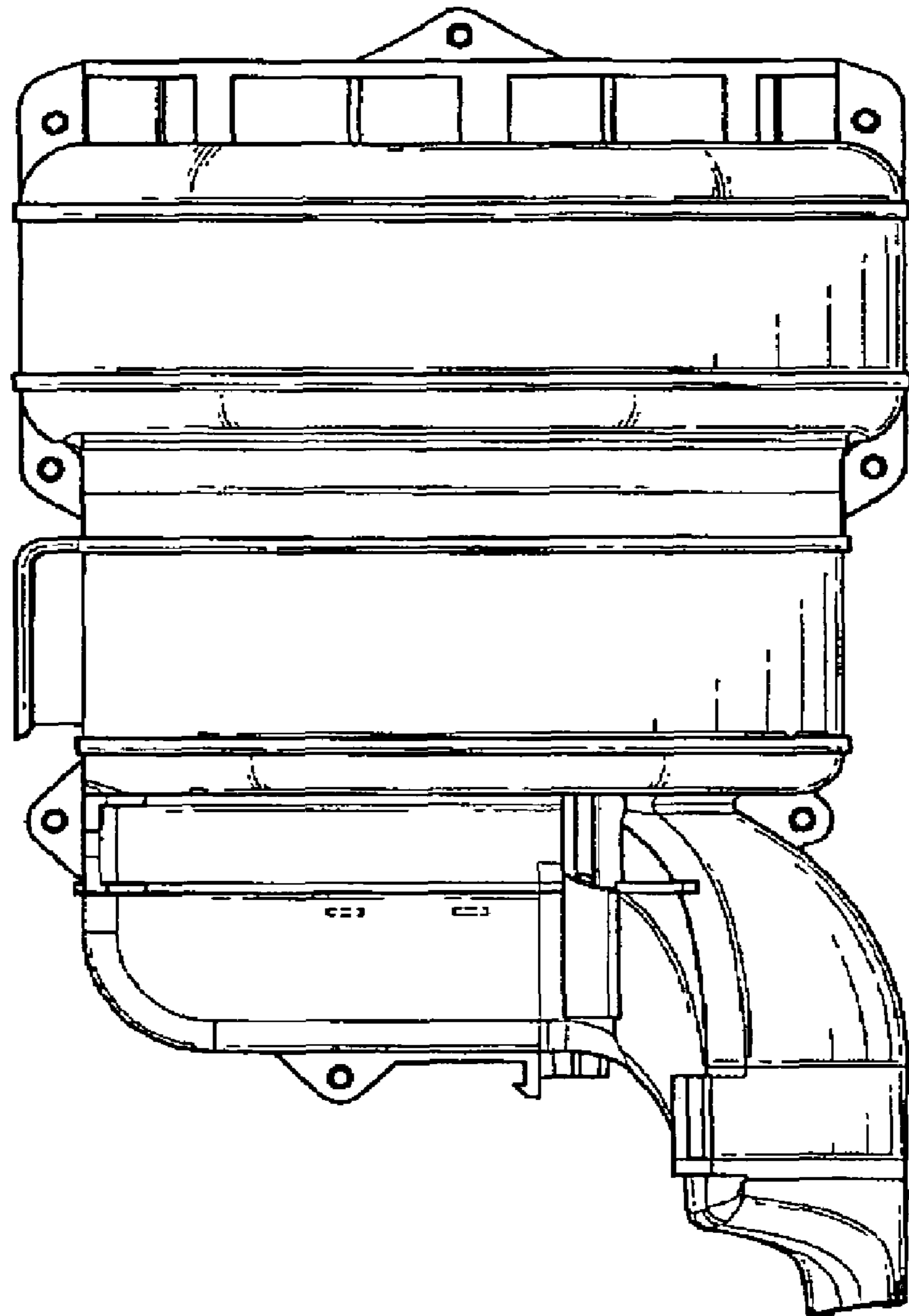


Fig. 6

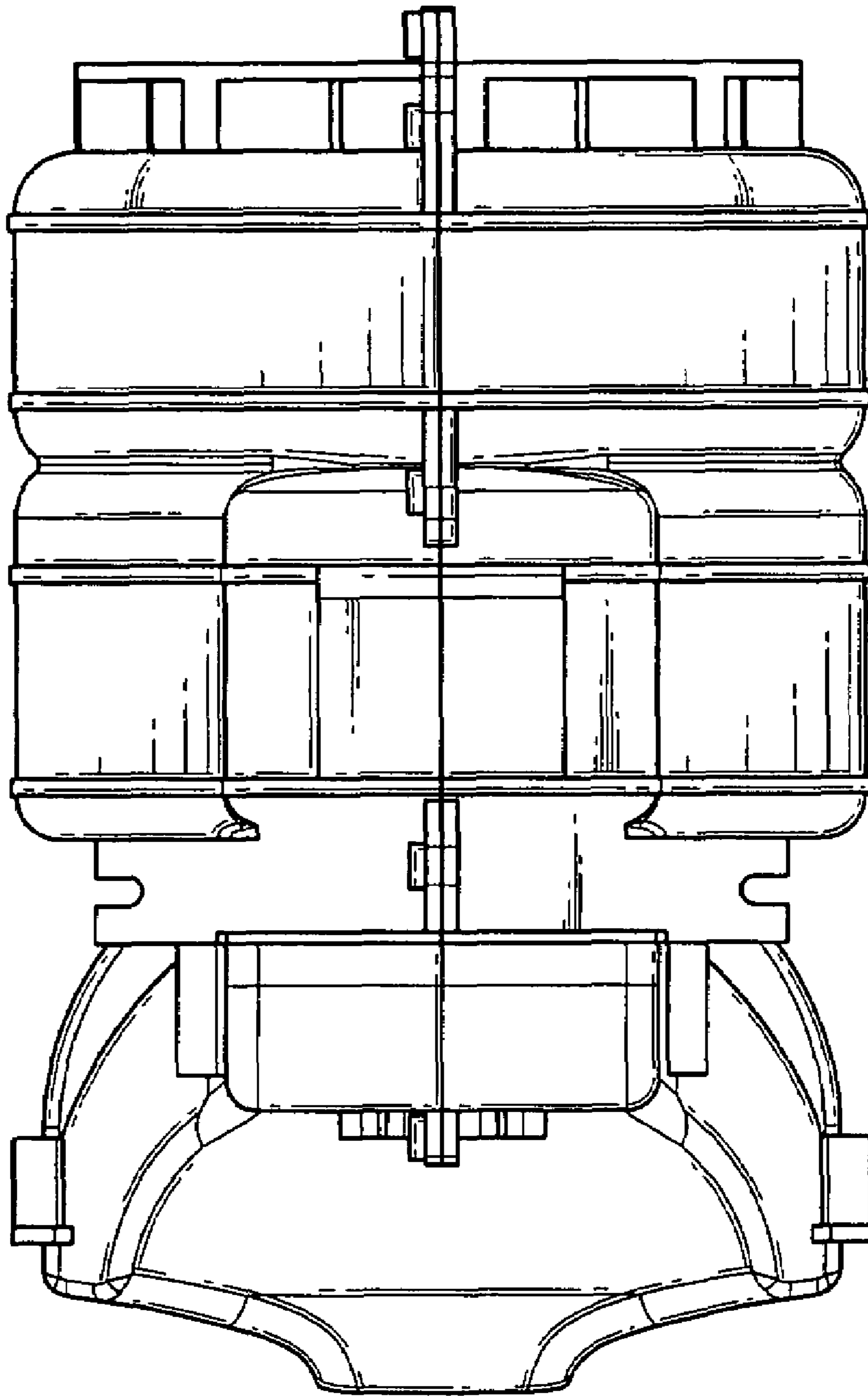


Fig. 7