



US00D593253S

(12) **United States Design Patent**
Tamsiran

(10) **Patent No.:** **US D593,253 S**
(45) **Date of Patent:** **** May 26, 2009**

(54) **TOTAL BODY SHAVER**

(75) Inventor: **Rafael Tamsiran**, Rotterdam (NL)

(73) Assignee: **Koninklijke Philips Electronics N.V.**,
Eindhoven (NL)

(**) Term: **14 Years**

(21) Appl. No.: **29/306,847**

(22) Filed: **Apr. 17, 2008**

(30) **Foreign Application Priority Data**

Oct. 16, 2007 (EM) 000808753-0001

(51) **LOC (9) Cl.** **28-03**

(52) **U.S. Cl.** **D28/51**

(58) **Field of Classification Search** D28/44,
D28/44.1, 49-54; 30/29.5, 32, 34.05, 34.1,
30/43-43.92, 44-45, 47-50, 84, 527
See application file for complete search history.

(56) **References Cited**

U.S. PATENT DOCUMENTS

D431,679 S * 10/2000 Jacobs D28/44.1

D496,492 S * 9/2004 McCambridge et al. D28/53
D518,236 S * 3/2006 Butcher D28/53
D519,678 S * 4/2006 Butcher D28/51
2003/0126744 A1* 7/2003 Lau et al. D30/43

* cited by examiner

Primary Examiner—Jennifer Rivard

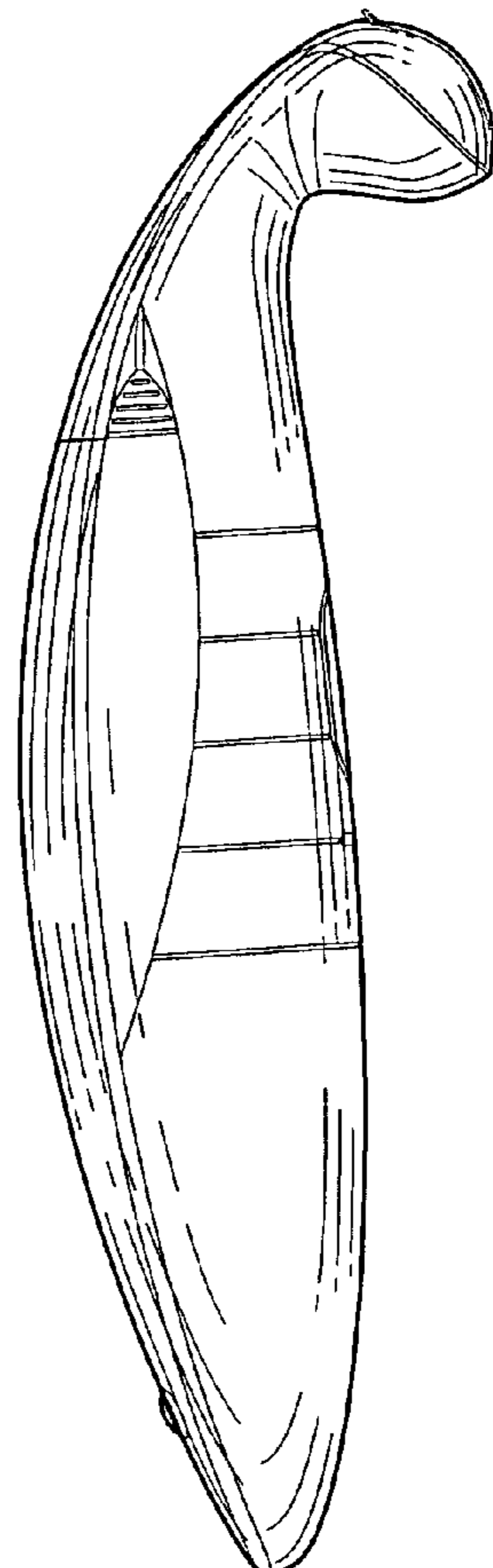
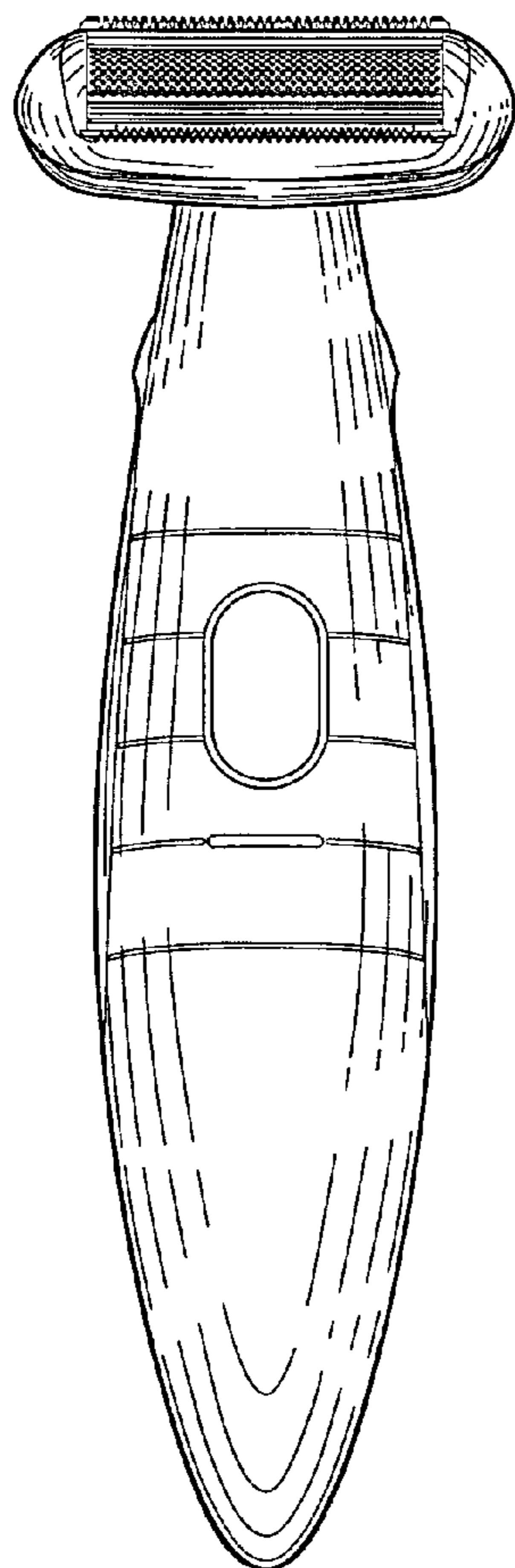
(57) **CLAIM**

The ornamental design for a total body shaver, as shown.

DESCRIPTION

FIG. 1 is a perspective view showing my design;
FIG. 2 is a front elevational view thereof;
FIG. 3 is a rear elevational view thereof;
FIG. 4 is a right side elevational view thereof;
FIG. 5 is a left side elevational view thereof;
FIG. 6 is a top plan view thereof; and,
FIG. 7 is a bottom plan view thereof.

1 Claim, 3 Drawing Sheets



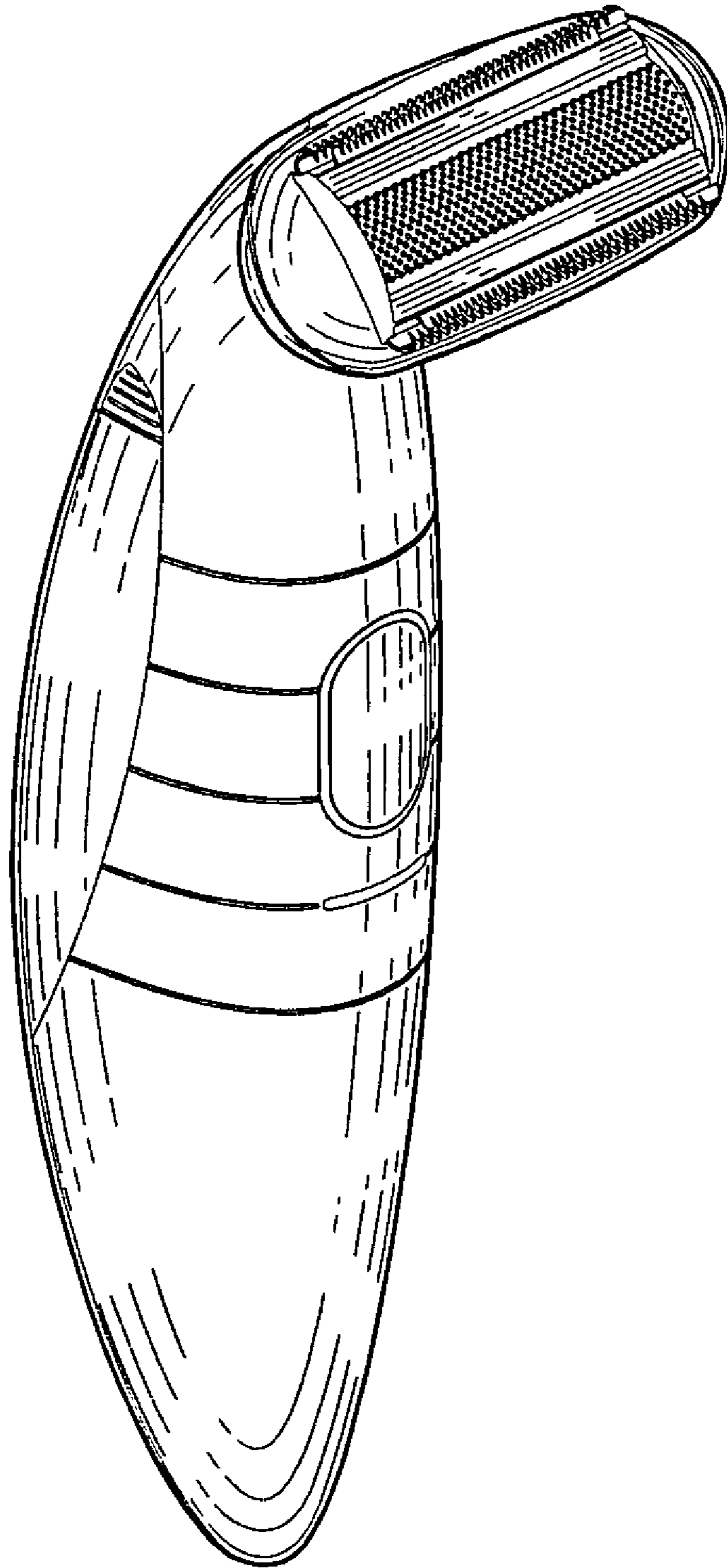


FIG. 1

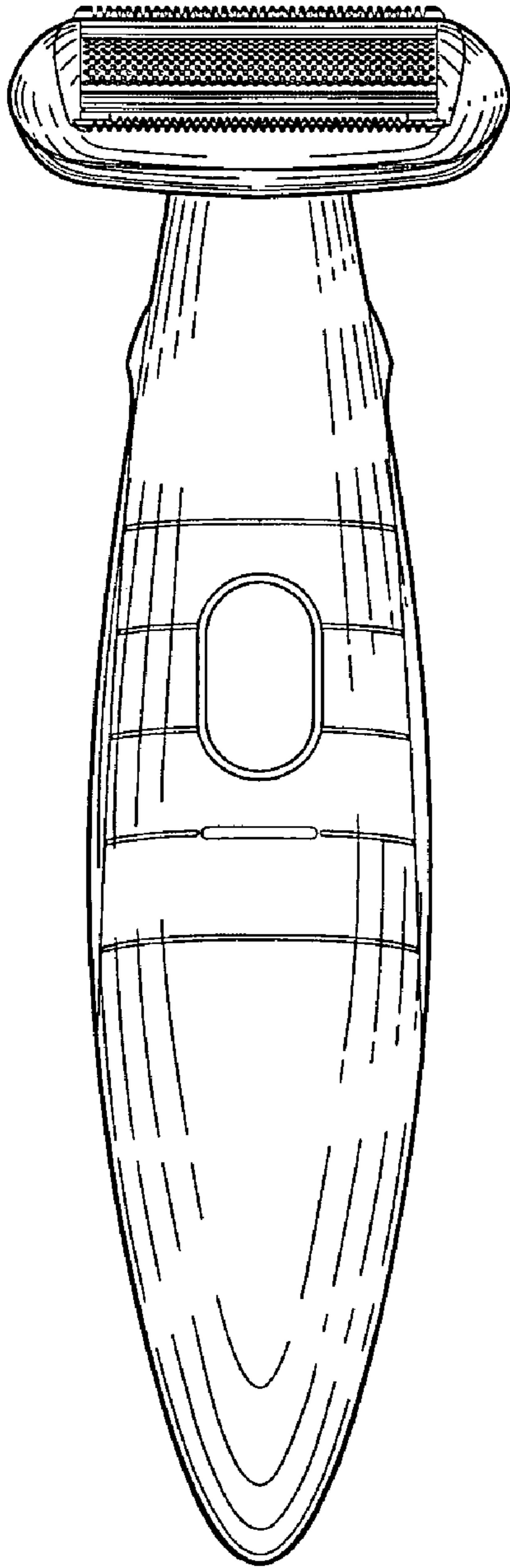


FIG. 2

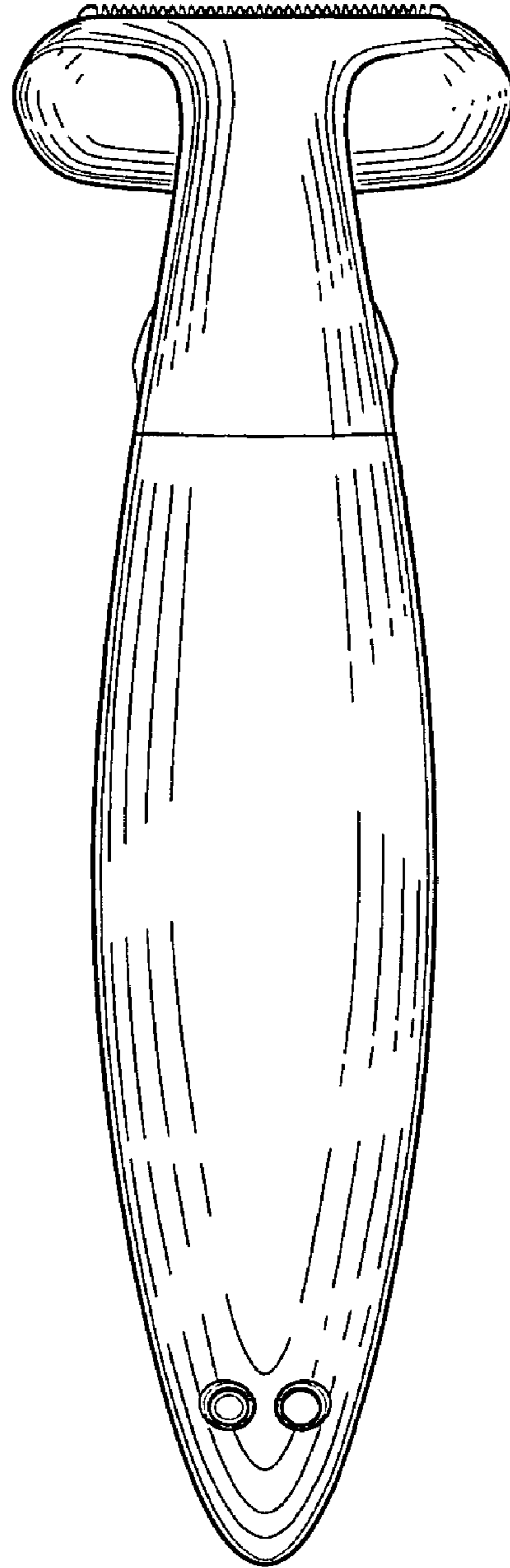


FIG. 3

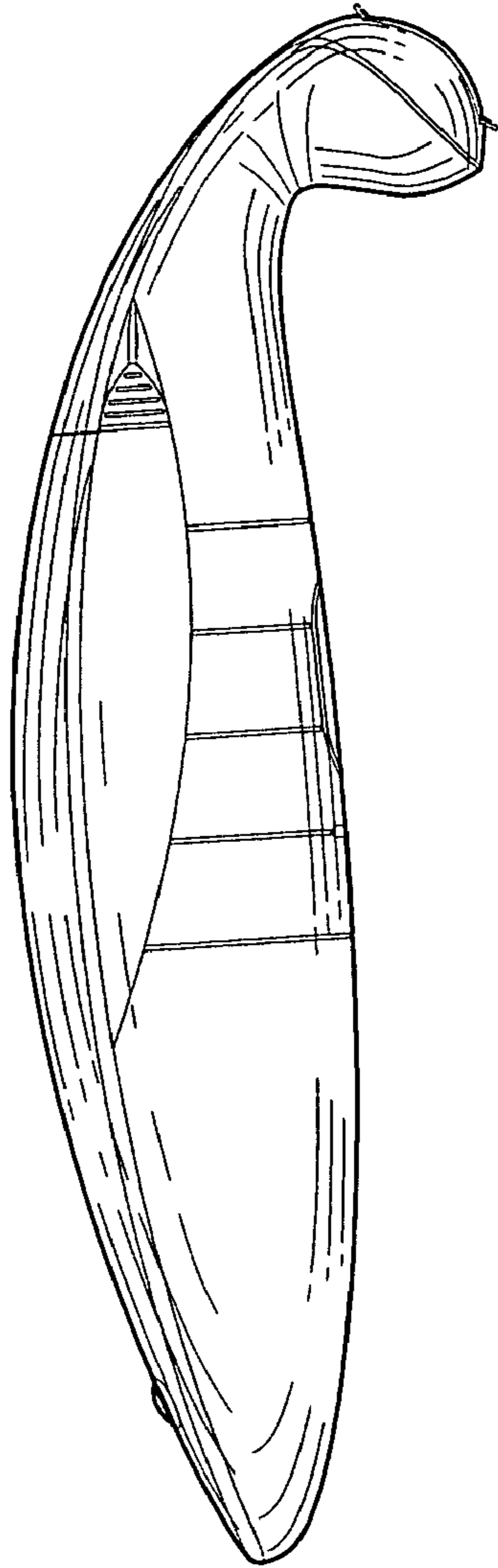


FIG. 4

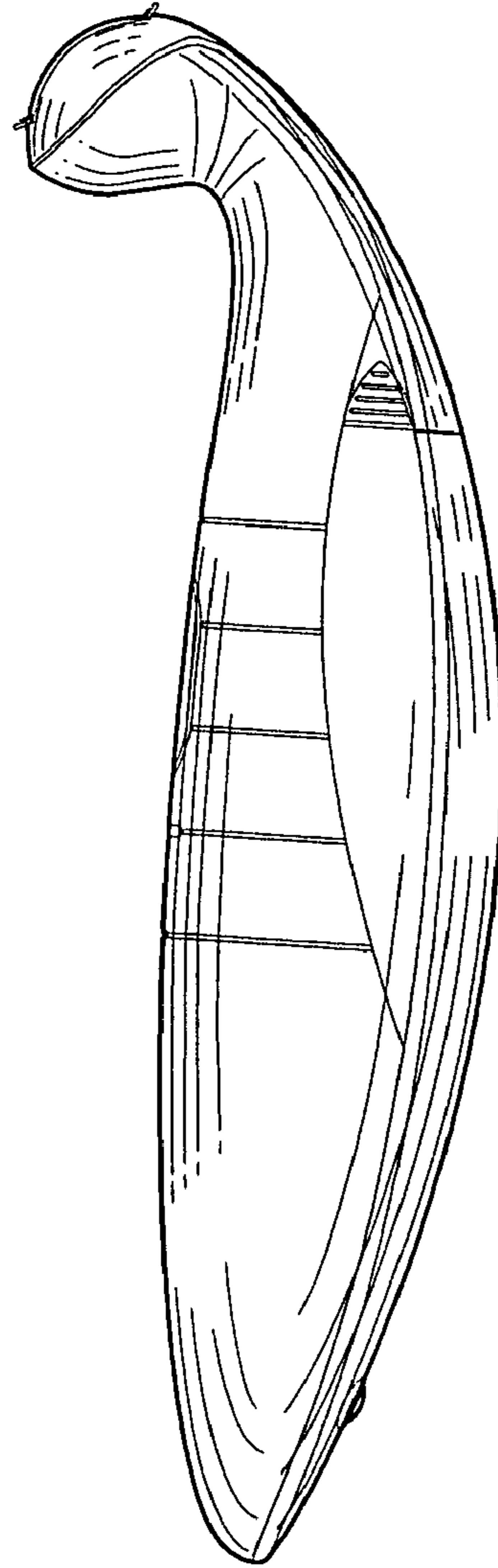


FIG. 5

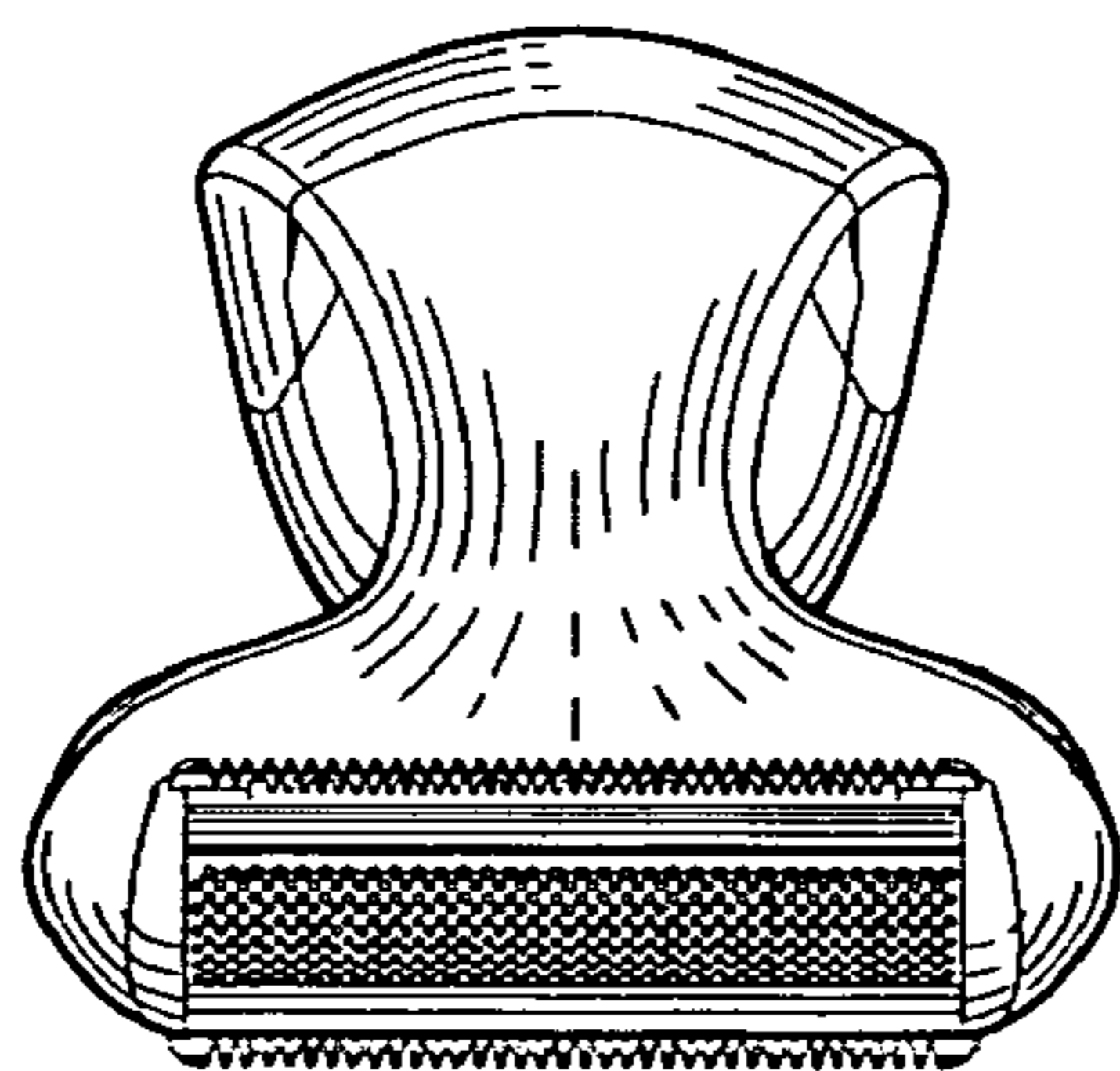


FIG. 6

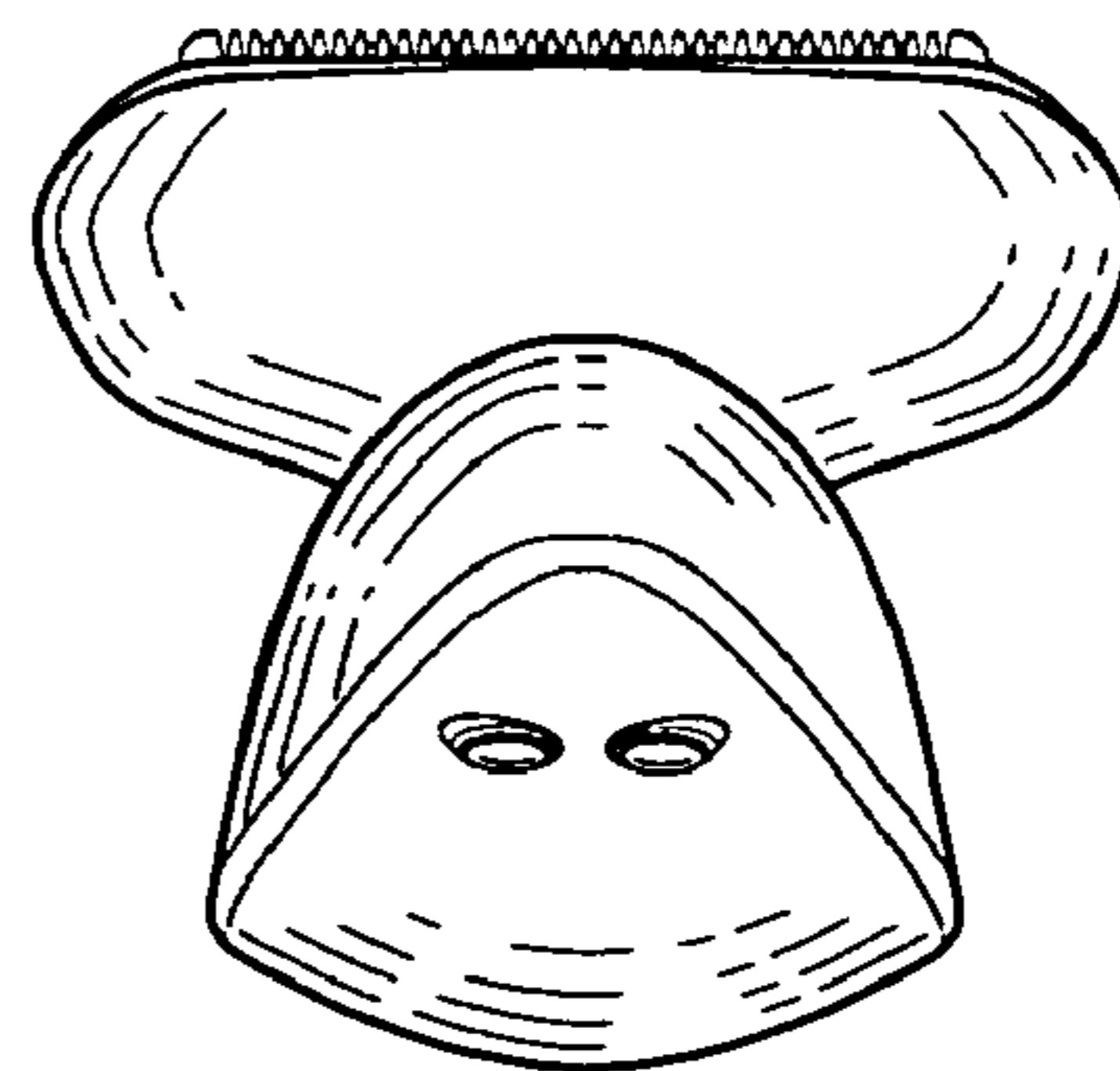


FIG. 7