



US00D593248S

(12) **United States Design Patent**
Quintin

(10) **Patent No.:** **US D593,248 S**

(45) **Date of Patent:** **** May 26, 2009**

(54) **HANGING ENGINE LAMP**

(76) **Inventor:** **Robert G. Quintin**, 18362 Atlas Rd.,
Rathdrum, ID (US) 83858

(**) **Term:** **14 Years**

(21) **Appl. No.:** **29/246,008**

(22) **Filed:** **Dec. 14, 2005**

(51) **LOC (9) Cl.** **26-99**

(52) **U.S. Cl.** **D26/138**

(58) **Field of Classification Search** D26/155,
D26/145, 71, 60, 68, 113, 118, 24, 61, 62,
D26/63, 64, 67, 72, 93, 138, 140, 141, 142,
D26/150, 151, 152, 153, 154, 65, 73, 76,
D26/42, 26, 74, 75, 83, 85, 88, 89, 90, 103,
D26/107, 109, 120, 125, 149; 362/147, 151,
362/153, 224, 257, 277, 280, 285, 287, 368,
362/370, 441, 432, 220, 249, 219, 225, 601,
362/607, 171, 641, 644, 657, 658, 364, 382,
362/403, 410, 431, 455, 809; 248/205.1;
D6/332, 350, 399, 459, 474, 477, 479, 480;
D25/63; D13/134, 136, 146; 439/241, 231,
439/441, 244; D8/363, 354, 349

See application file for complete search history.

(56) **References Cited**

U.S. PATENT DOCUMENTS

1,066,706	A *	7/1913	Caine	220/3.4
D123,932	S *	12/1940	Colt	D26/125
3,185,424	A *	5/1965	Sloop	248/205.1
3,493,807	A *	2/1970	Gilbert et al.	313/161
3,872,352	A *	3/1975	Sasaki et al.	345/67
3,977,933	A *	8/1976	Sadashige	156/250
4,263,639	A *	4/1981	Schacht	362/147
4,385,346	A *	5/1983	Spicer	362/382
4,716,344	A *	12/1987	Newell et al.	315/312
D300,290	S *	3/1989	Moberg	D7/701
5,354,208	A *	10/1994	Salaski et al.	439/230
D361,398	S *	8/1995	Neall, III	D26/67

D362,173	S *	9/1995	Skitromo	D8/350
D376,068	S *	12/1996	Coy	D7/388
D398,820	S *	9/1998	Cougar	D8/14
5,851,637	A *	12/1998	Sofie et al.	428/192
6,015,221	A *	1/2000	Bodell	362/427
6,162,079	A *	12/2000	Slazakowski	439/244
6,280,055	B1 *	8/2001	Merko	362/235
6,406,194	B1 *	6/2002	Neale et al.	385/76
6,474,846	B1 *	11/2002	Kelmelis et al.	362/365
6,505,960	B2 *	1/2003	Schubert et al.	362/365
D472,661	S *	4/2003	Lee	D26/80
6,679,726	B1 *	1/2004	Tunn et al.	439/565
D510,151	S *	9/2005	Rashidi	D26/74
7,011,439	B1 *	3/2006	Kane et al.	362/554
7,063,445	B2 *	6/2006	Wang et al.	362/368
D533,547	S *	12/2006	Sergi	D14/238
D535,423	S *	1/2007	Mier-Langner et al.	D26/63
D551,038	S *	9/2007	Evaimalo et al.	D7/708
2005/0185407	A1 *	8/2005	Huang et al.	362/287

* cited by examiner

Primary Examiner—Cathron C Brooks

Assistant Examiner—Kevin K Rudzinski

(74) *Attorney, Agent, or Firm*—Farrell Patent Law PC; Mark Farrell

(57)

CLAIM

The ornamental design for a hanging engine lamp, as shown and described.

DESCRIPTION

FIG. 1 is a perspective front, top, and right side view of the hanging engine lamp.

FIG. 2 is a front view of the hanging engine lamp.

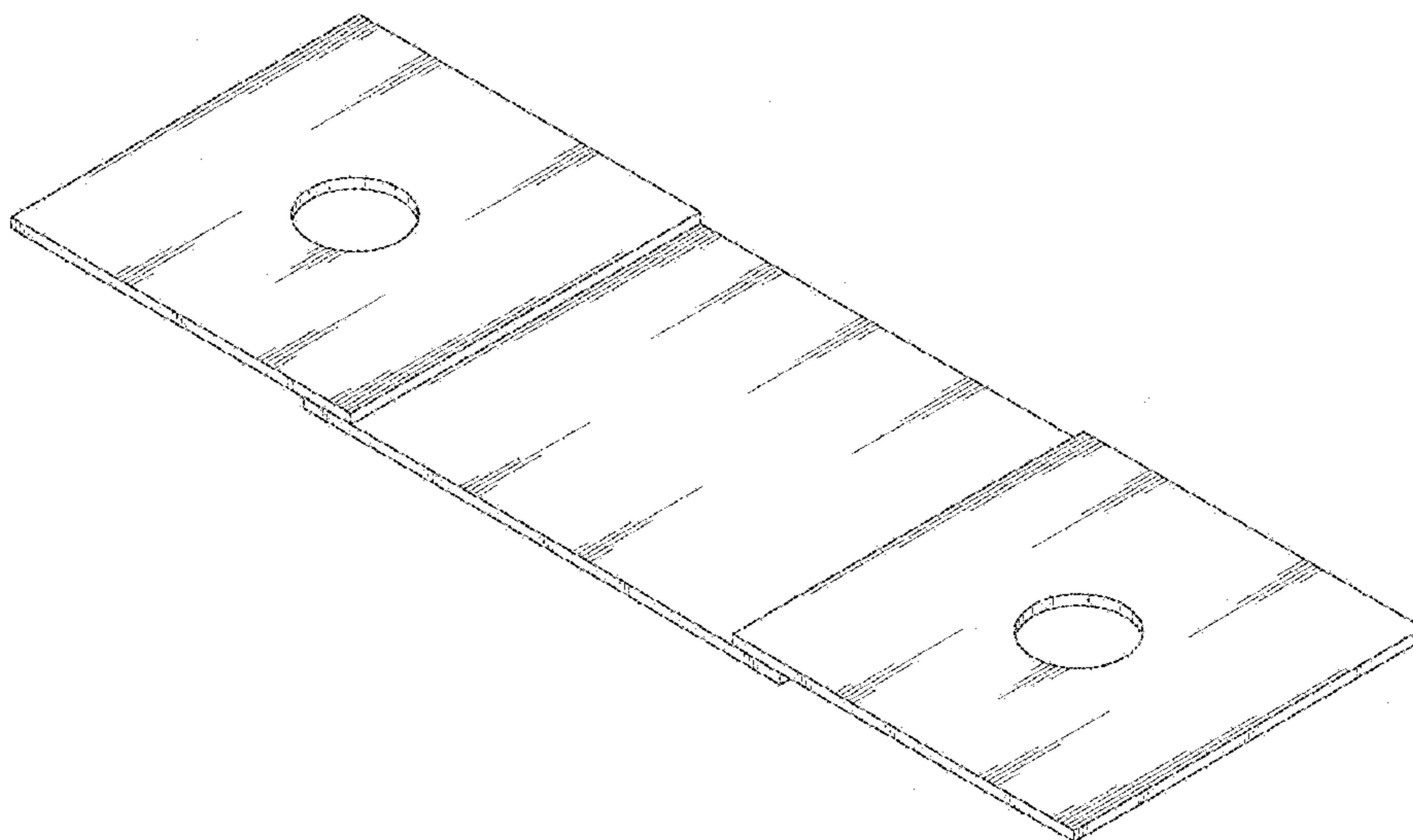
FIG. 3 is a side view of the hanging engine lamp.

FIG. 4 is a top view of the hanging engine lamp; and,

FIG. 5 is a bottom view of the hanging engine lamp.

The broken line showing is included for the purpose of illustration only and forms no part of the claimed design.

1 Claim, 3 Drawing Sheets



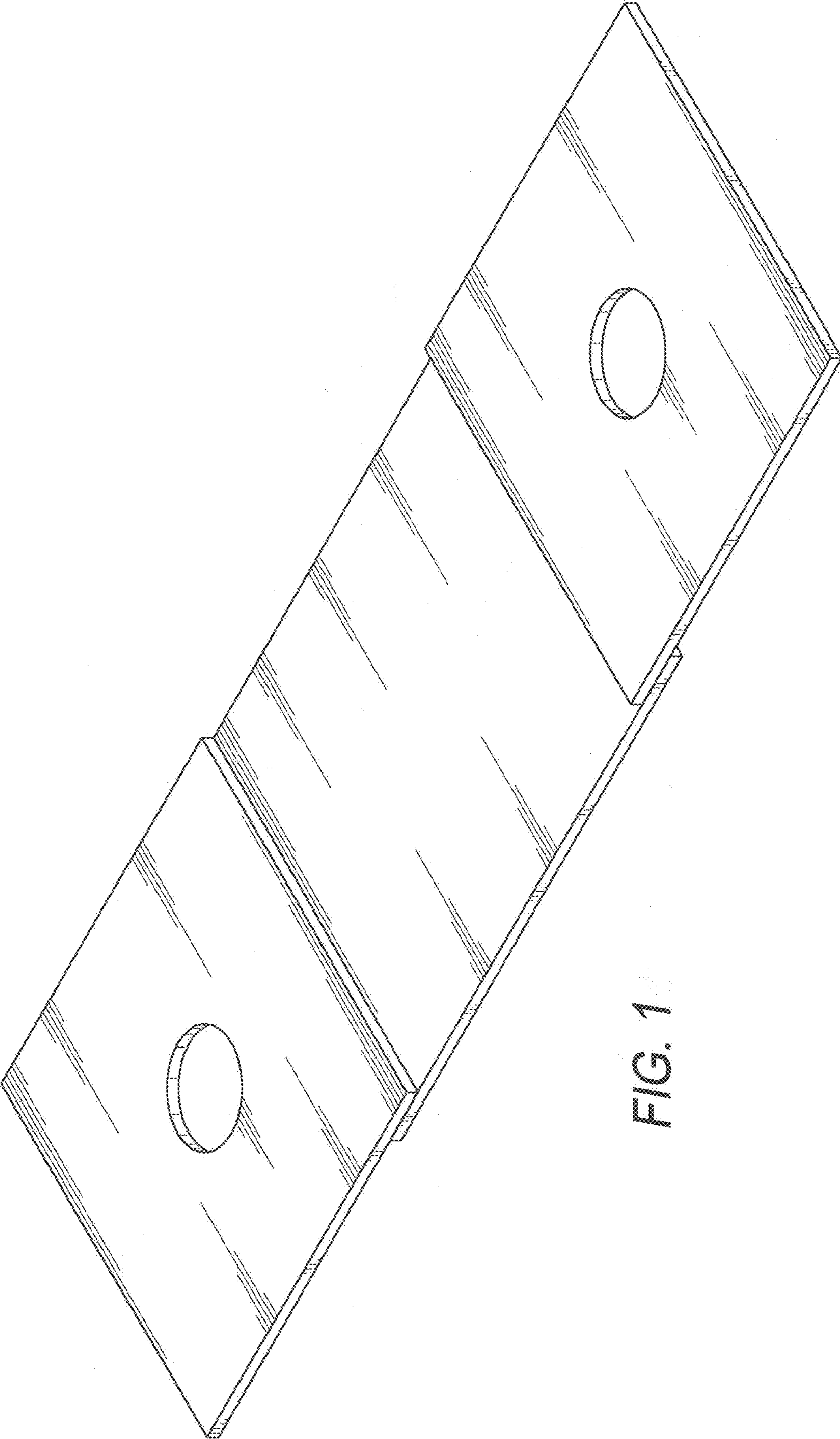


FIG. 1

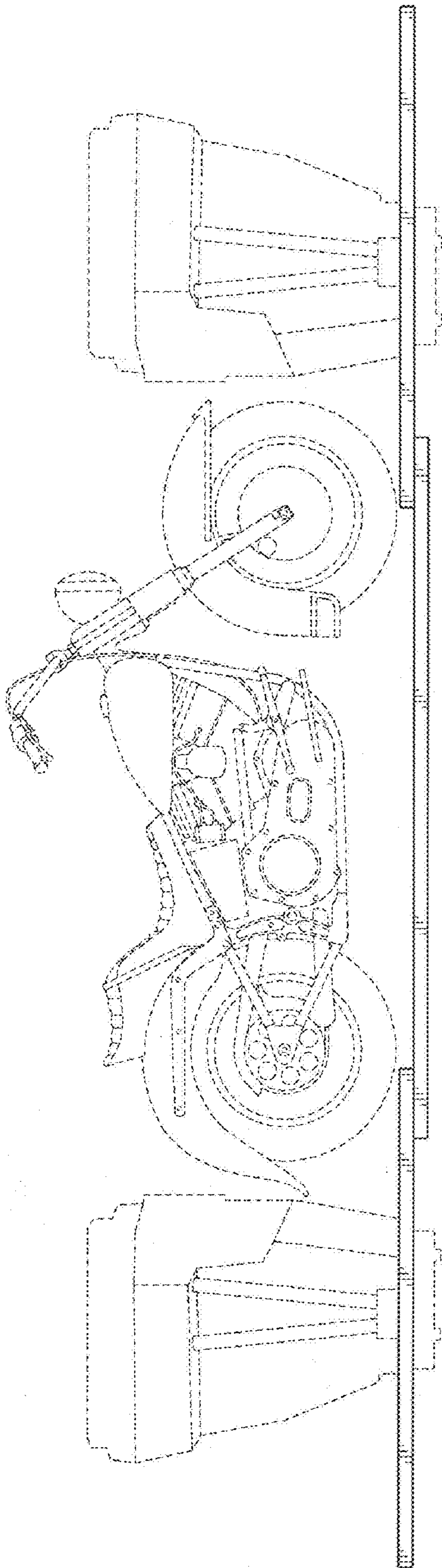


FIG. 2

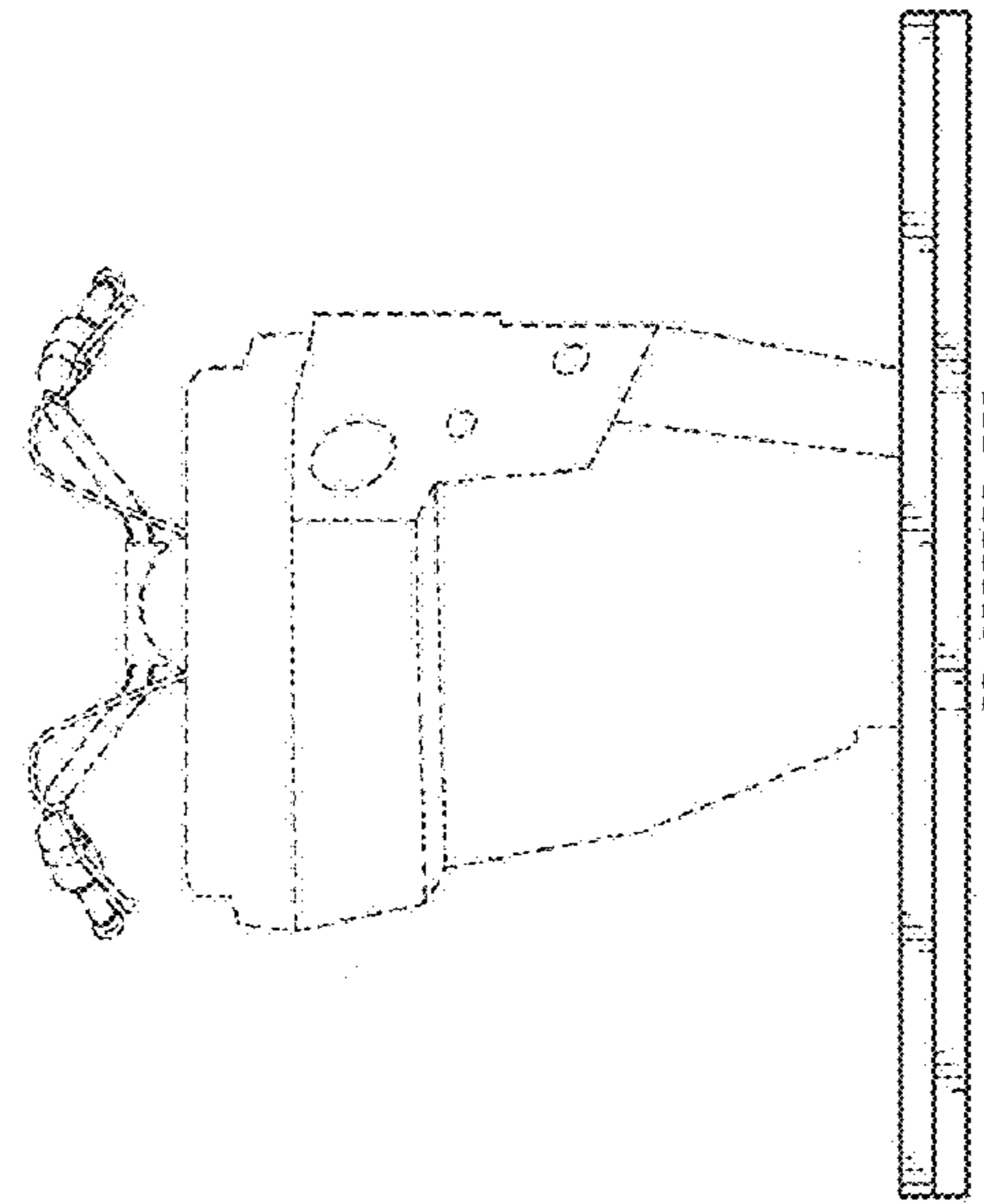


FIG. 3

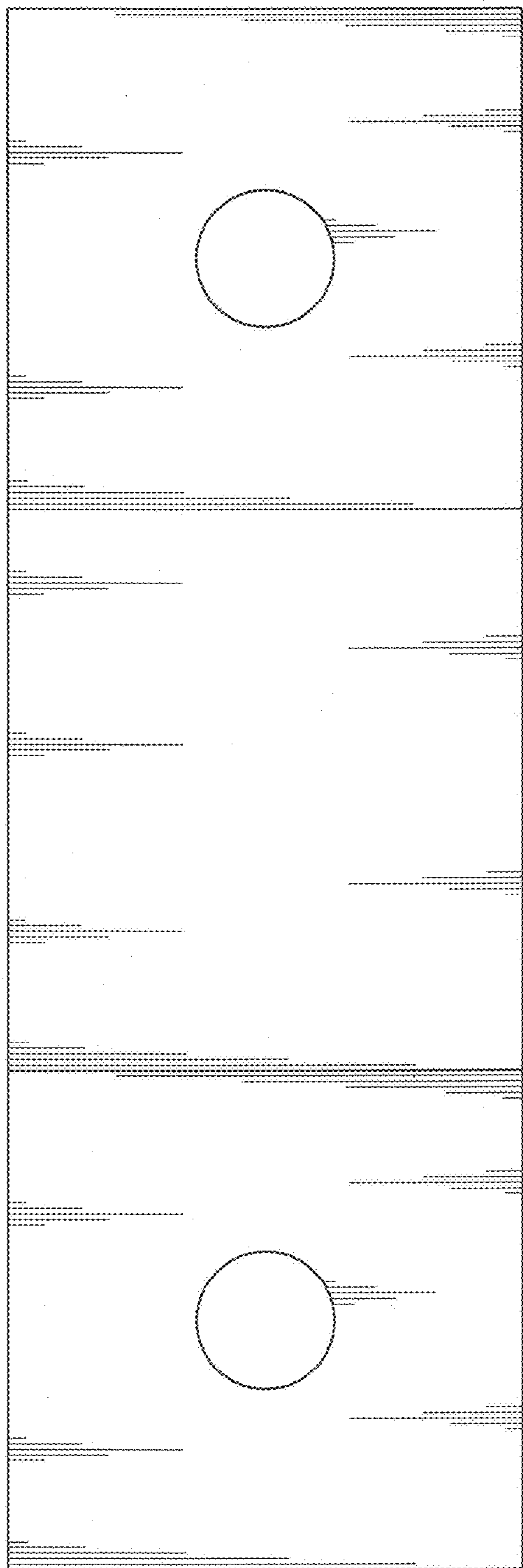


FIG. 4

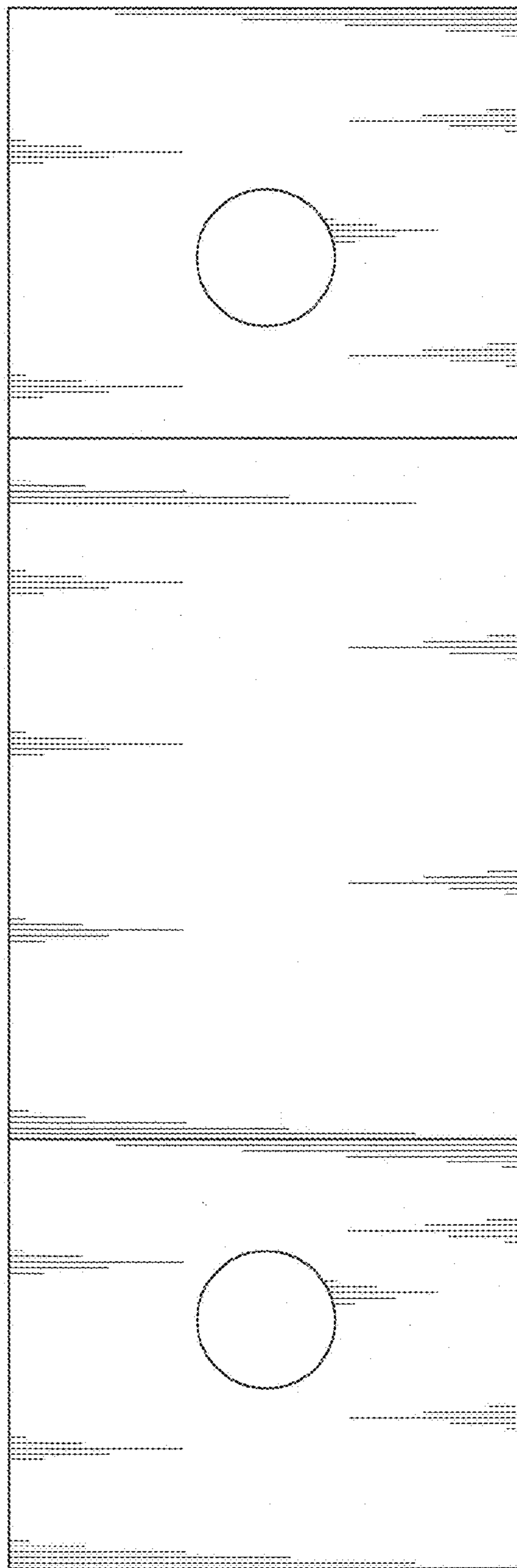


FIG. 5