



US00D593247S

(12) **United States Design Patent**
Maxik et al.

(10) **Patent No.:** **US D593,247 S**

(45) **Date of Patent:** **** May 26, 2009**

(54) **PENDANT LIGHT MODULE**

(75) Inventors: **Fredric S. Maxik**, Indialantic, FL (US);
Addy S. Widjaja, Palm Bay, FL (US);
Wei Sun, Melbourne, FL (US); **David Henderson**, Granville, OH (US)

(73) Assignee: **Lighting Science Group Corporation**,
Westampton, NJ (US)

(**) Term: **14 Years**

(21) Appl. No.: **29/321,710**

(22) Filed: **Jul. 22, 2008**

(51) **LOC (9) Cl.** **26-99**

(52) **U.S. Cl.** **D26/113**

(58) **Field of Classification Search** 248/339;
362/101, 396, 267, 145, 147, 148, 218, 257,
362/285, 373, 441, 800; D13/179, 180; D24/201;
D26/2, 36, 42, 37, 113, 119, 138, 153, 154,
D26/124, 24, 26, 38, 41, 49, 50, 142, 152,
D26/60, 61, 70, 72, 74, 85, 86, 93, 140, 136,
D26/118, 120, 128, 129, 130, 133, 134, 135
See application file for complete search history.

(56) **References Cited**

U.S. PATENT DOCUMENTS

D427,335 S * 6/2000 Noll D26/2
D446,321 S * 8/2001 Lin D26/24
D450,869 S * 11/2001 Yee D26/49

6,715,900 B2 * 4/2004 Zhang 362/294
6,880,956 B2 * 4/2005 Zhang 362/264
D525,379 S * 7/2006 Maxik et al. D26/37
D538,950 S * 3/2007 Maxik D26/2
D542,425 S * 5/2007 Wang D26/2
D542,943 S * 5/2007 Wang D26/2
D544,622 S * 6/2007 Cheng D26/46
D566,300 S * 4/2008 Lo D26/2
2003/0095404 A1 * 5/2003 Becks et al. 362/185
2006/0274541 A1 * 12/2006 Sheen 362/488

* cited by examiner

Primary Examiner—Cathron C Brooks

Assistant Examiner—Kevin K Rudzinski

(74) *Attorney, Agent, or Firm*—Cantor Colburn LLP

(57) **CLAIM**

The ornamental design for a pendant light module, as shown and described.

DESCRIPTION

FIG. 1 is a bottom perspective view of a pendant light module depicting our design;

FIG. 2 is a top perspective view thereof;

FIG. 3 is a left side view thereof, wherein the right side view is a mirror image of said left side view;

FIG. 4 is a bottom plan view thereof; and,

FIG. 5 is a top plan view thereof.

1 Claim, 3 Drawing Sheets

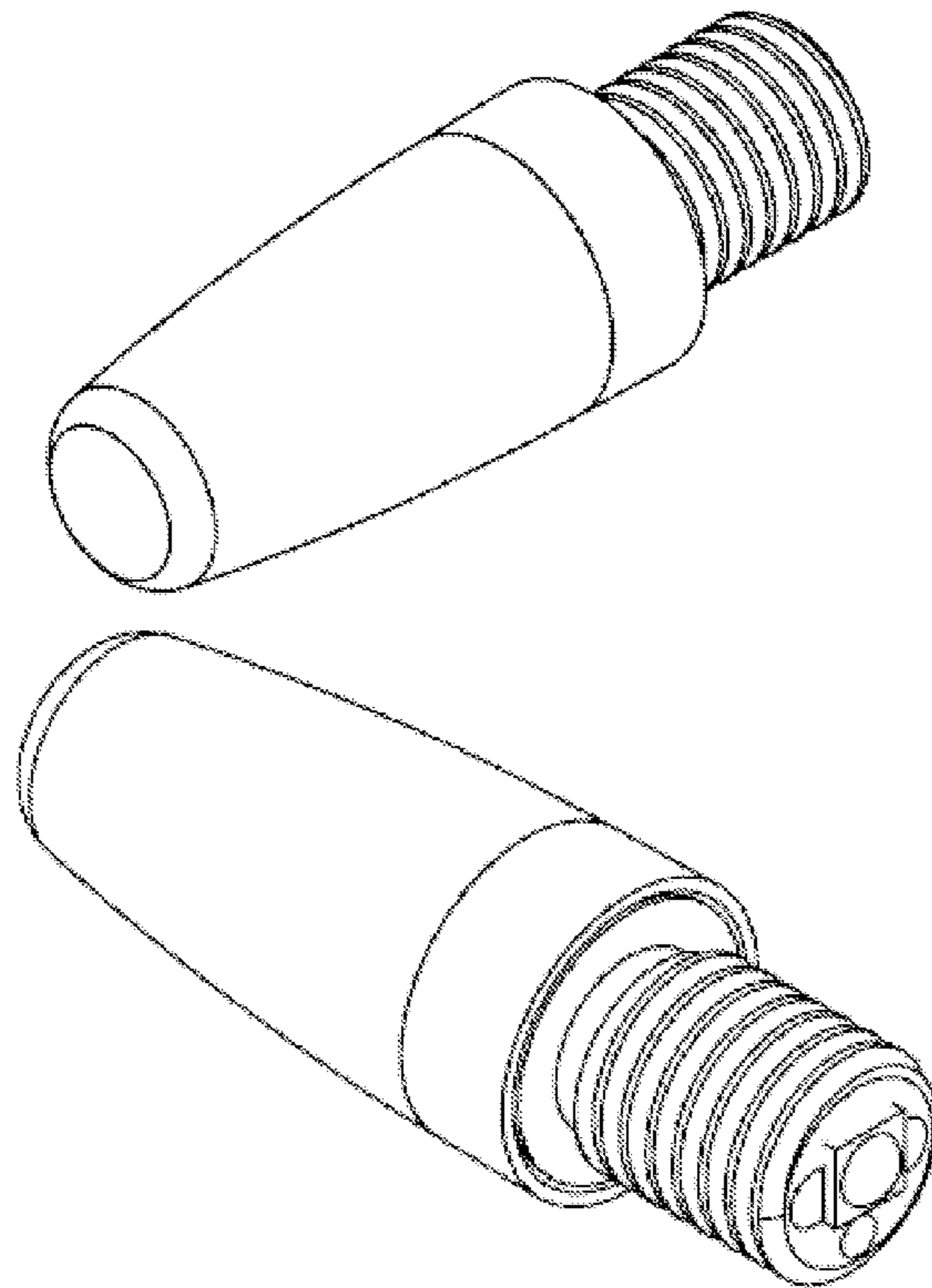


Fig 1

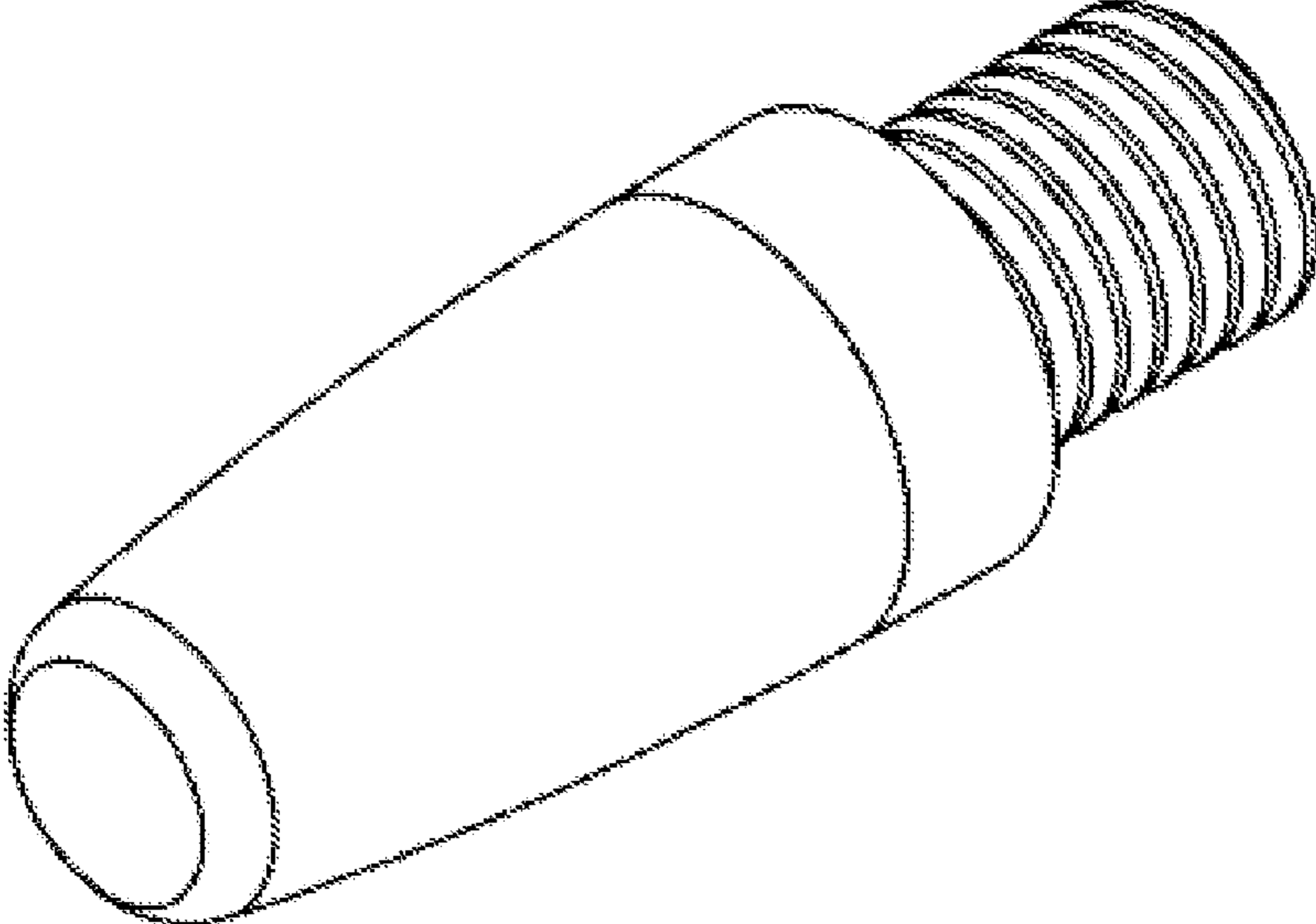


Fig. 2

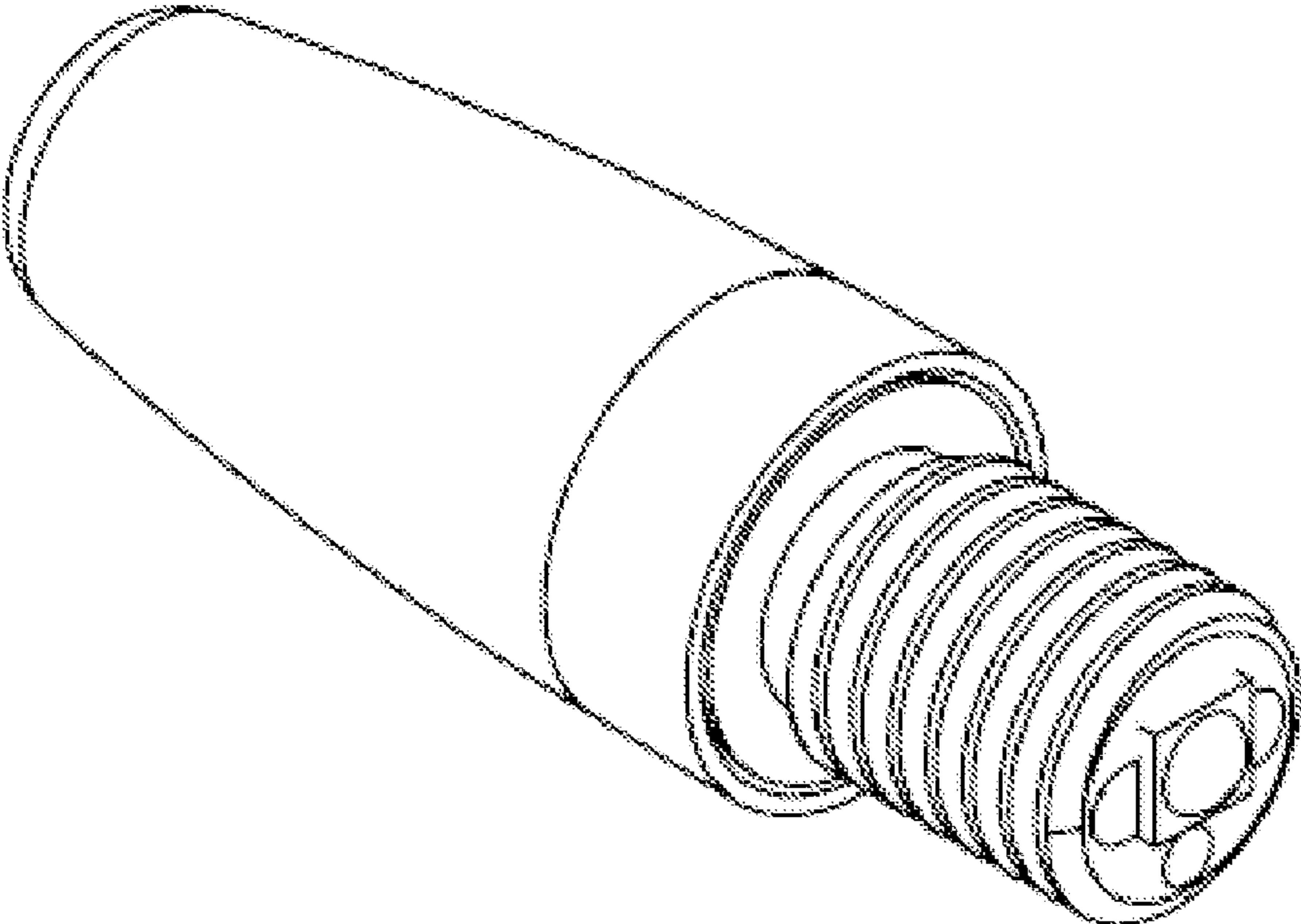


Fig. 3

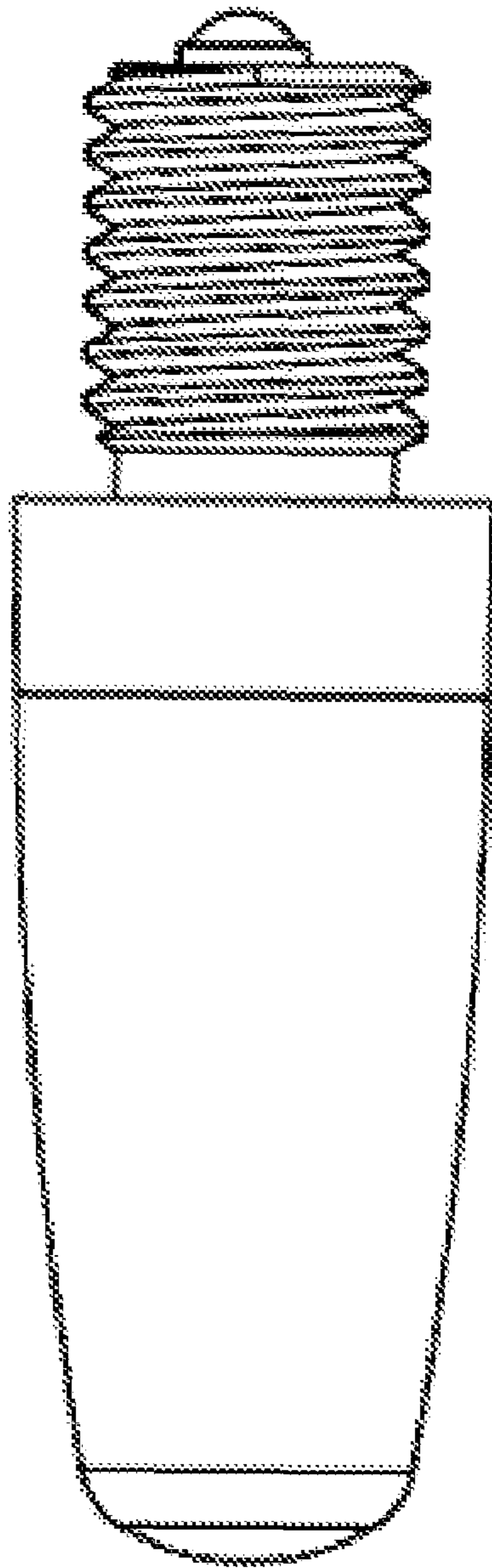


Fig. 4

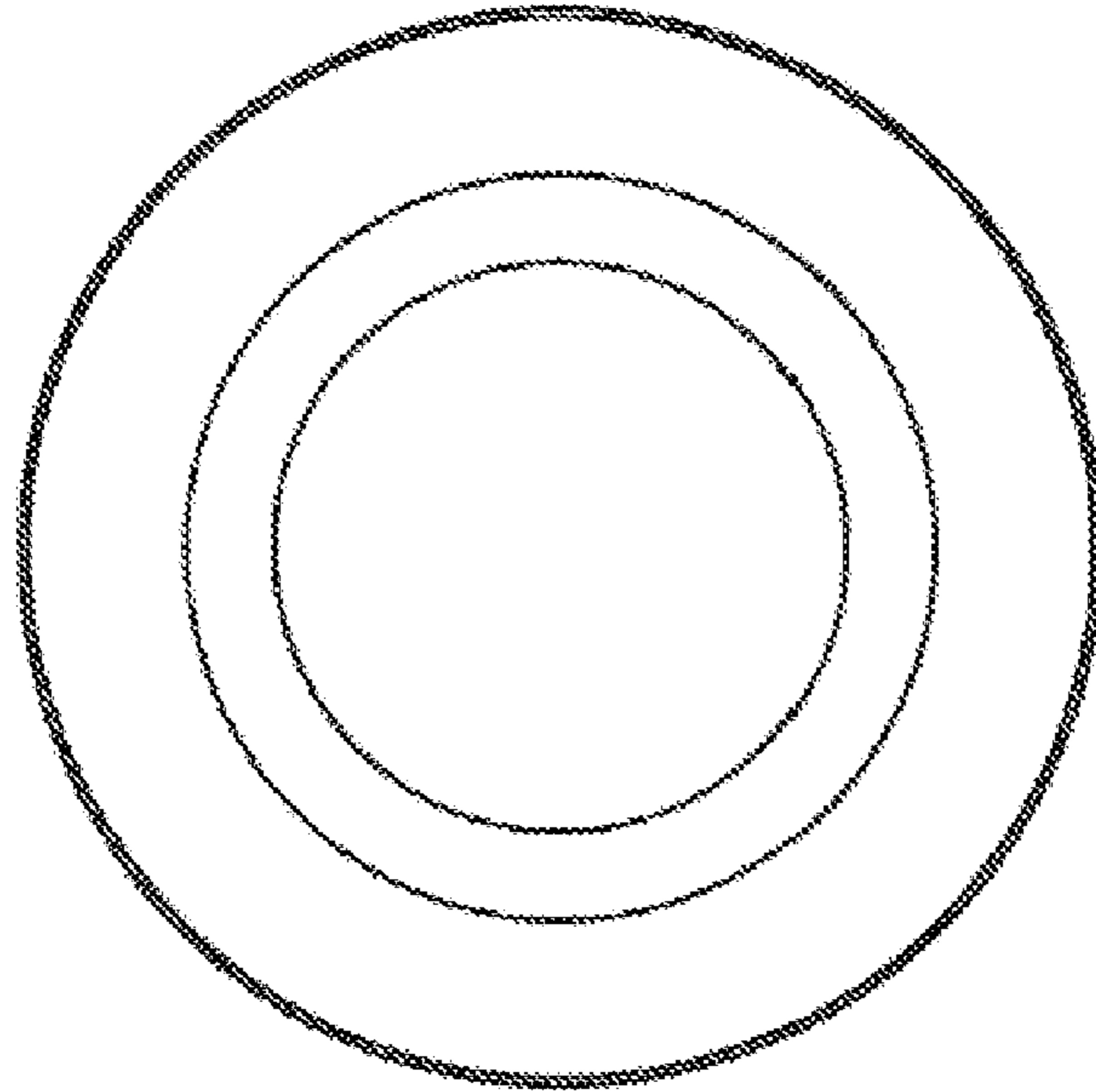


Fig. 5

