

US00D593244S

(12) **United States Design Patent**  
**Cytrynowicz**

(10) **Patent No.:** **US D593,244 S**

(45) **Date of Patent:** **\*\* May 26, 2009**

(54) **COLANDER LIGHT FIXTURE**

(76) **Inventor:** **Daniel Cytrynowicz**, 3828 Clarington Ave., Los Angeles, CA (US) 90232

(\*\*) **Term:** **14 Years**

(21) **Appl. No.:** **29/267,824**

(22) **Filed:** **Oct. 23, 2006**

(51) **LOC (9) Cl.** ..... **26-05**

(52) **U.S. Cl.** ..... **D26/73**

(58) **Field of Classification Search** ..... D26/72,  
D26/73, 80-92, 94, 125; 362/147, 404, 806  
See application file for complete search history.

(56) **References Cited**

**U.S. PATENT DOCUMENTS**

D20,053	S	*	7/1890	Bayley	.....	D26/94
1,225,865	A	*	5/1917	Schneible	.....	40/332
D86,420	S	*	3/1932	Sutter	.....	D26/88
D90,265	S	*	7/1933	Shapiro	.....	D26/94
D90,612	S	*	8/1933	Howell	.....	D26/88
D90,881	S	*	10/1933	Gruber	.....	D26/73
2,067,018	A	*	1/1937	Pretzfelder	.....	362/341

D149,979	S	*	6/1948	Solstone	.....	D6/557
2,815,439	A	*	12/1957	Plubell	.....	40/540
D217,383	S	*	4/1970	Benedetto	.....	D26/73
6,485,162	B2	*	11/2002	Funke	.....	362/253

\* cited by examiner

*Primary Examiner*—Clare E Heflin

(74) *Attorney, Agent, or Firm*—Winstead PC

(57) **CLAIM**

The ornamental design for a colander fixture, as shown and described.

**DESCRIPTION**

FIG. 1 is a bottom perspective view of the colander light fixture showing the new design;

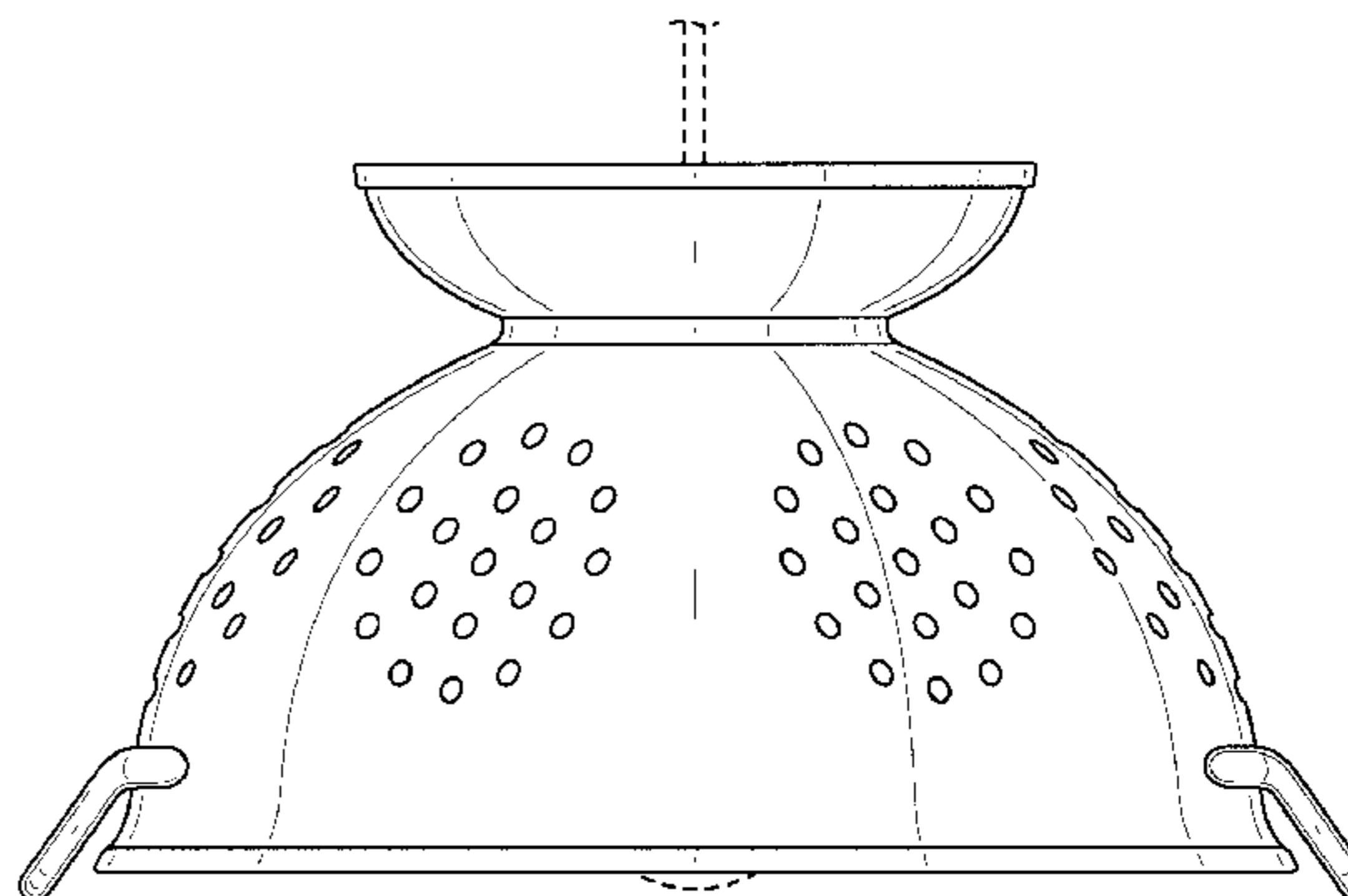
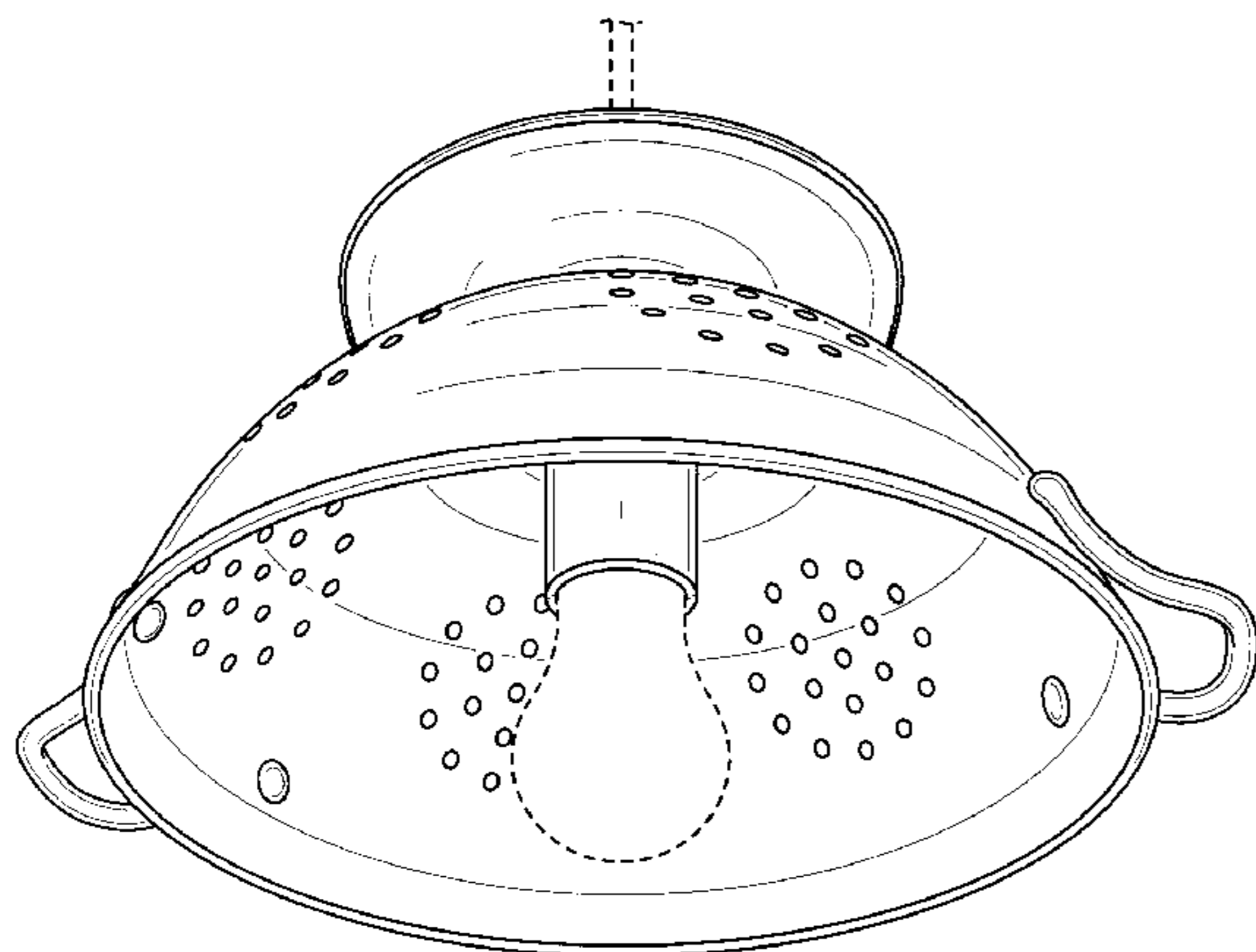
FIG. 2 is a bottom plan view thereof;

FIG. 3 is a side elevation view thereof; and,

FIG. 4 is a top perspective view thereof.

The broken lines shown on the drawings depict environment only and form no part of the claimed design.

**1 Claim, 2 Drawing Sheets**



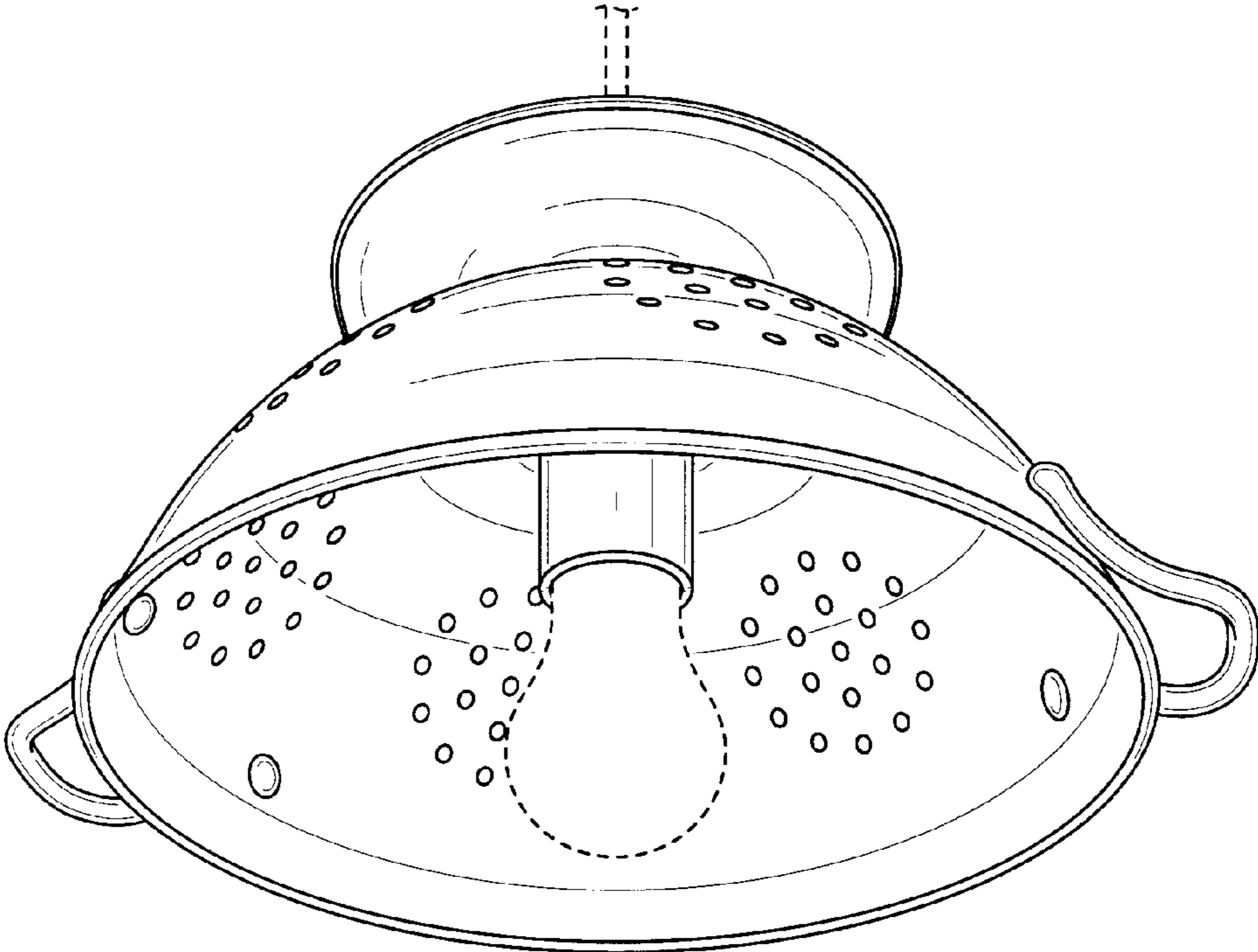


FIG. 1

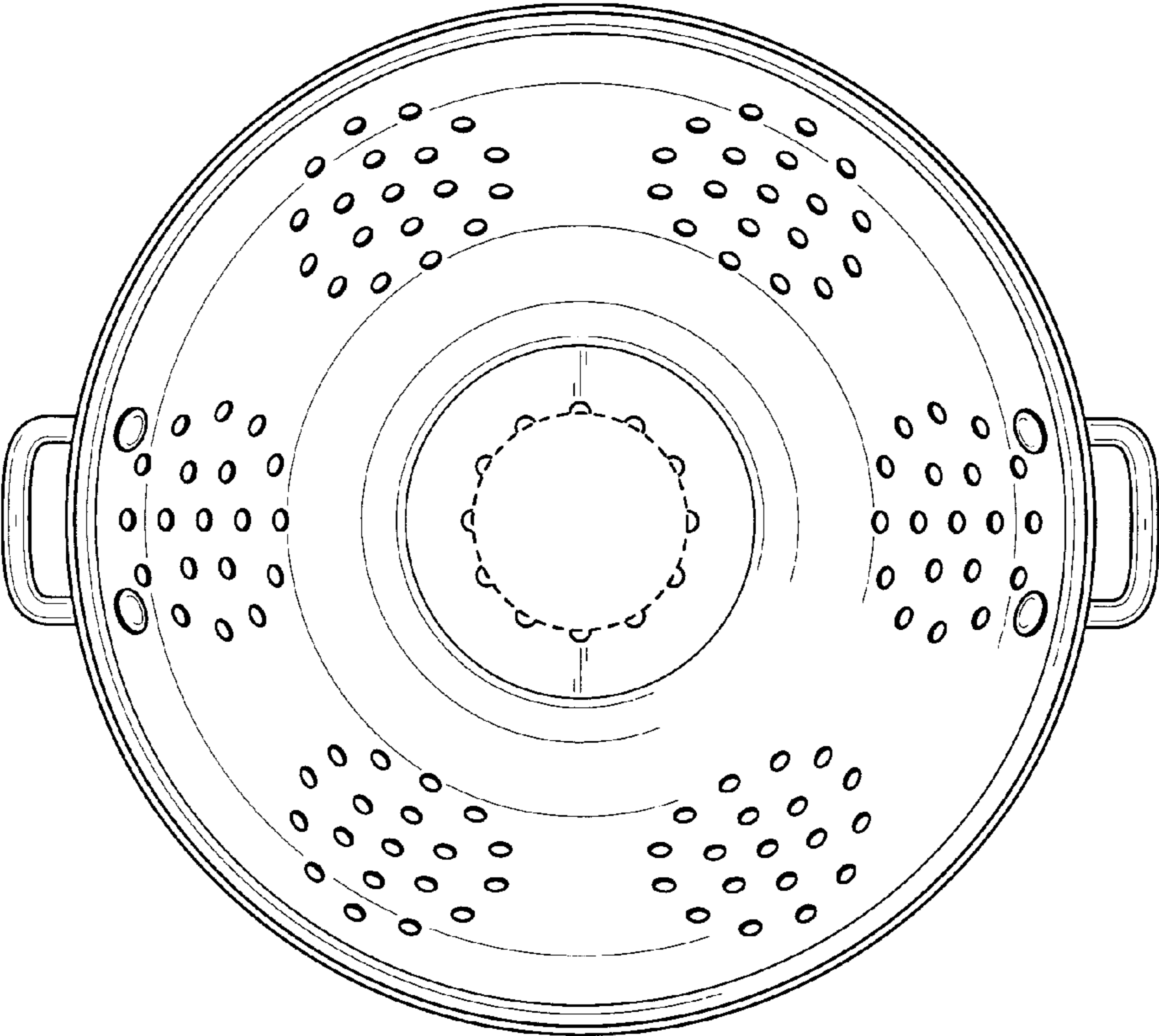


FIG. 2

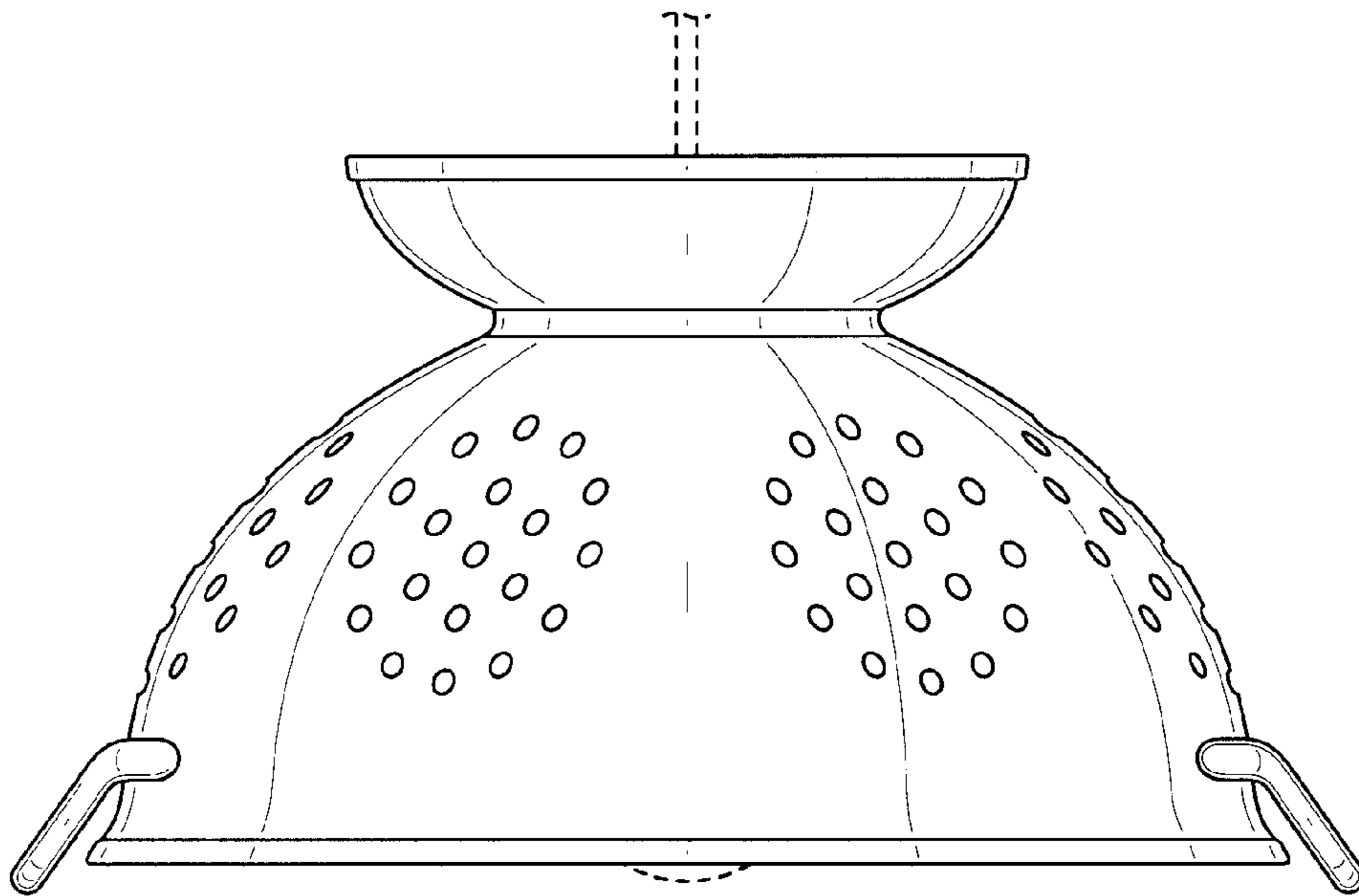


FIG. 3

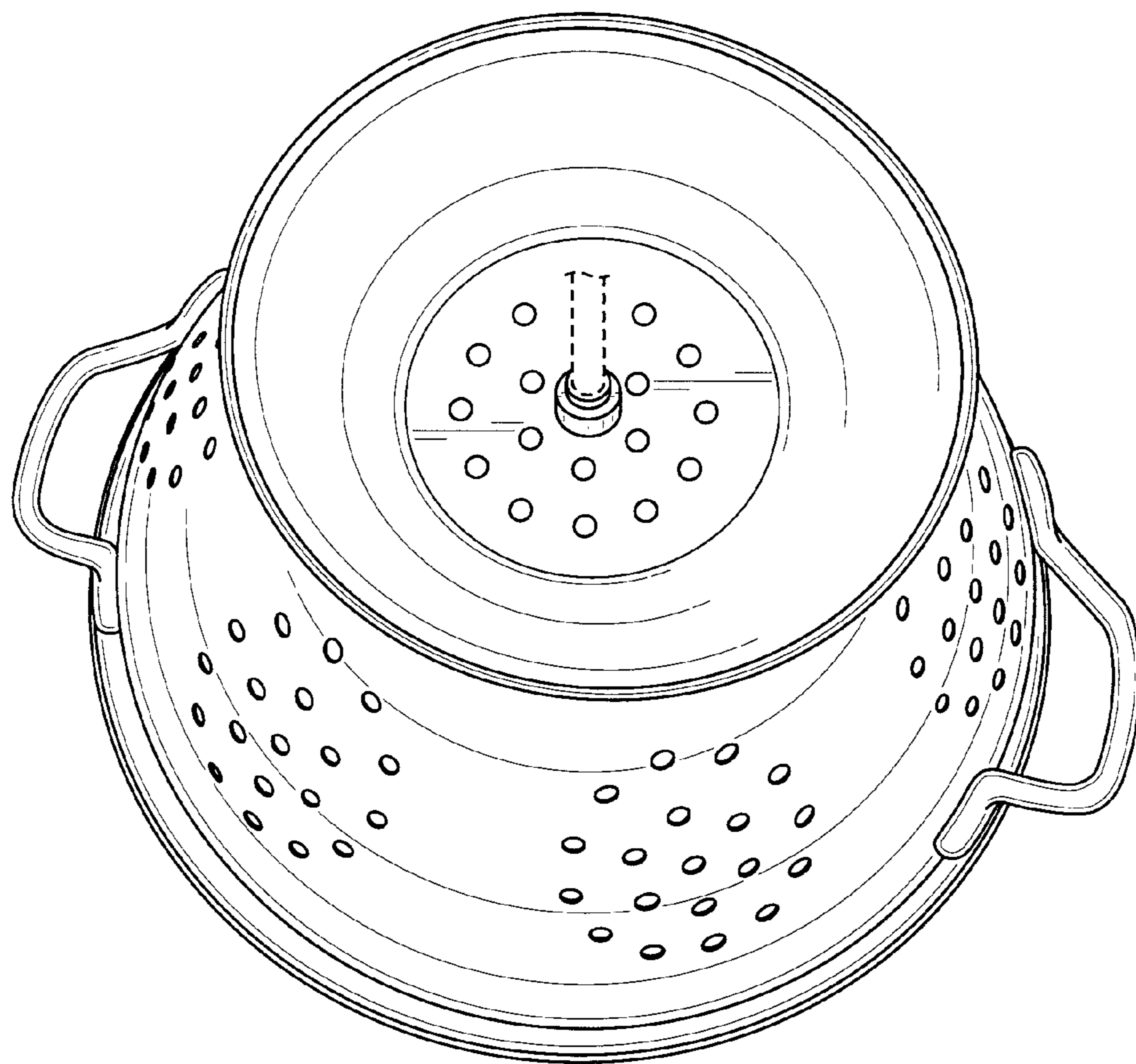


FIG. 4