



US00D593241S

(12) **United States Design Patent**
Wiesmeth et al.

(10) **Patent No.:** **US D593,241 S**

(45) **Date of Patent:** **** May 26, 2009**

(54) **LED FLASHLIGHT**

D566,314 S * 4/2008 Jen D26/49
D574,529 S * 8/2008 Squires et al. D26/49
D579,135 S * 10/2008 Shiu D26/49

(75) Inventors: **Stefan Wiesmeth**, Lenting (DE);
Matthew Malcolm, Shavertown, PA
(US)

* cited by examiner

(73) Assignee: **Koehler-Bright Star, Inc.**, Hanover
Township, PA (US)

Primary Examiner—Ian Simmons
Assistant Examiner—Carissa C Fitts

(**) Term: **14 Years**

(74) *Attorney, Agent, or Firm*—DLA Piper LLP (US);
Jennifer E. Lacroix

(21) Appl. No.: **29/323,119**

(57) **CLAIM**

(22) Filed: **Aug. 19, 2008**

The ornamental design for a LED flashlight, as shown and described.

(51) **LOC (9) Cl.** **26-02**

(52) **U.S. Cl.** **D26/49**

(58) **Field of Classification Search** D26/37,
D26/38, 46, 49; 362/157, 158, 184, 194–196,
362/200–206, 208

See application file for complete search history.

DESCRIPTION

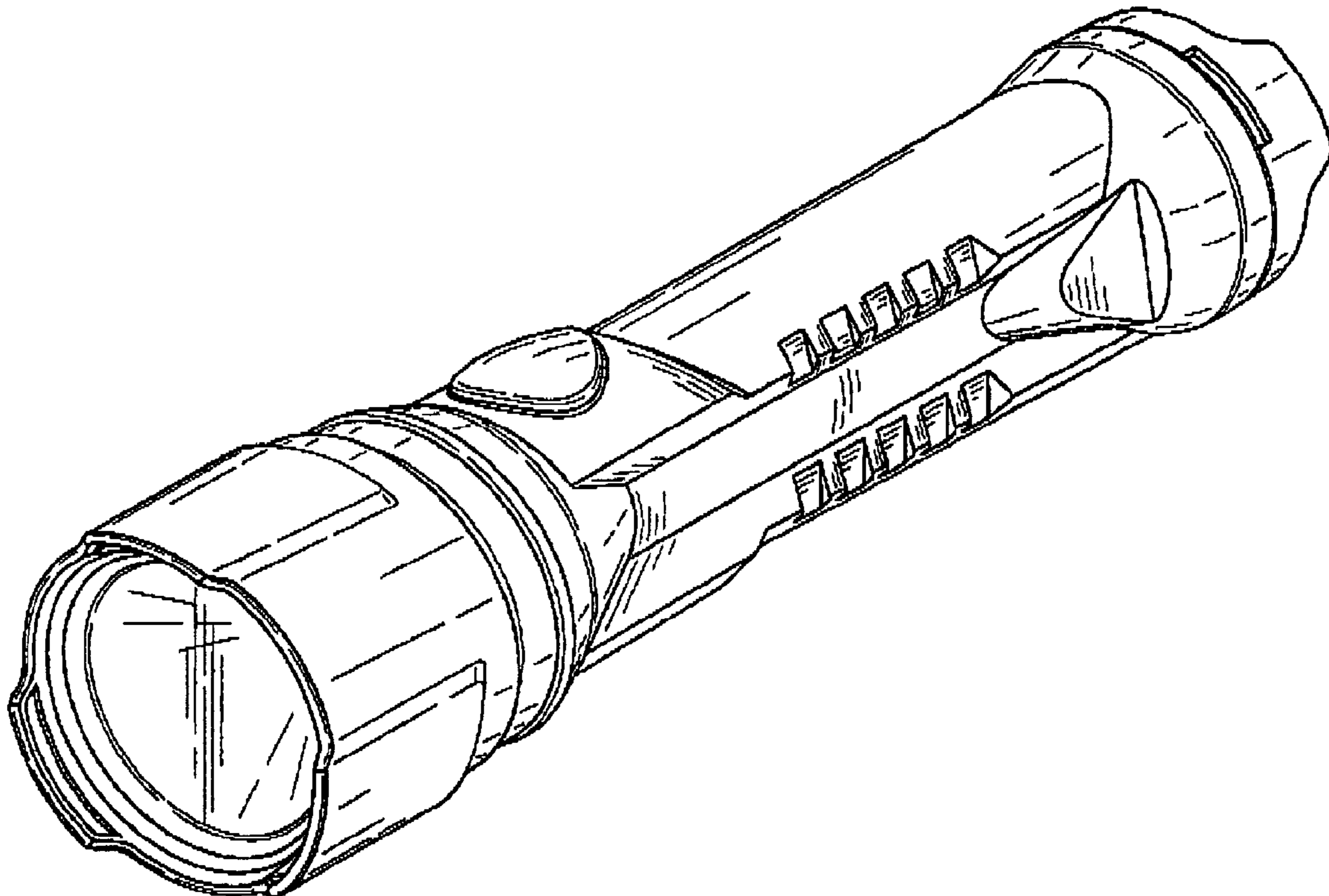
(56) **References Cited**

U.S. PATENT DOCUMENTS

D496,116 S * 9/2004 Abernethy et al. D26/49
D497,445 S * 10/2004 Chan D26/37
D549,377 S * 8/2007 Osiecki et al. D26/49
D557,846 S * 12/2007 Yang D26/49
D563,008 S * 2/2008 Garrity et al. D26/49

FIG. 1 is a front perspective view of the LED flashlight;
FIG. 2 is a front elevational view of the LED flashlight;
FIG. 3 is a rear elevational view of the LED flashlight;
FIG. 4 is a left side elevational view of the LED flashlight, the
right side elevational view being a mirror image thereof;
FIG. 5 is a top plan view of the LED flashlight;
FIG. 6 is a bottom plan view of the LED flashlight; and,
FIG. 7 is a rear perspective view of the LED flashlight.

1 Claim, 4 Drawing Sheets



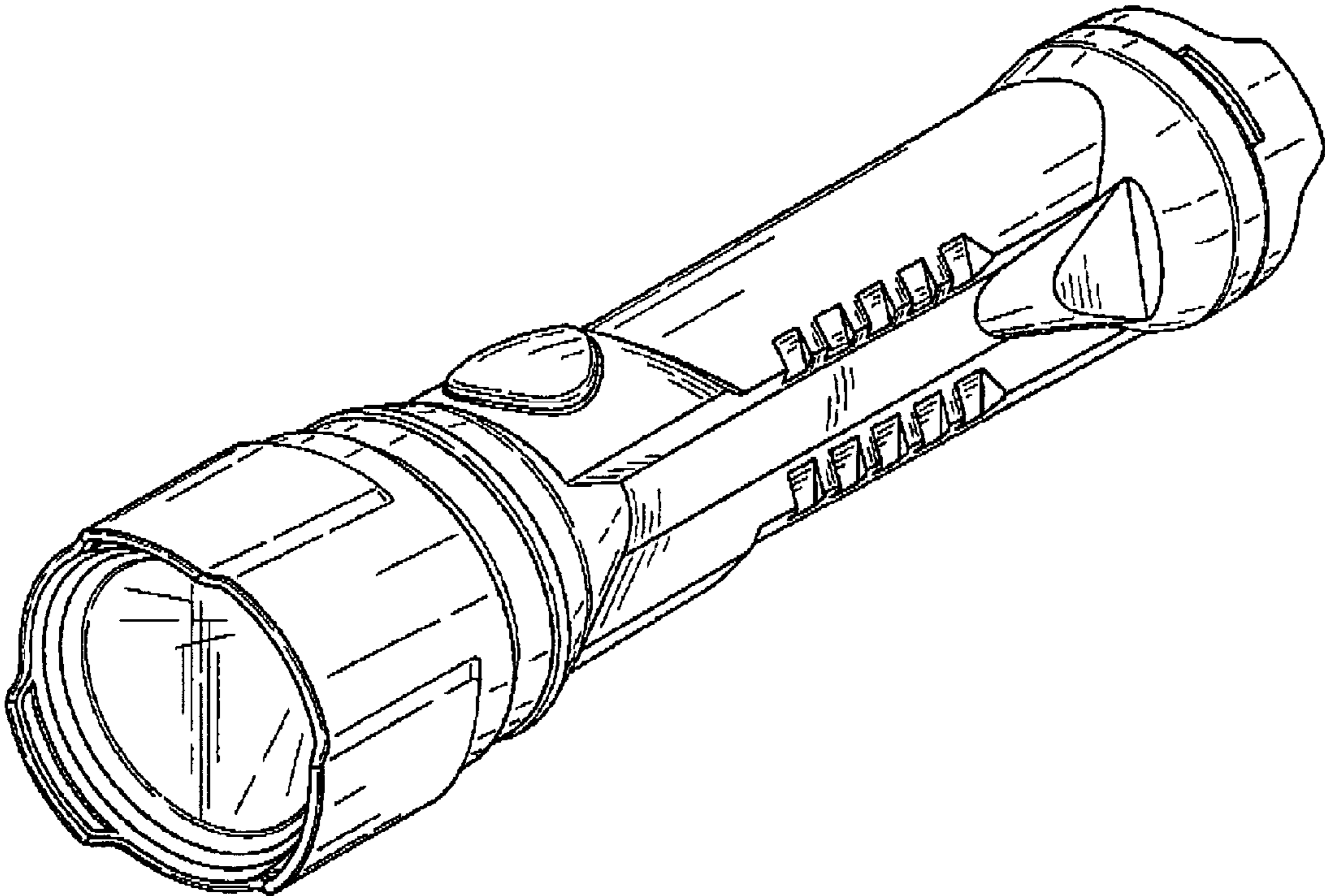


FIG. 1

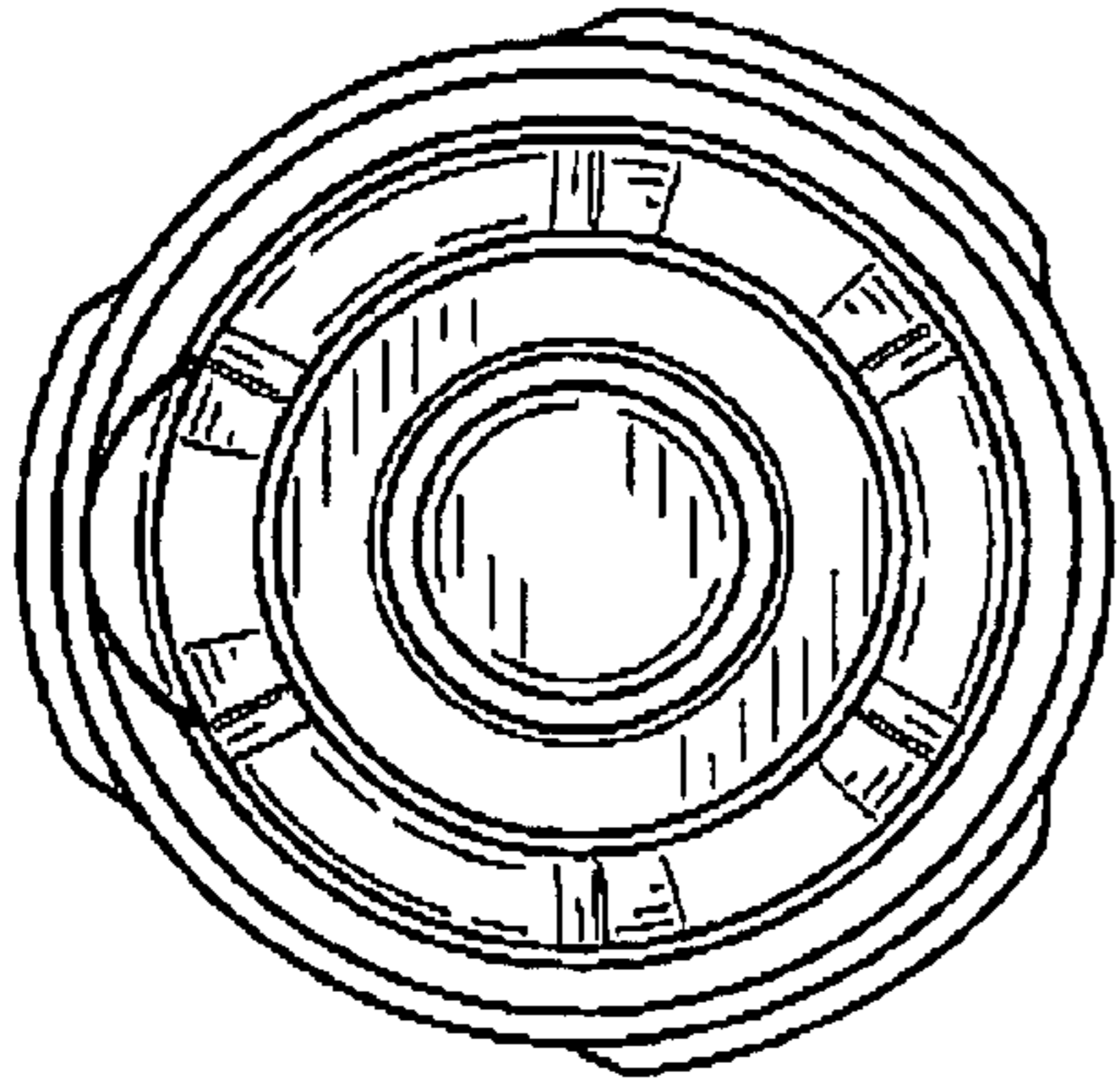


FIG. 2

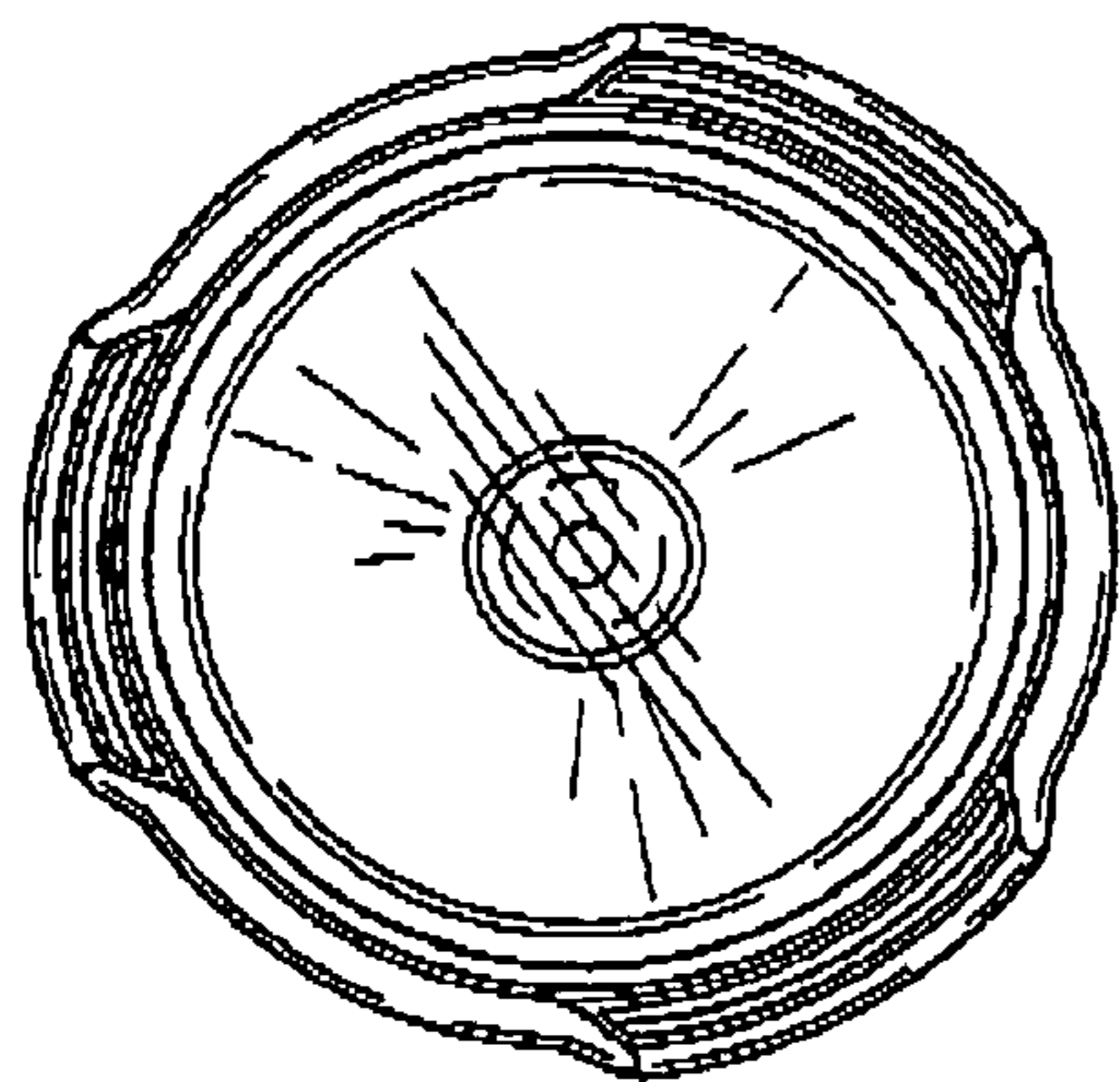


FIG. 3

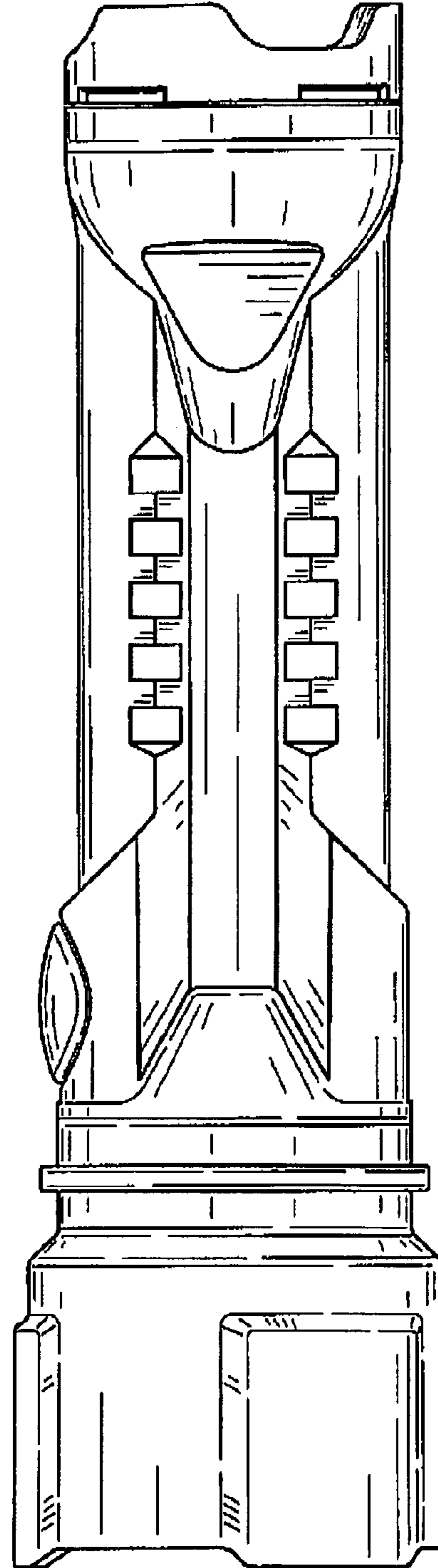


FIG. 4

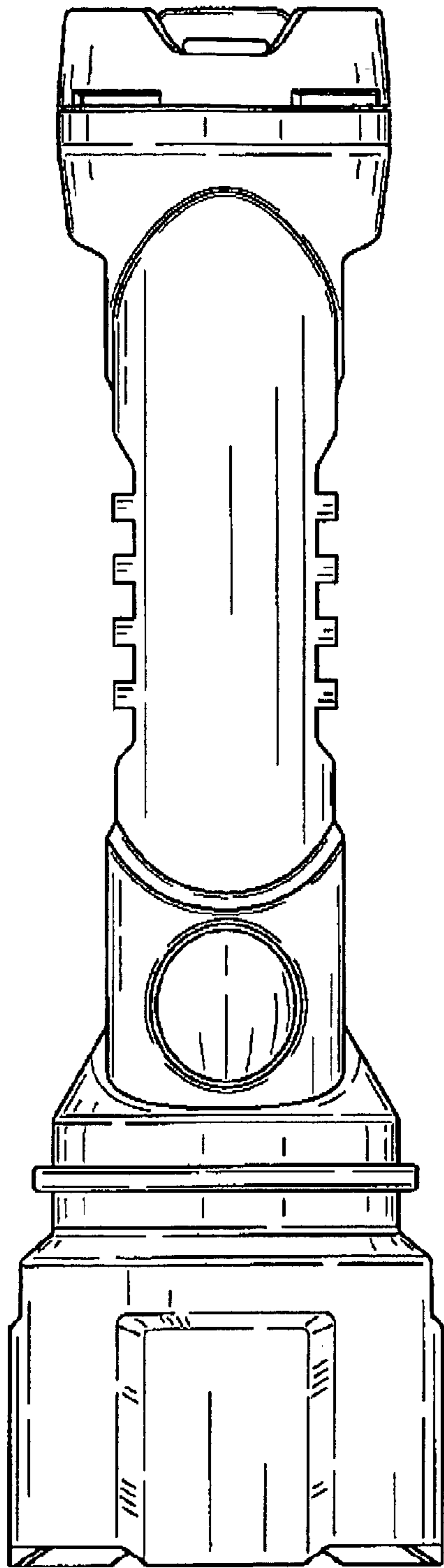


FIG. 5

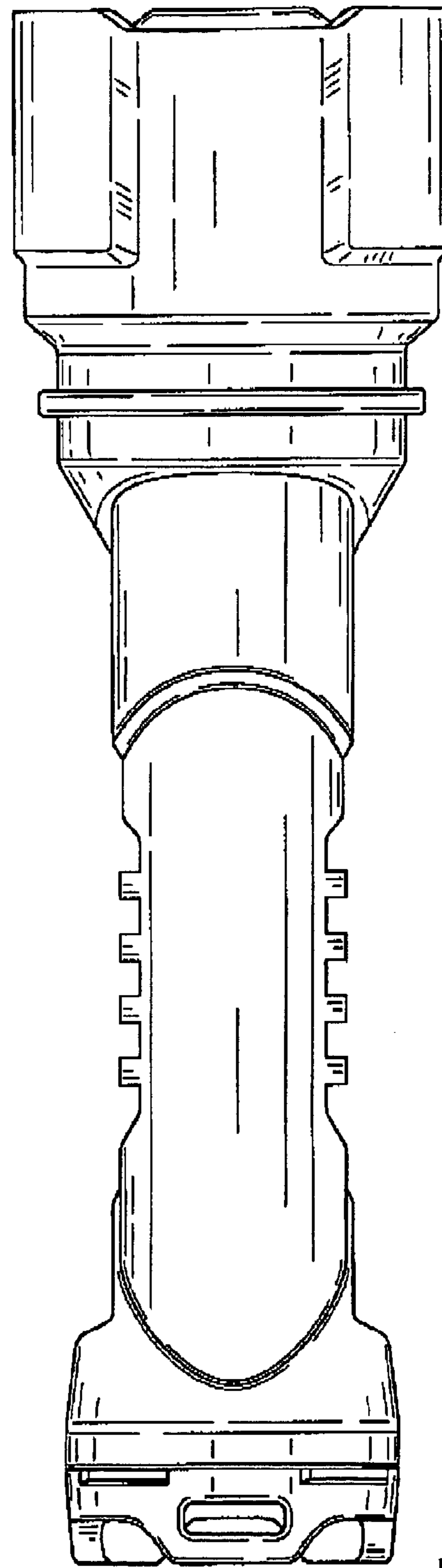


FIG. 6

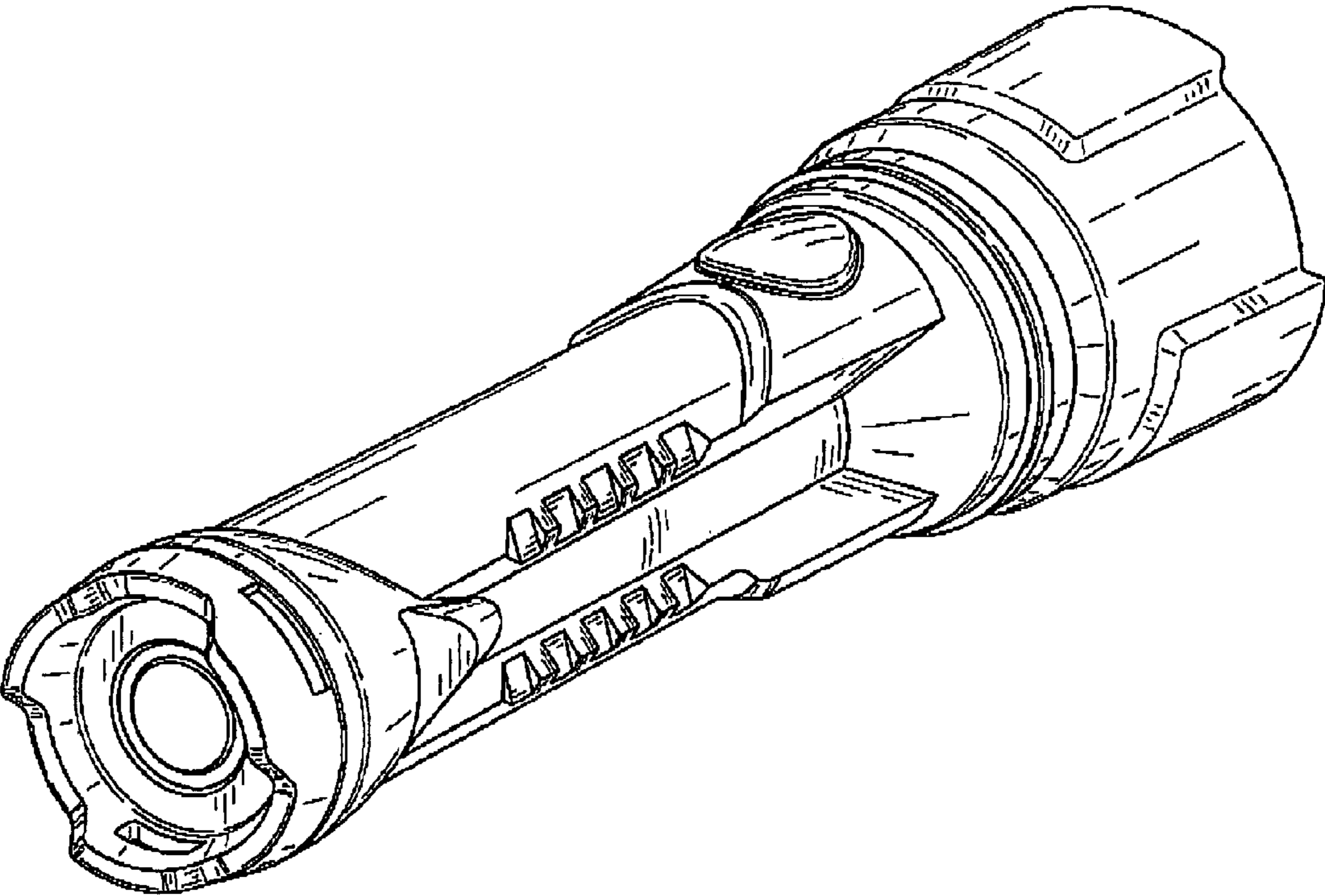


FIG. 7