



US00D593240S

(12) **United States Design Patent**
Caniparoli

(10) **Patent No.:** **US D593,240 S**

(45) **Date of Patent:** **** May 26, 2009**

(54) **FLASHLIGHT**

(75) Inventor: **Jeffrey L. Caniparoli**, Milwaukie, OR (US)

(73) Assignee: **Leatherman Tool Group, Inc.**, Portland, OR (US)

(**) Term: **14 Years**

(21) Appl. No.: **29/322,621**

(22) Filed: **Aug. 7, 2008**

(51) **LOC (9) Cl.** **26-02**

(52) **U.S. Cl.** **D26/49**

(58) **Field of Classification Search** D26/37,
D26/38, 46, 49; 362/157, 158, 184, 194-196,
362/200-206, 208

See application file for complete search history.

(56) **References Cited**

U.S. PATENT DOCUMENTS

D308,109 S	5/1990	Maglica et al.	
D417,022 S *	11/1999	Chiu	D26/49
D425,643 S *	5/2000	Jigamian et al.	D26/46
D445,926 S *	7/2001	Cheong	D26/37
D465,045 S *	10/2002	Yamamoto et al.	D26/49
D501,055 S	1/2005	Packard	

(Continued)

OTHER PUBLICATIONS

U.S. Appl. No. 29/320,137, entitled *Flashlight*; In re: Rivers et al., dated Jun. 20, 2008.

http://upload.wikimedia.org/wikipedia/commons/thumb/3/38/4xcolor_mini_maglite_20050614.jpg/800px..., dated May 21, 2008, 1 page.

<http://upload.wikimedia.org/wikipedia/en/8/82/Minimaglite.jpg>, dated May 21, 2008, 1 page.

http://www.budgieplace.com/i_maglite.jpg, dated May 21, 2008, 1 page.

http://www.zweibrueder.com/english/images/vquadrat2_579.jpg, dated May 21, 2008, 1 page.

http://www.zweibrueder.com/english/images/vquadrat_579.jpg, dated May 21, 2008, 1 page.

Primary Examiner—Ian Simmons

Assistant Examiner—Carissa C Fitts

(74) *Attorney, Agent, or Firm*—Alston & Bird LLP

(57) **CLAIM**

The ornamental design for a flashlight, as shown and described.

DESCRIPTION

FIG. 1 is a perspective view of a flashlight according to my new design, shown with a removable attachment clip and a removable connecting ring;

FIG. 2 is another perspective view thereof;

FIG. 3 is a front elevation view thereof;

FIG. 4 is a rear elevation view thereof;

FIG. 5 is a top plan view thereof;

FIG. 6 is a bottom plan view thereof;

FIG. 7 is a right side elevation view thereof, the left side being a mirror image thereof;

FIG. 8 is a perspective view of another flashlight according to my new design, shown with a removable attachment clip and a removable connecting ring;

FIG. 9 is another perspective view thereof;

FIG. 10 is a front elevation view thereof;

FIG. 11 is a rear elevation view thereof;

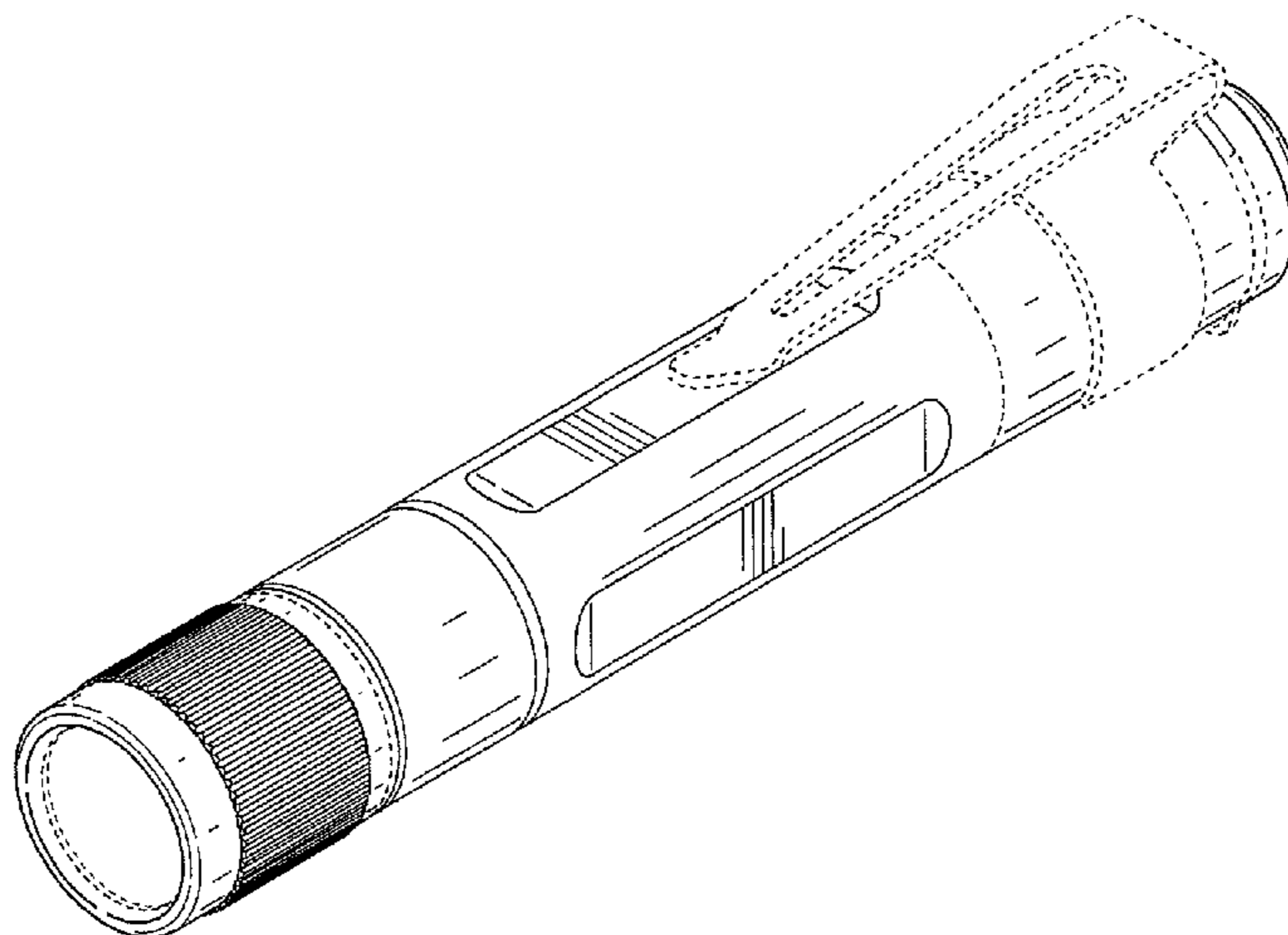
FIG. 12 is a top plan view thereof;

FIG. 13 is a bottom plan view thereof; and,

FIG. 14 is a right side elevation view thereof, the left side being a mirror image thereof.

The broken lines shown herein for illustrative purposes of the environment and additional features form no part of the claimed design.

1 Claim, 14 Drawing Sheets



US D593,240 S

Page 2

U.S. PATENT DOCUMENTS

D505,506 S	5/2005	Kolflat		
D507,365 S	7/2005	Chen		
D515,719 S *	2/2006	Shiu	D26/37	
D521,666 S	5/2006	Chean		
D523,981 S	6/2006	Galli		
D527,481 S	8/2006	Opolka		
D531,743 S	11/2006	Opolka		
D532,138 S	11/2006	Wang et al.		
D550,447 S	9/2007	Opolka		
D557,839 S	12/2007	Shiu		
D557,840 S	12/2007	Shiu		
D563,007 S	2/2008	Opolka		
D565,770 S	4/2008	Shiu		
D567,416 S	4/2008	Shiu		
D577,449 S *	9/2008	Shiu	D26/49	

* cited by examiner

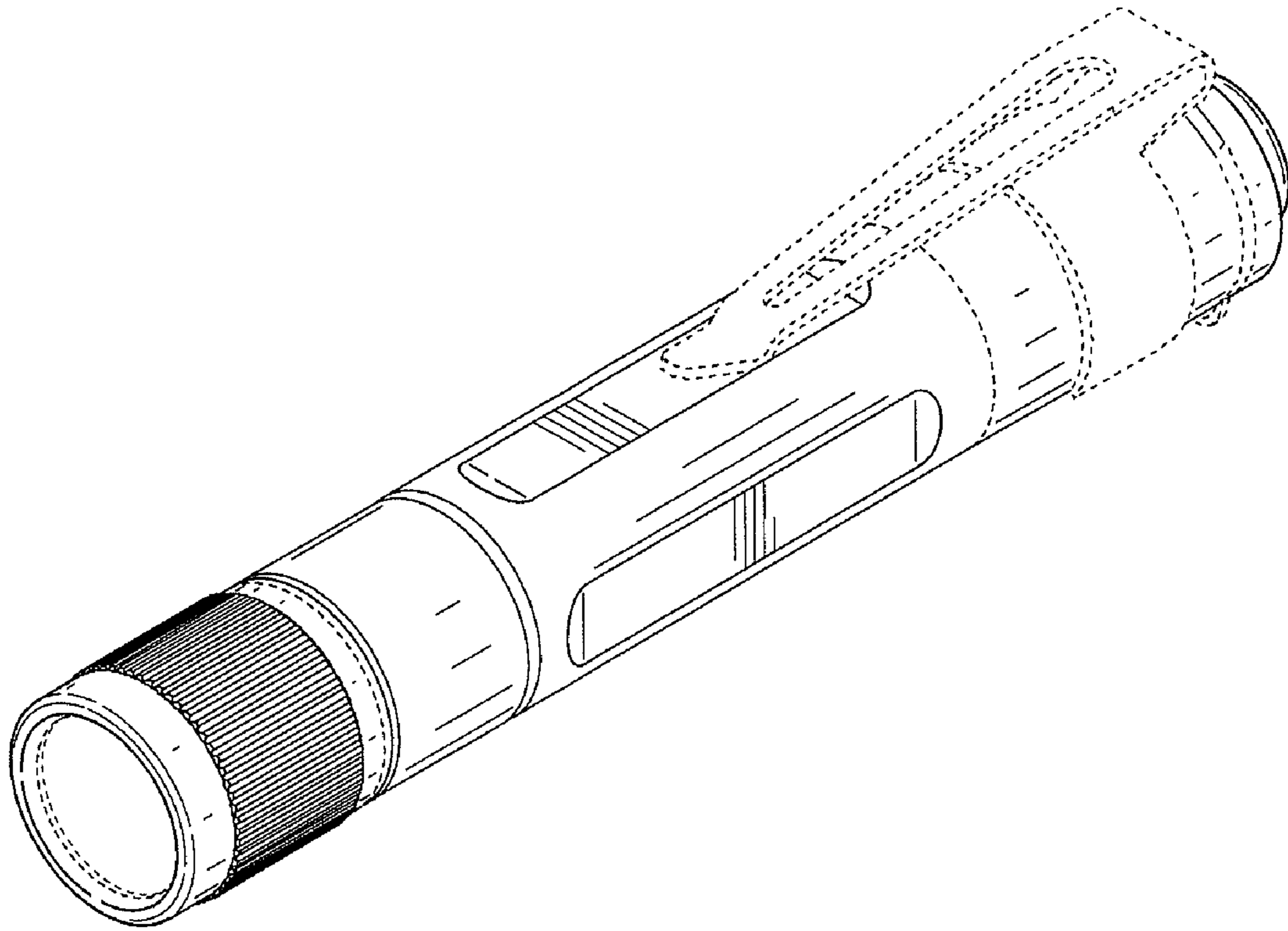


FIG. 1

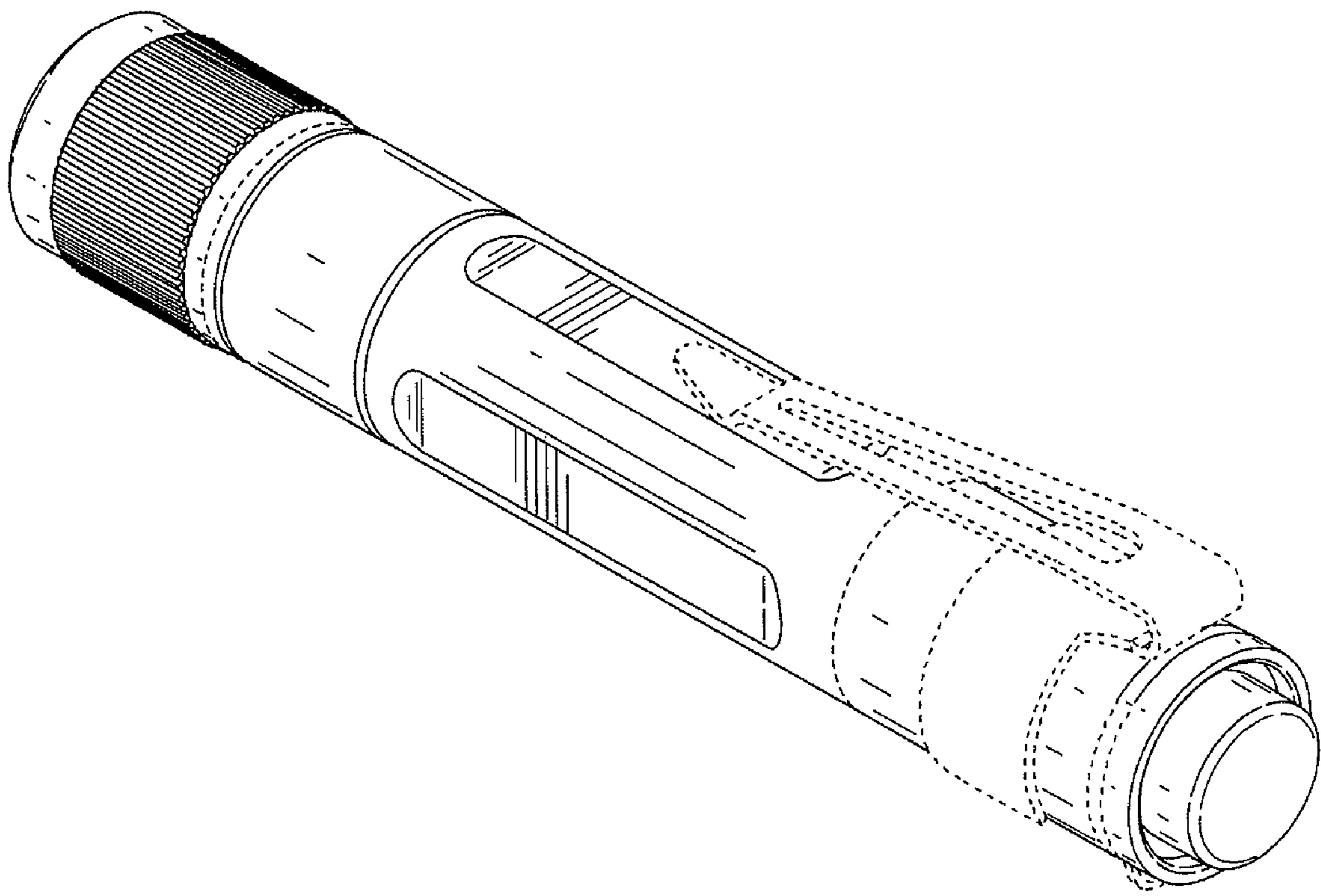


FIG. 2

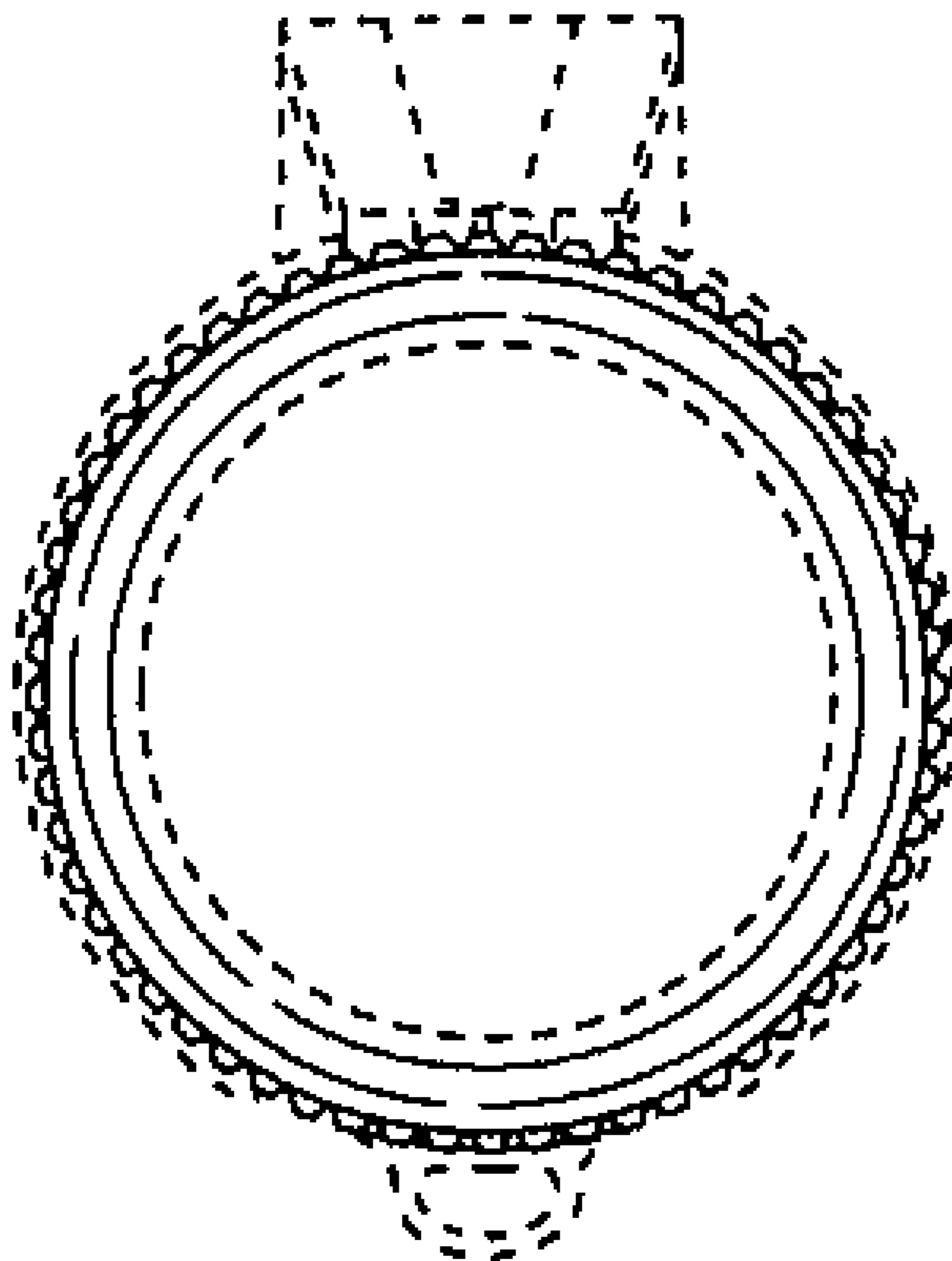


FIG. 3

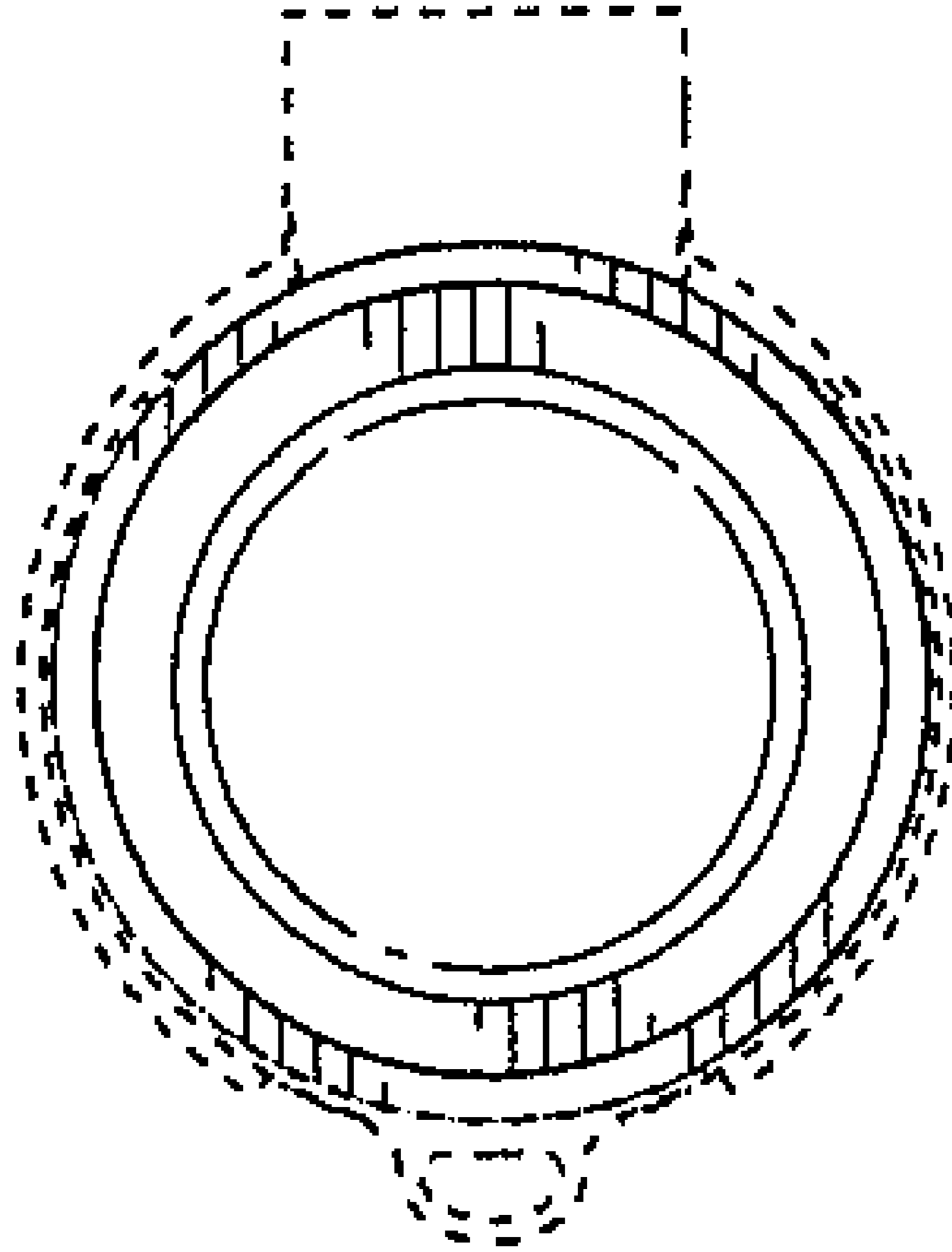


FIG. 4

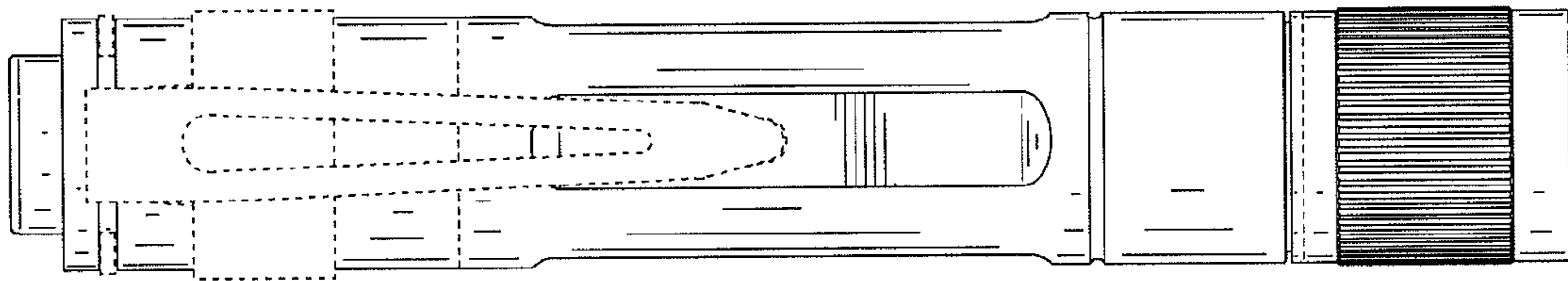


FIG. 5

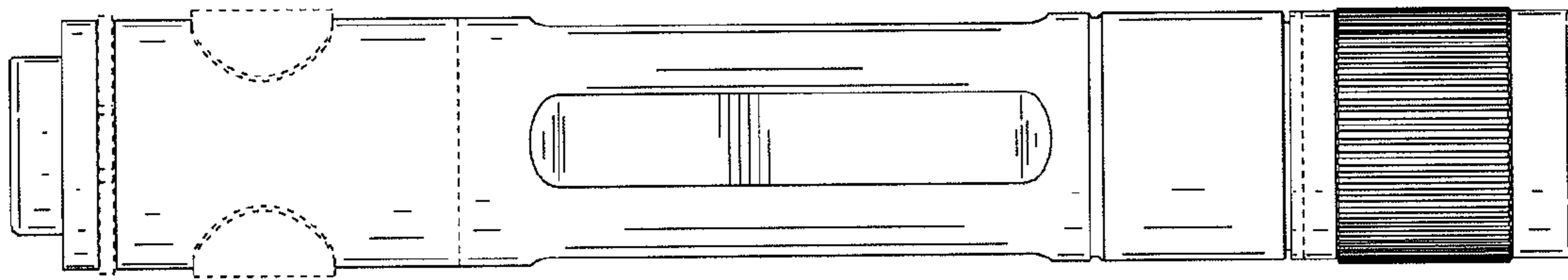


FIG. 6

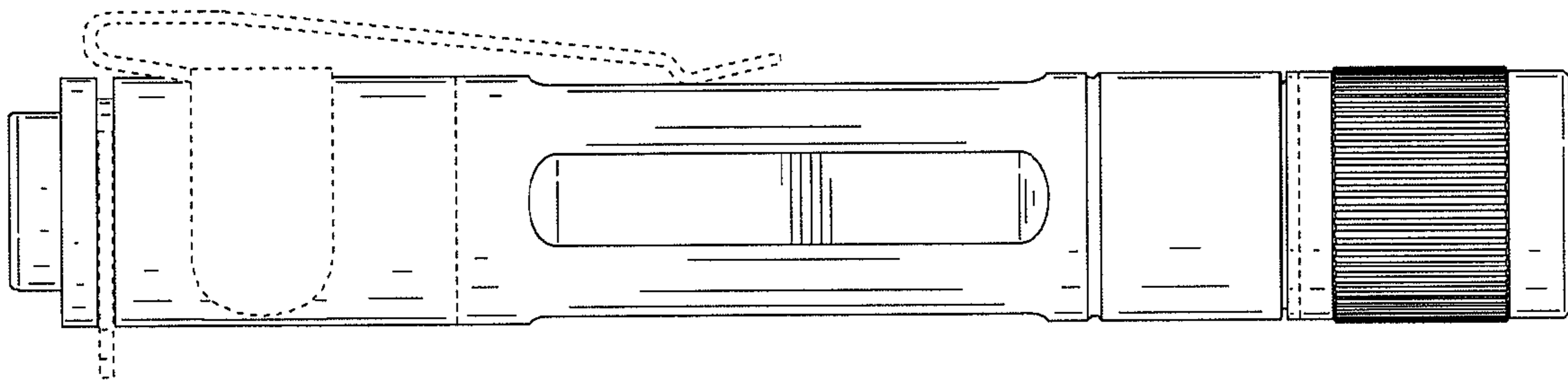


FIG. 7

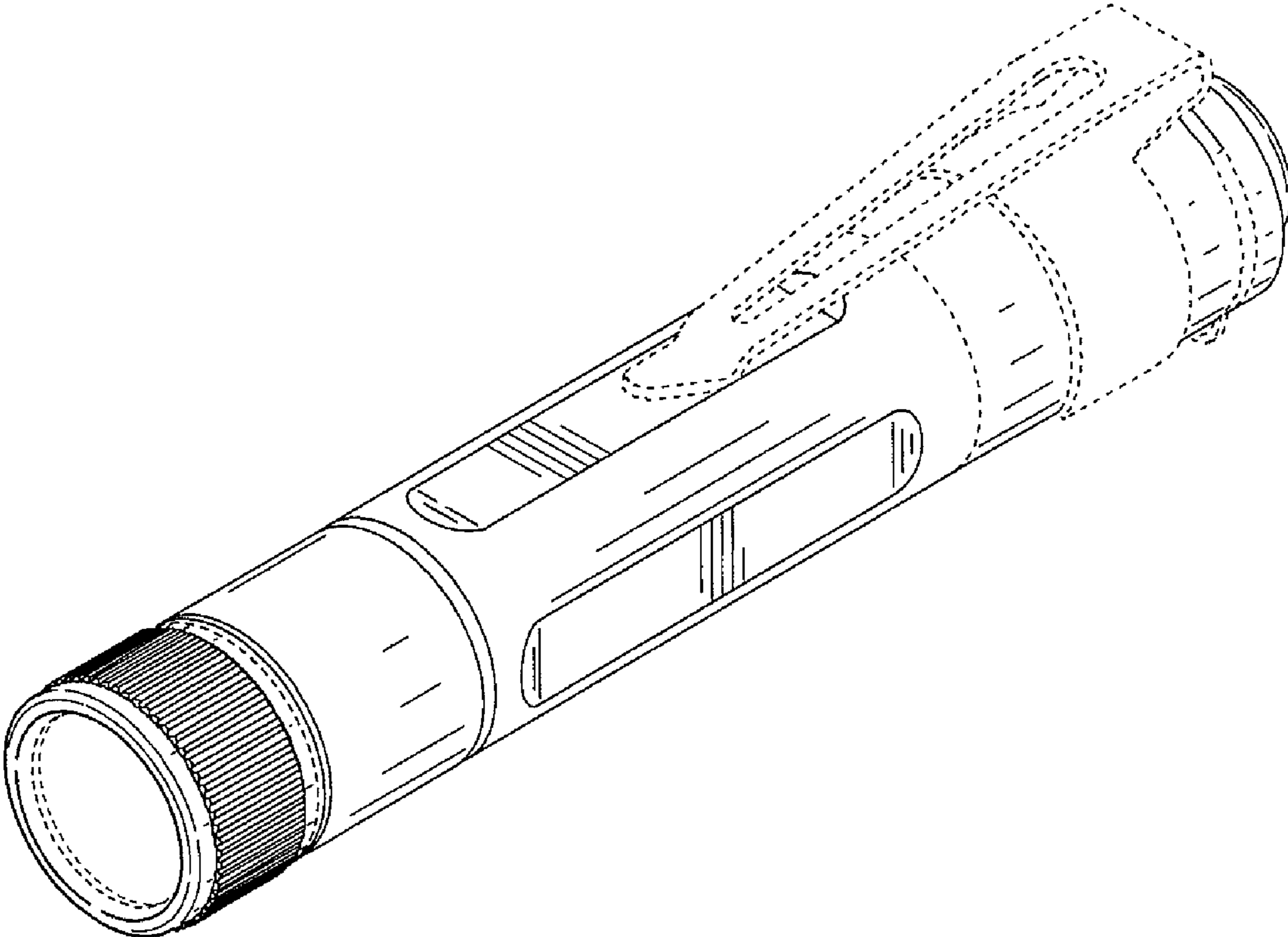


FIG. 8

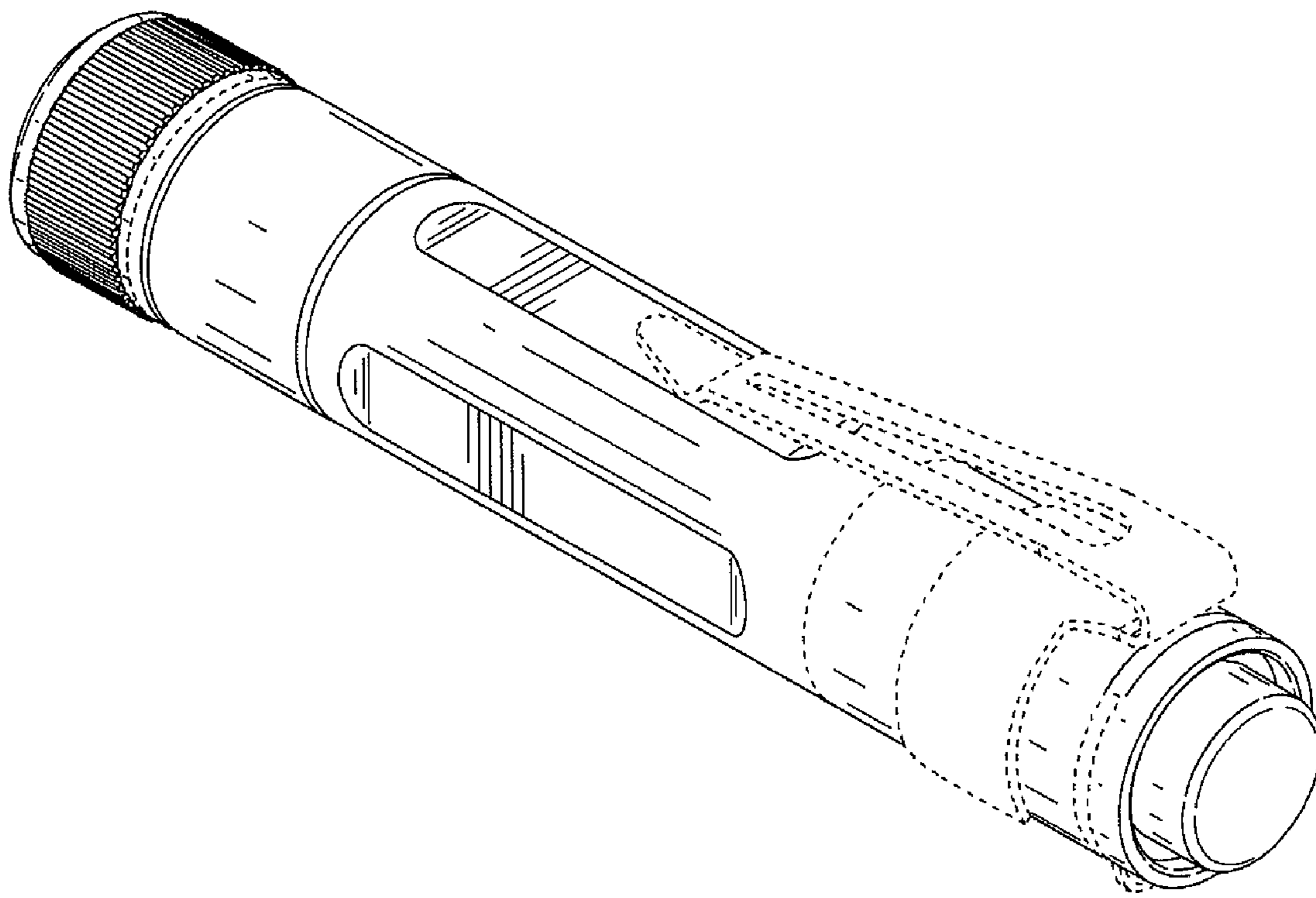


FIG. 9

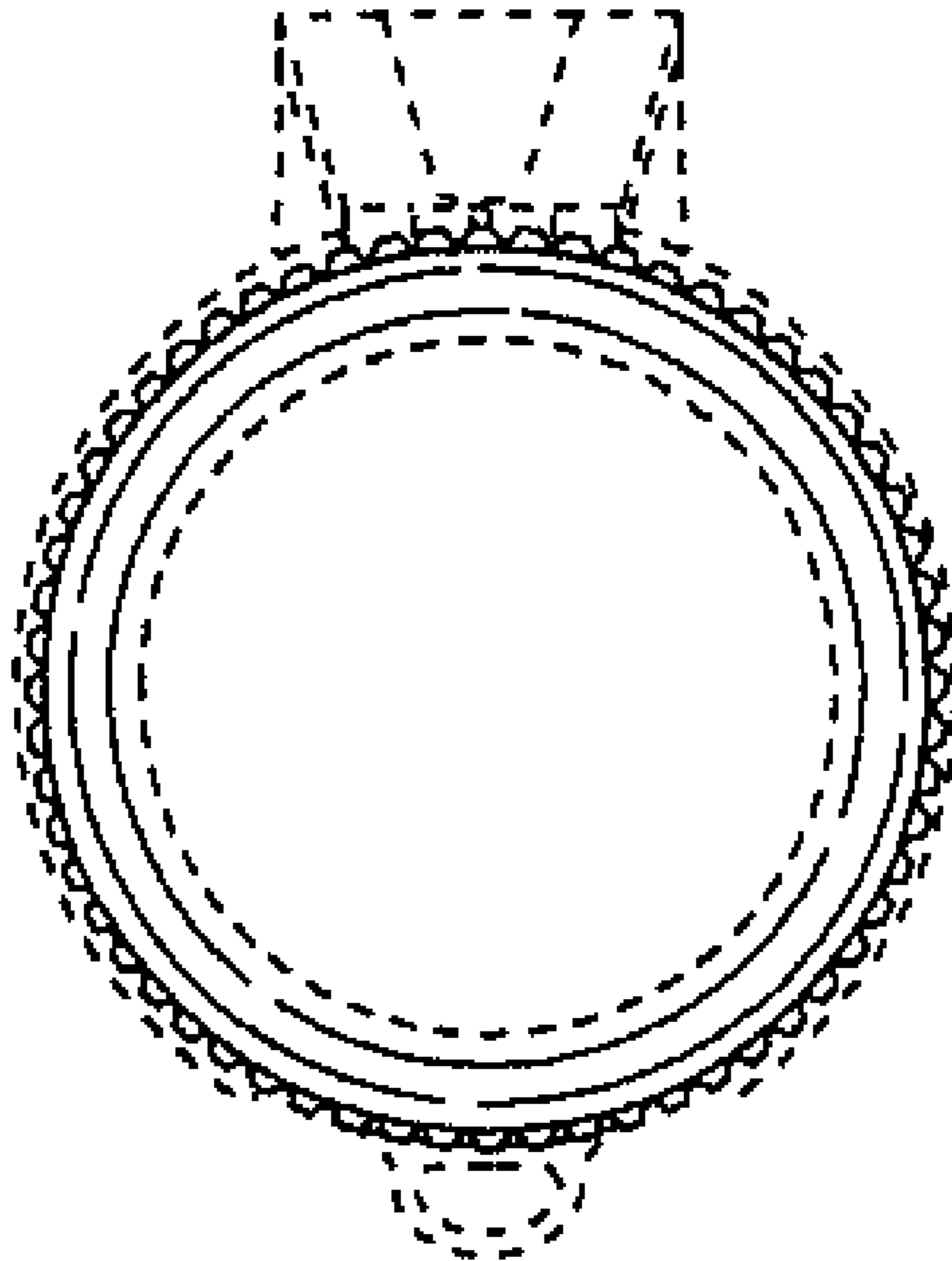


FIG. 10

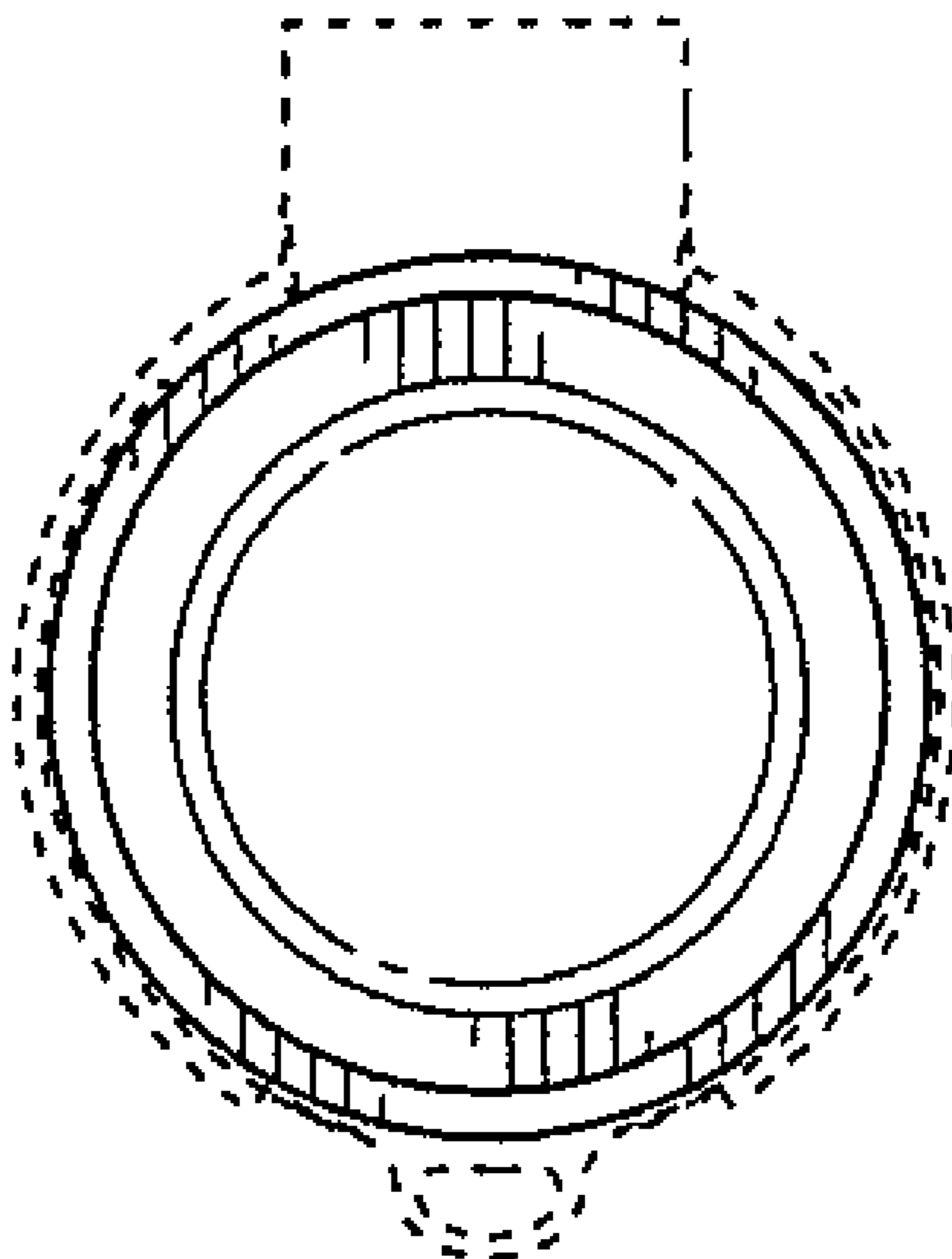


FIG. 11

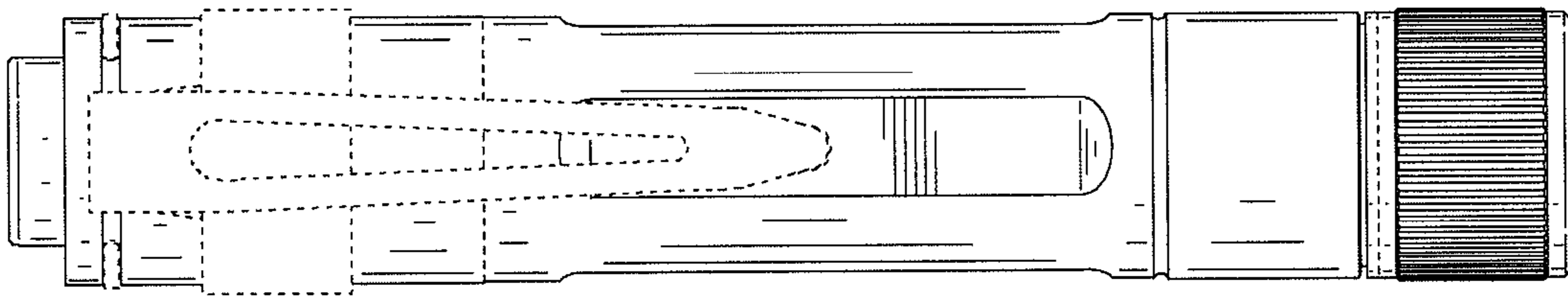


FIG. 12

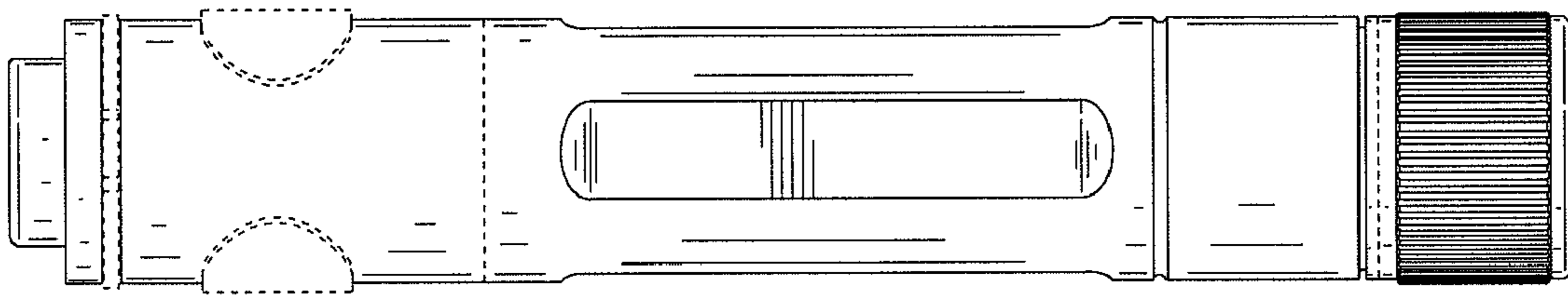


FIG. 13

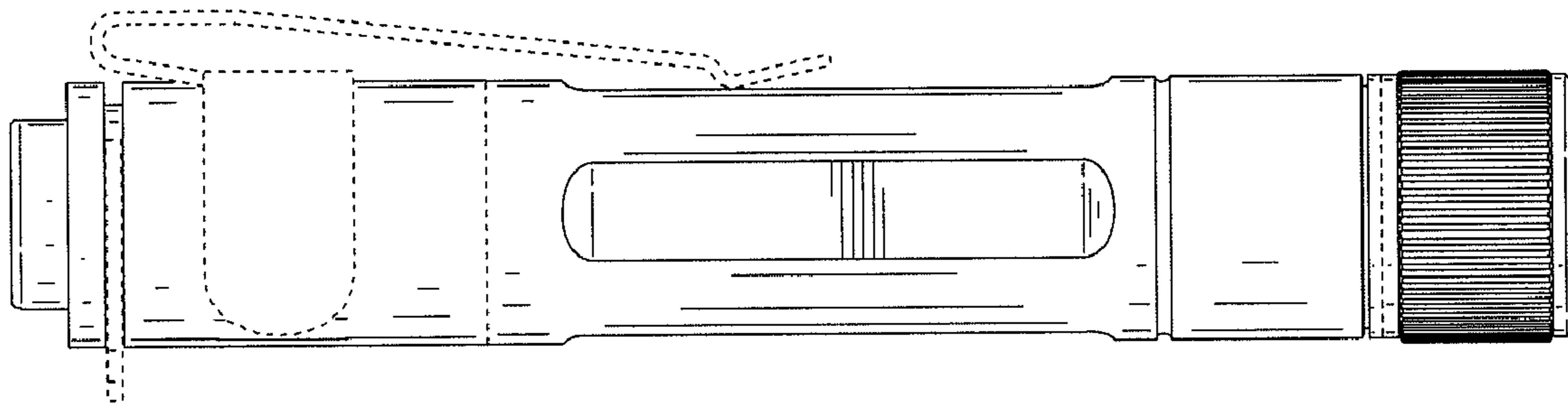


FIG. 14