



US00D593236S

(12) **United States Design Patent**  
**Ng et al.**

(10) **Patent No.:** **US D593,236 S**

(45) **Date of Patent:** **\*\* May 26, 2009**

(54) **WORKLAMP**

(75) Inventors: **Francis C. Ng**, Baltimore, MD (US);  
**Gabriel E. Concari**, Eldersburg, MD  
(US); **James B. Watson**, Fallston, MD  
(US)

(73) Assignee: **Black & Decker Inc.**, Newark, DE (US)

(\*\*) Term: **14 Years**

(21) Appl. No.: **29/299,982**

(22) Filed: **Jan. 8, 2008**

(51) **LOC (9) Cl.** ..... **26-02**

(52) **U.S. Cl.** ..... **D26/37**

(58) **Field of Classification Search** ..... D26/37,  
D26/42-46, 48, 50; 362/157, 158, 167-170,  
362/174-177, 183, 184, 187, 190, 194-208  
See application file for complete search history.

(56) **References Cited**

**U.S. PATENT DOCUMENTS**

- D288,371 S \* 2/1987 Lacher et al. .... D26/50
- D351,037 S \* 9/1994 Poon ..... D26/42
- D357,757 S \* 4/1995 Bamber et al. .... D26/37

- D534,861 S \* 1/2007 Lam ..... D13/102
- D536,299 S \* 2/2007 Lam ..... D13/102
- D553,771 S \* 10/2007 Watson et al. .... D26/37
- D558,369 S \* 12/2007 O'Hern ..... D26/42

\* cited by examiner

*Primary Examiner*—Ian Simmons

*Assistant Examiner*—Carissa C Fitts

(74) *Attorney, Agent, or Firm*—Michael Aronoff; Adan Ayala

(57) **CLAIM**

The ornamental design for a worklamp, as shown and described.

**DESCRIPTION**

FIG. 1 is a front perspective view of a worklamp according to the invention.

FIG. 2 is a front elevational view of the worklamp.

FIG. 3 is a rear elevational view of the worklamp.

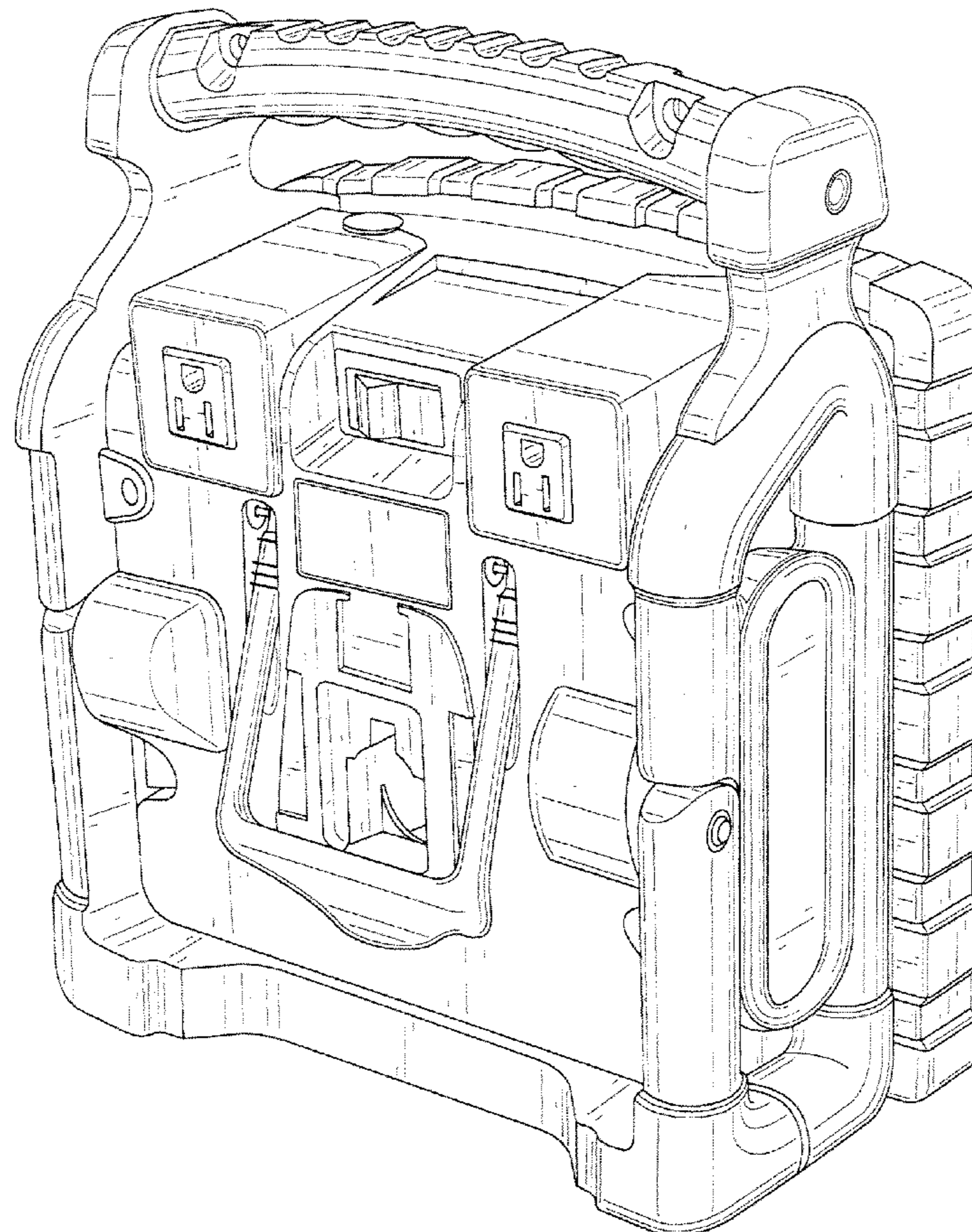
FIG. 4 is a left side elevational view of the worklamp.

FIG. 5 is a right side elevational view of the worklamp.

FIG. 6 is a top plan view of the worklamp; and,

FIG. 7 is a bottom plan view of the worklamp.

**1 Claim, 7 Drawing Sheets**



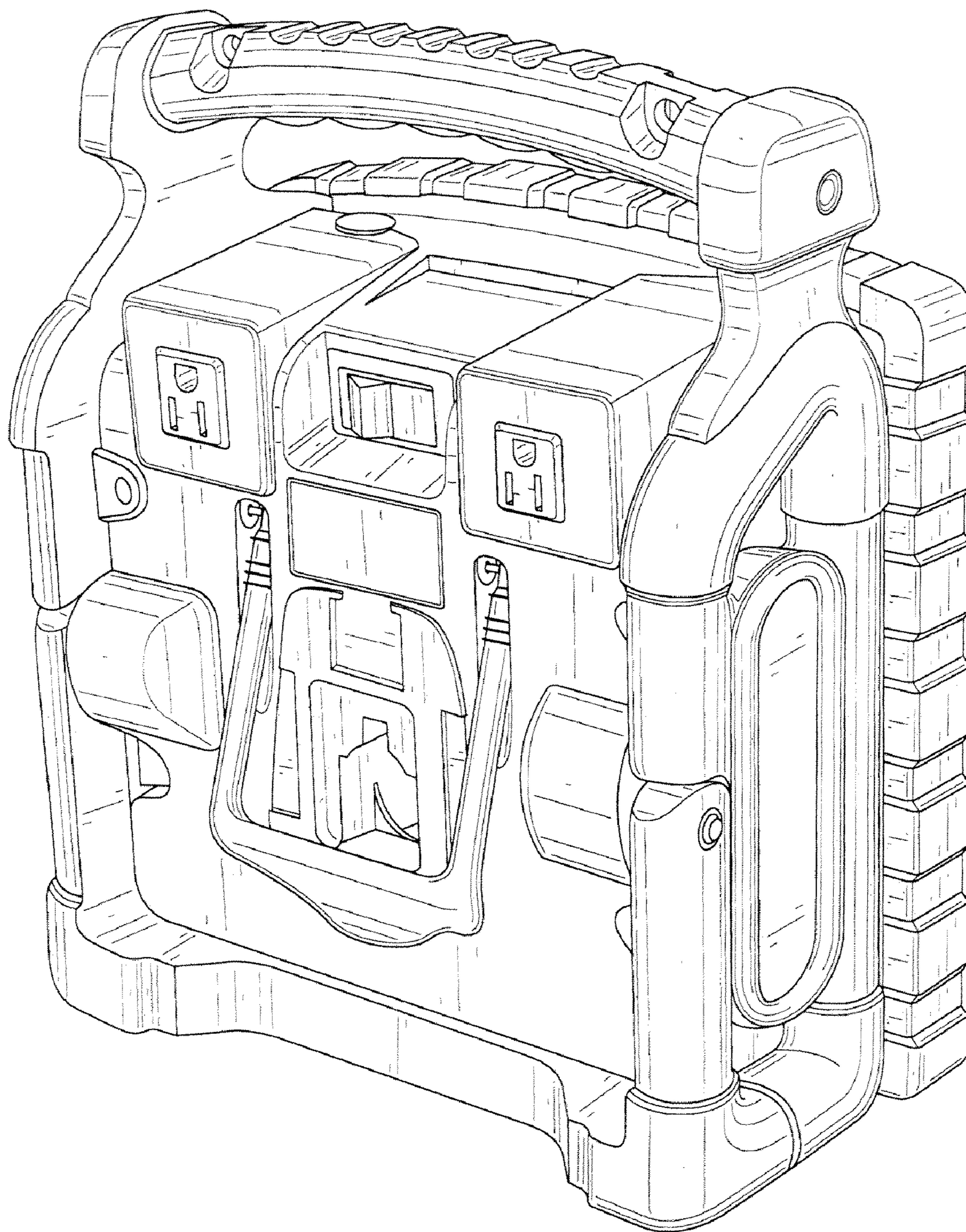


FIG. 1

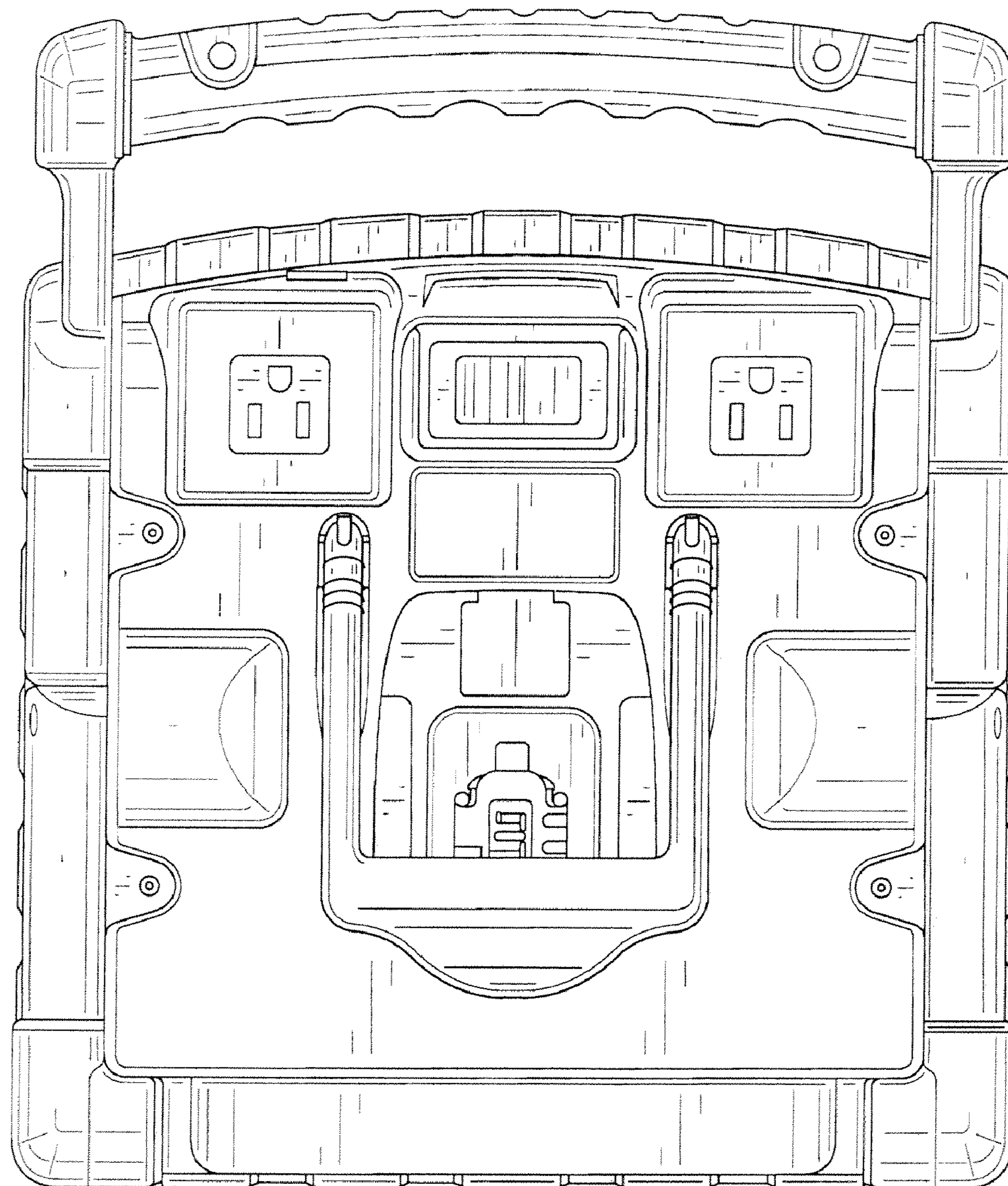


FIG. 2

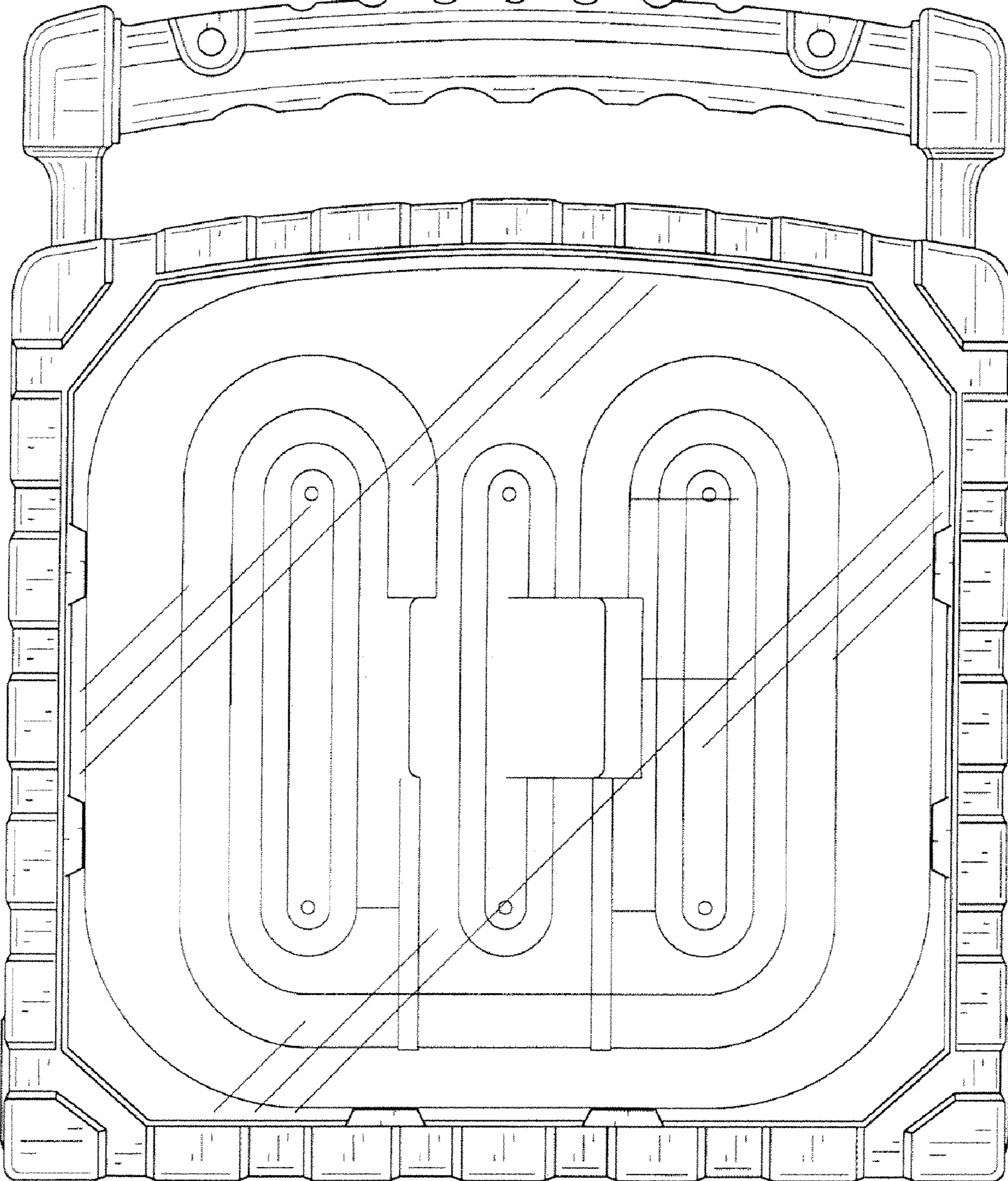


FIG. 3

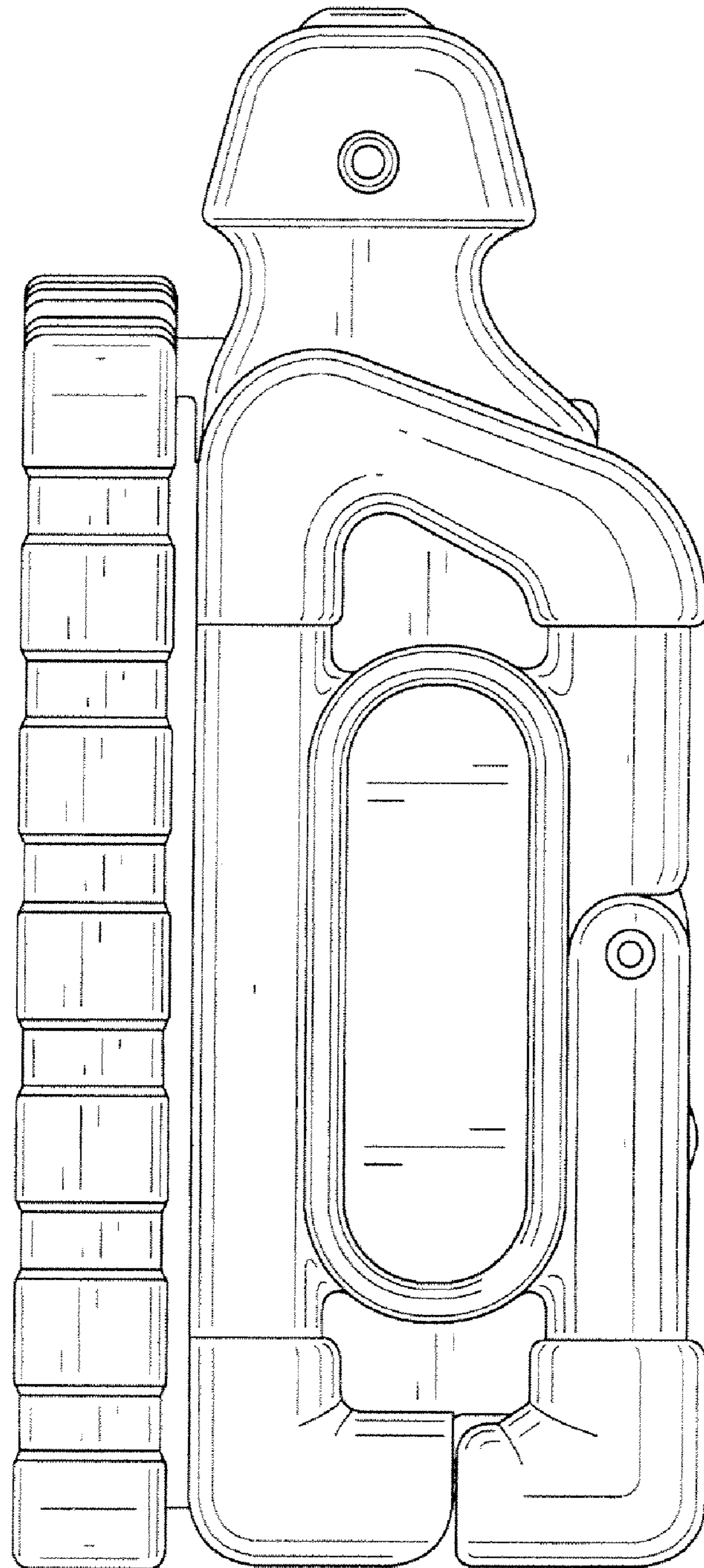


FIG. 4

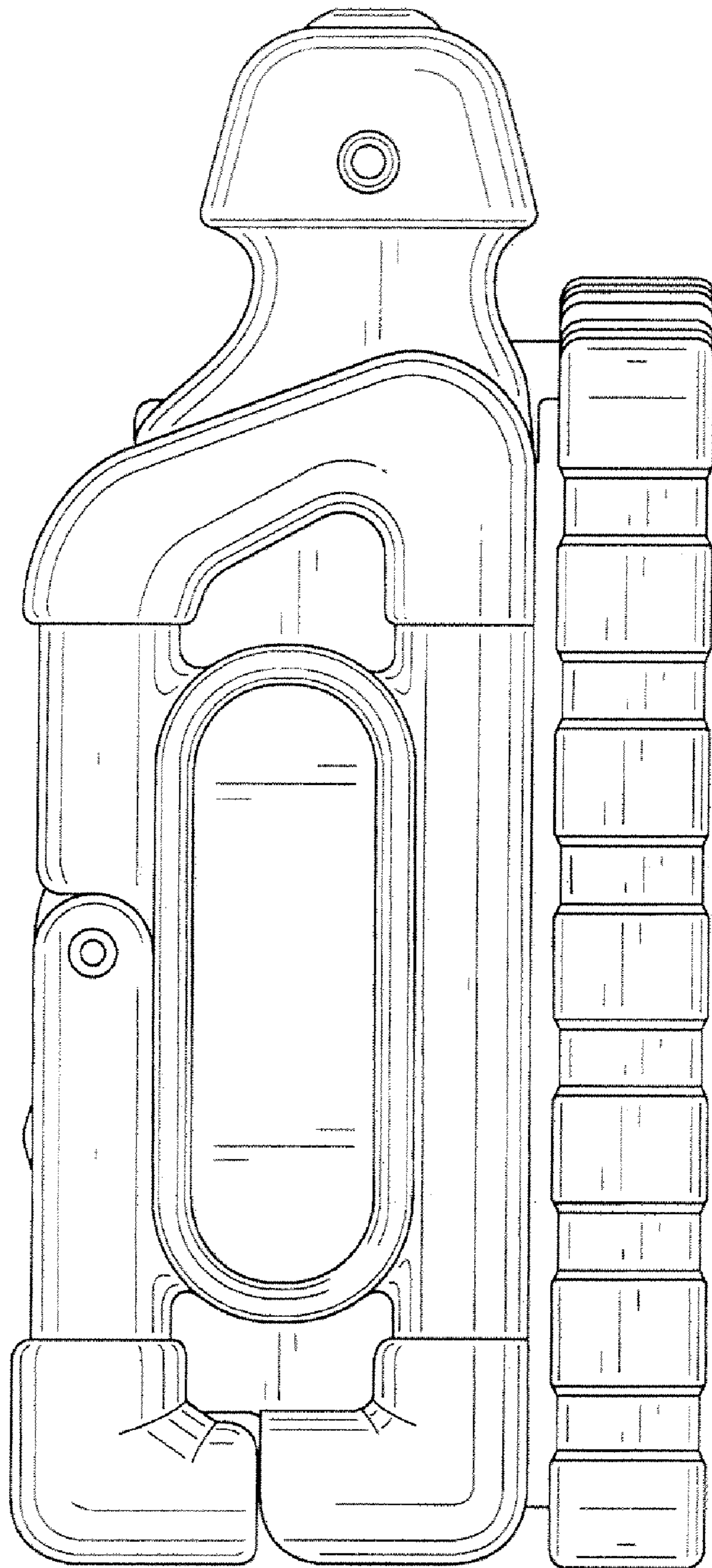


FIG. 5

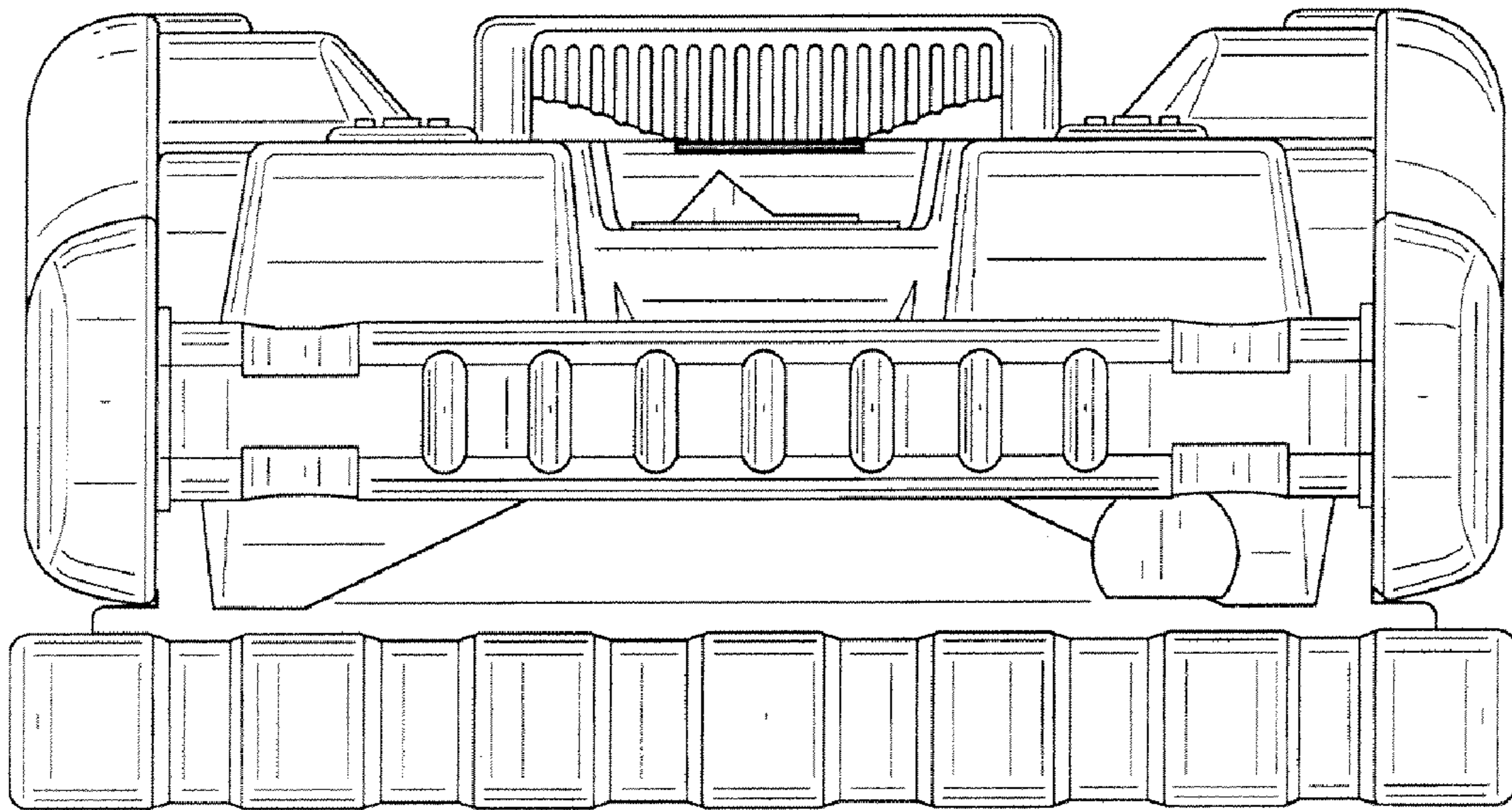


FIG. 6

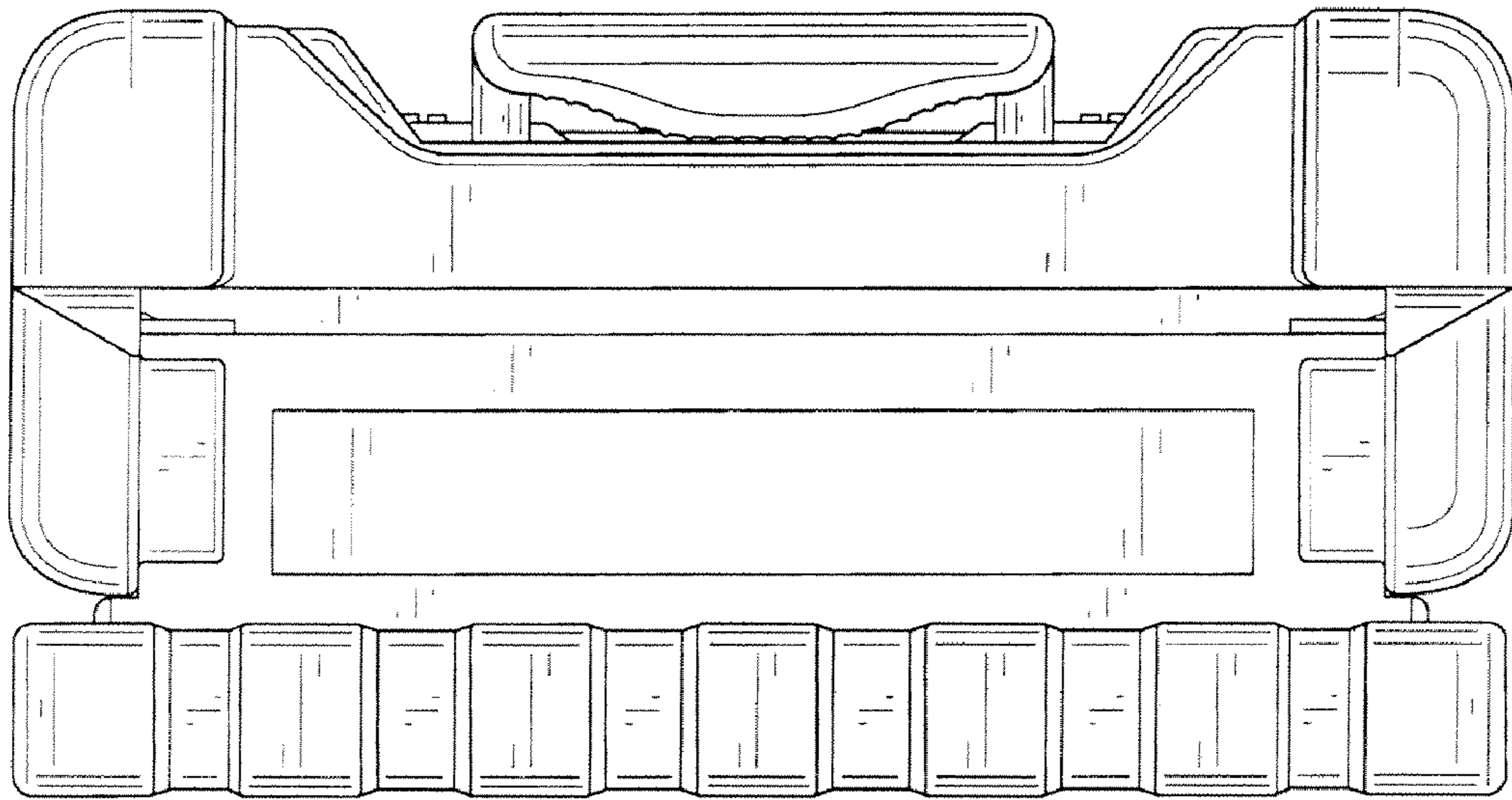


FIG. 7