



US00D593234S

(12) **United States Design Patent**
Matsumura

(10) **Patent No.:** **US D593,234 S**

(45) **Date of Patent:** **** May 26, 2009**

(54) **TURN SIGNAL LAMP FOR A MOTORCYCLE**

D499,824 S * 12/2004 Wu D26/28

(75) Inventor: **Norikazu Matsumura**, Akasi (JP)

* cited by examiner

Primary Examiner—Marcus A. Jackson

(73) Assignee: **Kawasaki Jukogyo Kabushiki Kaisha**,
Hyogo (JP)

(57) **CLAIM**

(**) Term: **14 Years**

The ornamental design for a turn signal lamp for a motorcycle, as shown and described.

(21) Appl. No.: **29/304,670**

DESCRIPTION

(22) Filed: **Mar. 5, 2008**

FIG. 1 is a front elevational view of a turn signal lamp for a motorcycle showing my new design;

(30) **Foreign Application Priority Data**

Sep. 10, 2007 (JP) 2007-024575

FIG. 2 is a rear elevational view thereof;

(51) **LOC (9) Cl.** **26-06**

(52) **U.S. Cl.** **D26/30**

(58) **Field of Classification Search** D26/28-36;
362/80, 81, 82, 83, 267, 269, 275, 330-340
See application file for complete search history.

FIG. 3 is a left side elevational view thereof;

FIG. 4 is a right side elevational view thereof;

FIG. 5 is a top plan view thereof;

FIG. 6 is a bottom plan view thereof;

FIG. 7 is a front perspective view thereof; and,

FIG. 8 is a rear perspective view thereof.

The broken line showing of the environment is for illustrative purposes only and forms no part of the claimed designs.

The portion encompassed by a solid line is the design sought to be patented.

(56) **References Cited**

U.S. PATENT DOCUMENTS

D280,666 S * 9/1985 Haynes D26/125

D495,748 S * 9/2004 Leland D20/29

1 Claim, 4 Drawing Sheets

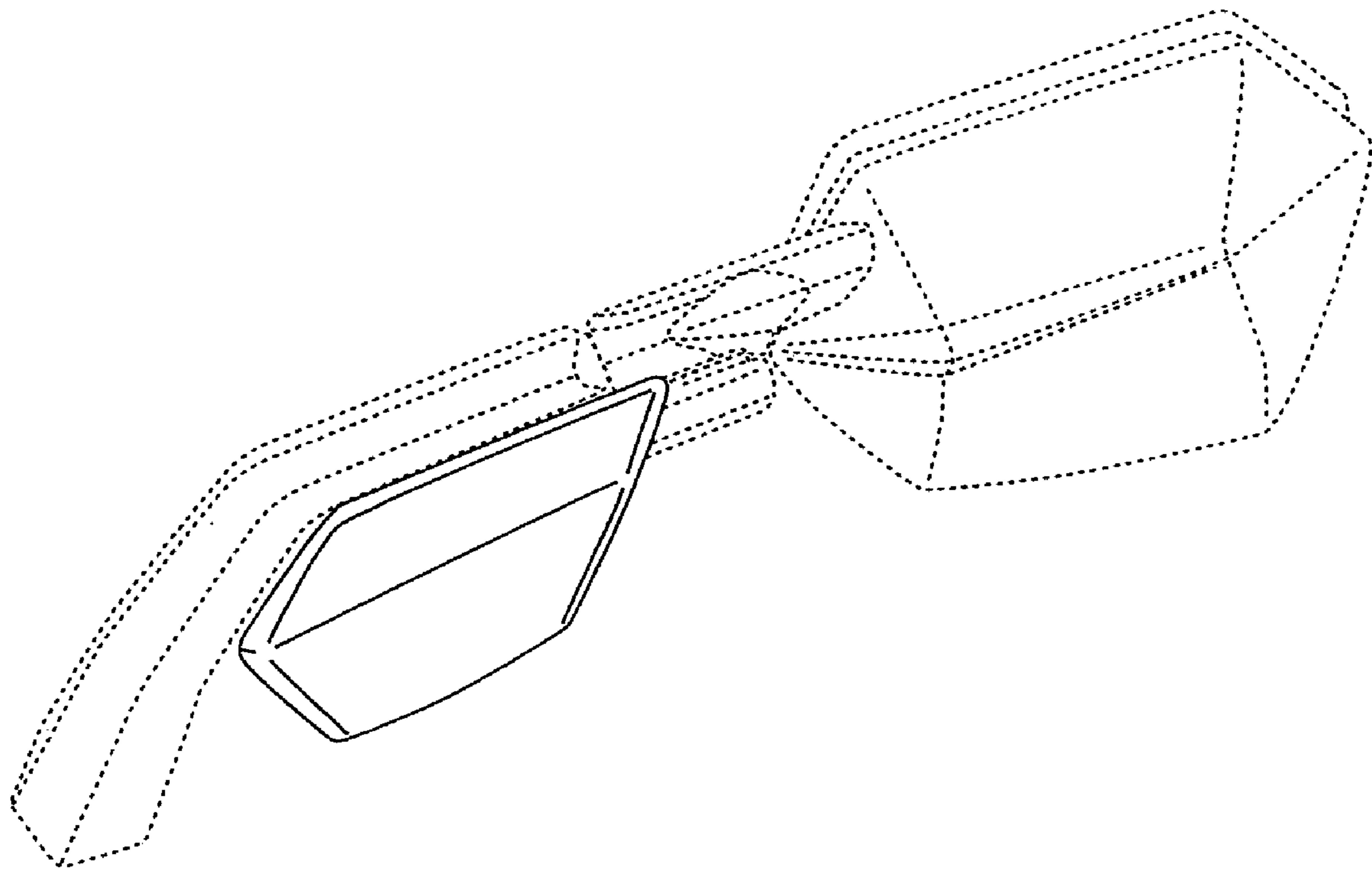


Fig.1

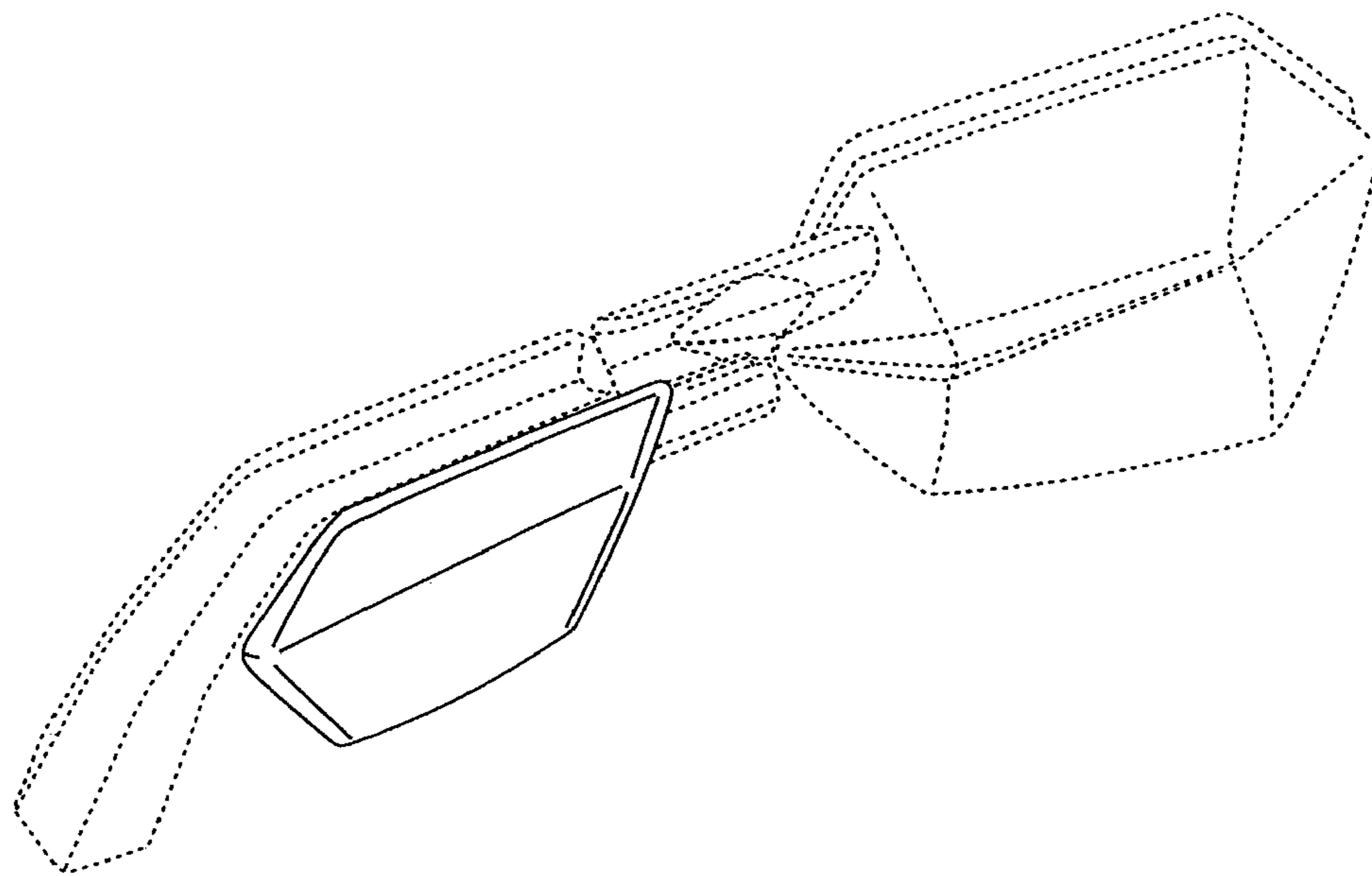


Fig.2

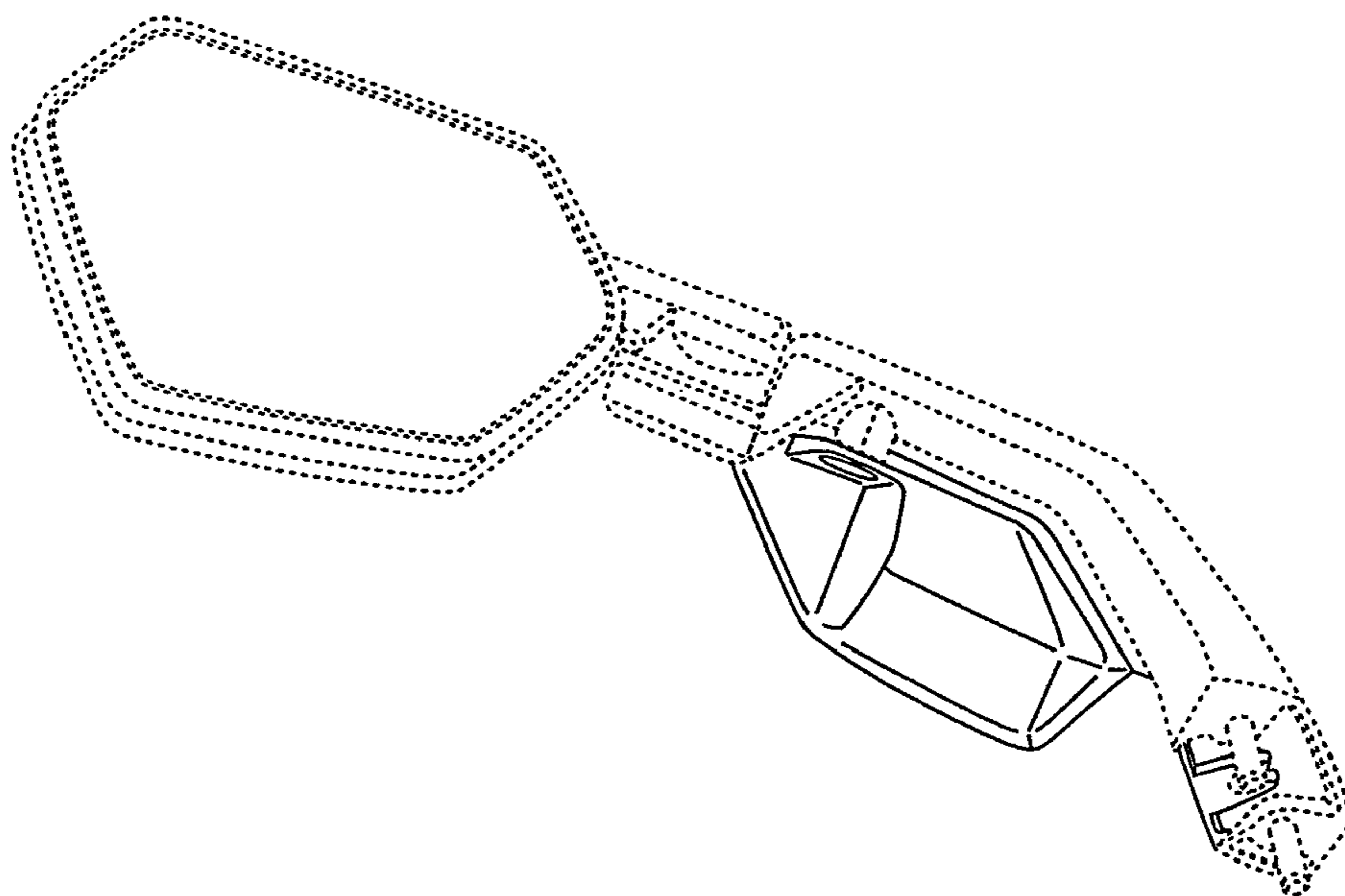


Fig.3

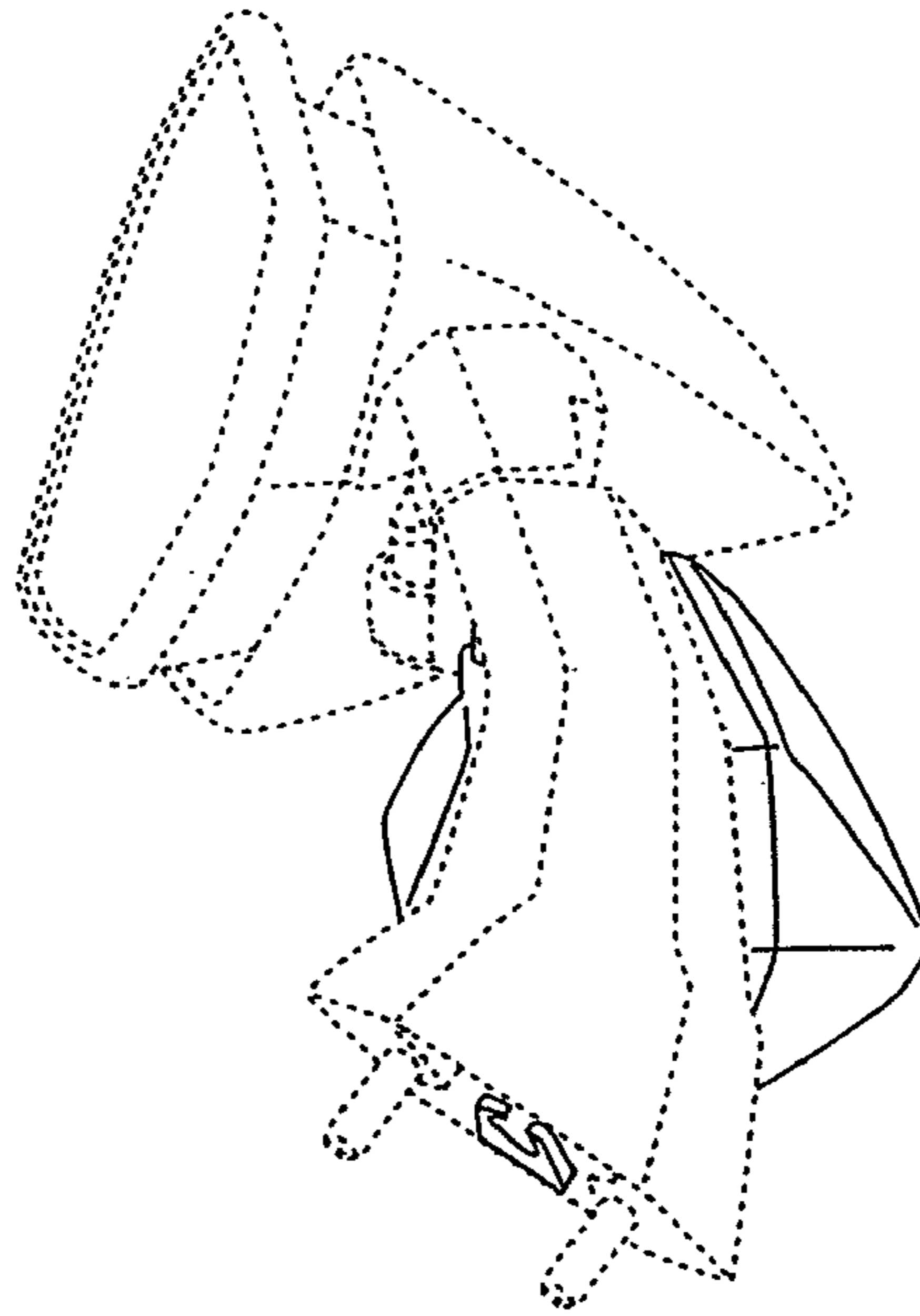


Fig.4

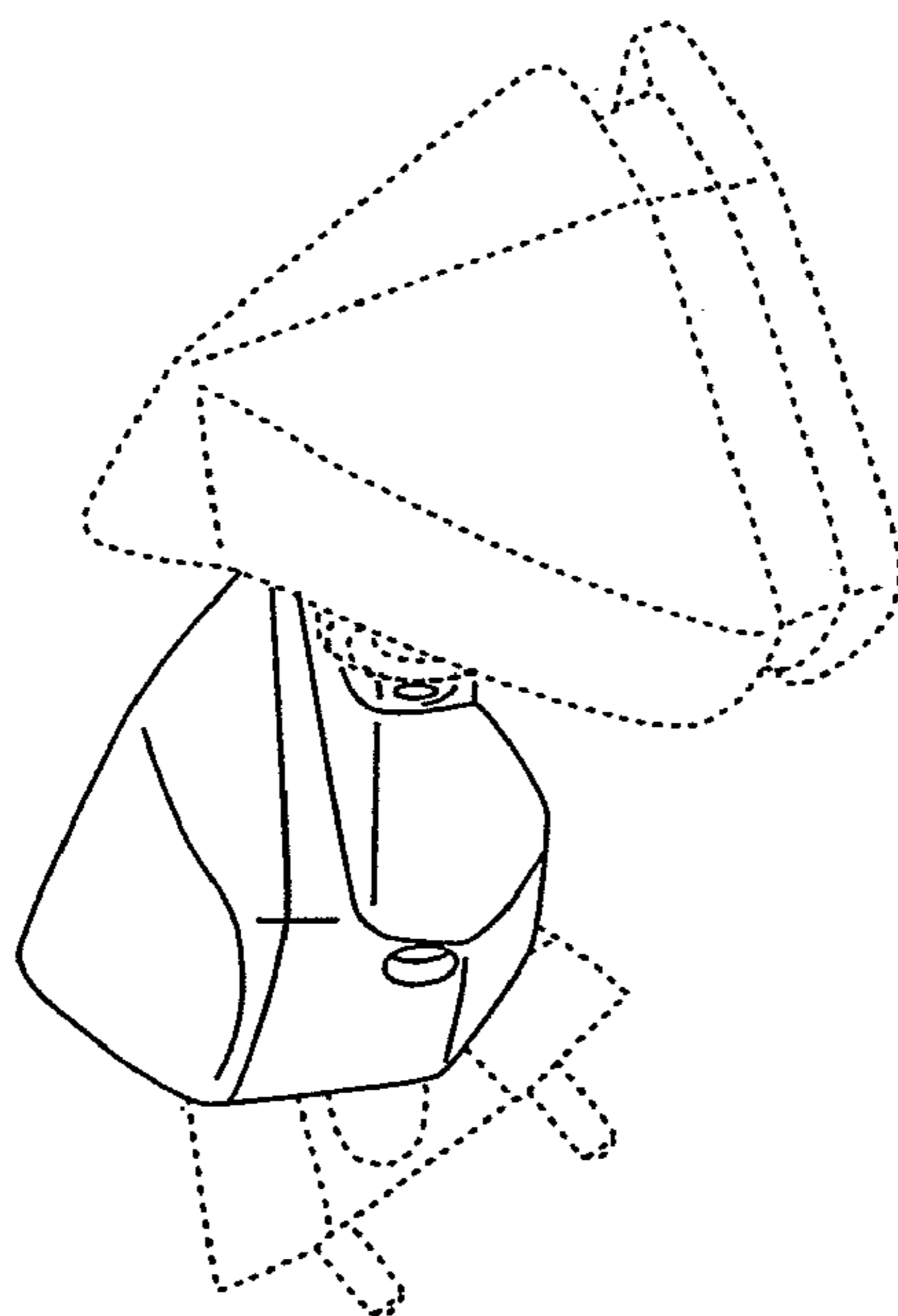


Fig.5

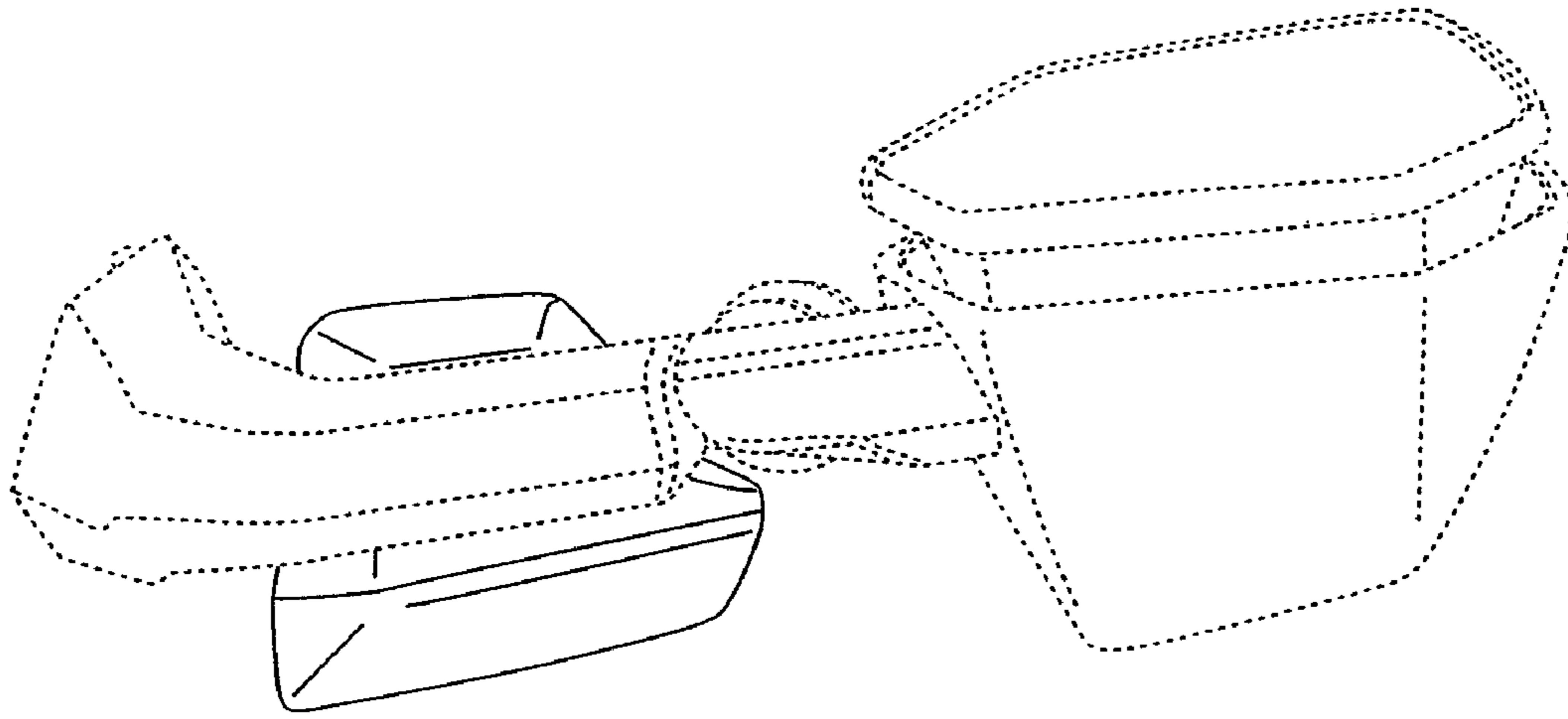


Fig.6

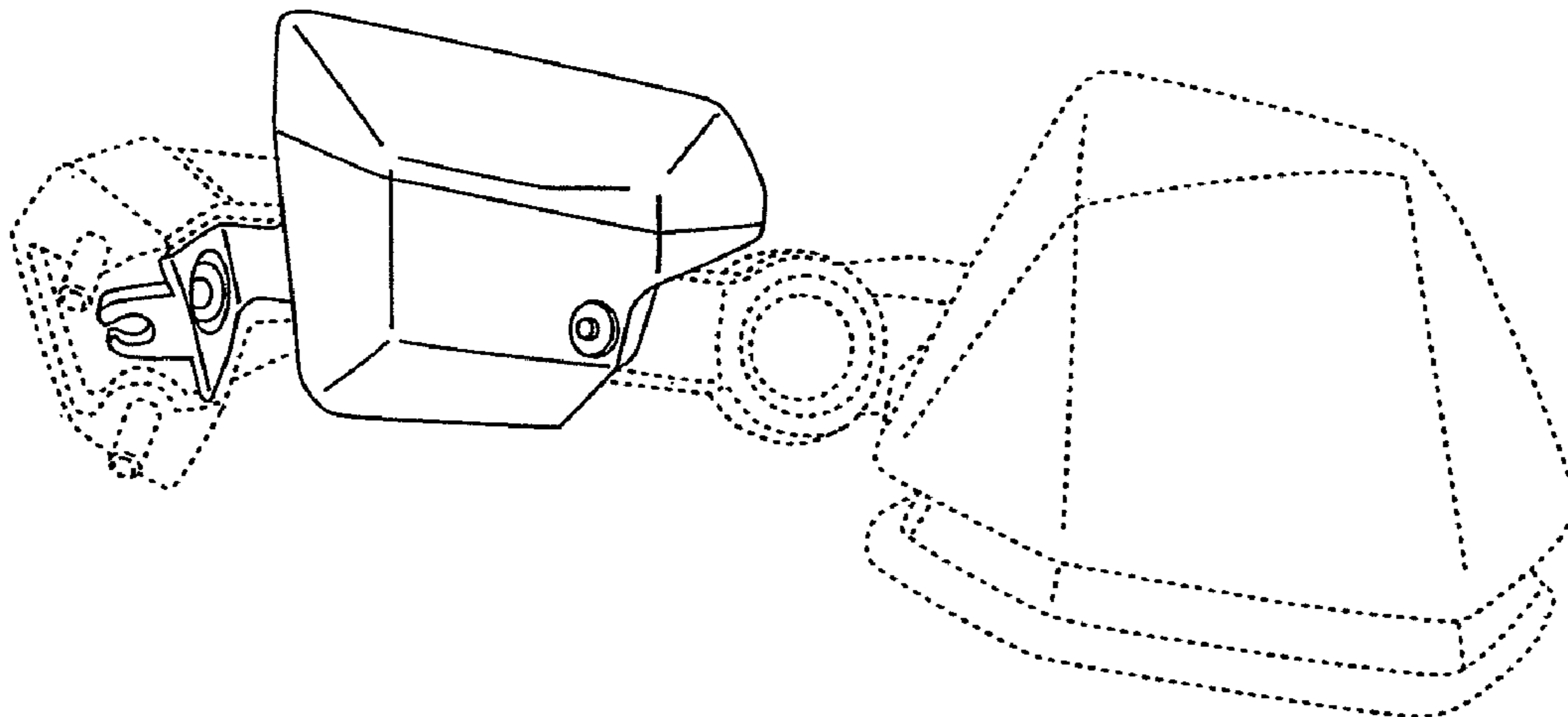


Fig.7

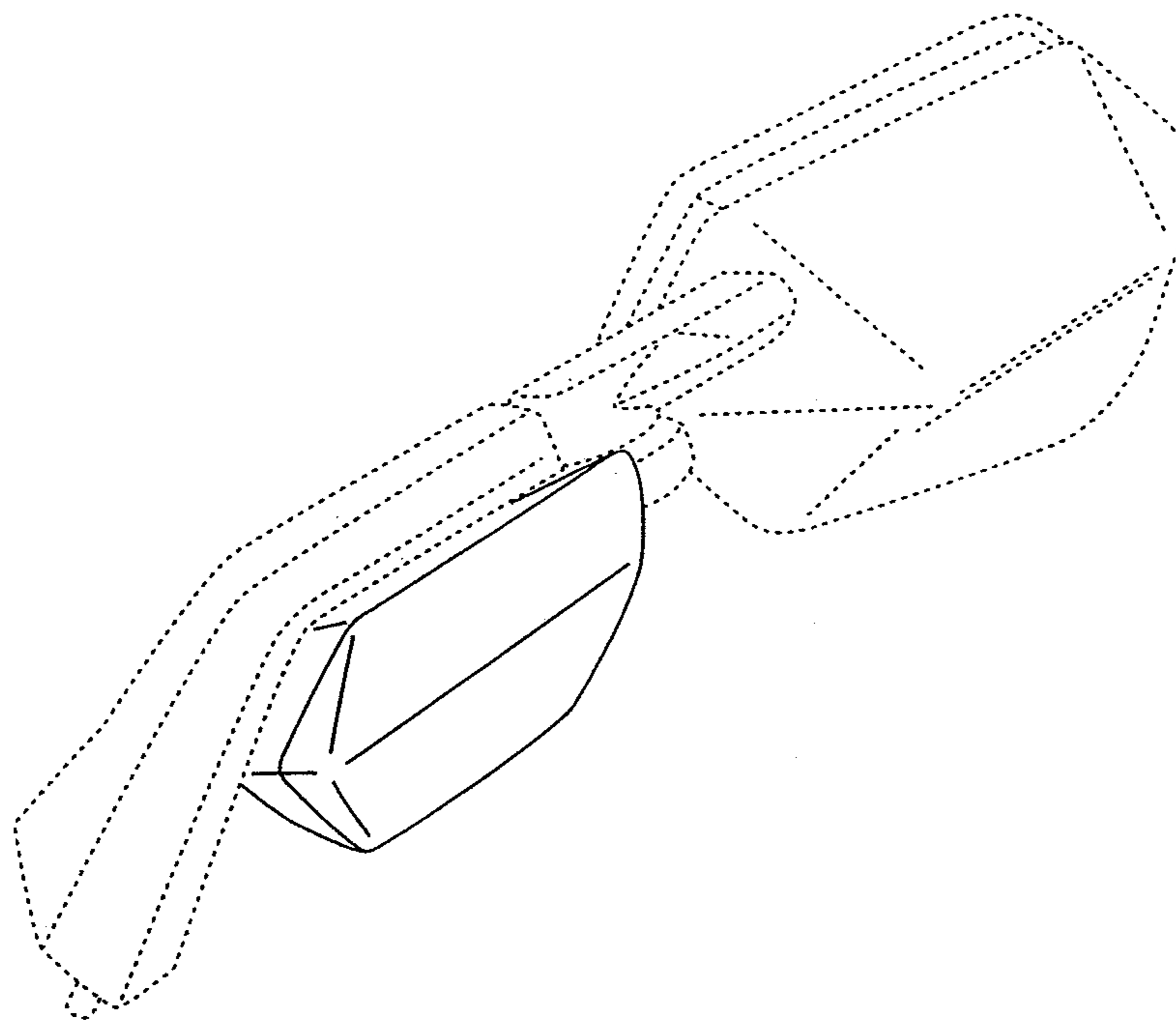


Fig.8

