



US00D593233S

(12) **United States Design Patent**  
**Bai et al.**

(10) **Patent No.:** **US D593,233 S**

(45) **Date of Patent:** **\*\* May 26, 2009**

(54) **CAR HEADLIGHT**

(75) Inventors: **JunMing Bai**, Shenzhen (CN);  
**HongJun Wang**, Shenzhen (CN); **Jun Dai**, Shenzhen (CN)

(73) Assignee: **BYD Company Limited**, Shenzhen (CN)

(\*\*) Term: **14 Years**

(21) Appl. No.: **29/330,854**

(22) Filed: **Jan. 15, 2009**

(30) **Foreign Application Priority Data**

Jul. 23, 2008 (CN) ..... 2008 3 0105441

(51) **LOC (9) Cl.** ..... **26-06**

(52) **U.S. Cl.** ..... **D26/28**

(58) **Field of Classification Search** ..... D26/28-36;  
362/157, 158, 171-174, 183-208  
See application file for complete search history.

(56) **References Cited**

**U.S. PATENT DOCUMENTS**

D560,291 S \* 1/2008 Koyama ..... D26/28

D560,832 S \* 1/2008 Hsu ..... D26/28  
D561,358 S \* 2/2008 Tachibana ..... D26/28  
D561,359 S \* 2/2008 Hsu ..... D26/28  
D563,576 S \* 3/2008 Hanaoka ..... D26/28  
D570,007 S \* 5/2008 Hsu ..... D26/28

\* cited by examiner

*Primary Examiner*—Marcus A. Jackson

(74) *Attorney, Agent, or Firm*—Greenberg Traurig, LLP

(57) **CLAIM**

The ornamental design for a car headlight, substantially as shown and described.

**DESCRIPTION**

FIG. 1 is a perspective view of a car headlight in accordance with the present design;

FIG. 2 is a front view of the car headlight;

FIG. 3 is a rear view of the car headlight;

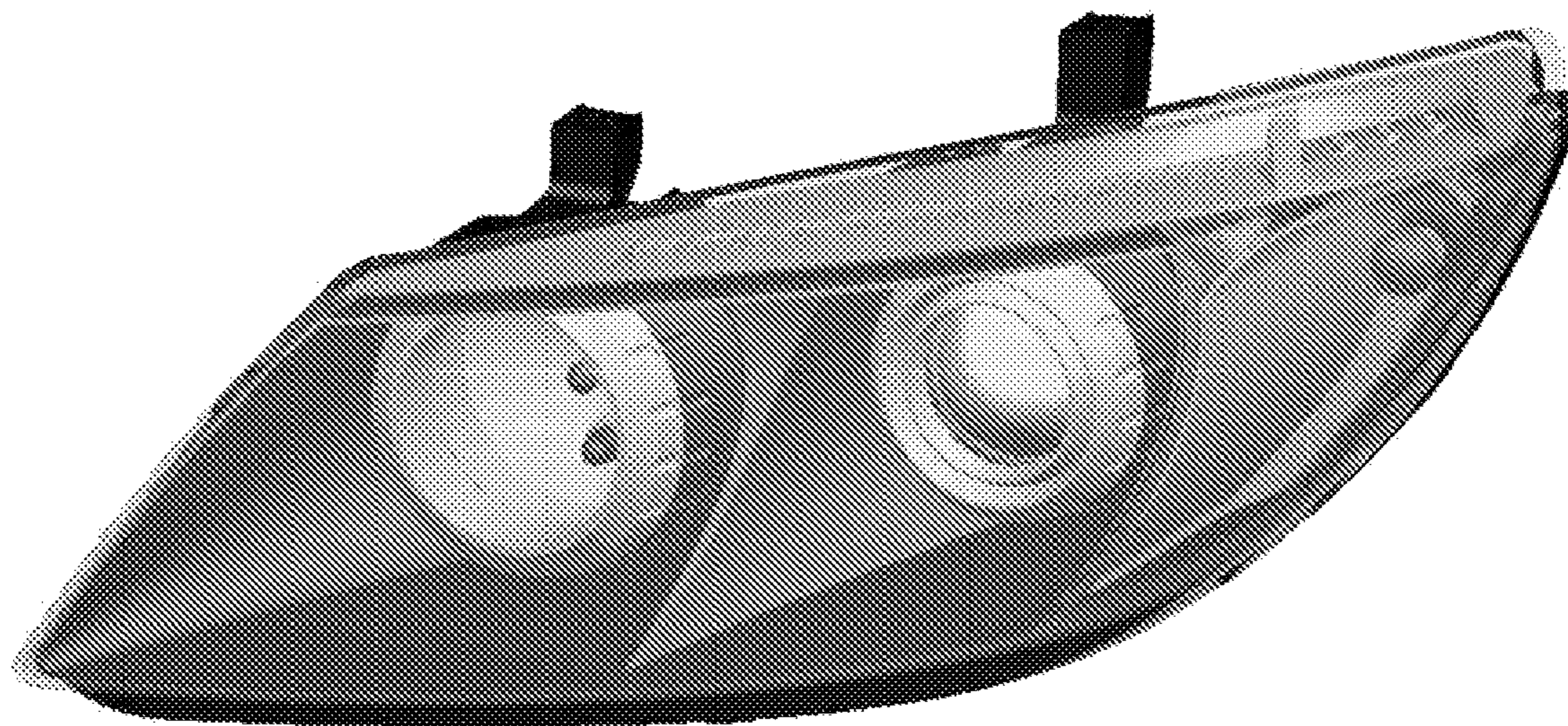
FIG. 4 is a left side view of the car headlight;

FIG. 5 is a right side view of the car headlight;

FIG. 6 is a top plan view of the car headlight; and,

FIG. 7 is a bottom plan view of the car headlight.

**1 Claim, 5 Drawing Sheets**



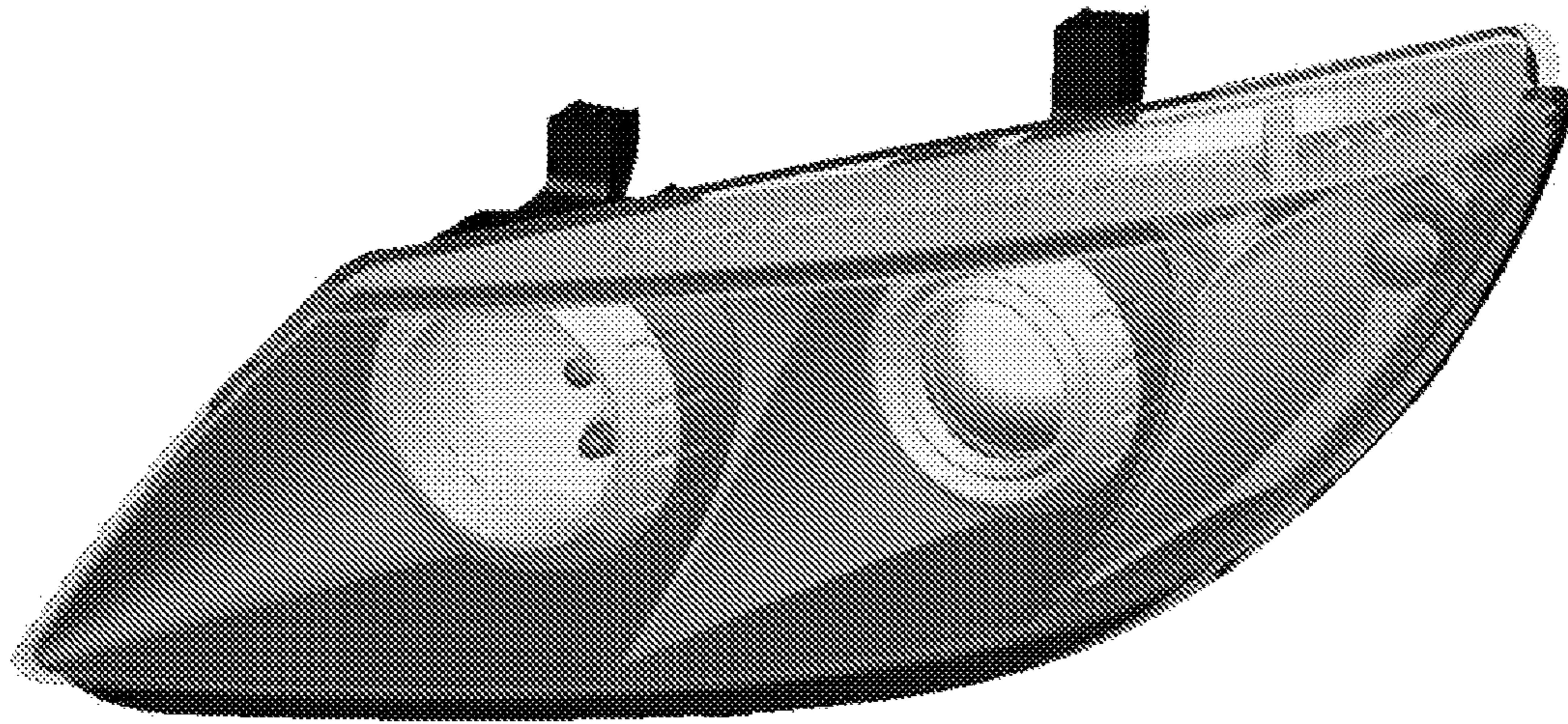


FIG. 1

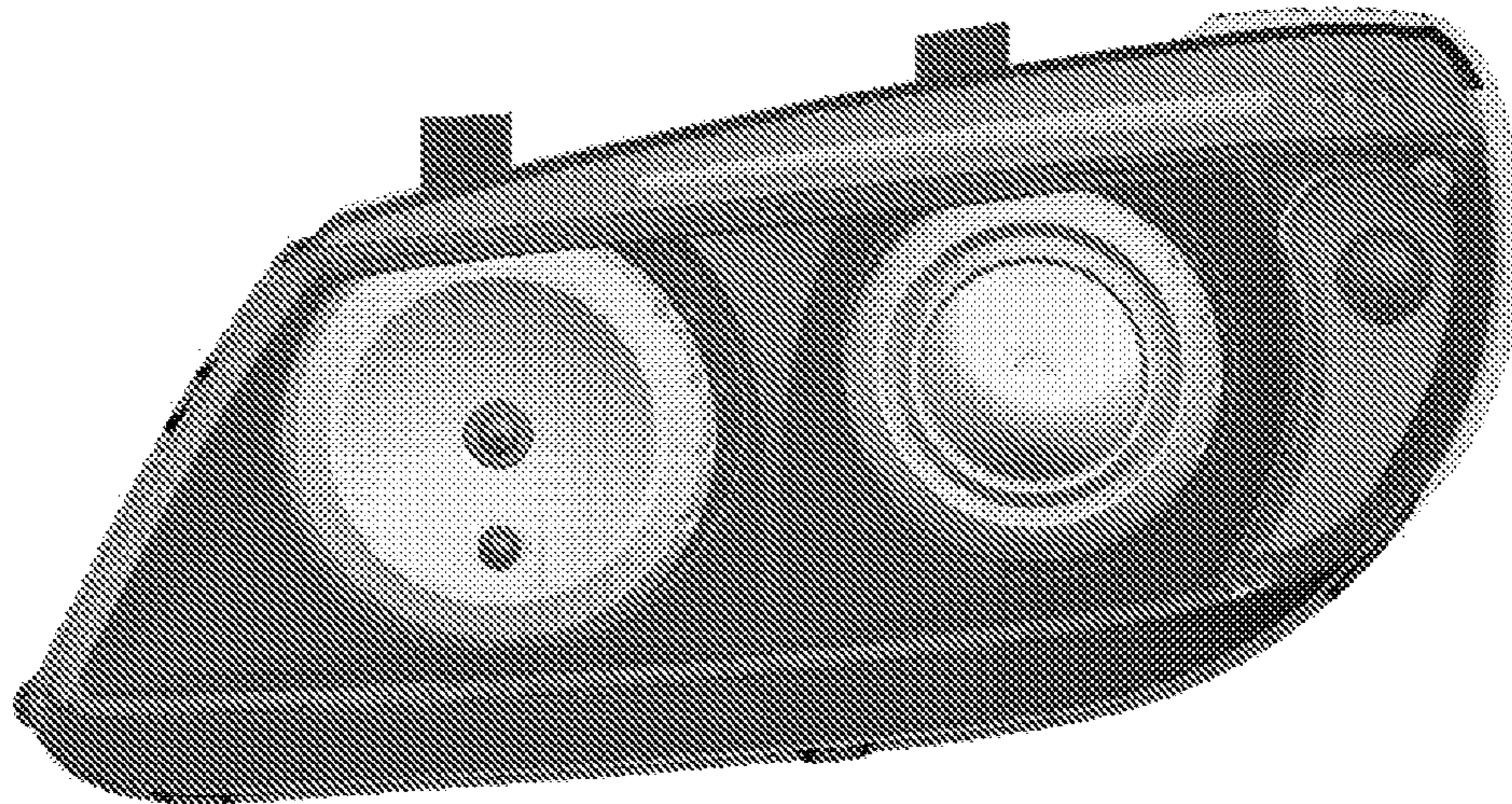


FIG. 2

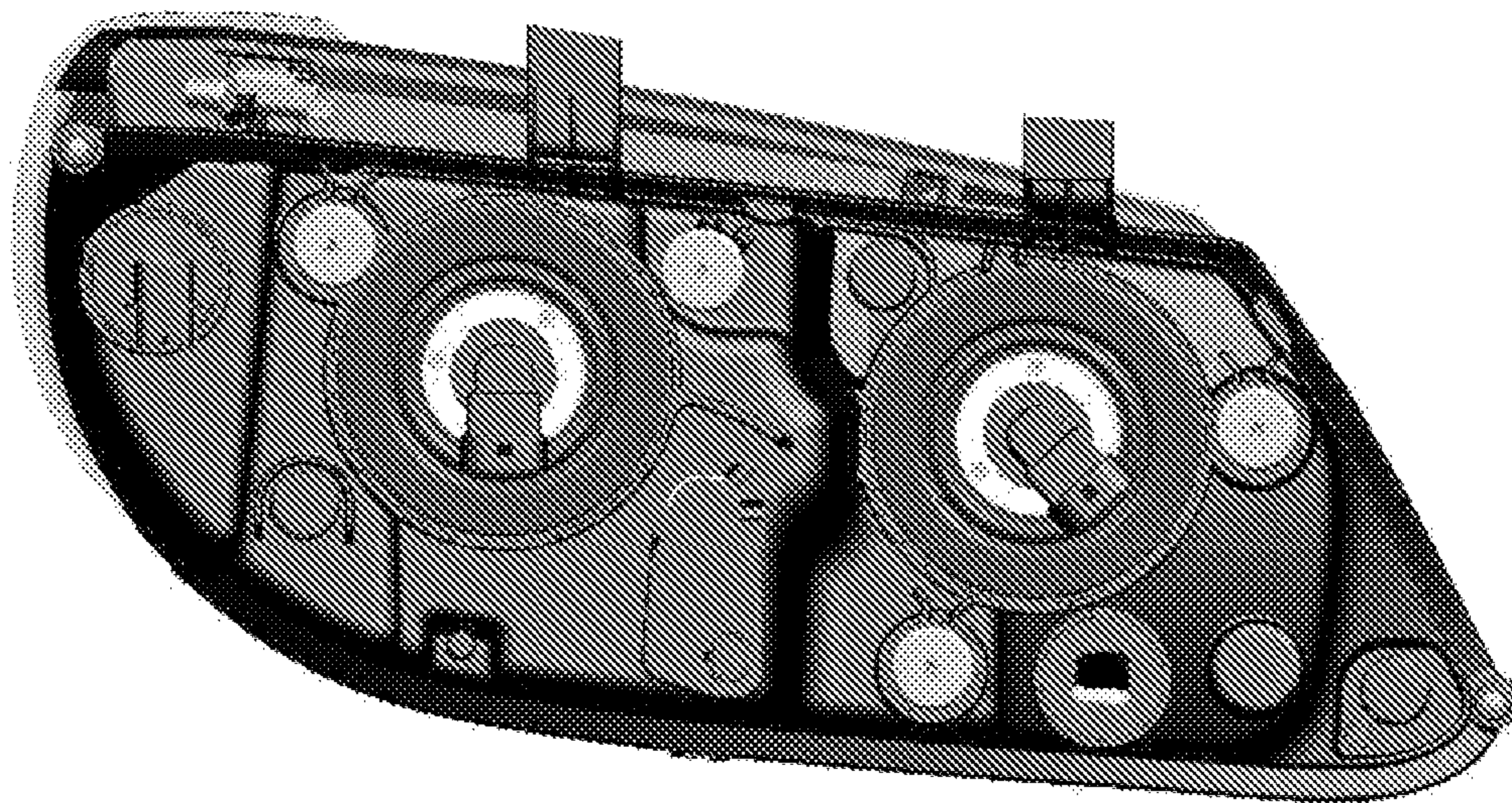


FIG. 3

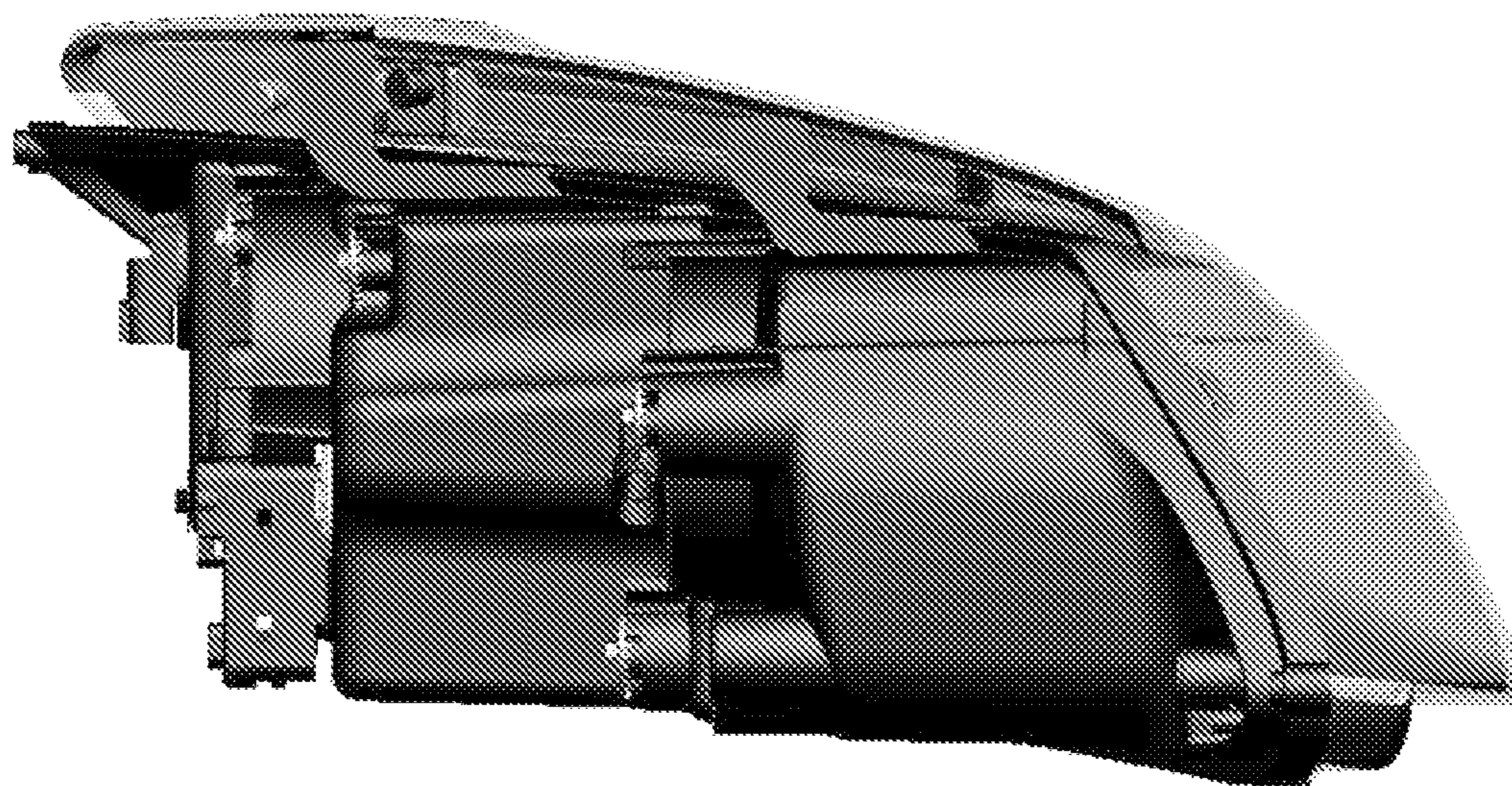


FIG. 4

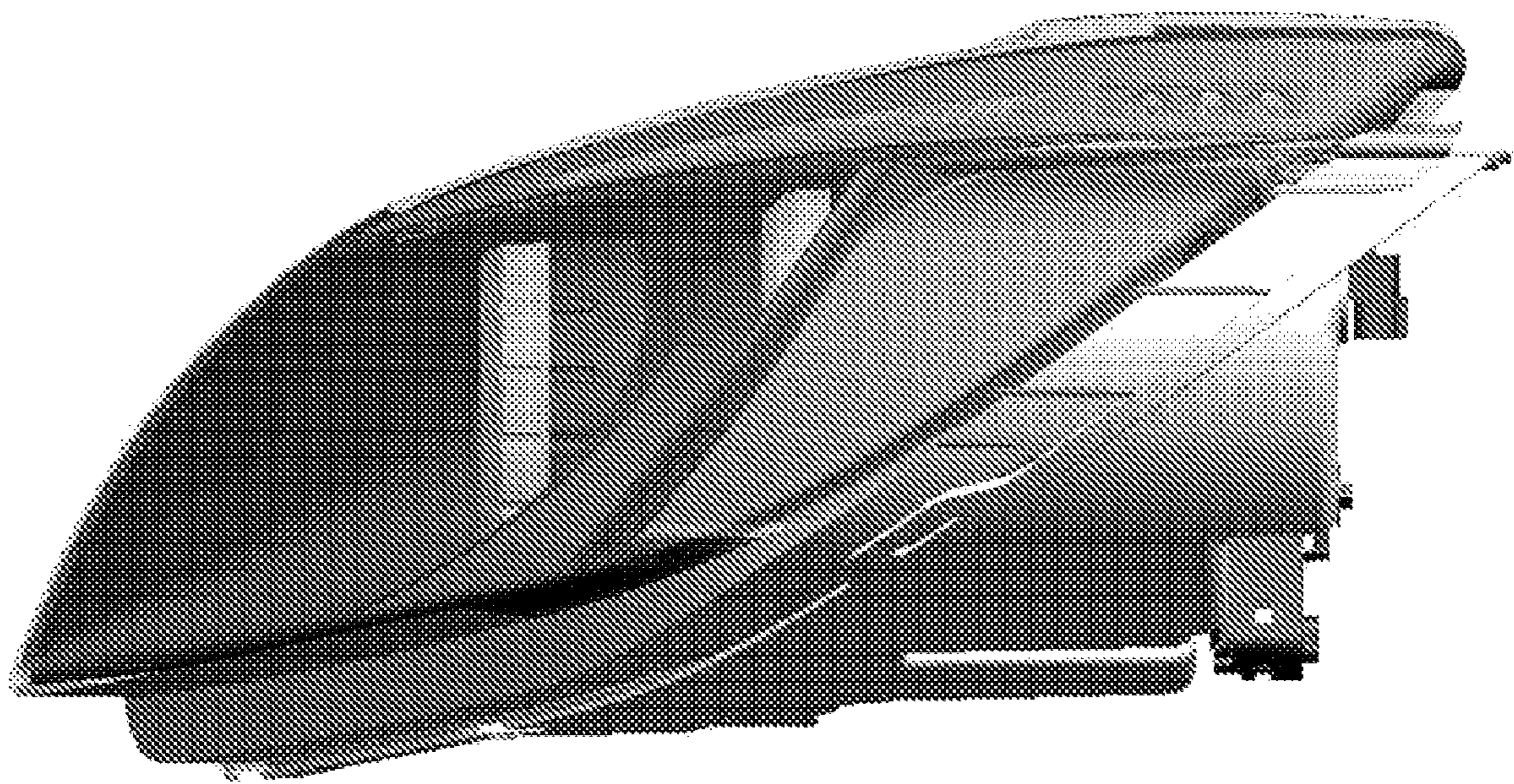


FIG. 5

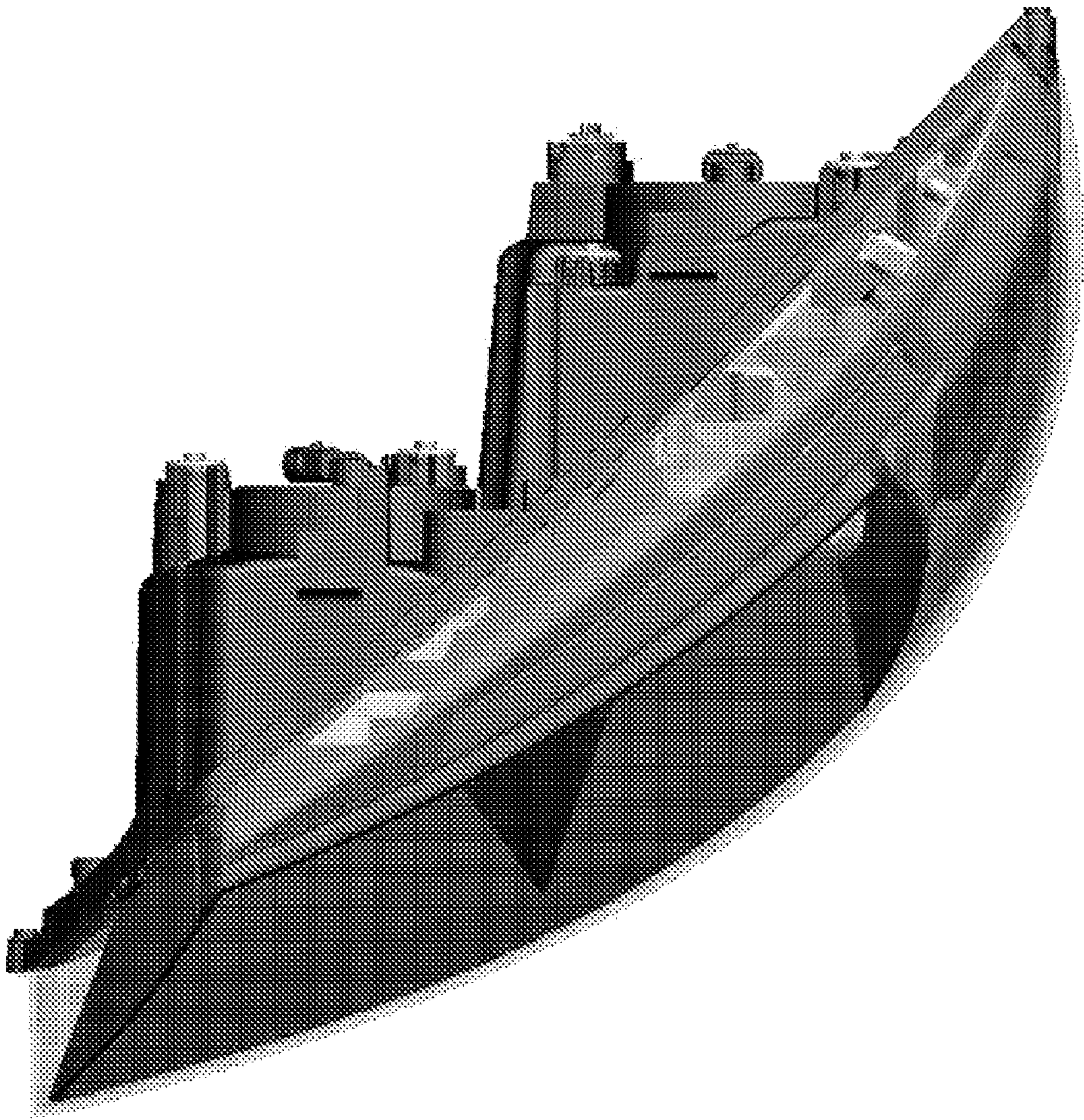


FIG. 6

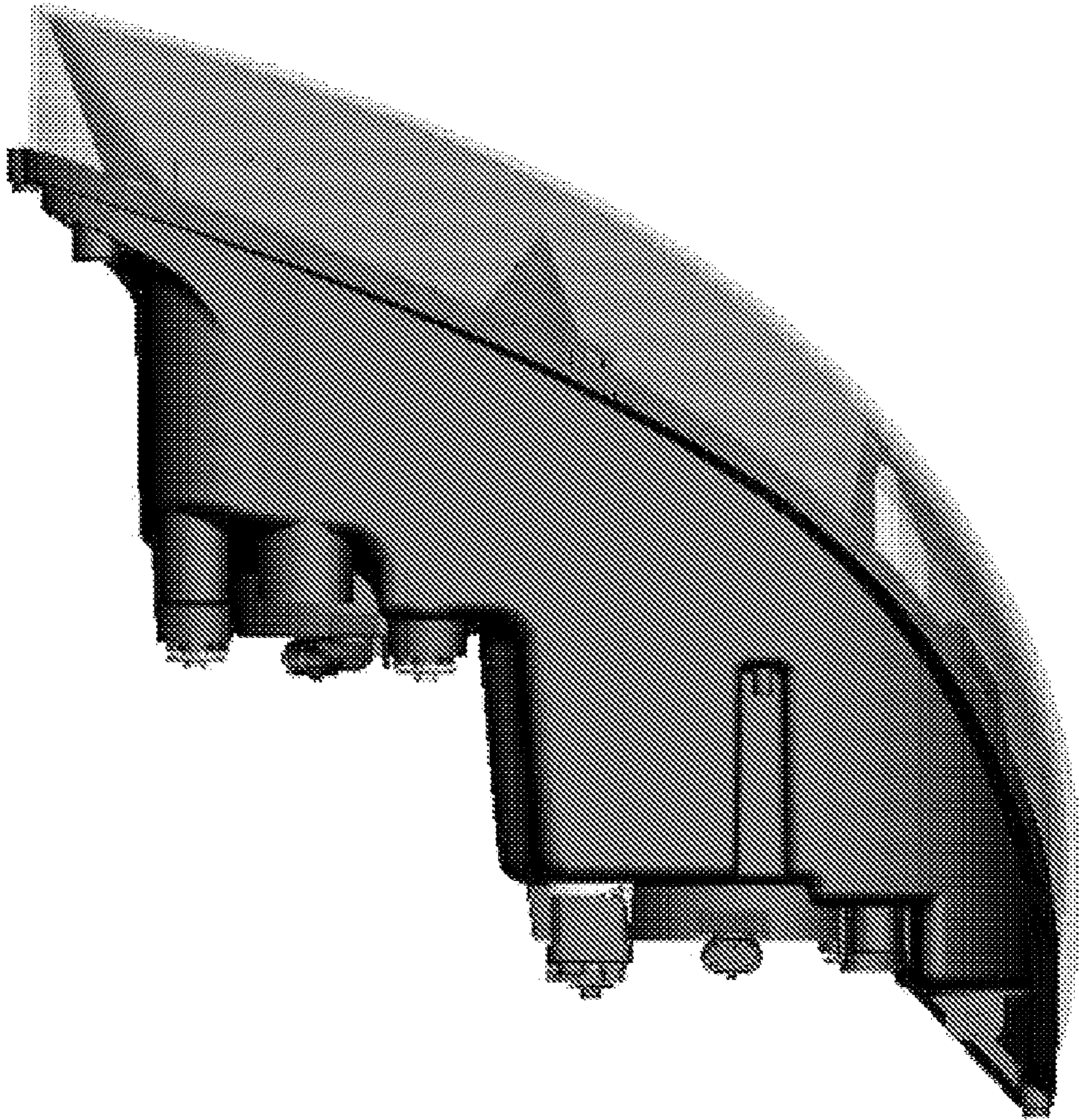


FIG. 7