

US00D593228S

(12) **United States Design Patent**
Finn

(10) **Patent No.:** **US D593,228 S**

(45) **Date of Patent:** **** May 26, 2009**

(54) **SEAT-BELT USAGE INDICATOR LIGHT**

Primary Examiner—Marcus A. Jackson

(76) **Inventor:** **William G. Finn**, 11 Wansor Ave.,
Bayville, NY (US) 11709

(57) **CLAIM**

(**) **Term:** **14 Years**

I claim, the ornamental design for the seat-belt usage indicator light, as shown and described.

(21) **Appl. No.:** **29/326,467**

DESCRIPTION

(22) **Filed:** **Oct. 18, 2008**

(51) **LOC (9) Cl.** **26-06**

(52) **U.S. Cl.** **D26/28**

(58) **Field of Classification Search** D26/28-36;
362/459-468, 475-478, 485-487

See application file for complete search history.

FIG. 1 is a front elevational view of the seat-belt usage indicator light showing my new design;

FIG. 2 is a rear elevational view of the seat-belt usage indicator light thereof;

FIG. 3 is a left-side elevational view of the seat-belt usage indicator light thereof;

FIG. 4 is a top plan view of the seat-belt usage indicator light thereof;

FIG. 5 is a bottom plan view of the seat-belt usage indicator light thereof; and,

FIG. 6 is a perspective view of the seat-belt usage indicator light thereof.

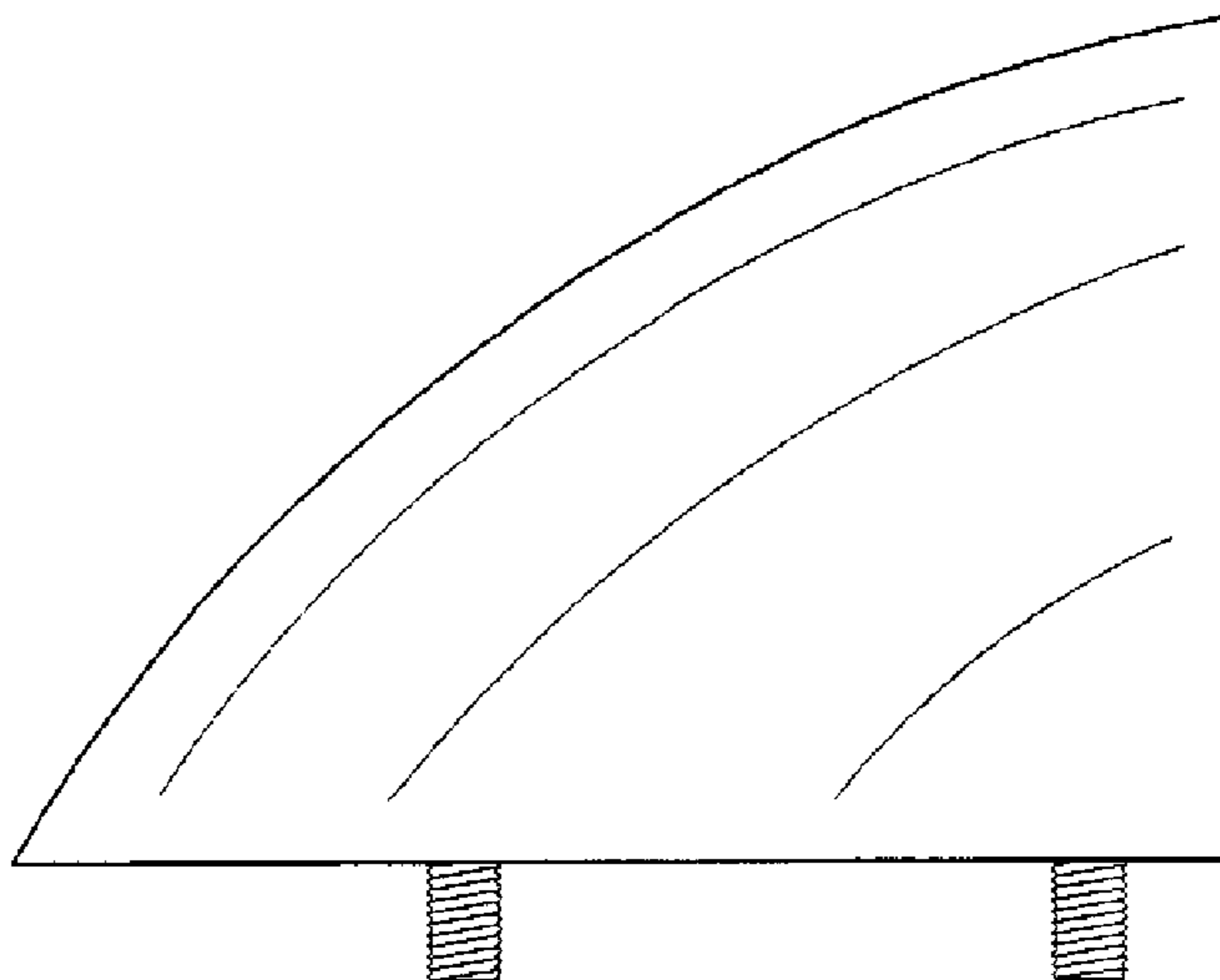
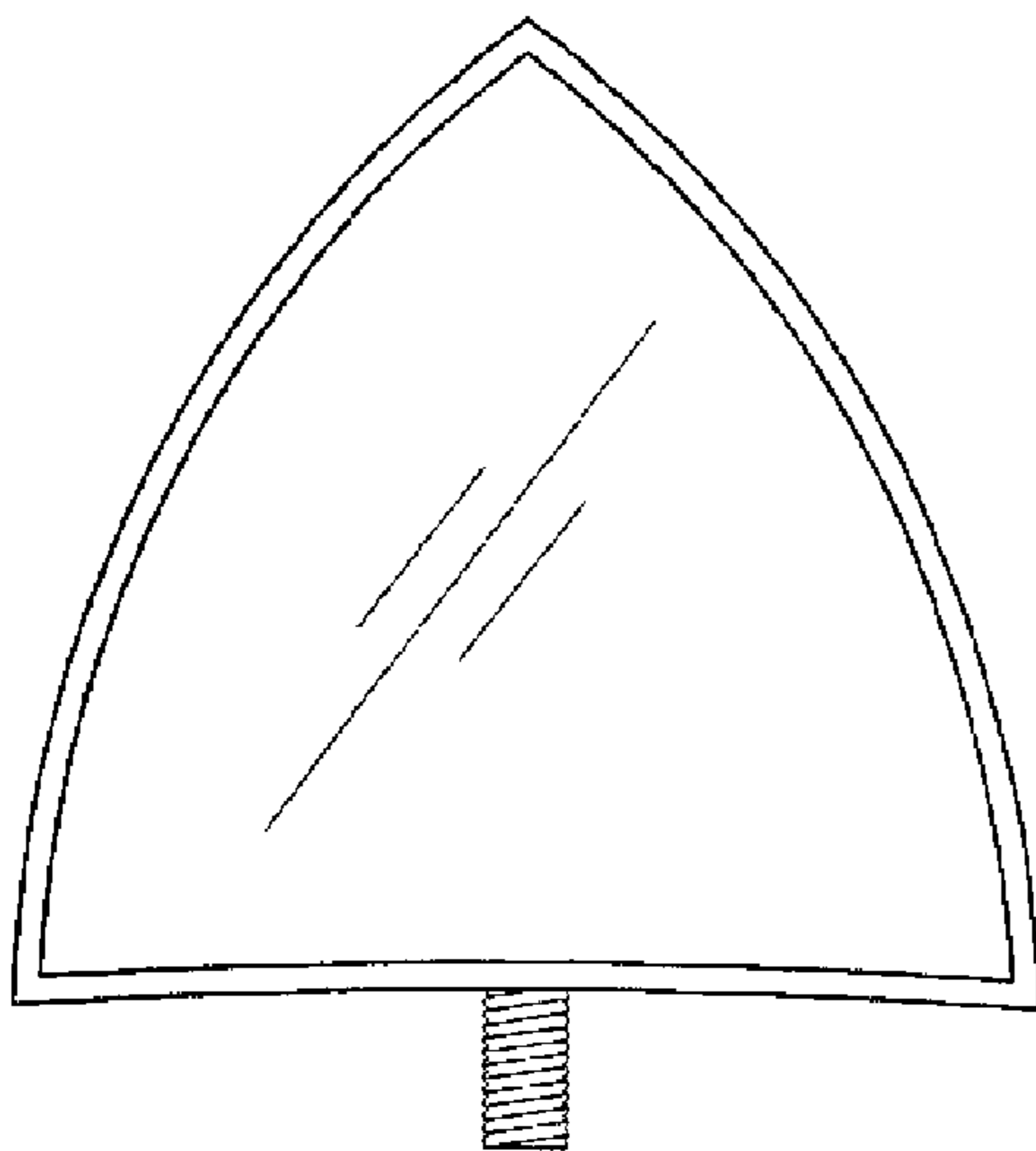
(56) **References Cited**

U.S. PATENT DOCUMENTS

D564,110 S *	3/2008	Huang	D26/31
D567,426 S *	4/2008	Chiu	D26/85
D572,856 S *	7/2008	Kehl et al.	D26/61
D578,685 S *	10/2008	Manus	D26/28

* cited by examiner

1 Claim, 3 Drawing Sheets



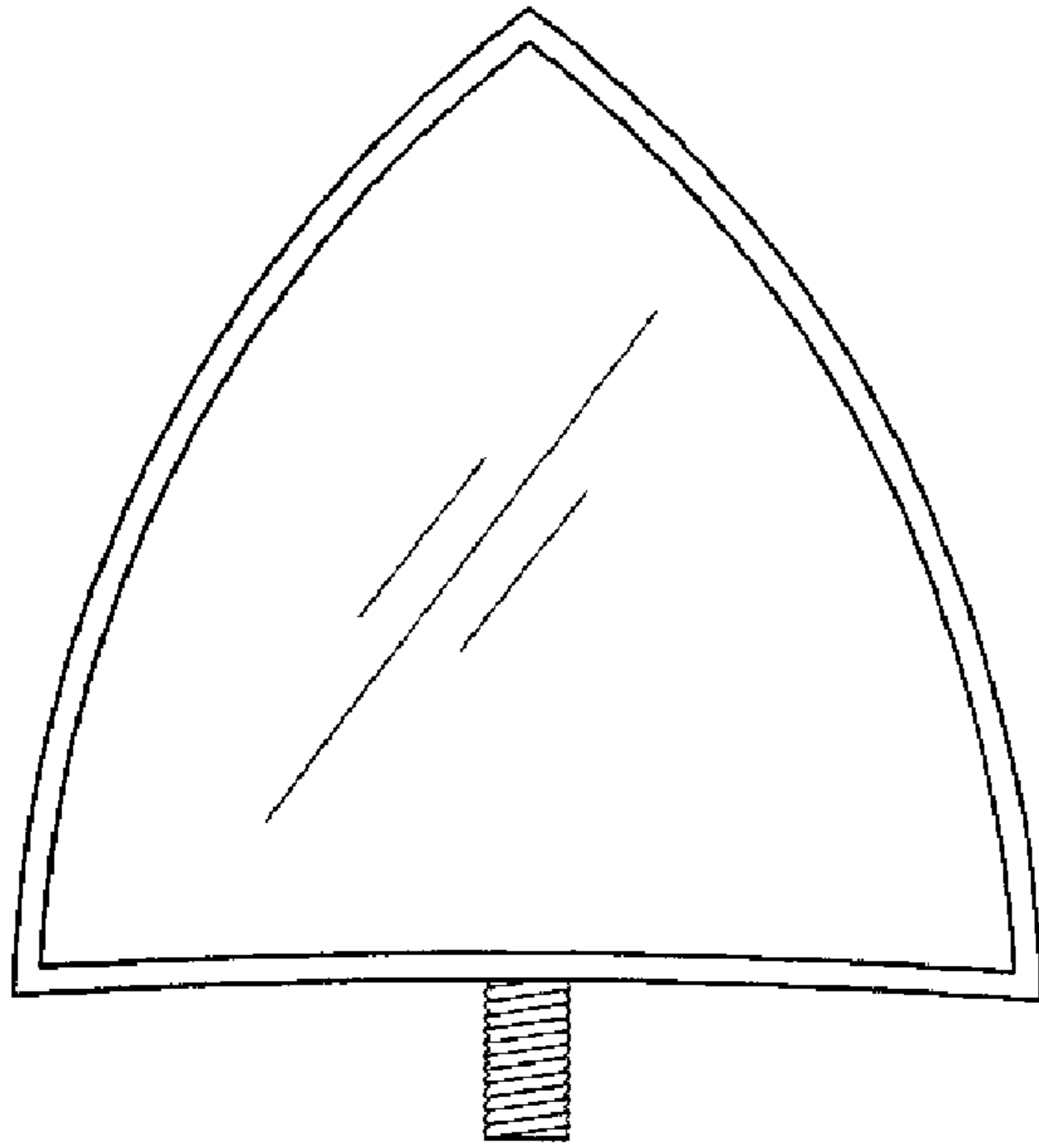


FIG. 1

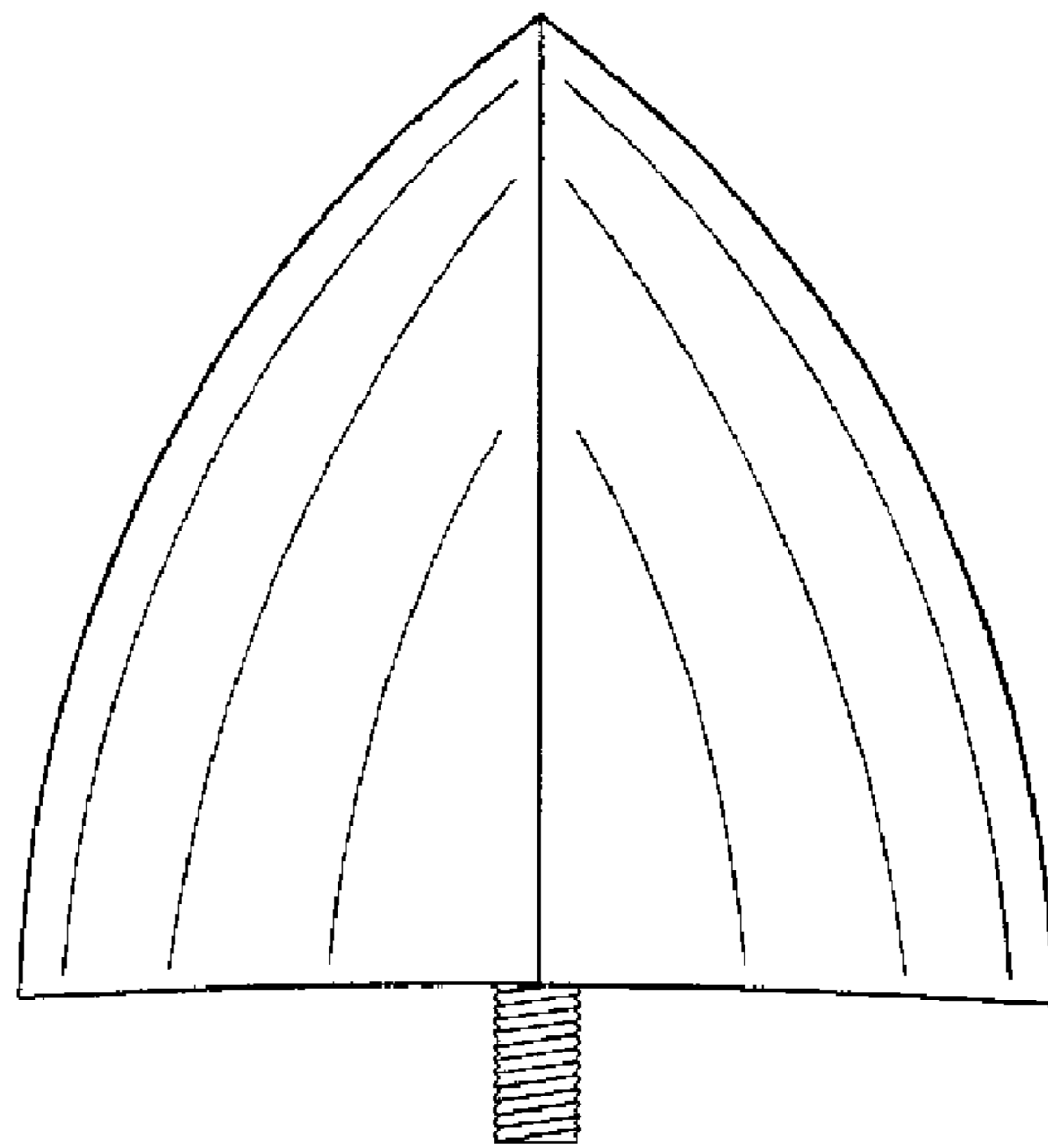


FIG. 2

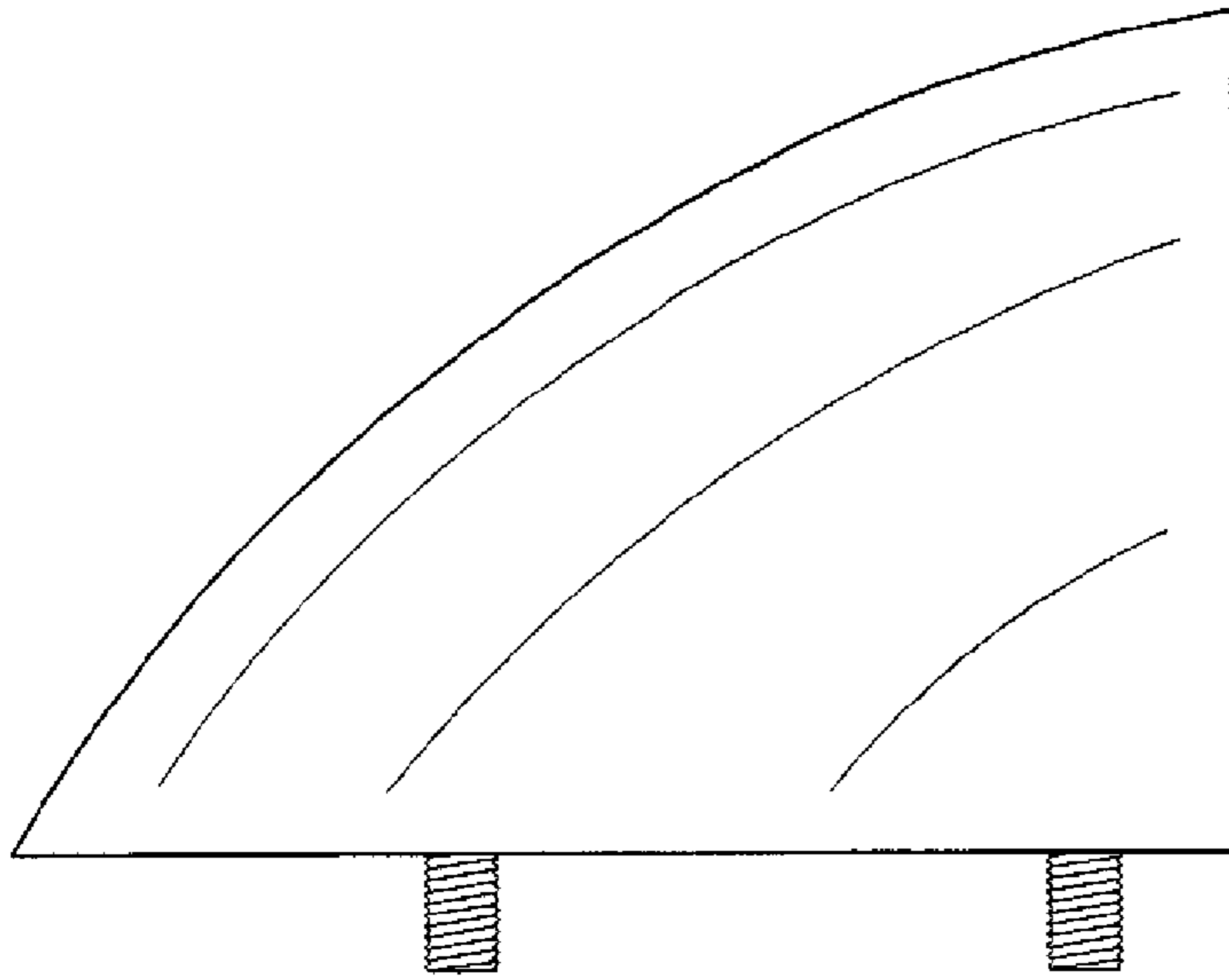


FIG. 3

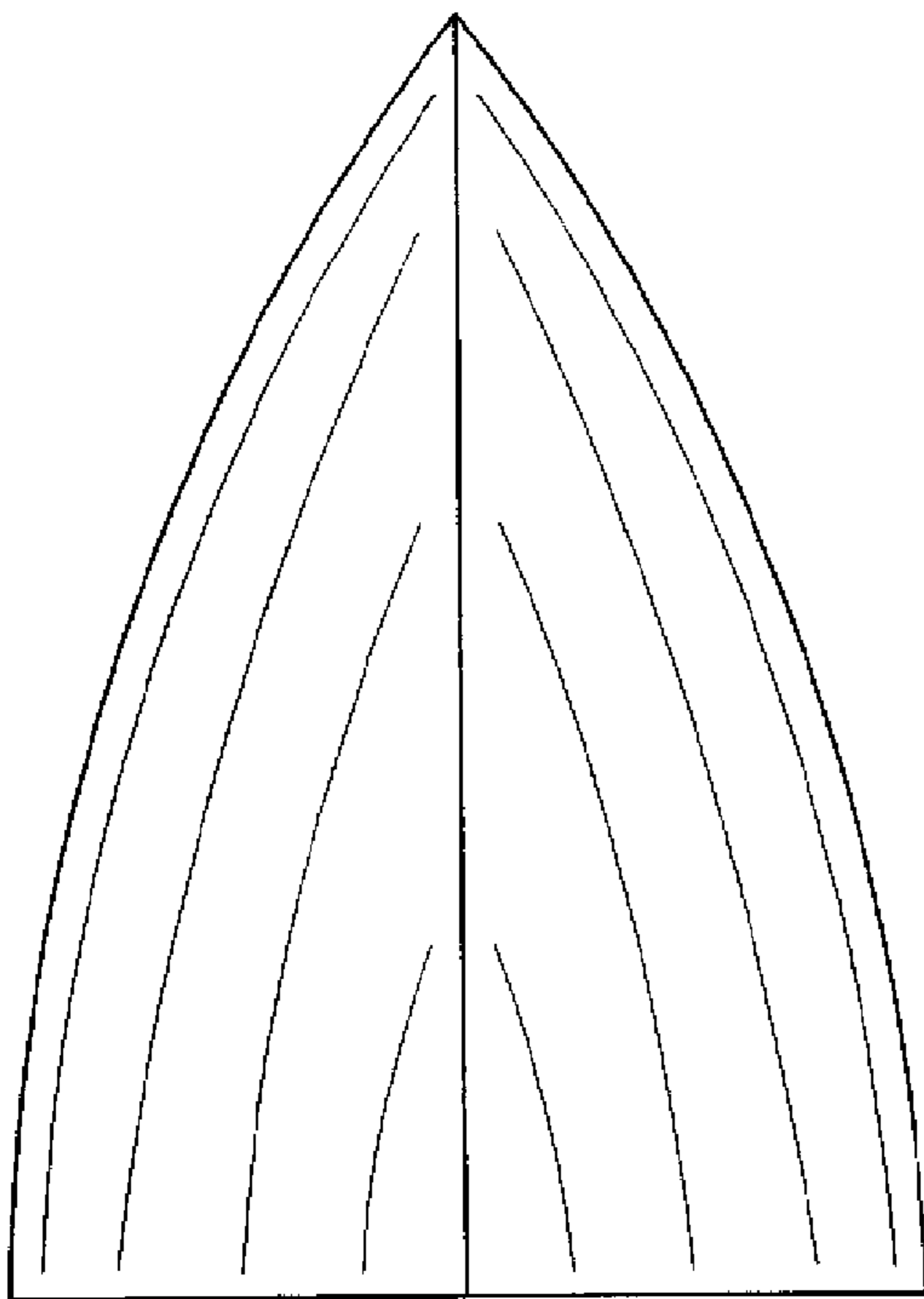


FIG. 4

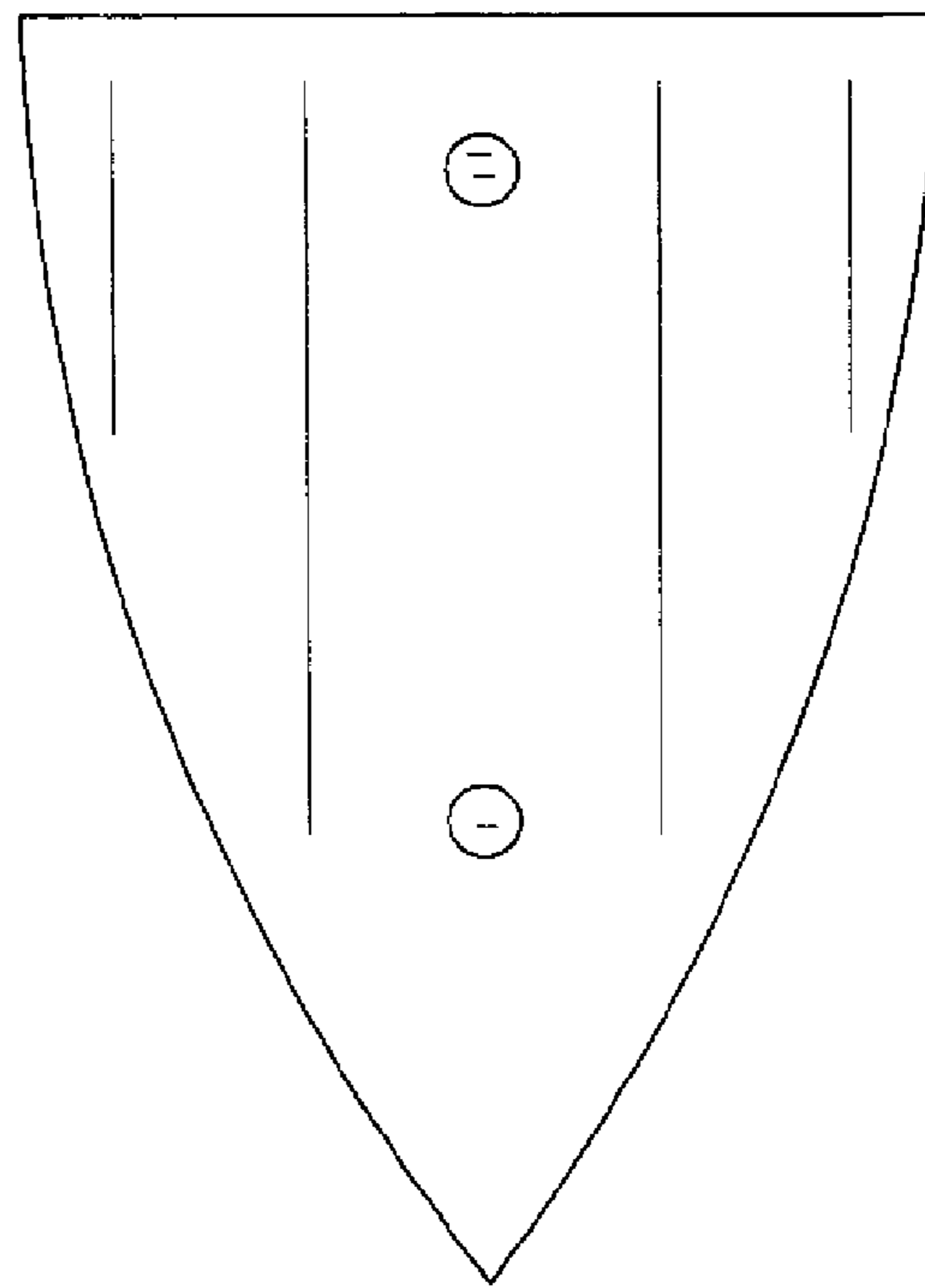


FIG. 5

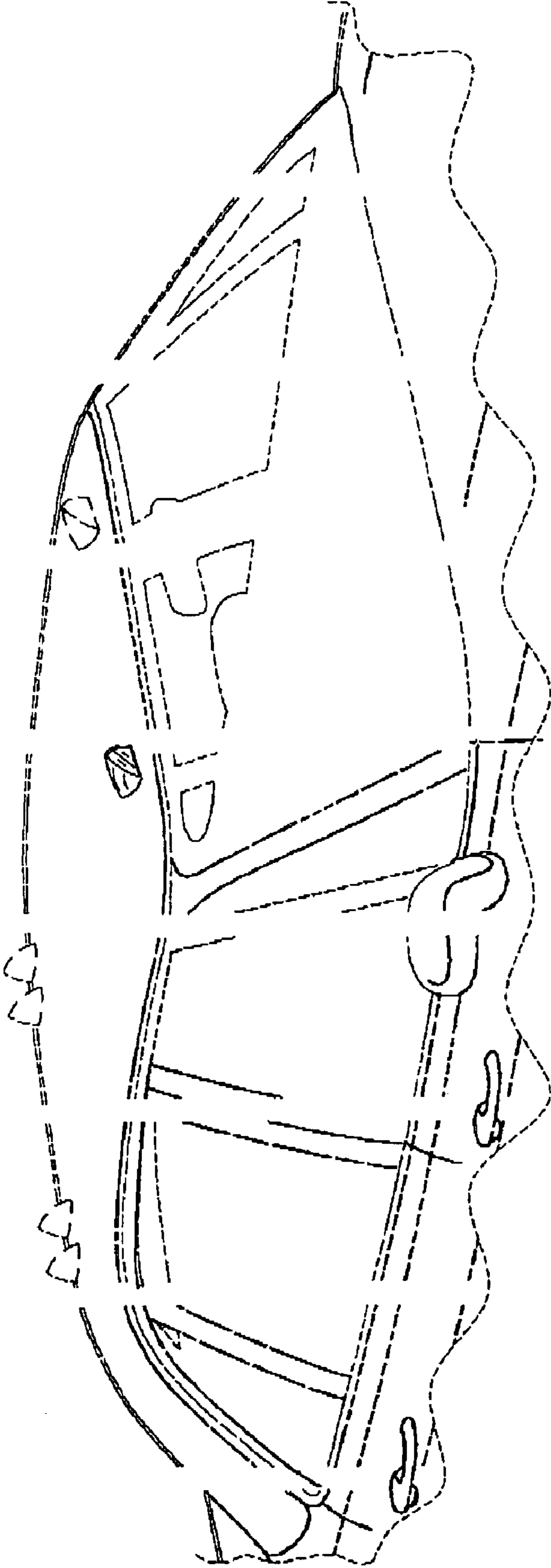


FIG. 6