

US00D593224S

(12) **United States Design Patent**  
**Hanley**

(10) **Patent No.:** **US D593,224 S**

(45) **Date of Patent:** **\*\* May 26, 2009**

(54) **LED LIGHTING ASSEMBLY**

D575,883 S \* 8/2008 Park ..... D26/2  
D576,574 S \* 9/2008 Kobayakawa ..... D13/180

(75) Inventor: **Stephen G. Hanley**, East Hampton, CT  
(US)

(73) Assignee: **Electronic Controls Company**, Boise,  
ID (US)

\* cited by examiner

*Primary Examiner*—Marcus A. Jackson

(\*\*) Term: **14 Years**

(57) **CLAIM**

(21) Appl. No.: **29/328,195**

The ornamental design for a LED lighting assembly, as shown and described.

(22) Filed: **Nov. 20, 2008**

(51) **LOC (9) Cl.** ..... **26-04**

(52) **U.S. Cl.** ..... **D26/2**

(58) **Field of Classification Search** ..... D26/1-4;  
313/313, 315, 317, 318, 493; 315/52, 53,  
315/56, 57, 58

See application file for complete search history.

**DESCRIPTION**

FIG. 1 is a perspective view of the primary embodiment of the LED lighting assembly of the present invention.

FIG. 2 is a top view of the LED lighting assembly.

FIG. 3 is a side view of the LED lighting assembly; and,

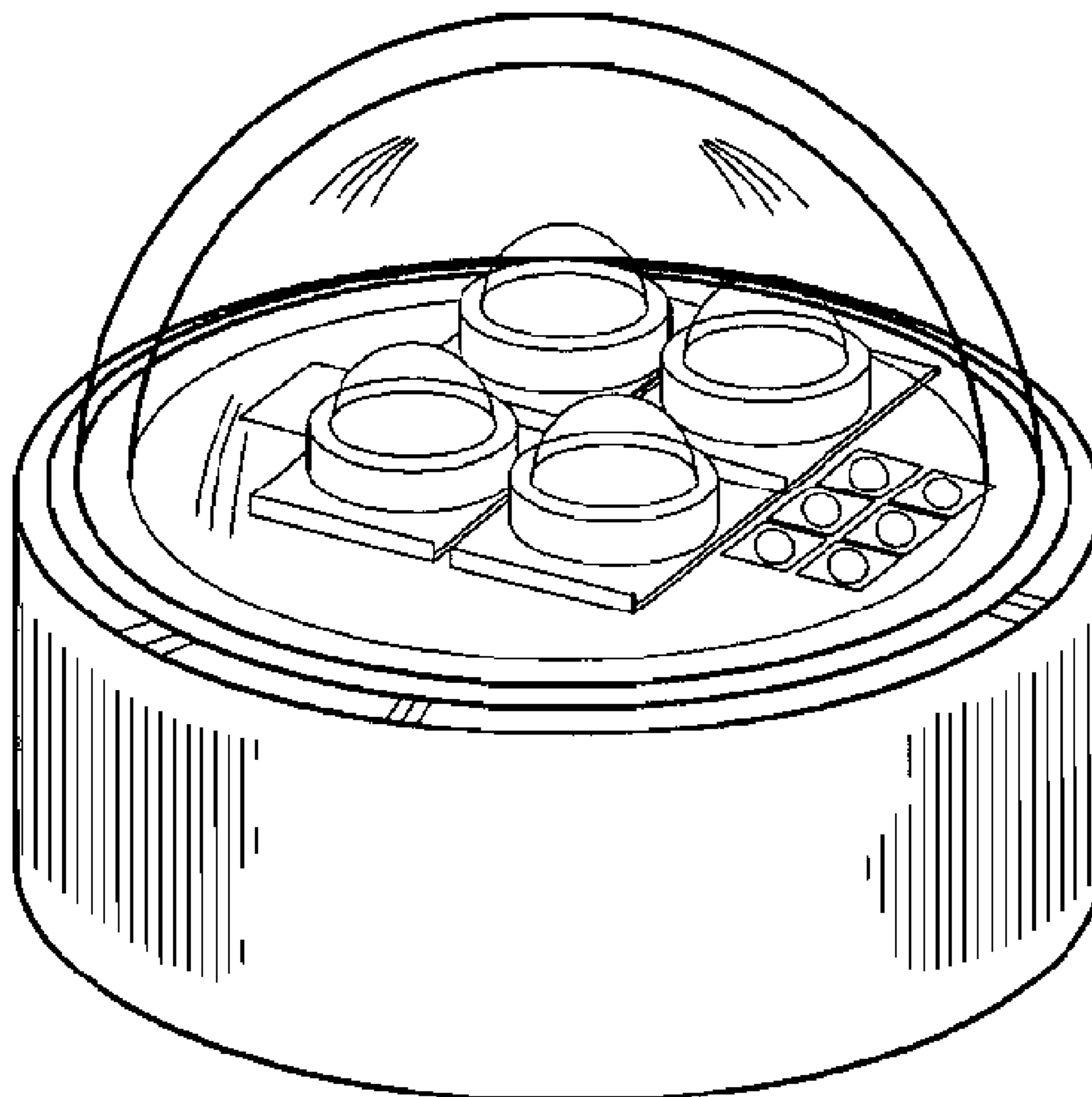
FIG. 4 is a bottom view of the LED lighting assembly.

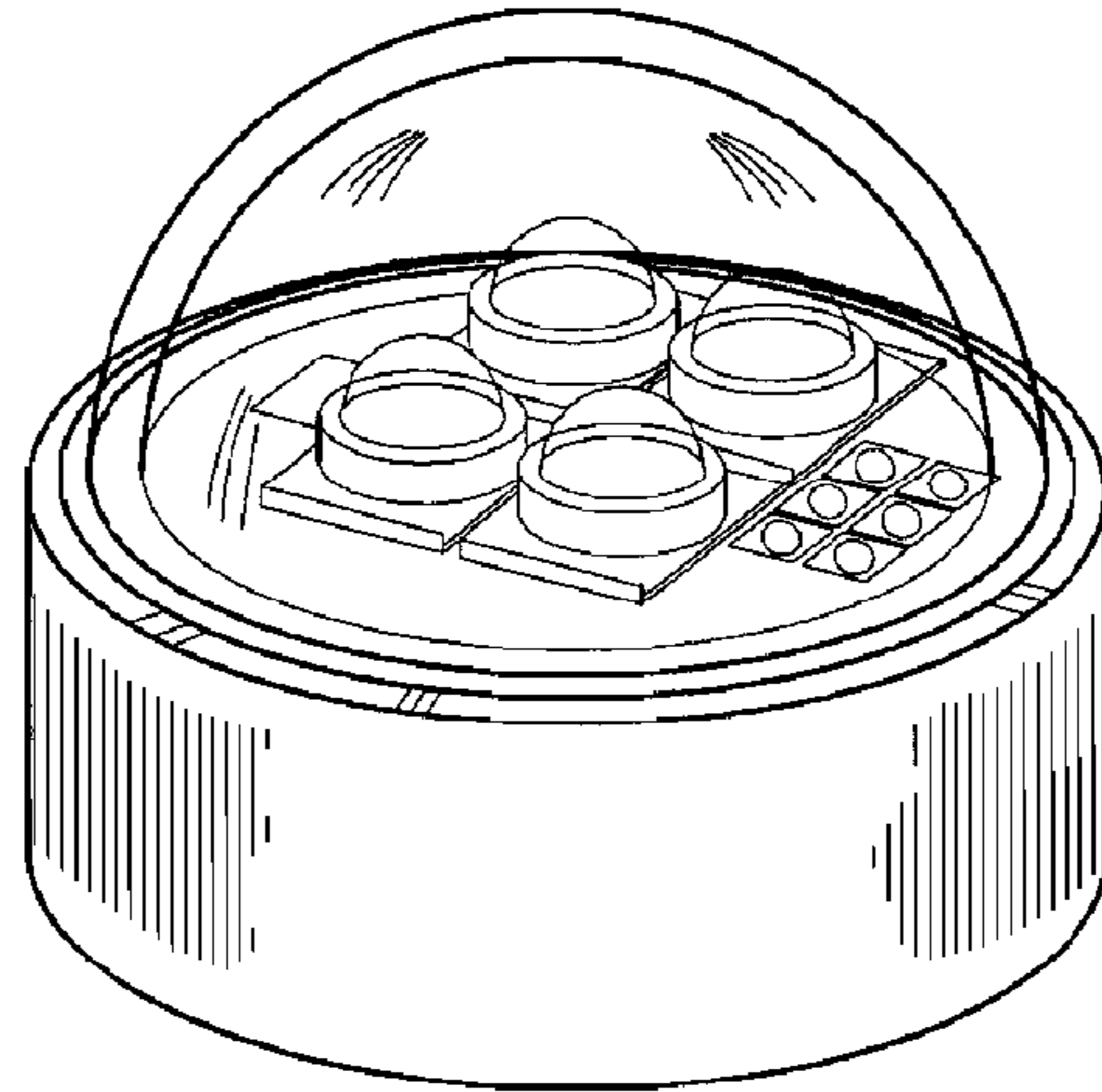
(56) **References Cited**

**U.S. PATENT DOCUMENTS**

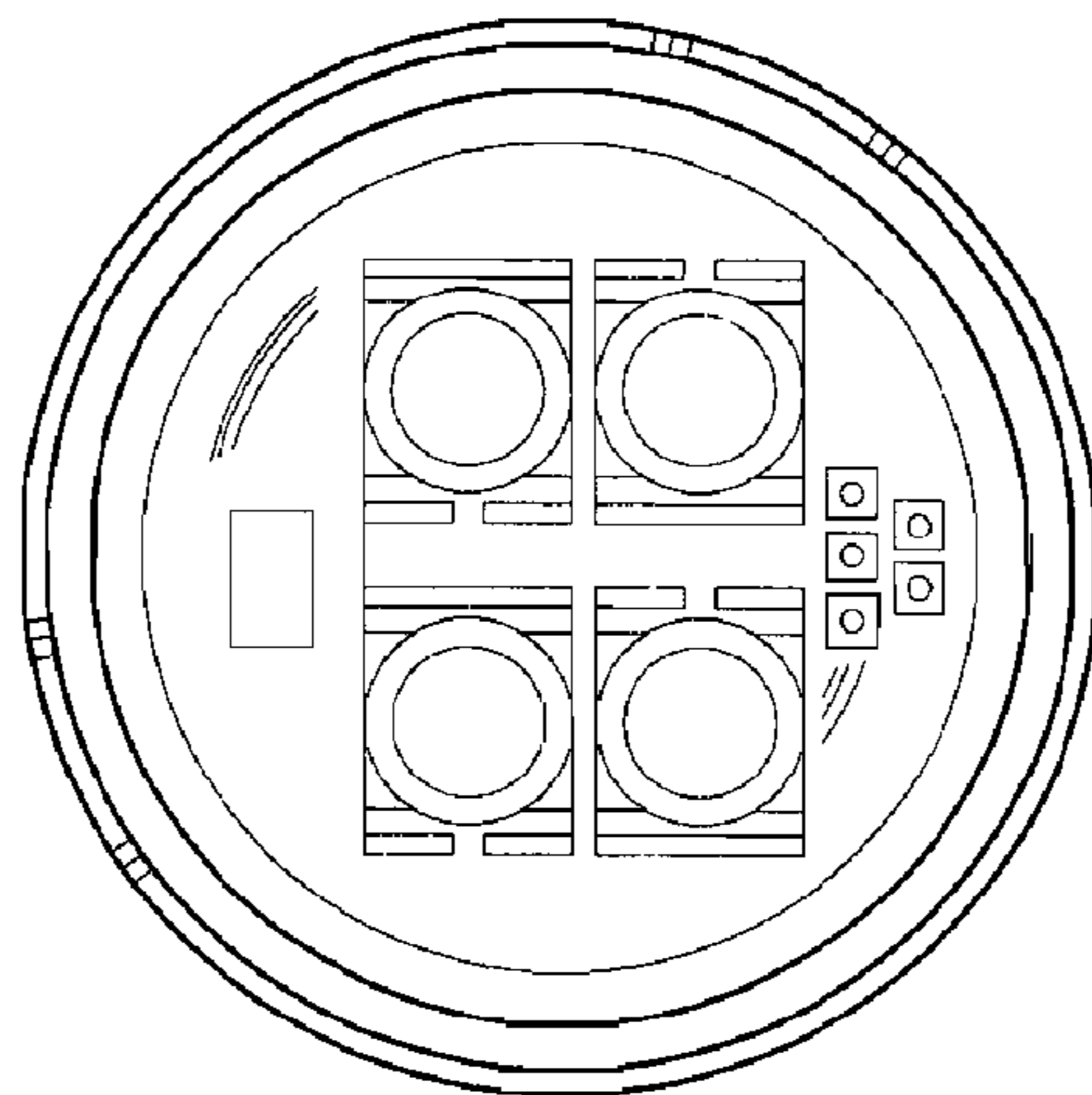
D566,698 S \* 4/2008 Choi et al. .... D14/240

**1 Claim, 2 Drawing Sheets**

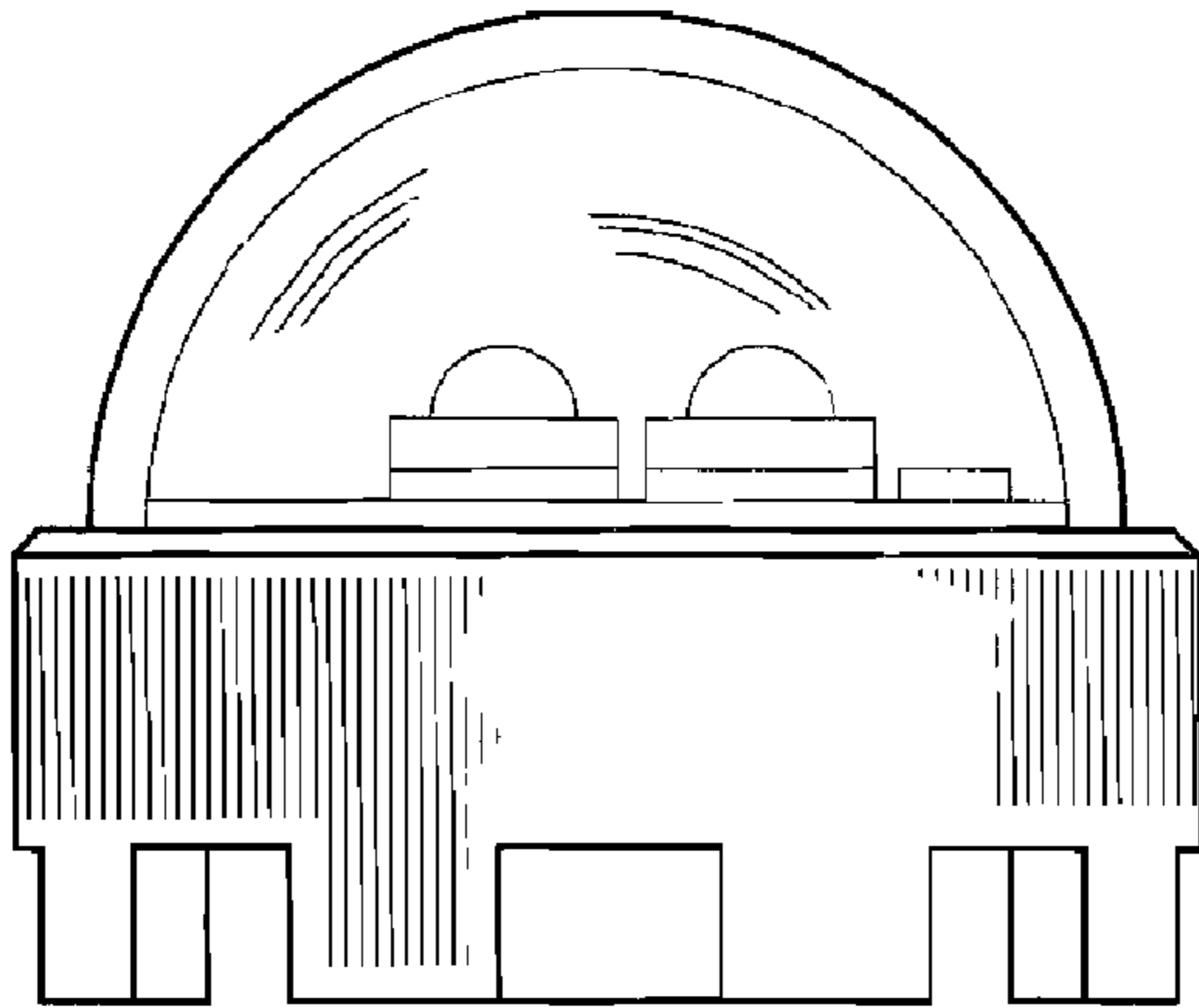




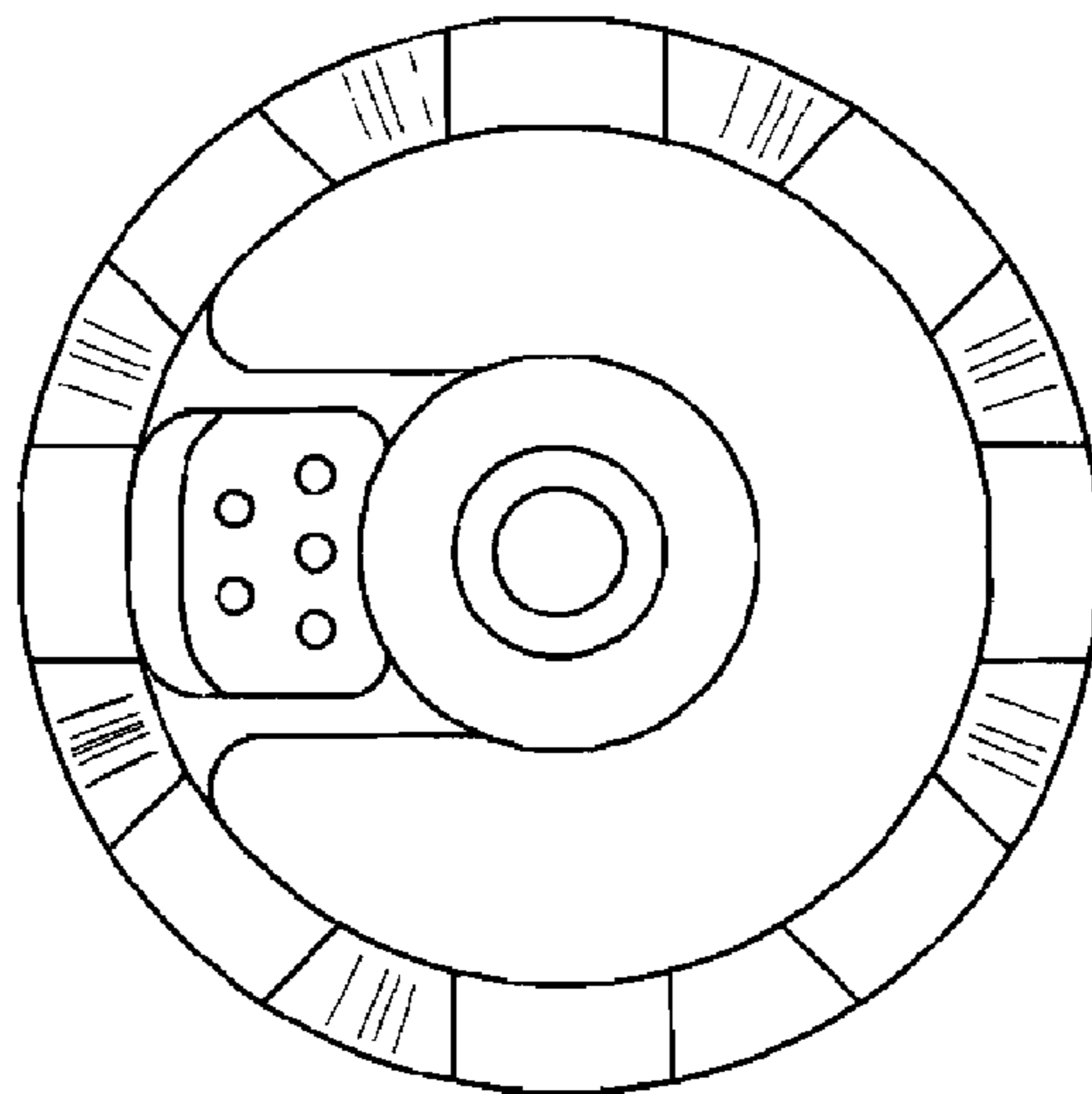
*Fig. 1*



*Fig. 2*



*Fig. 3*



*Fig. 4*