



US00D593221S

(12) **United States Design Patent**
Lacas

(10) **Patent No.:** **US D593,221 S**

(45) **Date of Patent:** **** May 26, 2009**

(54) **CHANNEL EDGER**

(75) Inventor: **Marc-André Lacas**, Laval (CA)

(73) Assignee: **Les Materiaux de construction
Oldcastle Canada, Inc.**, Montreal (CA)

(**) Term: **14 Years**

(21) Appl. No.: **29/318,517**

(22) Filed: **May 21, 2008**

(51) **LOC (9) Cl.** **25-01**

(52) **U.S. Cl.** **D25/164**

(58) **Field of Classification Search** D25/164,
D25/55, 102, 105, 119, 122, 125, 136, 138,
D25/142; 47/47, 32.4; 52/102, 504, 515,
52/563, 604, 118

See application file for complete search history.

(56) **References Cited**

U.S. PATENT DOCUMENTS

5,131,202 A * 7/1992 Ball D25/118

5,720,128 A * 2/1998 Smith et al. 52/102
6,799,405 B2 * 10/2004 Gilbert 52/604
D571,487 S * 6/2008 Jarrett D25/164
D571,937 S * 6/2008 Shaw D25/164

* cited by examiner

Primary Examiner—Catherine R Oliver

(74) *Attorney, Agent, or Firm*—Andrew D. Sojonky; Borden
Ledner Gervais LLP

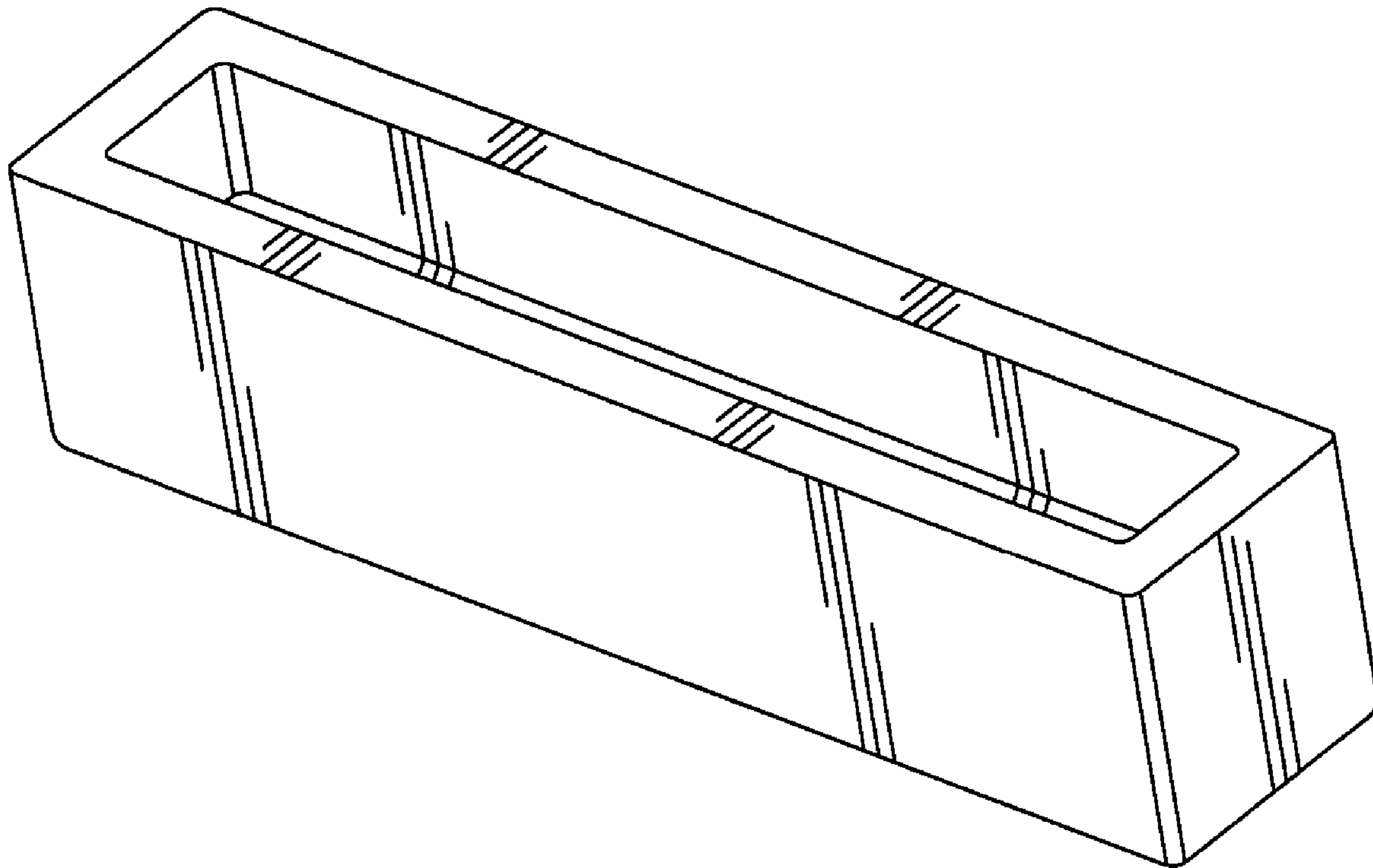
(57) **CLAIM**

The ornamental design for a channel edger, as shown.

DESCRIPTION

FIG. 1 is a perspective view of the channel edger;
FIG. 2 is a side view thereof;
FIG. 3 is a top view thereof;
FIG. 4 is a bottom view thereof; and,
FIG. 5 is another perspective view thereof.

1 Claim, 1 Drawing Sheet



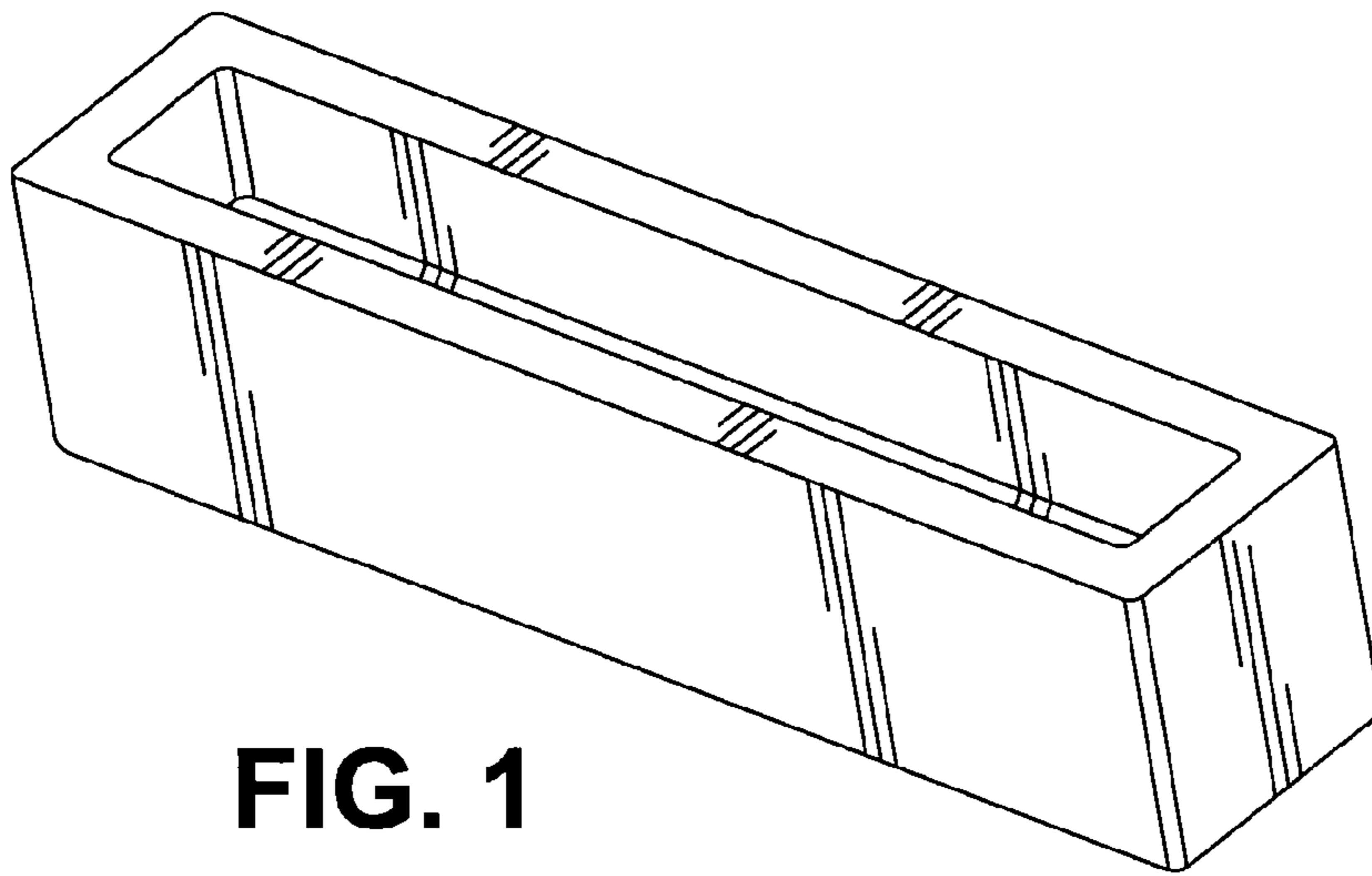


FIG. 1

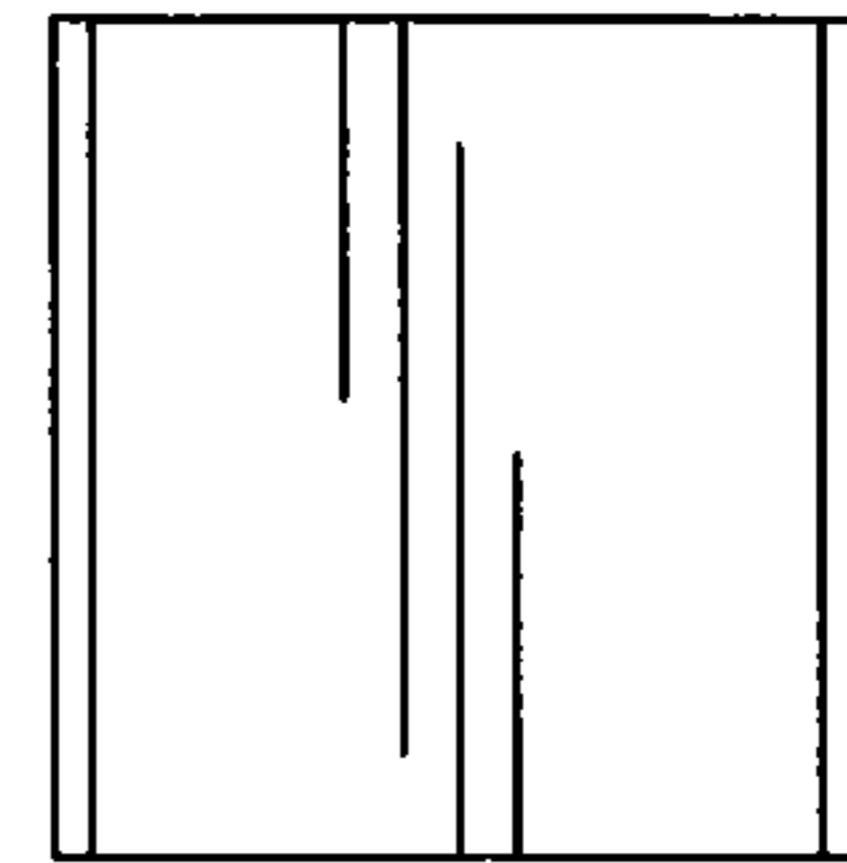


FIG. 2

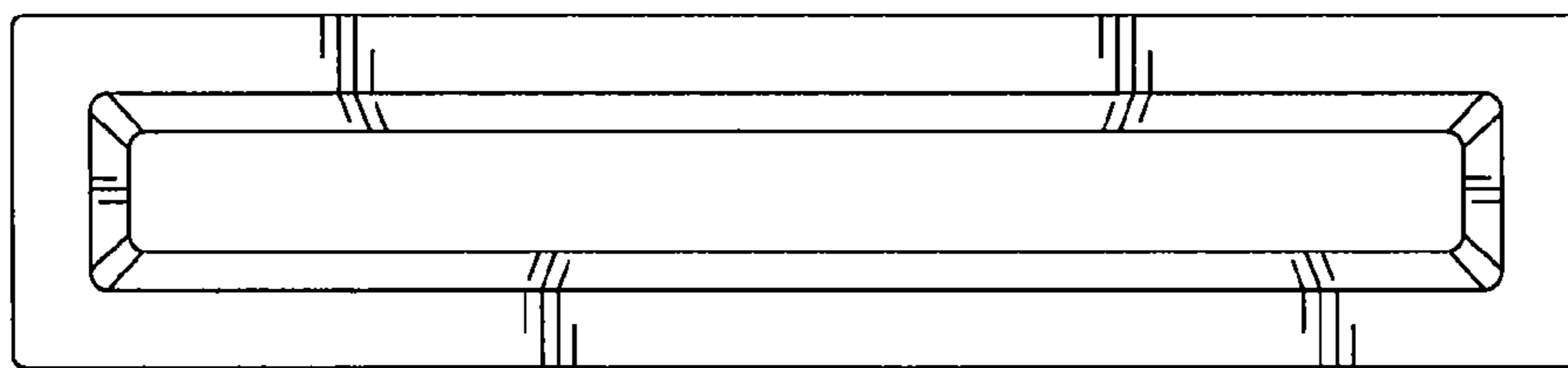


FIG. 3

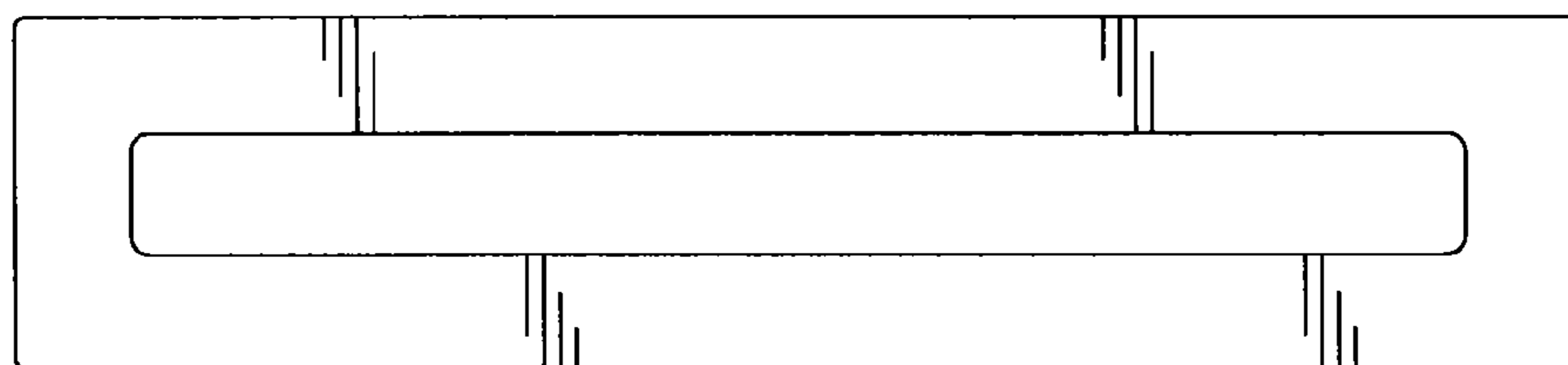


FIG. 4

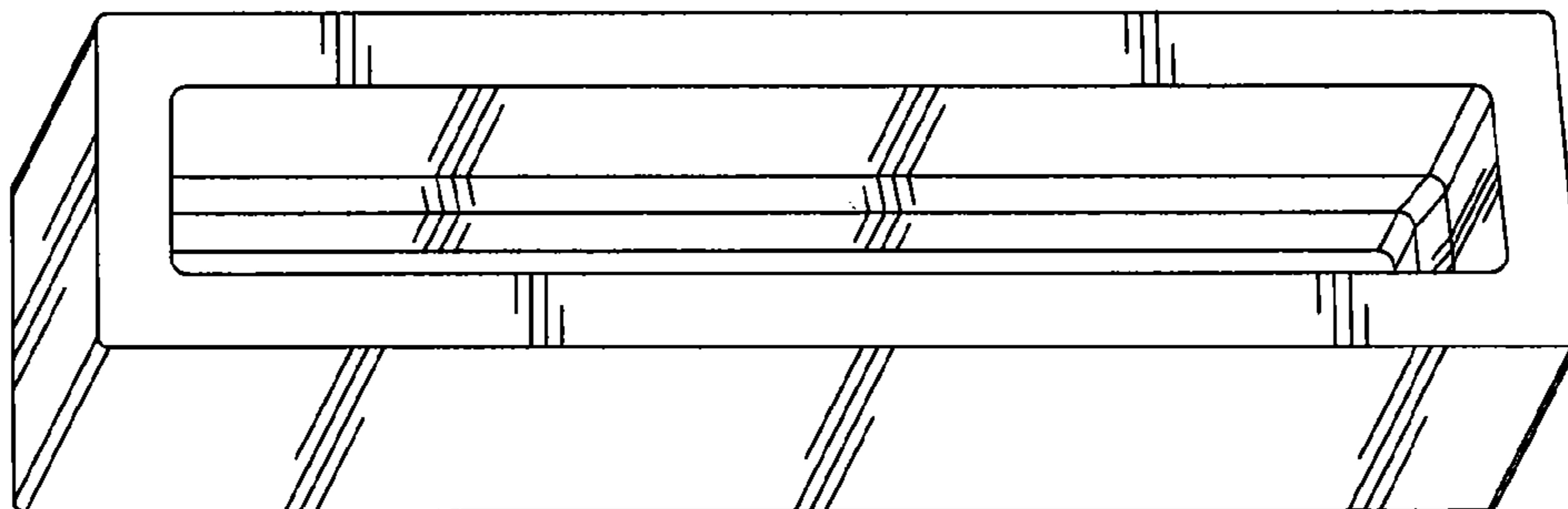


FIG. 5