

US00D593219S

(12) **United States Design Patent**
Franson

(10) **Patent No.:** **US D593,219 S**

(45) **Date of Patent:** **** May 26, 2009**

(54) **WINDOW COMPONENT EXTRUSION**

D385,971 S 11/1997 Franson
5,987,826 A * 11/1999 Petta 52/204.5
D467,013 S * 12/2002 Ballard et al. D25/124

(75) Inventor: **Jeffrey R. Franson**, Maple Valley, WA
(US)

(73) Assignee: **Mikron Industries, Inc.**, Kent, WA (US)

(**) Term: **14 Years**

(21) Appl. No.: **29/293,895**

(22) Filed: **Dec. 14, 2007**

(51) **LOC (9) Cl.** **25-01**

(52) **U.S. Cl.** **D25/124**

(58) **Field of Classification Search** D25/121,
D25/122, 124, 125; 52/204.59, 204.1, 204.2,
52/204.5, 204.51, 656.5, 656.6, 213, 215,
52/208, 293.3, 204.97, 204, 595, 204.71,
52/730.3, 656.2, 207, 204.7; 49/209, 501,
49/504, DIG. 2, 169

See application file for complete search history.

(56) **References Cited**

U.S. PATENT DOCUMENTS

D358,665 S 5/1995 Franson

OTHER PUBLICATIONS

Mikron Part No. 7993; drawn on Apr. 29, 1999.
Mikron Part No. 8234; drawn on Sep. 19, 2000 and first sold on Jan.
29, 2001.
Mikron Part No. 7768; drawn on Jul. 24, 1998 and first sold on Apr.
9, 1999.

* cited by examiner

Primary Examiner—Doris Clark
(74) *Attorney, Agent, or Firm*—David C. Gadd

(57) **CLAIM**

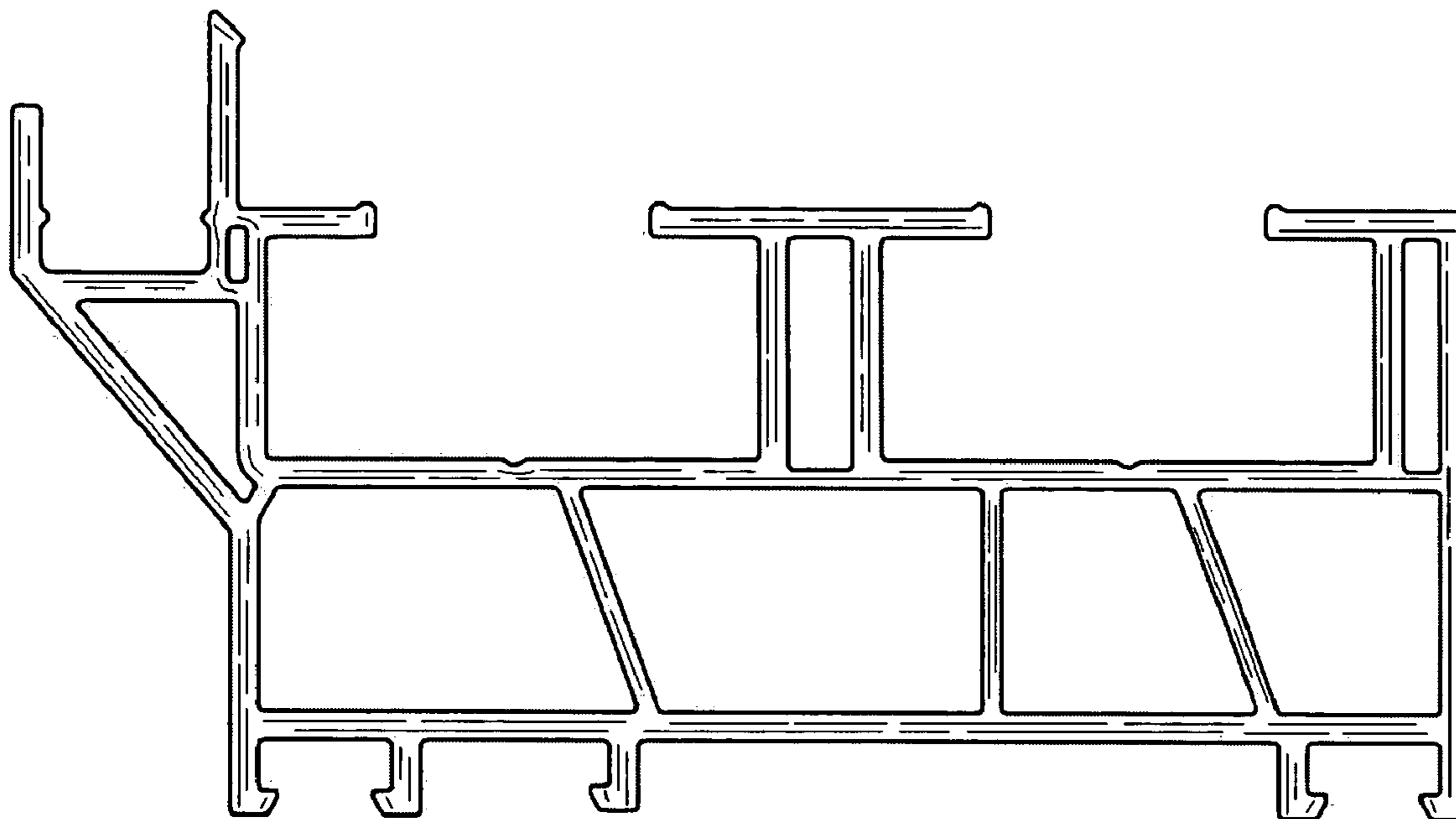
The ornamental design for a window component extrusion, as shown and described.

DESCRIPTION

FIG. 1 is a front elevation view of a window component extrusion; and,

FIG. 2 is the rear elevation view thereof.

1 Claim, 2 Drawing Sheets



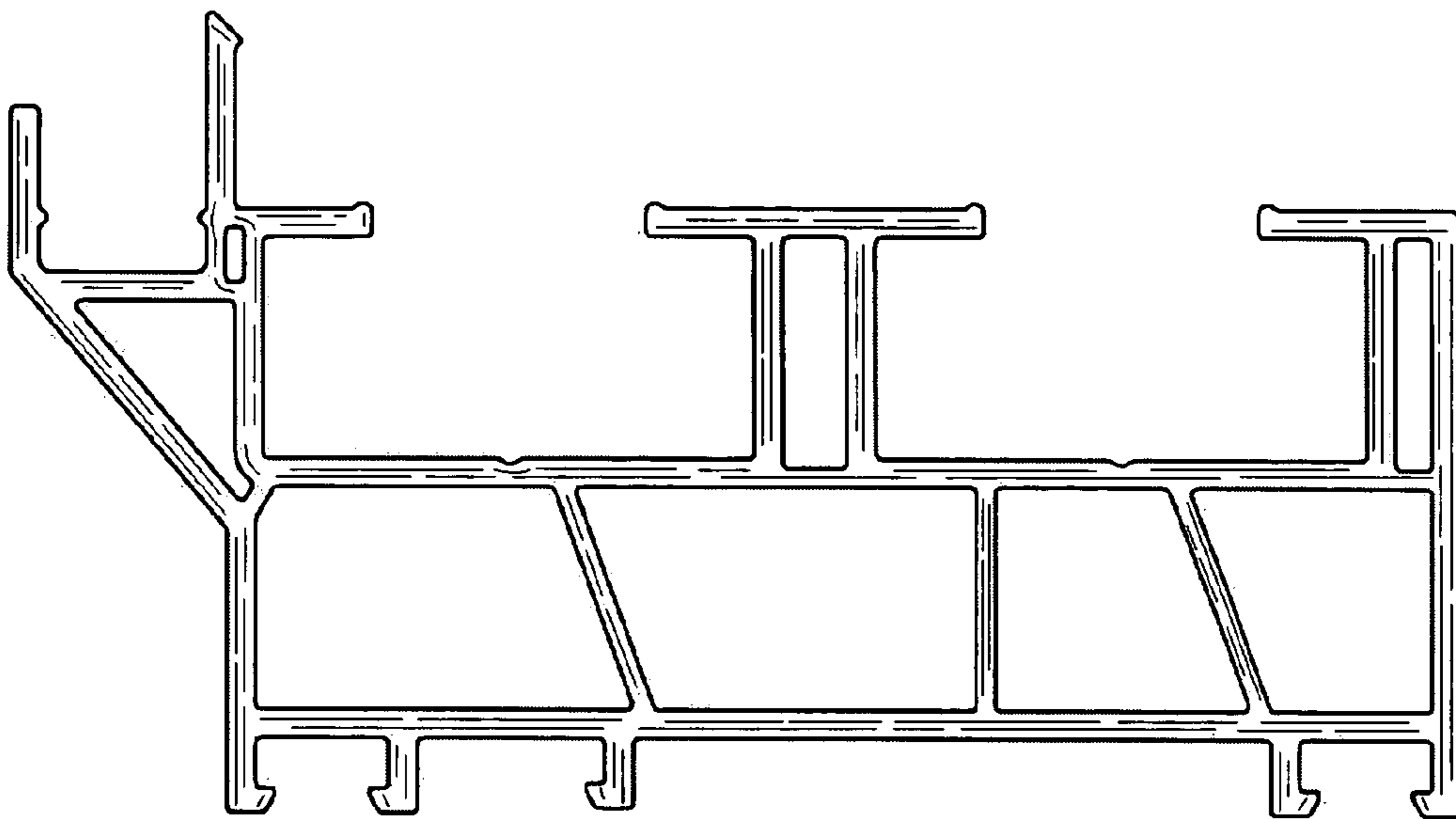


Fig. 1

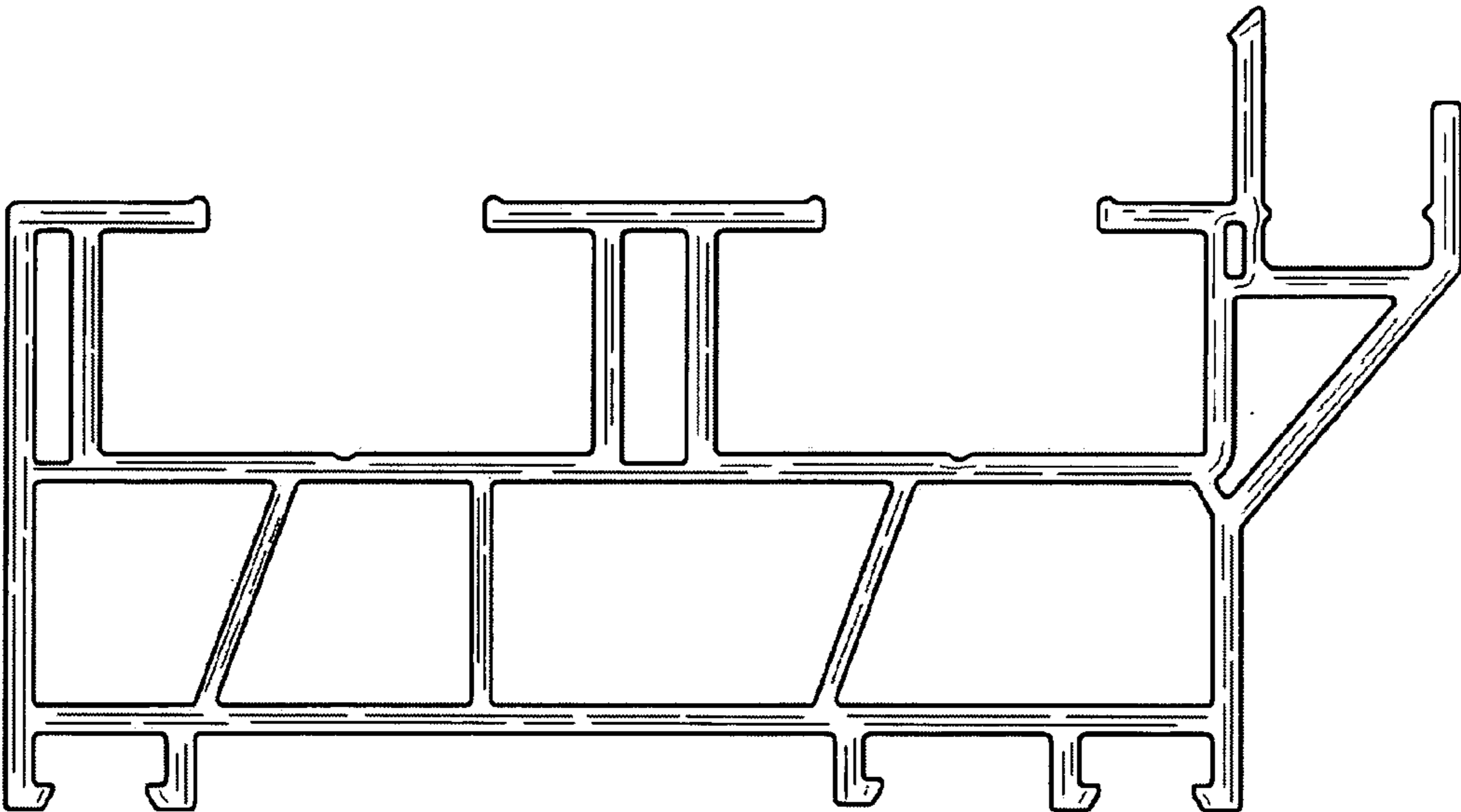


Fig. 2