



US00D593216S

(12) **United States Design Patent**  
**Franson**

(10) **Patent No.:** **US D593,216 S**

(45) **Date of Patent:** **\*\* May 26, 2009**

(54) **WINDOW COMPONENT EXTRUSION**

(75) Inventor: **Jeffrey R. Franson**, Maple Valley, WA  
(US)

(73) Assignee: **Mikron Industries, Inc.**, Kent, WA (US)

(\*\*) Term: **14 Years**

(21) Appl. No.: **29/291,477**

(22) Filed: **Aug. 30, 2007**

(51) **LOC (9) Cl.** ..... **25-01**

(52) **U.S. Cl.** ..... **D25/124**

(58) **Field of Classification Search** ..... D25/121,  
D25/122, 124, 125; 52/204.59, 204.1, 204.2,  
52/204.5, 204.51, 656.5, 656.6, 213, 215,  
52/208, 293.3, 204.97, 294.595, 204.71,  
52/730.3, 656.2, 207, 204.7; 49/209, 501,  
49/504, DIG. 2, 169

See application file for complete search history.

(56) **References Cited**

**U.S. PATENT DOCUMENTS**

D430,940 S 9/2000 Goss

D442,291 S \* 5/2001 Ballard et al. .... D25/124  
D488,871 S 4/2004 Franson  
D492,041 S 6/2004 Franson  
D496,741 S \* 9/2004 Franson ..... D25/124

**OTHER PUBLICATIONS**

Mikron Part No. 7741; drawn Jun. 16, 1998.

\* cited by examiner

*Primary Examiner*—Doris Clark

(57) **CLAIM**

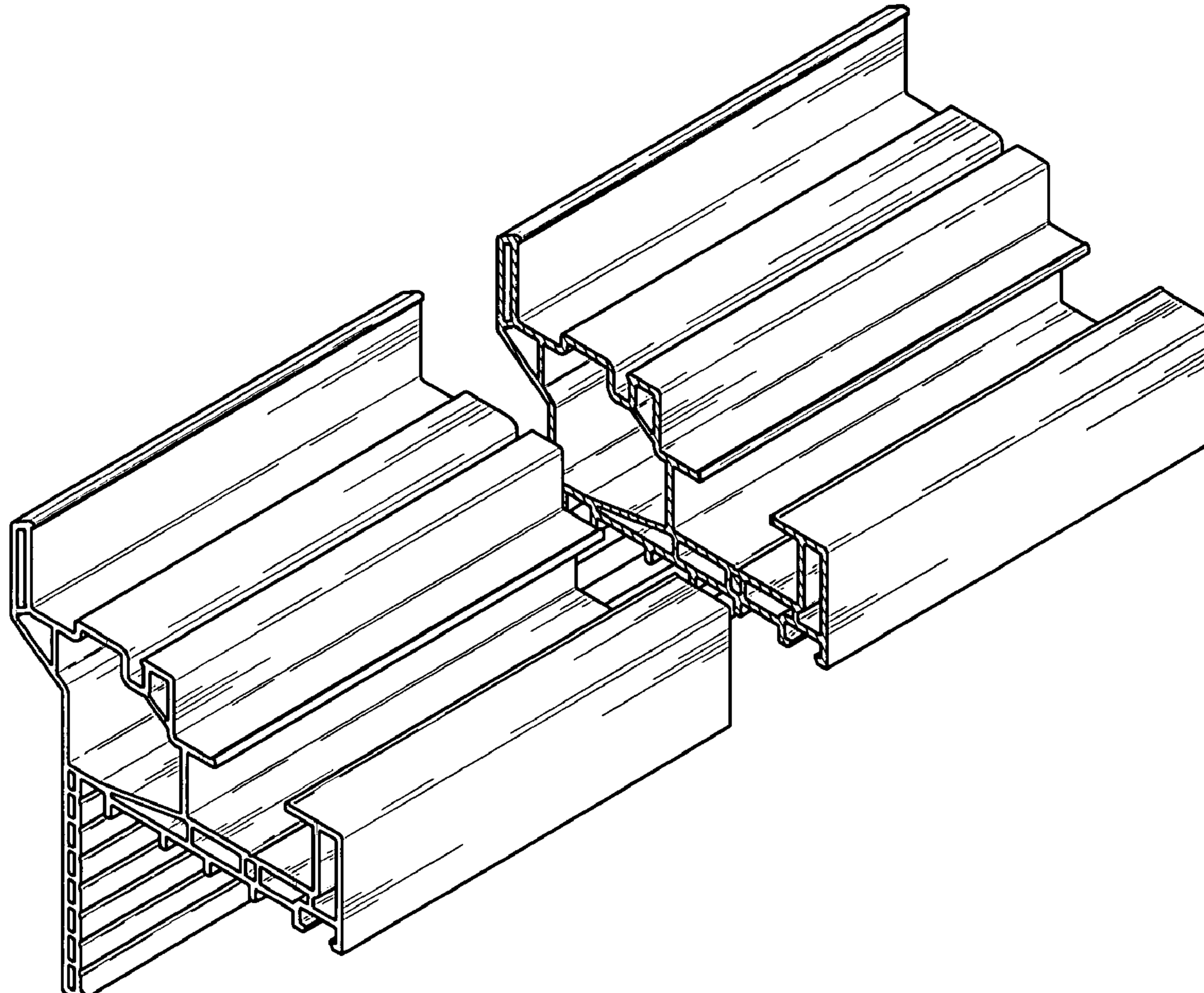
The ornamental design for a window component extrusion, as shown and described.

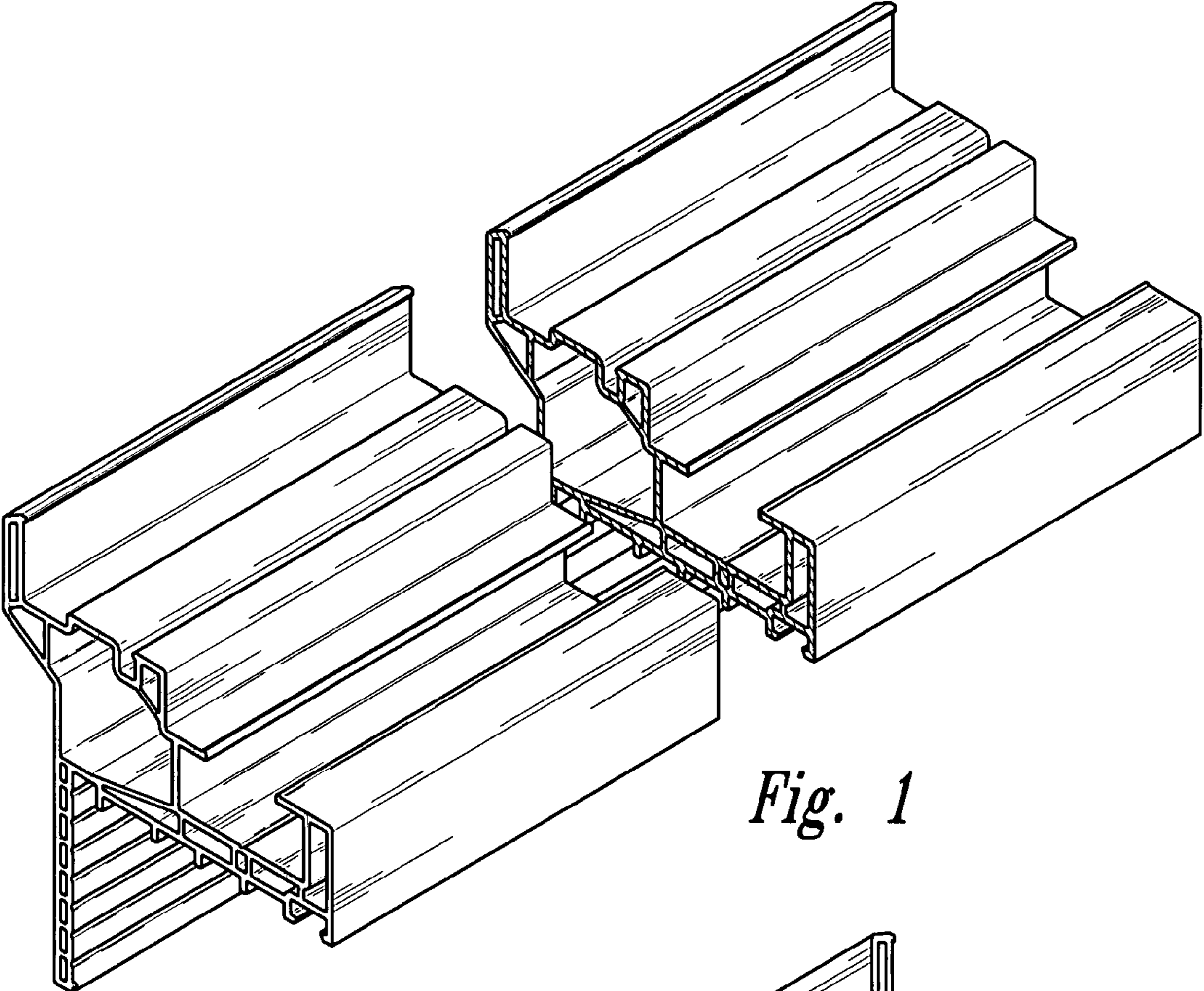
**DESCRIPTION**

FIG. 1 is a top right perspective view of a window component extrusion which is broken in the center indicating indefinite length; and,

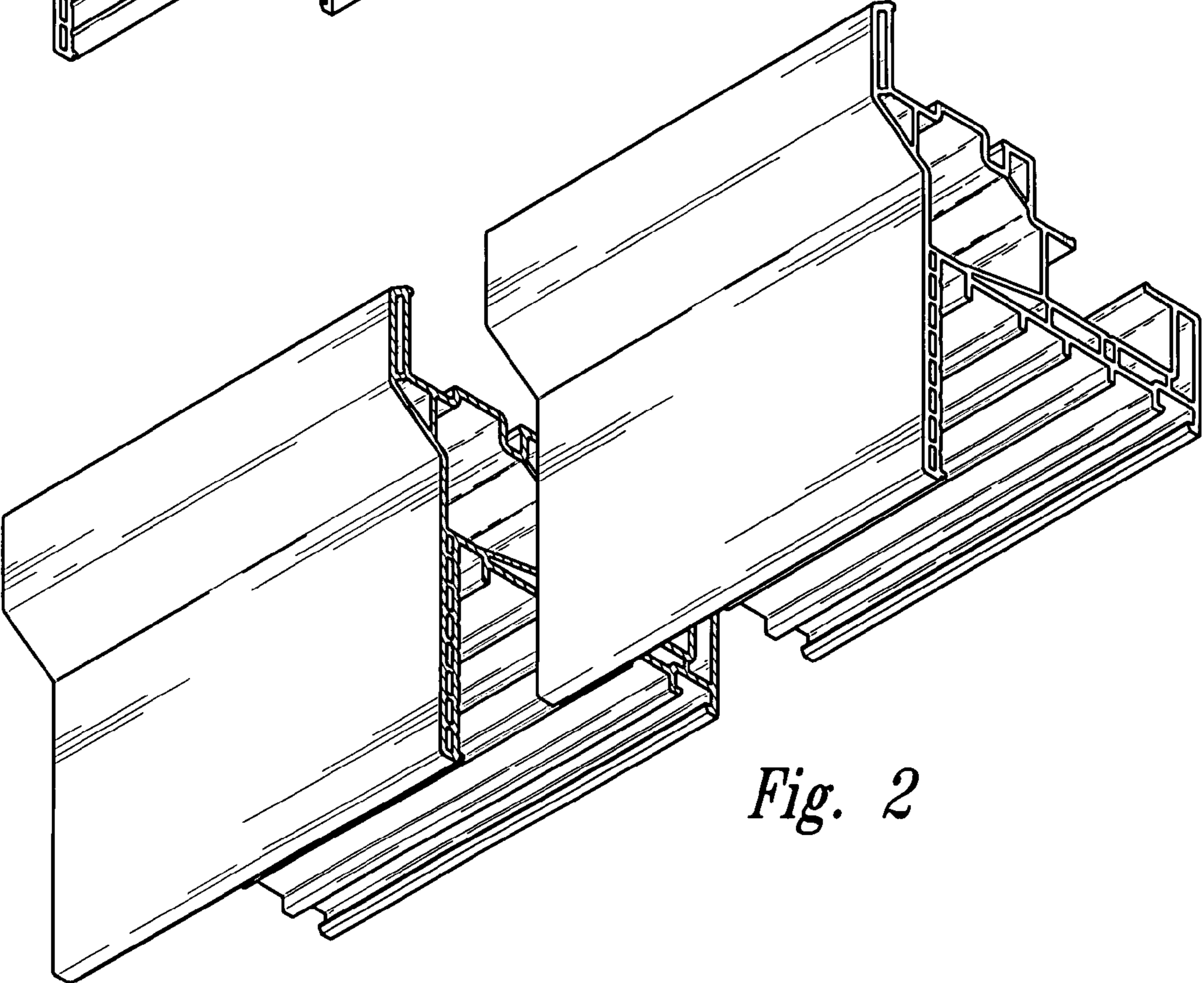
FIG. 2 is a bottom left perspective view of the window component extrusion shown in FIG. 1.

**1 Claim, 1 Drawing Sheet**





*Fig. 1*



*Fig. 2*