



US00D593215S

(12) **United States Design Patent**
Böhler

(10) **Patent No.:** **US D593,215 S**

(45) **Date of Patent:** **** May 26, 2009**

(54) **PARTITIONING WALL**

7,210,270 B1 * 5/2007 King et al. 52/239

(75) Inventor: **Jürgen Böhler**, Lauterach (AT)

* cited by examiner

(73) Assignee: **Julius Blum GmbH**, Hochst (AT)

Primary Examiner—Catherine R Oliver
(74) *Attorney, Agent, or Firm*—Wenderoth, Lind & Ponack,
L.L.P.

(**) Term: **14 Years**

(21) Appl. No.: **29/309,345**

(57) **CLAIM**

(22) Filed: **Jul. 29, 2008**

The ornamental design for a partitioning wall, as shown and described.

(30) **Foreign Application Priority Data**

Feb. 22, 2008 (EM) 000883871-0001

DESCRIPTION

(51) **LOC (9) Cl.** **25-02**

FIG. 1 is a perspective view of a partitioning wall;

(52) **U.S. Cl.** **D25/58**

FIG. 2 is a front view of the partitioning wall of FIG. 1;

(58) **Field of Classification Search** D25/58,

FIG. 3 is a rear view the partitioning wall of FIG. 1;

D25/138, 119; 52/239, 238.1, 243, 243.1,
52/242, 262–236, 266–267; 160/19–21,
160/38, 351; D6/332

FIG. 4 is a right side view of the partitioning wall of FIG. 1;

FIG. 5 is a left view of the partitioning wall of FIG. 1;

See application file for complete search history.

FIG. 6 is a bottom view of the partitioning wall of FIG. 1;

FIG. 7 is a top view of the partitioning wall of FIG. 1; and,

FIG. 8 is an environment perspective view of the partitioning wall of FIG. 1.

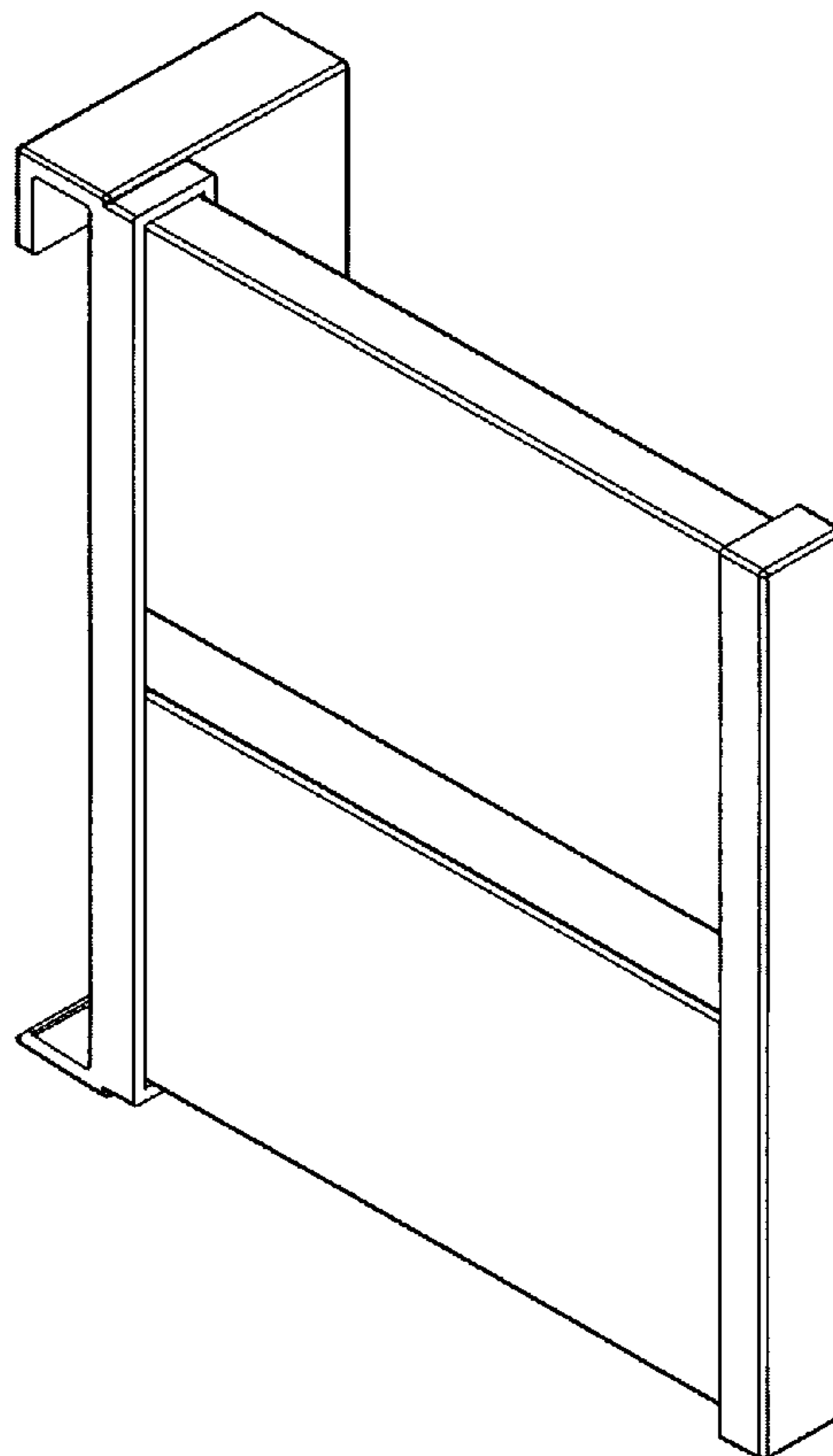
The features shown in broken lines form no portion of the claimed design.

(56) **References Cited**

U.S. PATENT DOCUMENTS

D232,308 S * 8/1974 Totoonchie D25/58
D407,501 S * 3/1999 Shipman et al. D25/58
D485,368 S * 1/2004 Hayashi D25/58
D541,948 S * 5/2007 Robson et al. D25/58

1 Claim, 4 Drawing Sheets



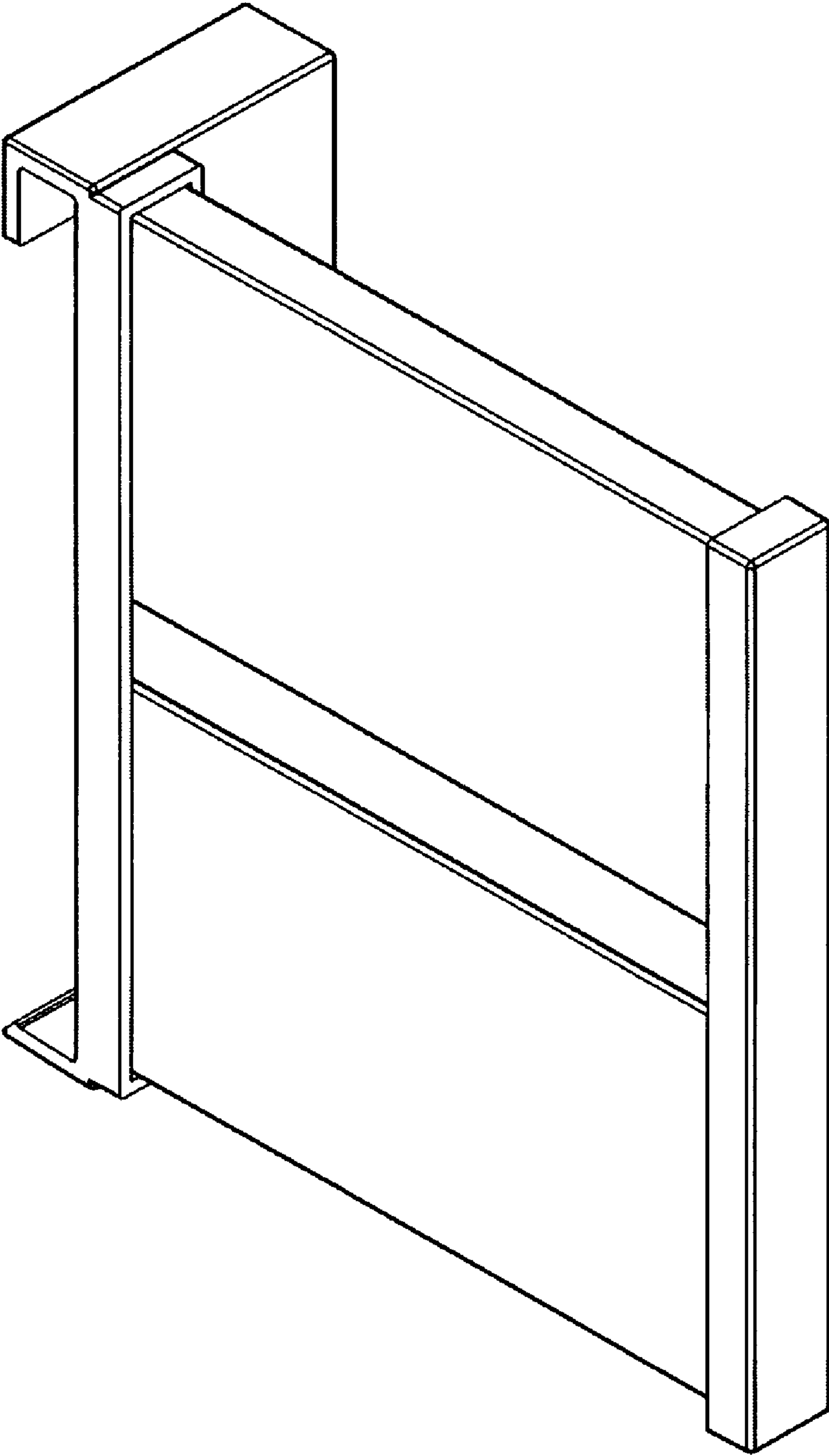


Fig. 1

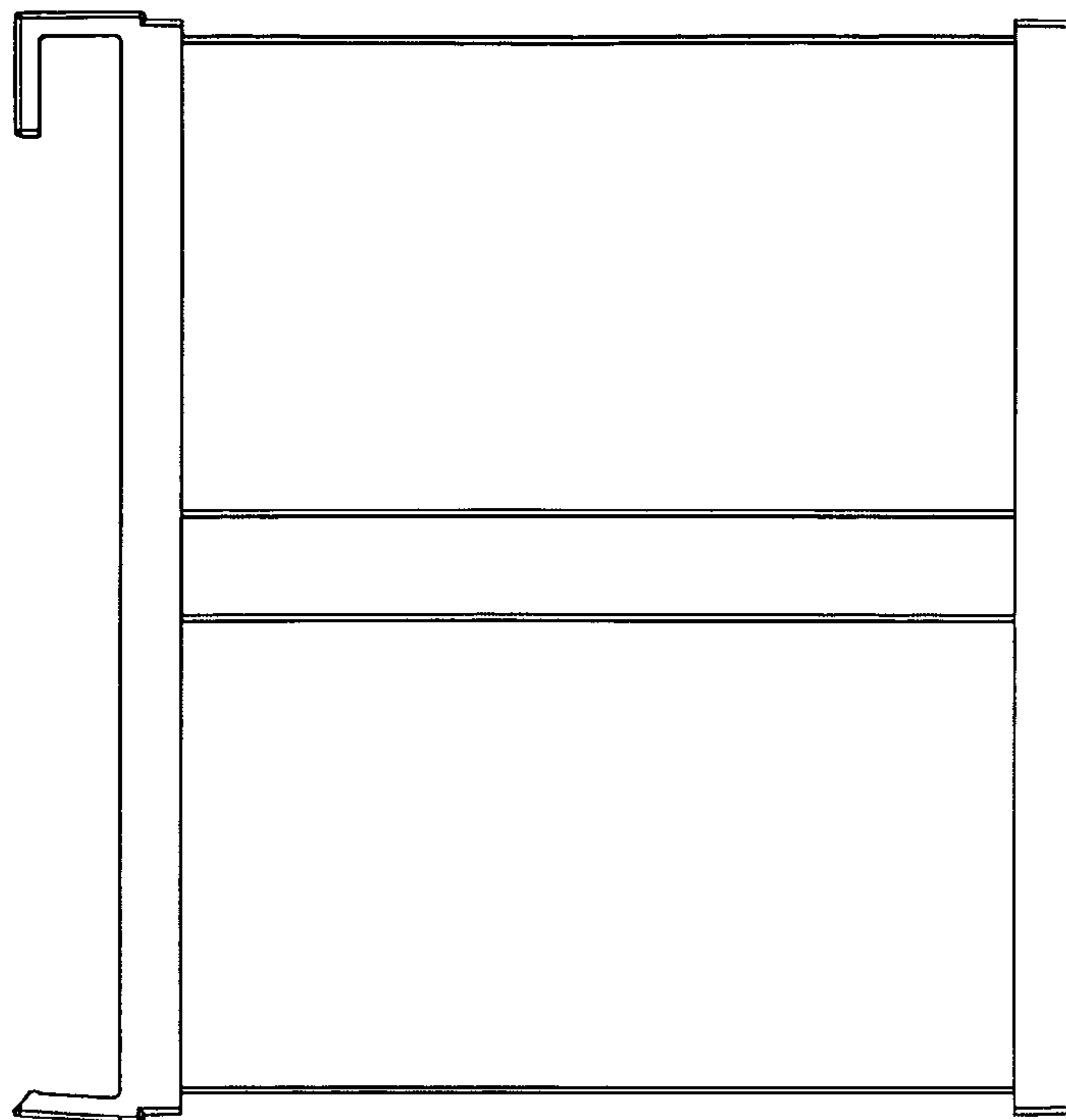


Fig. 2

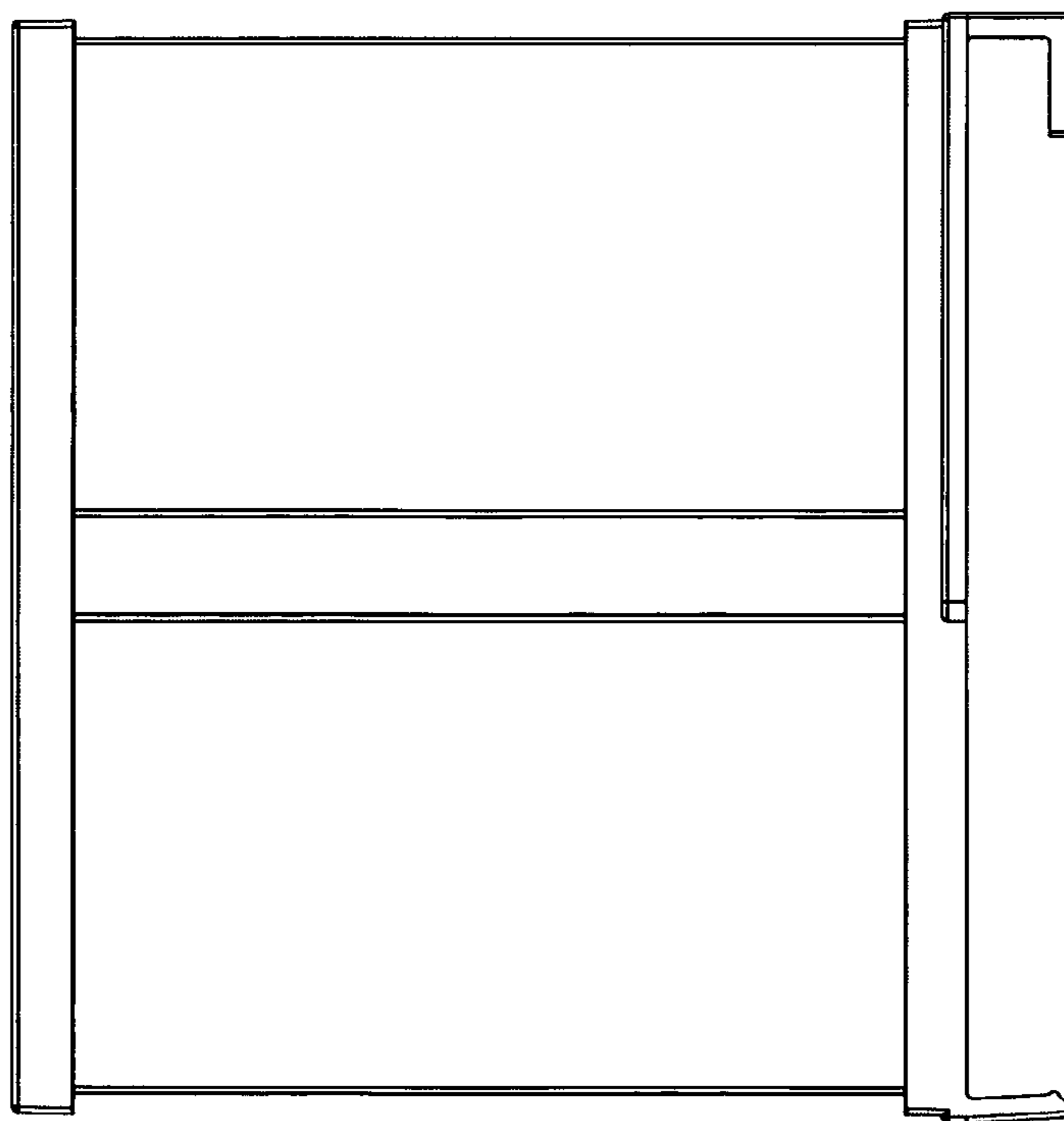


Fig. 3

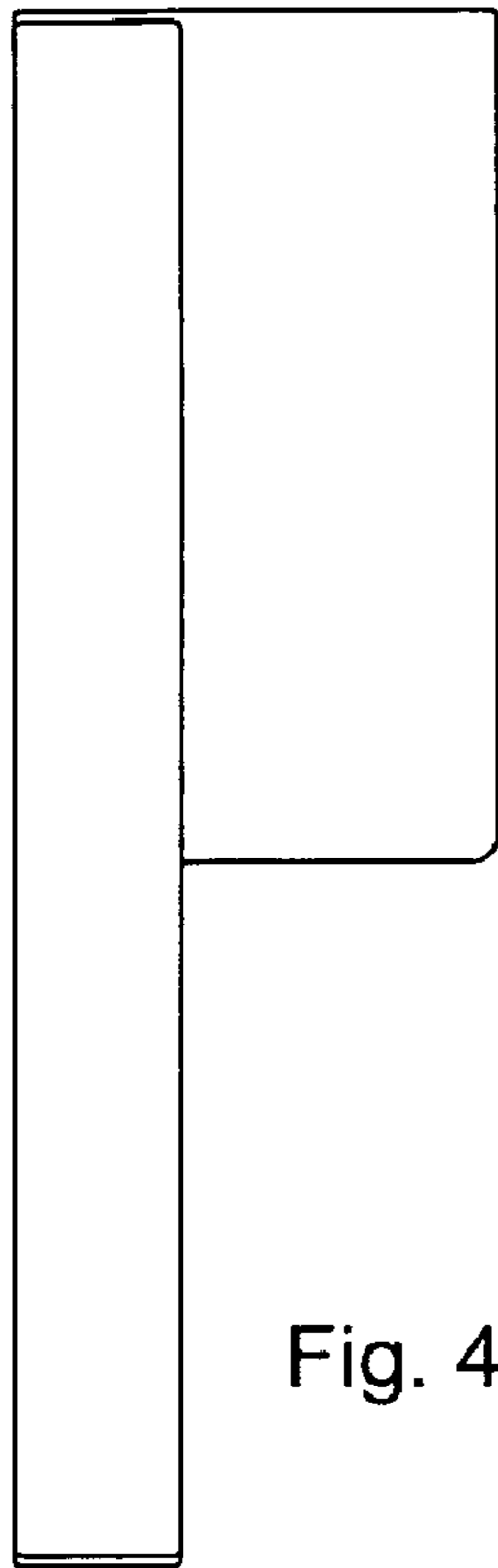


Fig. 4

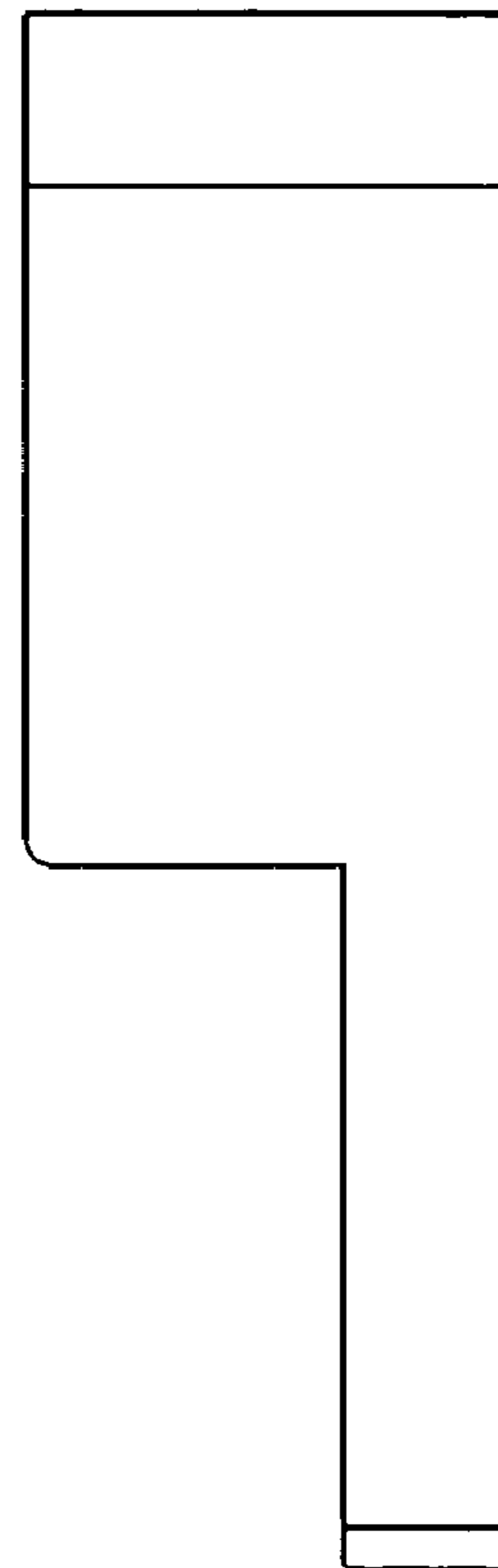


Fig. 5

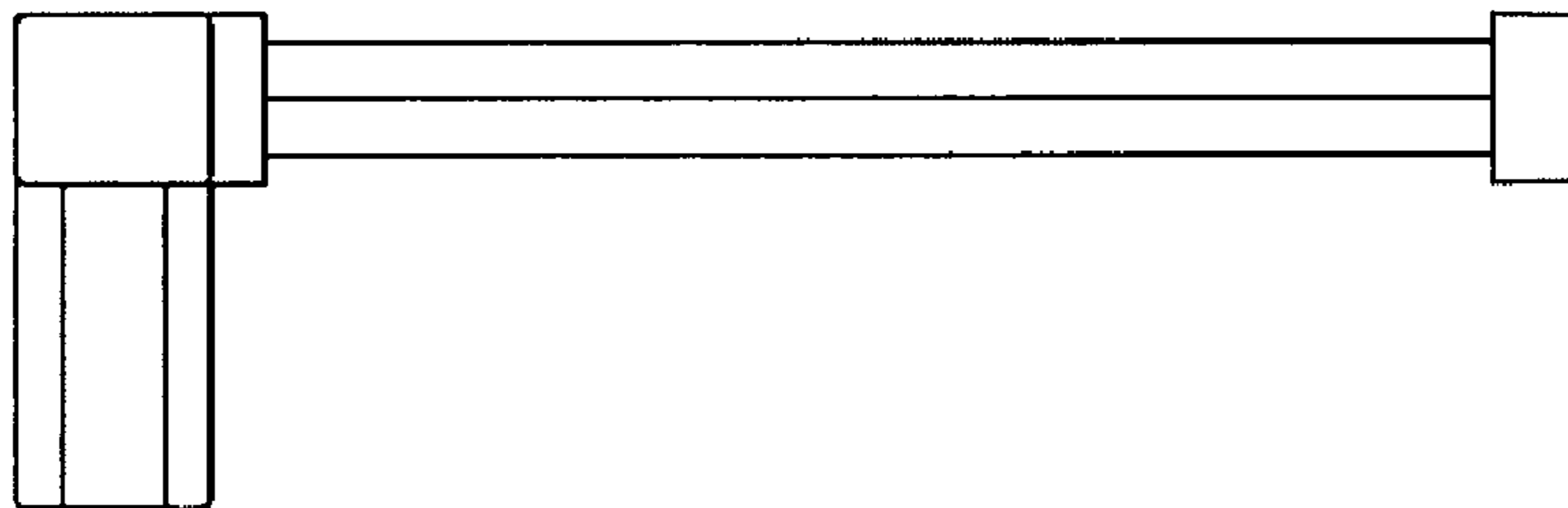


Fig. 6



Fig. 7

