

US00D593214S

(12) **United States Design Patent**
Böhler

(10) **Patent No.:** **US D593,214 S**

(45) **Date of Patent:** **** May 26, 2009**

(54) **PARTITIONING WALL**

(75) Inventor: **Jürgen Böhler**, Lauterach (AT)

(73) Assignee: **Julius Blum GmbH**, Hochst (AT)

(**) Term: **14 Years**

(21) Appl. No.: **29/309,344**

(22) Filed: **Jul. 29, 2008**

(30) **Foreign Application Priority Data**

Feb. 22, 2008 (EM) 000883871-0002

(51) **LOC (9) Cl.** **25-02**

(52) **U.S. Cl.** **D25/58**

(58) **Field of Classification Search** D25/58,
D25/119, 138; D6/332; 52/239, 242, 243,
52/262–263, 266–267; 160/19–21, 38, 351
See application file for complete search history.

(56) **References Cited**

U.S. PATENT DOCUMENTS

D232,308 S *	8/1974	Totoonchie	D25/58
D407,501 S *	3/1999	Shipman et al.	D25/58
D485,368 S *	1/2004	Hayashi	D25/58
D541,948 S *	5/2007	Robson et al.	D25/58
7,210,270 B1 *	5/2007	King et al.	52/239

* cited by examiner

Primary Examiner—Catherine R Oliver

(74) *Attorney, Agent, or Firm*—Wenderoth, Lind & Ponack, L.L.P.

(57) **CLAIM**

The ornamental design for a partitioning wall, as shown and described.

DESCRIPTION

FIG. 1 is a perspective view of a partitioning wall;

FIG. 2 is a front view of the partitioning wall of FIG. 1;

FIG. 3 is a top view of the partitioning wall of FIG. 1;

FIG. 4 is a bottom view of the partitioning wall of FIG. 1;

FIG. 5 is a right side view of the partitioning wall of FIG. 1;

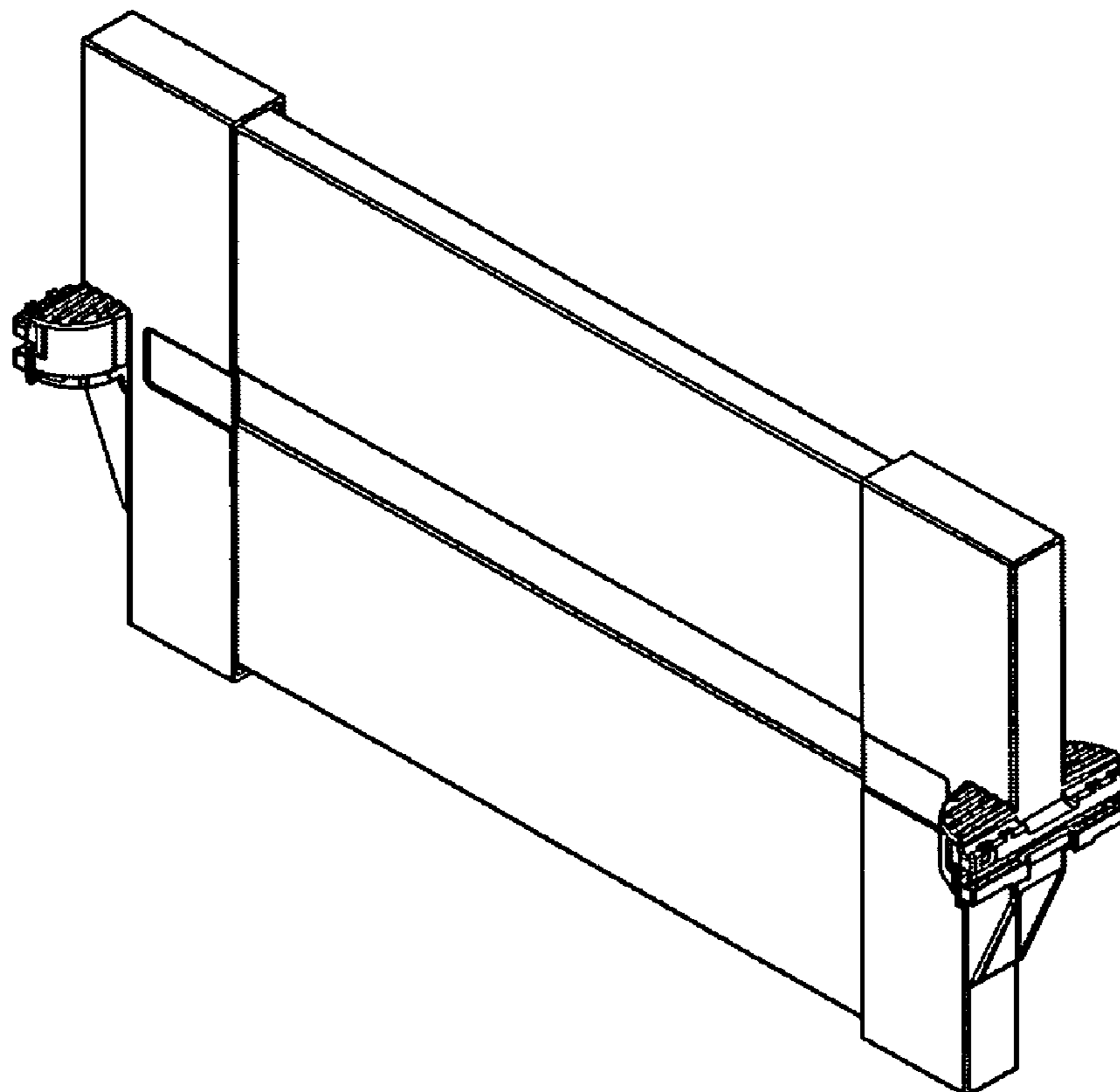
FIG. 6 is a rear view of the partitioning wall of FIG. 1;

FIG. 7 is a left side view of the partitioning wall of FIG. 1; and,

FIG. 8 is an environment perspective view of the partitioning wall of FIG. 1.

The features shown in broken lines form no portion of the claimed design.

1 Claim, 4 Drawing Sheets



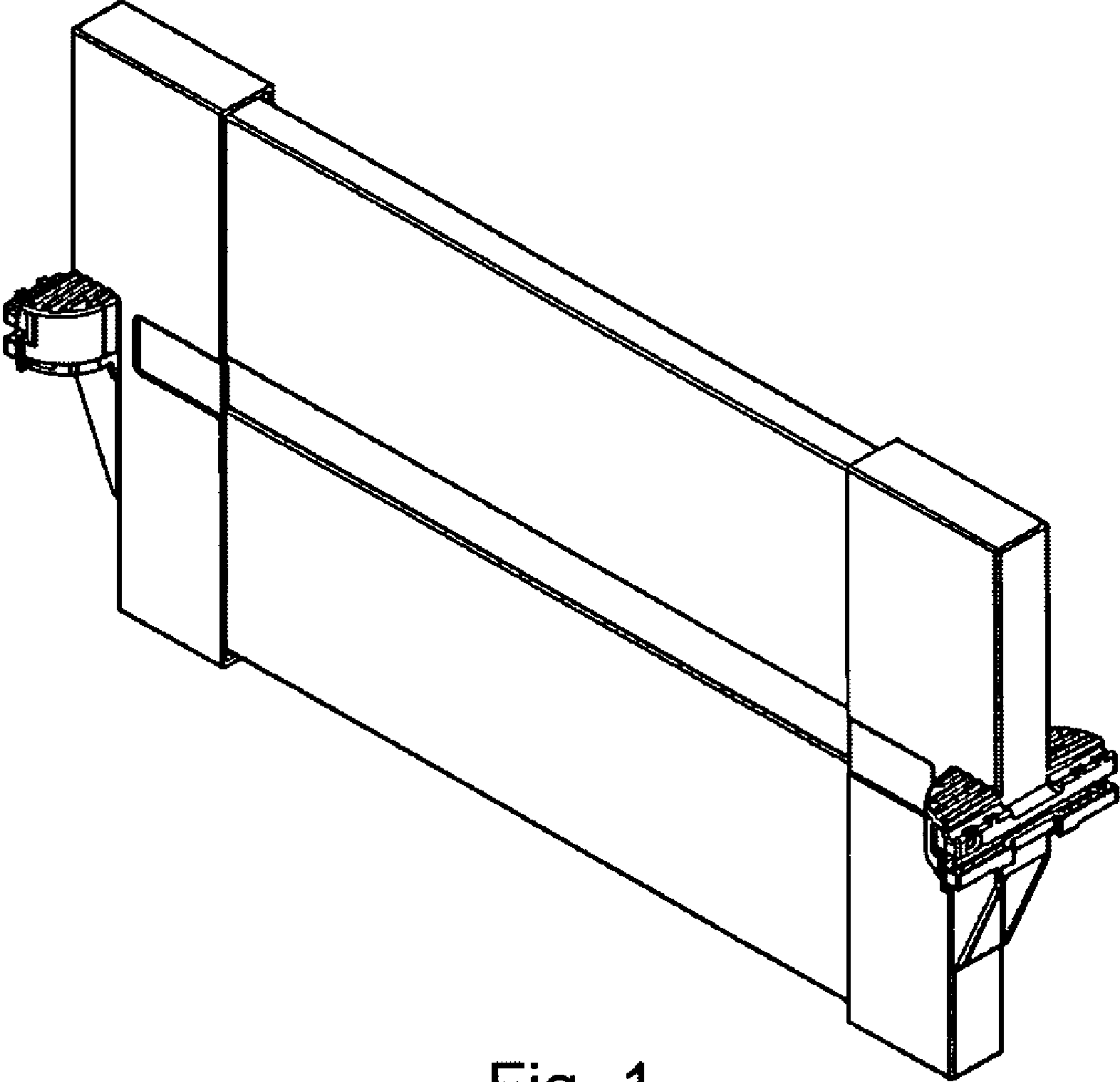


Fig. 1

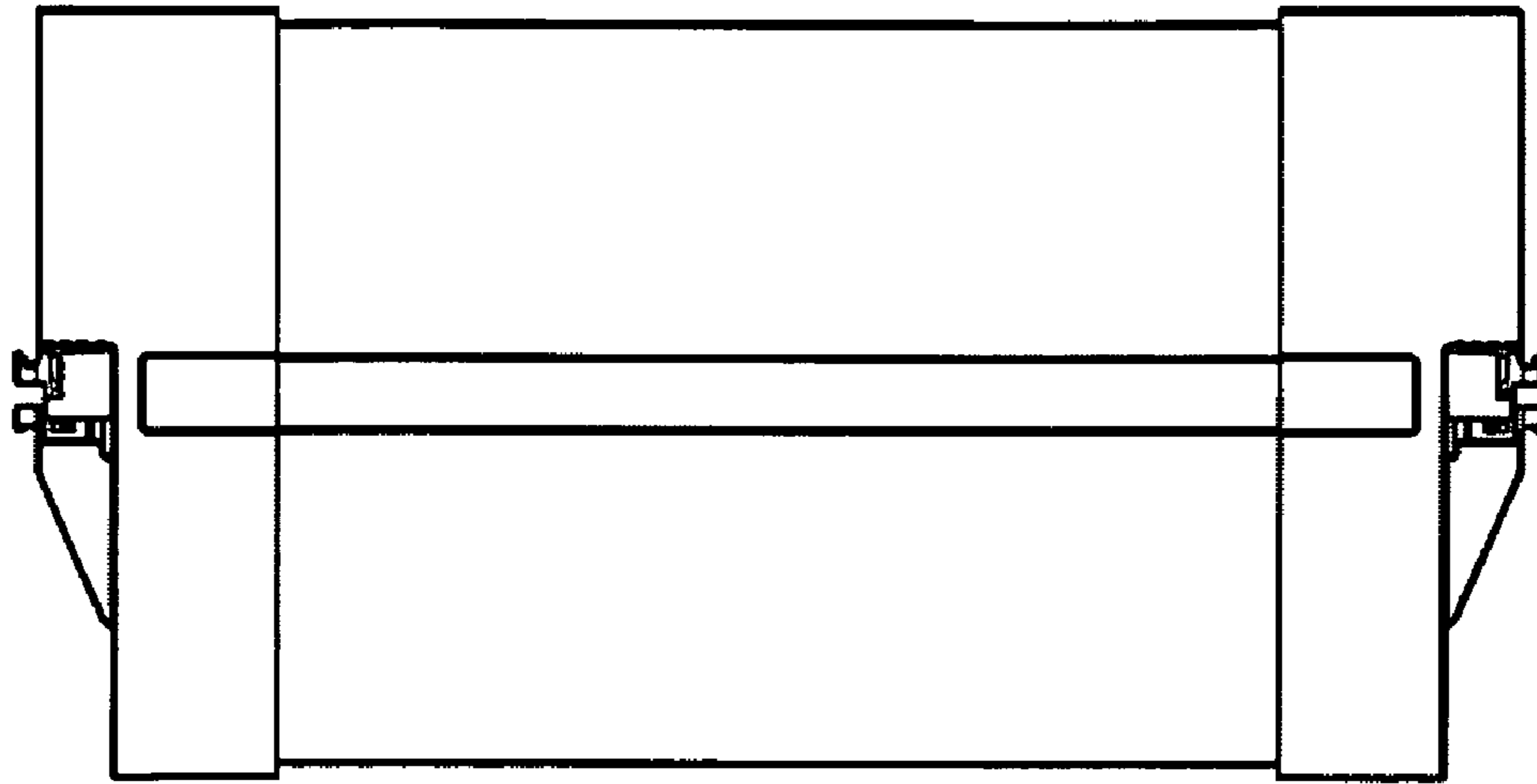


Fig. 2



Fig. 3

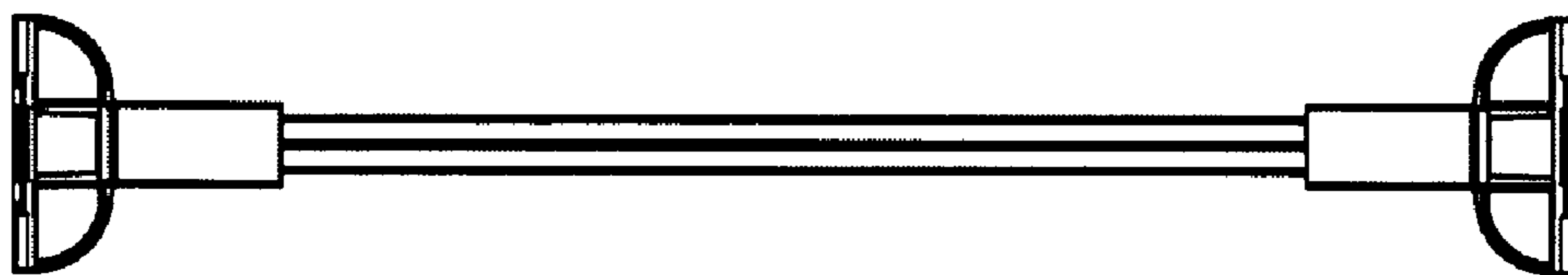


Fig. 4

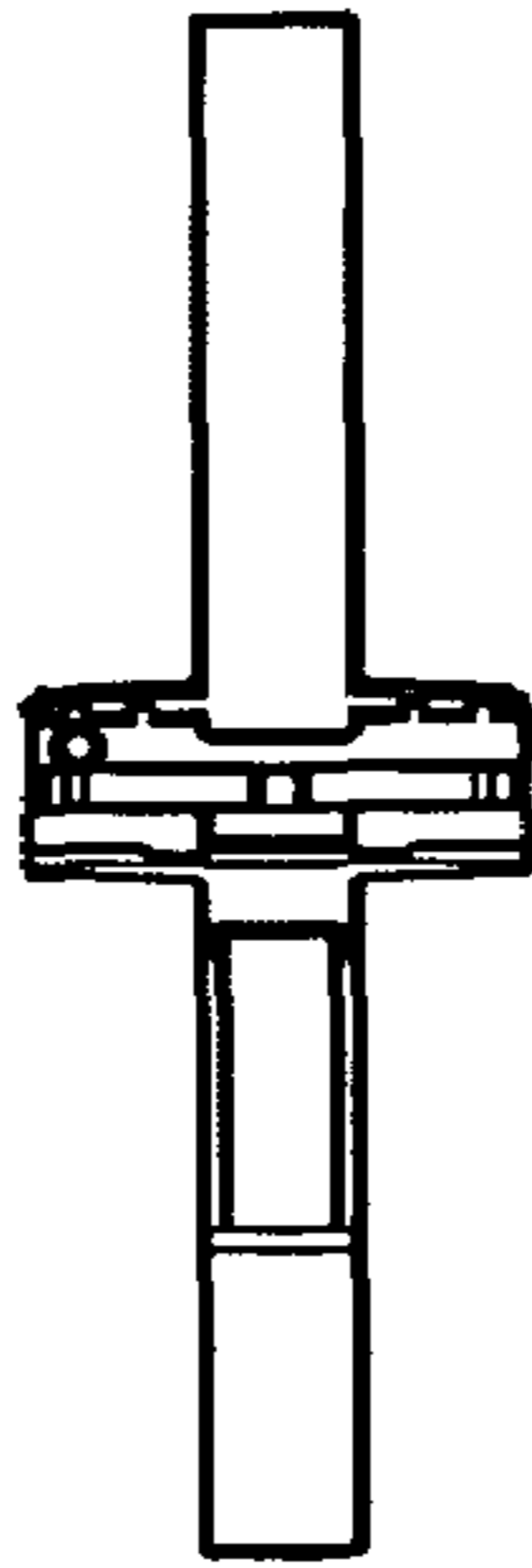


Fig. 5

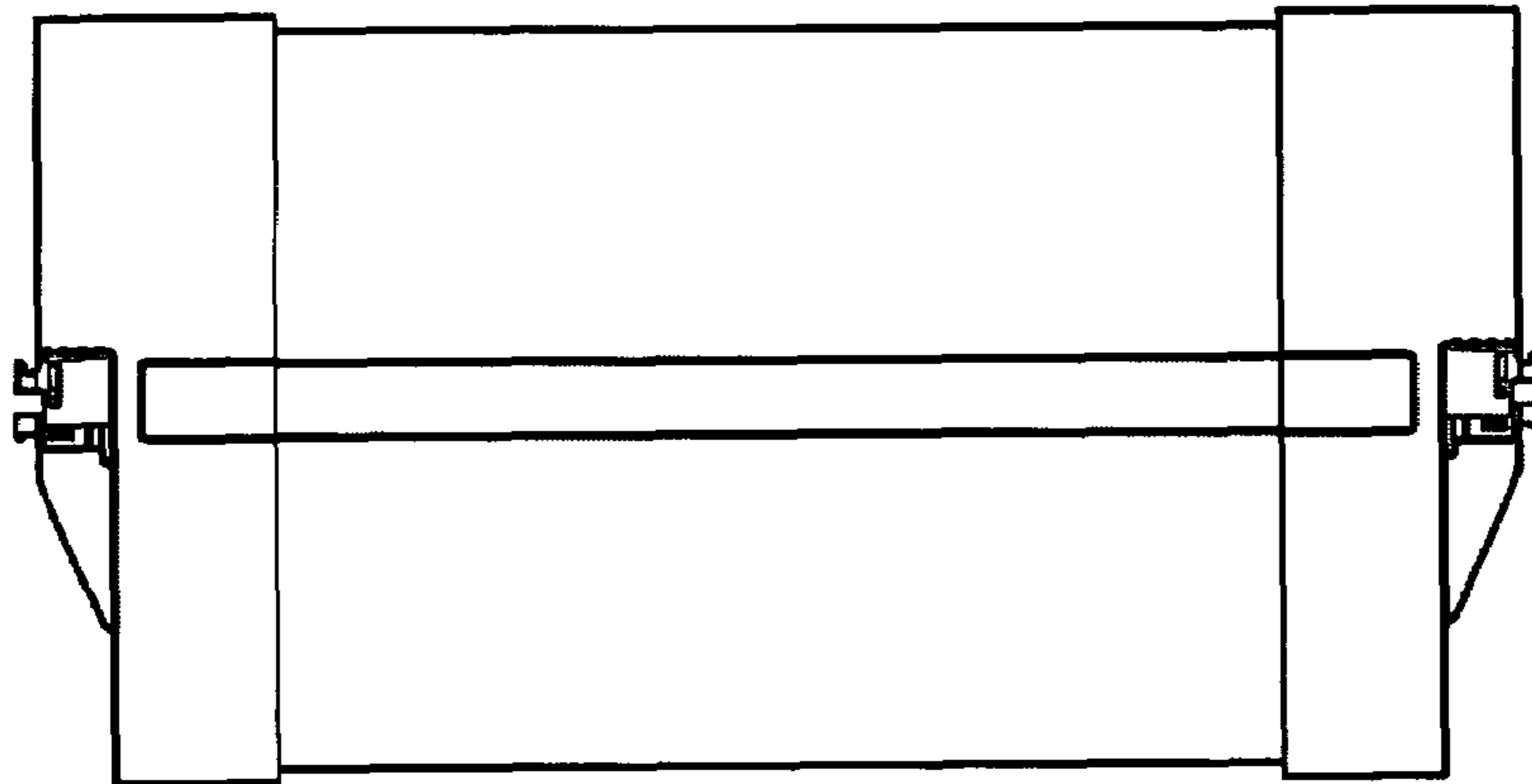


Fig. 6

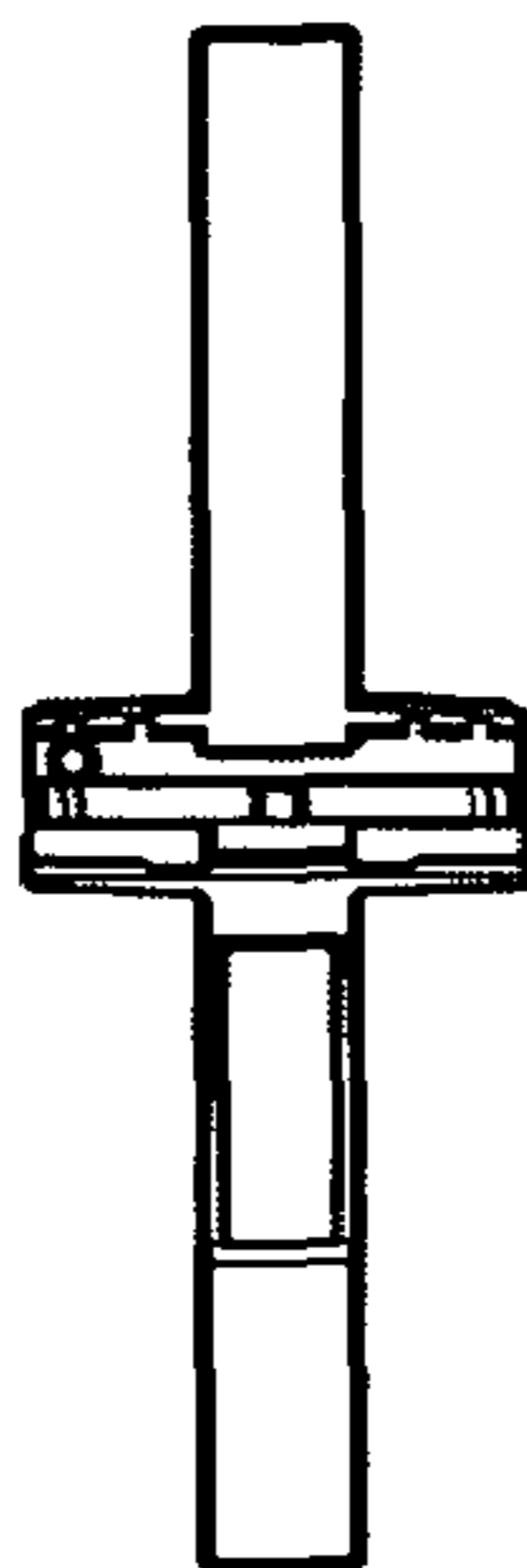


Fig. 7

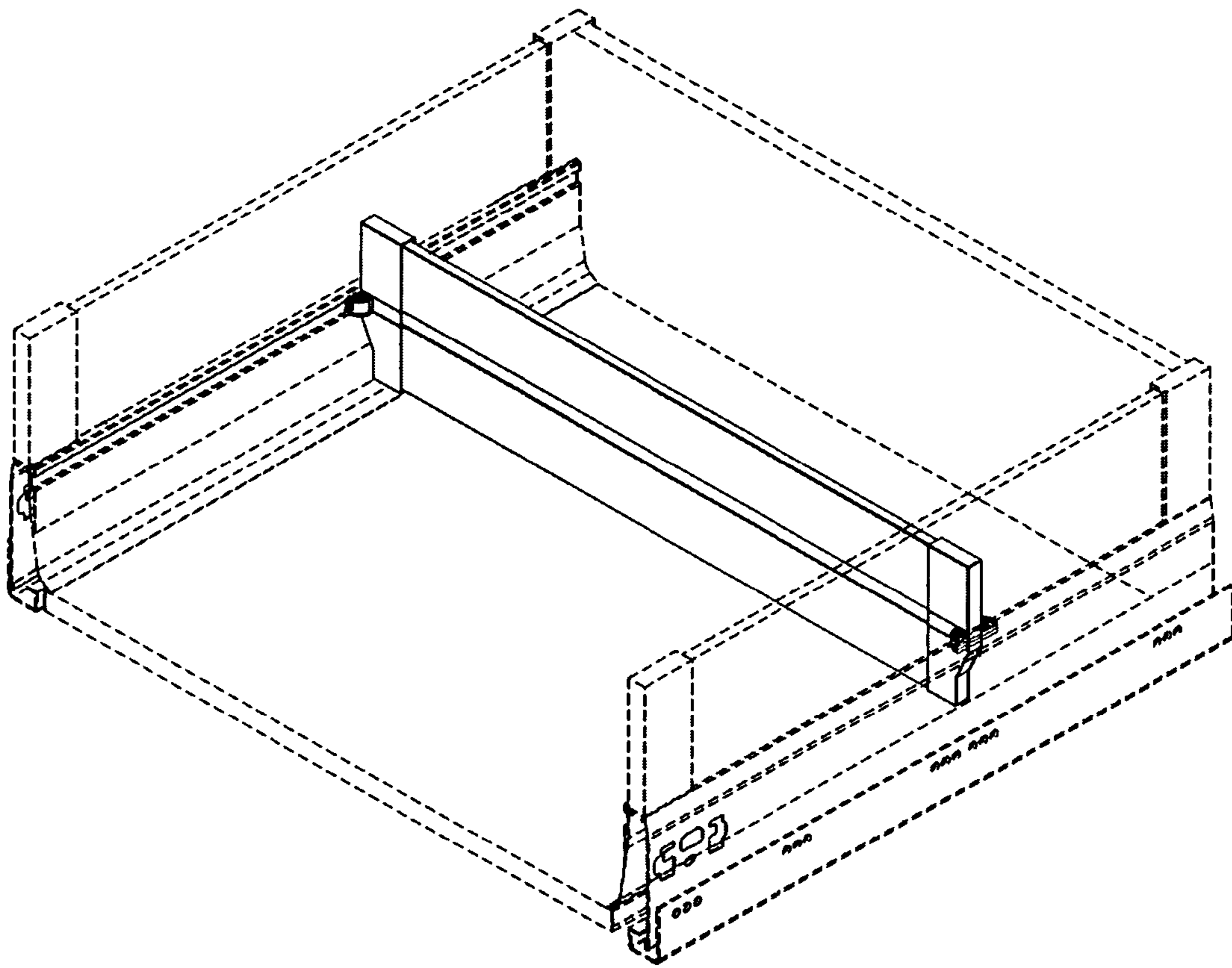


Fig. 8