



US00D593206S

(12) **United States Design Patent**
Kopoian

(10) **Patent No.:** **US D593,206 S**

(45) **Date of Patent:** **** May 26, 2009**

(54) **SPECIMEN CUP HANDLE**

(75) Inventor: **Marc S. Kopoian**, Scottsdale, AZ (US)

(73) Assignee: **Choyce Products, Inc.**, Scottsdale, AZ (US)

(**) Term: **14 Years**

(21) Appl. No.: **29/299,044**

(22) Filed: **Dec. 18, 2007**

(51) **LOC (9) Cl.** **24-02**

(52) **U.S. Cl.** **D24/227**

(58) **Field of Classification Search** D24/122,
D24/128, 224, 227, 232; 294/19.1, 27.1,
294/86.4; 422/99-104, 250, 266, 297, 300,
422/476; 206/363, 438, 303; 248/311.21,
248/315

See application file for complete search history.

(56) **References Cited**

U.S. PATENT DOCUMENTS

D306,648	S	*	3/1990	Jones et al.	D24/128
D335,178	S	*	4/1993	Jones et al.	D24/128
D335,179	S	*	4/1993	Jones et al.	D24/227
D335,180	S	*	4/1993	Jones et al.	D24/227
D335,346	S	*	5/1993	Jones et al.	D24/227
D335,708	S	*	5/1993	Jones et al.	D24/227
D338,064	S	*	8/1993	Jones et al.	D24/128
D364,458	S	*	11/1995	Jones et al.	D24/227

5,492,220	A	*	2/1996	Estay	D24/128
D399,007	S	*	9/1998	Jones et al.	D24/227
D408,913	S		4/1999	Jones		
2006/0220401	A1	*	10/2006	Schwartz	294/27.1

* cited by examiner

Primary Examiner—Robert A. Delehanty

Assistant Examiner—Mark Cavanna

(74) *Attorney, Agent, or Firm*—Jordan M. Meschkow; Lowell W. Gresham; Gouri G. Nair

(57) **CLAIM**

The ornamental design for a specimen cup handle, as shown and described.

DESCRIPTION

FIG. 1 is a perspective view of a specimen cup holder showing my new design, the broken line showing of a specimen cup is for illustrative purposes only and forms no part of the claimed design;

FIG. 2 is a top plan view, thereof;

FIG. 3 is a bottom plan view, thereof;

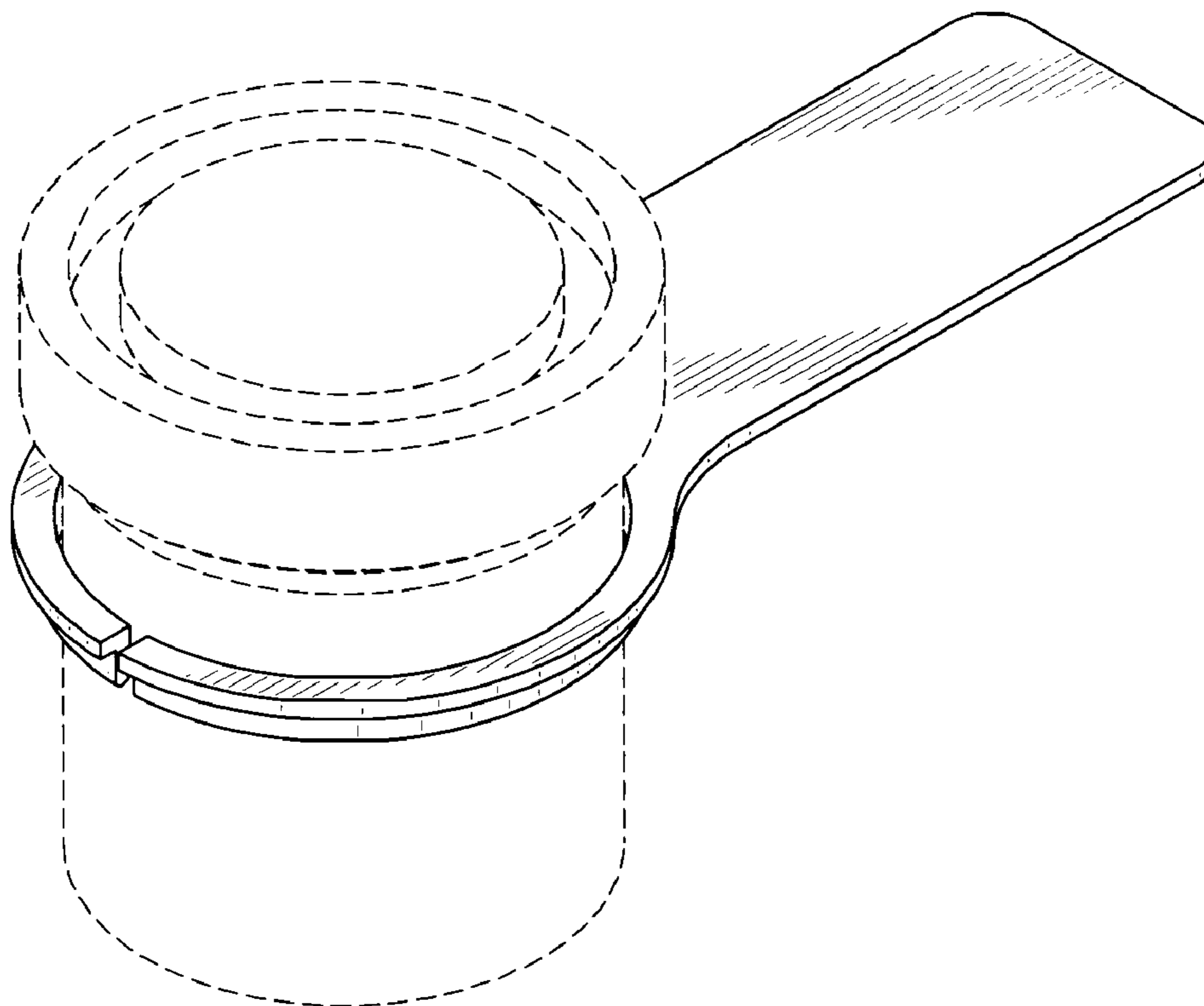
FIG. 4 is a side elevational view, thereof;

FIG. 5 is a side elevational view, thereof; opposite that shown in FIG. 4;

FIG. 6 is a rear elevational view, thereof; and,

FIG. 7 is a front elevational view, thereof.

1 Claim, 3 Drawing Sheets



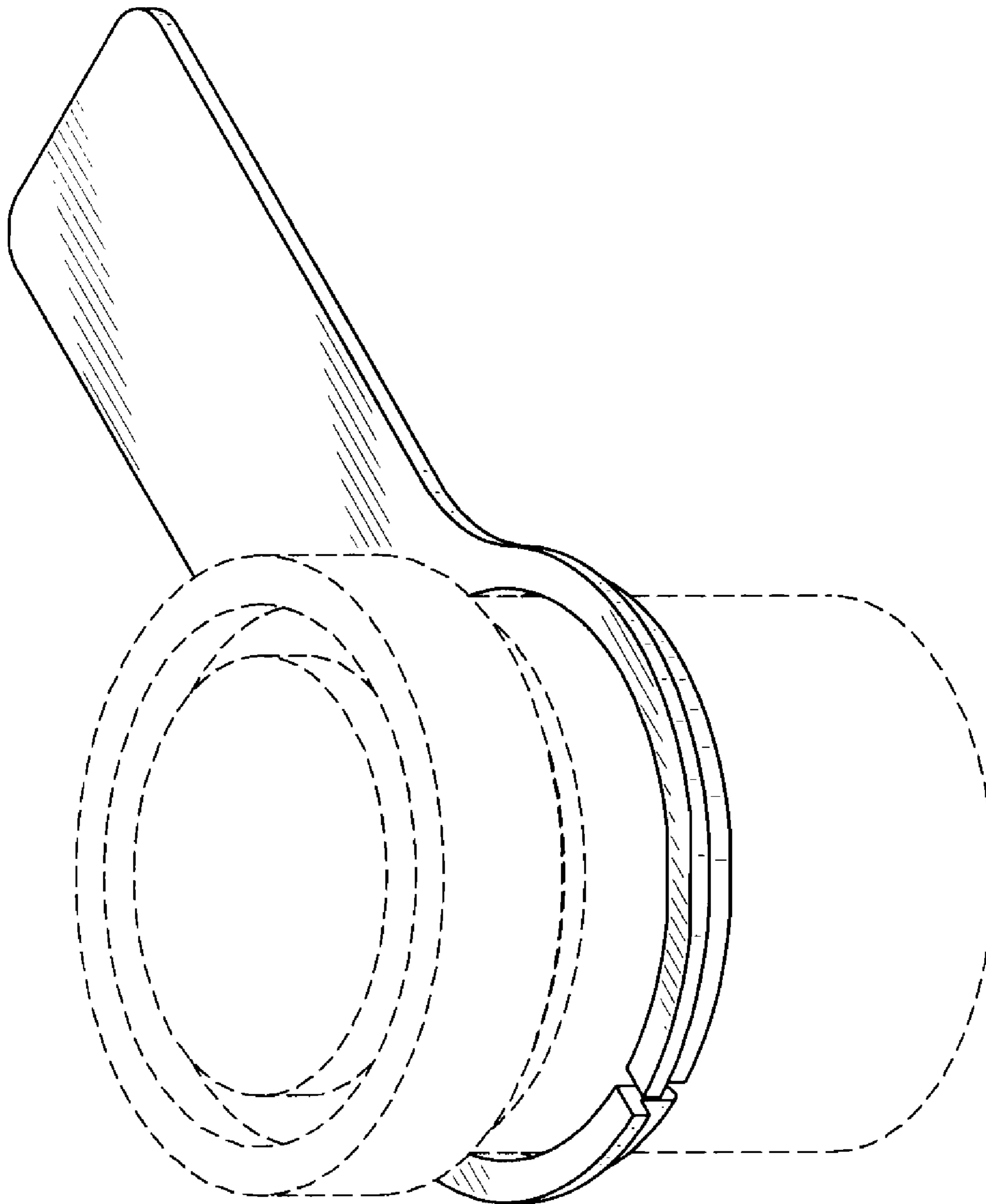


FIG. 1

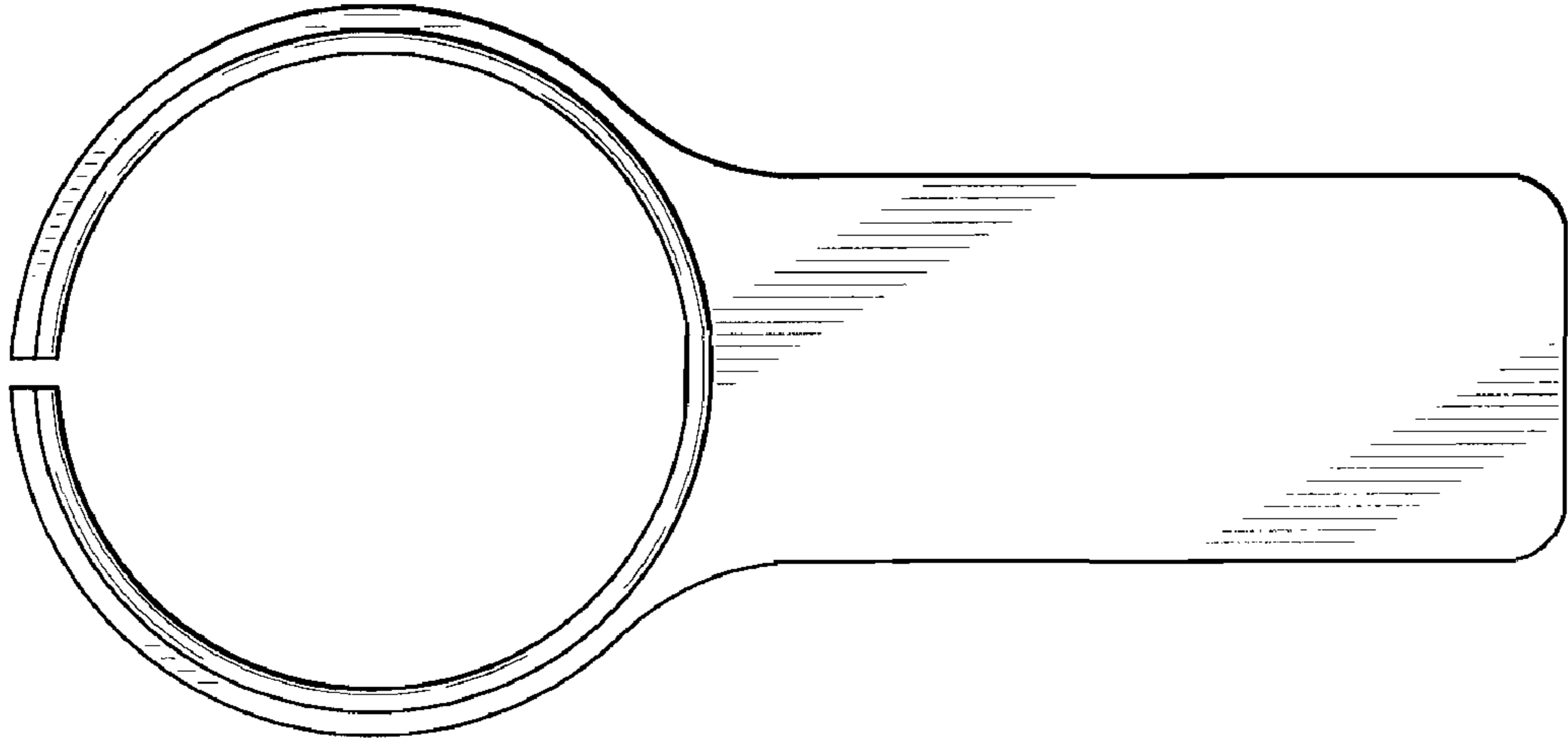


FIG. 3

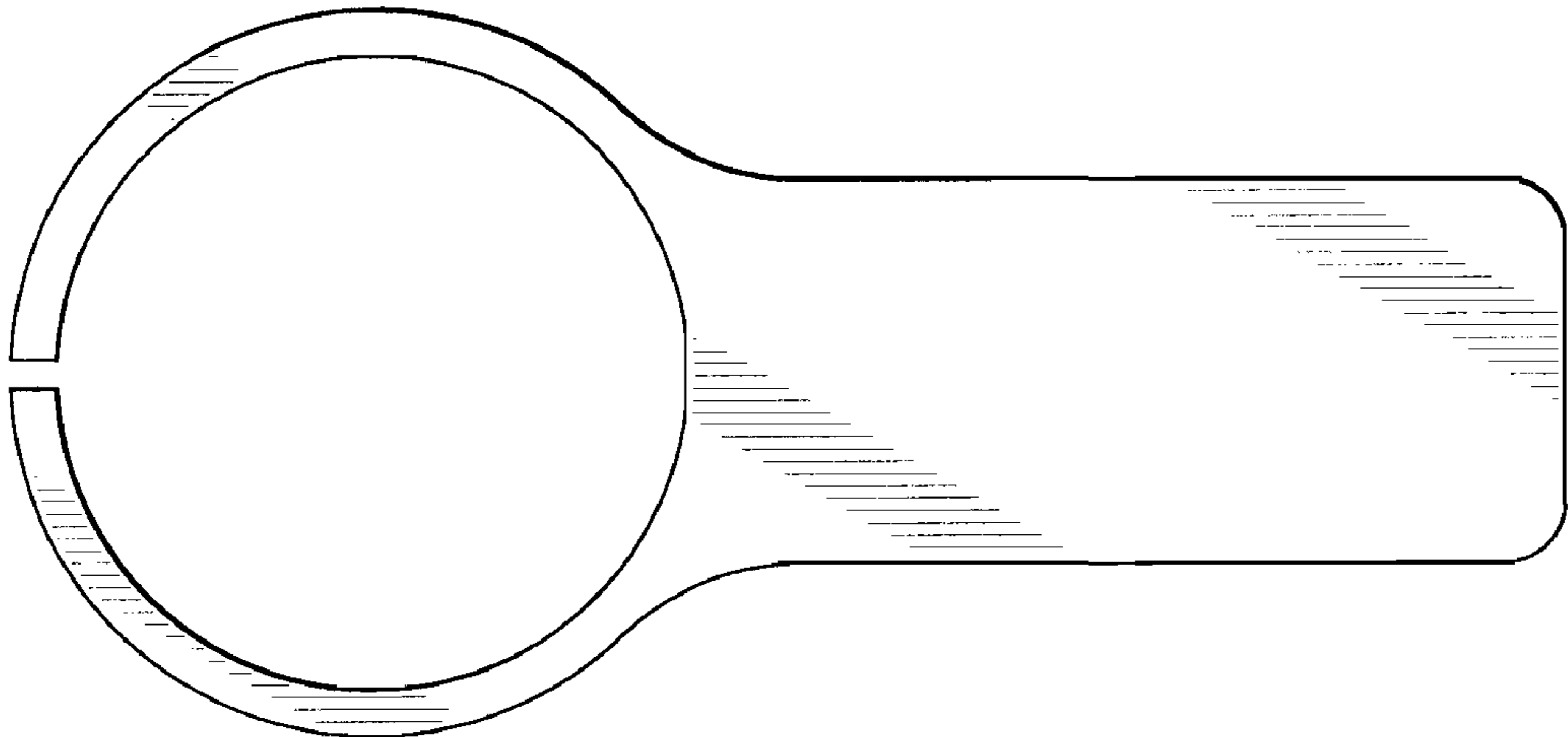


FIG. 2

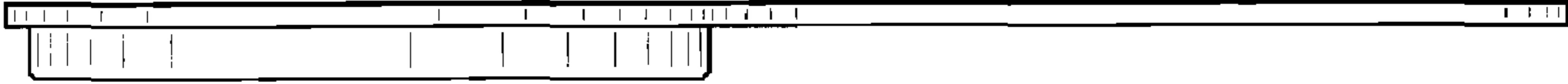


FIG. 4

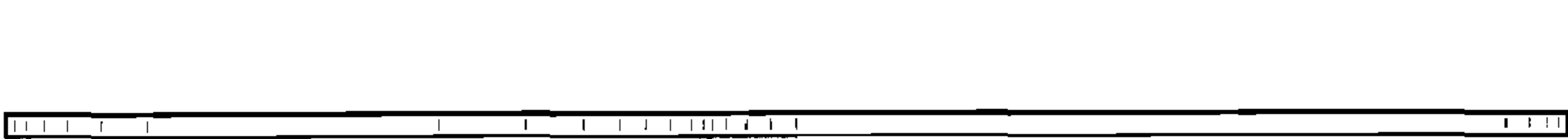


FIG. 5

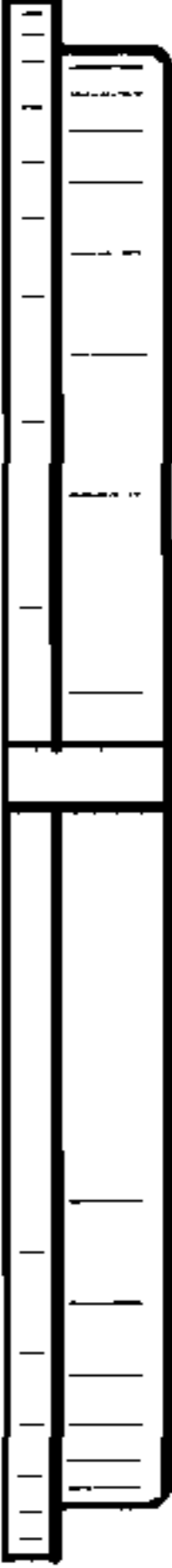


FIG. 6



FIG. 7