



US00D593205S

(12) **United States Design Patent**
Ayliffe

(10) **Patent No.:** **US D593,205 S**

(45) **Date of Patent:** **** May 26, 2009**

(54) **PIPETTE TIP**

(75) Inventor: **Harold E. Ayliffe**, Woodinville, WA
(US)

(73) Assignee: **E.I. Spectra, LLC**

(**) Term: **14 Years**

(21) Appl. No.: **29/312,538**

(22) Filed: **Oct. 29, 2008**

(51) **LOC (9) Cl.** **24-02**

(52) **U.S. Cl.** **D24/222**

(58) **Field of Classification Search** D24/222,
D24/108, 112, 113, 114; D10/81; 73/864.01,
73/864.11, 864.13, 864.14, 864.16; 422/100,
422/923, 928

See application file for complete search history.

(56) **References Cited**

U.S. PATENT DOCUMENTS

- D273,613 S * 4/1984 Johnson et al. D24/222
- D275,234 S * 8/1984 Chandler et al. D24/222
- D303,151 S * 8/1989 Saint-Amand D24/222

- 4,981,315 A * 1/1991 Poli et al. 294/64.1
- D414,562 S * 9/1999 Tajima D24/222
- D439,986 S * 4/2001 Petrek D24/222
- D441,458 S * 5/2001 Petrek D24/222
- D443,364 S * 6/2001 Stevens D24/222
- D487,593 S * 3/2004 Sarna D24/222

* cited by examiner

Primary Examiner—T. Chase Nelson

Assistant Examiner—Anhdao Doan

(74) *Attorney, Agent, or Firm*—Brian C. Trask

(57) **CLAIM**

The ornamental design for a pipette tip, as shown and described.

DESCRIPTION

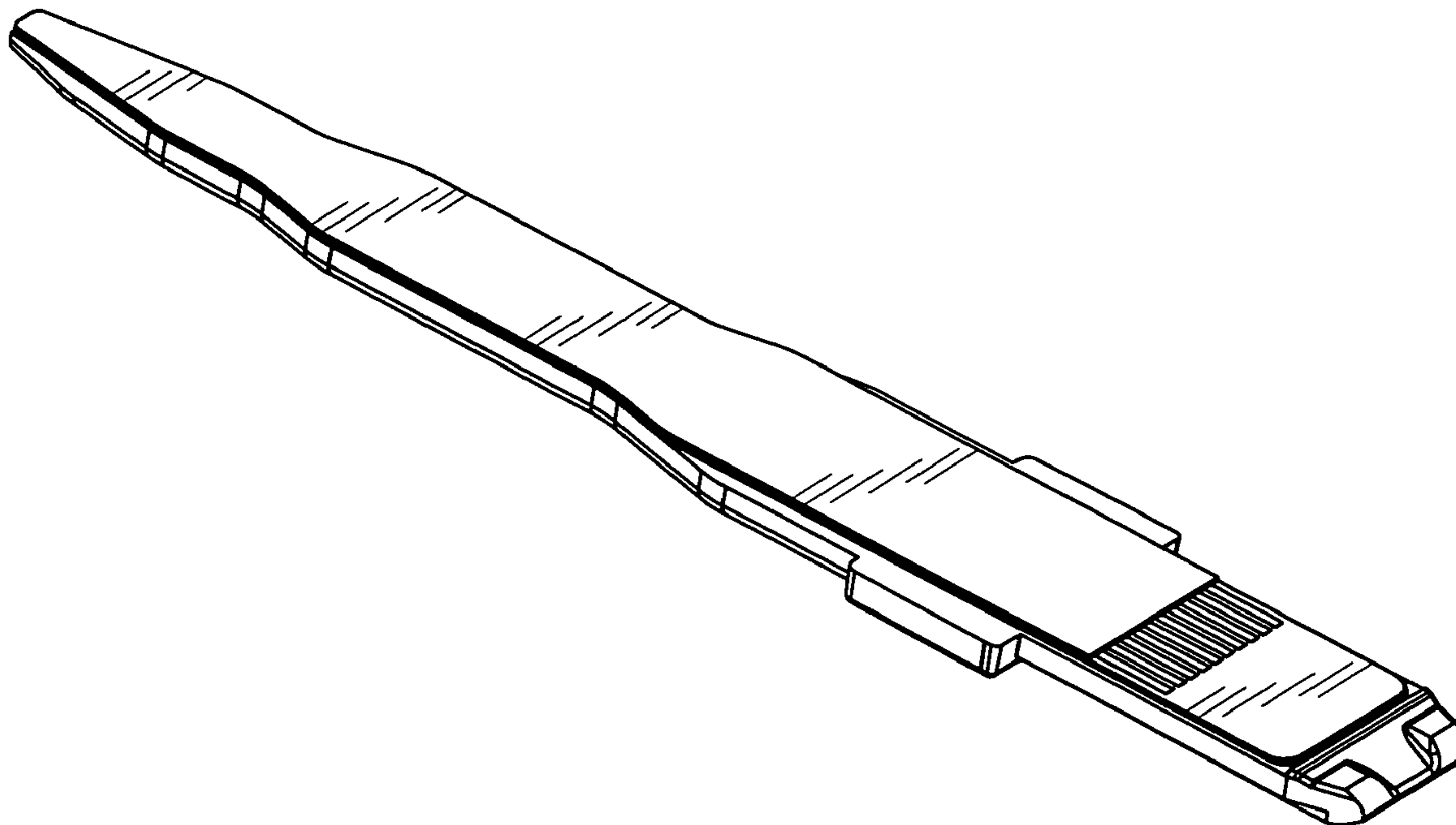
FIG. 1 is a top perspective view of a pipette tip according to my new design;

FIG. 2 is a top plan view thereof;

FIG. 3 is a bottom plan view thereof; and,

FIG. 4 is a side elevation view thereof.

1 Claim, 3 Drawing Sheets



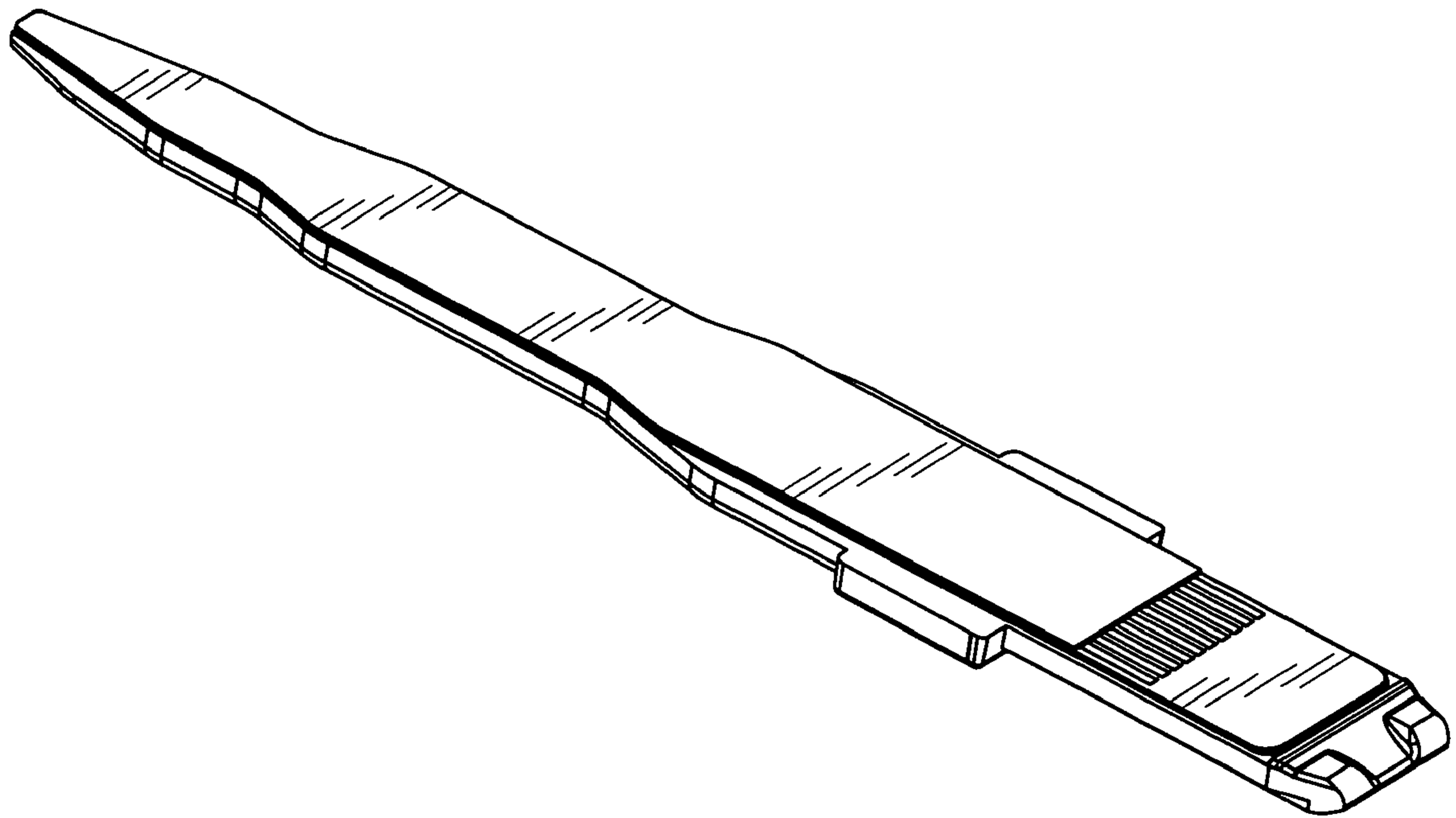


FIG. 1

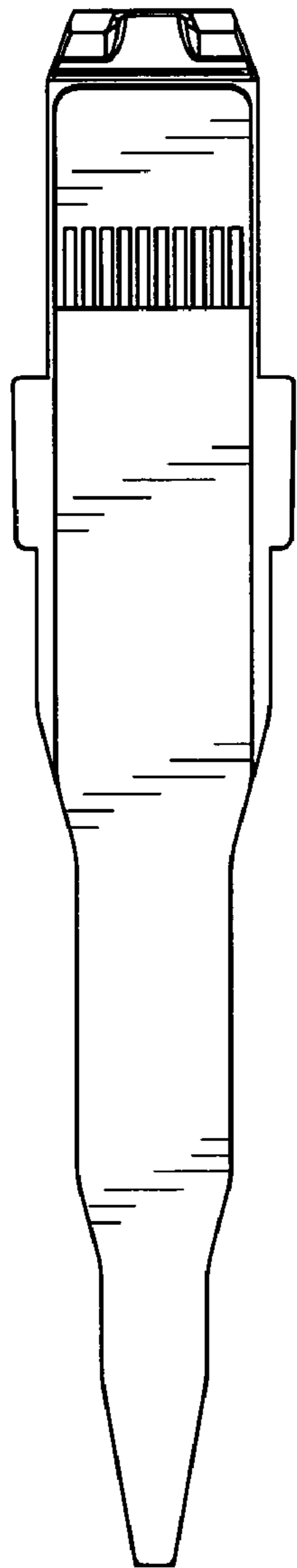


FIG. 2

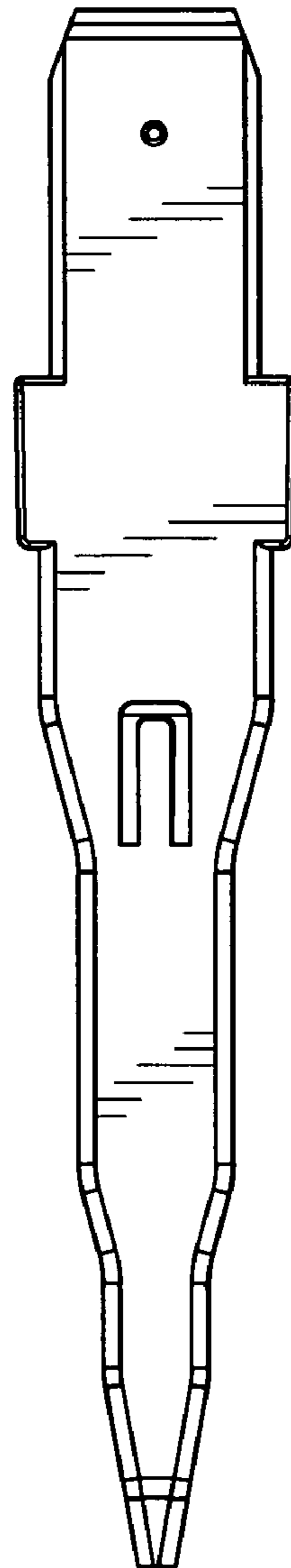


FIG. 3



FIG. 4