



US00D593198S

(12) **United States Design Patent**  
**Neumeister et al.**

(10) **Patent No.:** **US D593,198 S**  
(45) **Date of Patent:** **\*\* May 26, 2009**

(54) **SUBGINGIVAL PROPHYLAXIS UNIT**

(75) Inventors: **Alexander Neumeister**, München (DE);  
**Christiane Bausback**, München (DE);  
**Matthias Fischer**, München (DE)

(73) Assignee: **Ferton Holding S.A.** (CH)

(\*\*) Term: **14 Years**

(21) Appl. No.: **29/284,847**

(22) Filed: **Sep. 17, 2007**

(30) **Foreign Application Priority Data**

Mar. 17, 2007 (EM) ..... 000690664-0001  
Mar. 17, 2007 (EM) ..... 000690664-0002

(51) **LOC (9) Cl.** ..... **24-02**

(52) **U.S. Cl.** ..... **D24/117**

(58) **Field of Classification Search** ..... D24/111,  
D24/112, 176, 177; 424/234.1, 217.1; 433/89,  
433/86, 80, 119; 604/77

See application file for complete search history.

(56) **References Cited**

**U.S. PATENT DOCUMENTS**

D180,201 S \* 4/1957 Pratt ..... D24/117  
D235,150 S \* 5/1975 Terman ..... D24/117  
3,924,335 A \* 12/1975 Balamuth et al. .... 433/119  
4,455,140 A \* 6/1984 Joslin ..... 604/317  
D282,485 S \* 2/1986 Buhner ..... D24/177  
D298,277 S \* 10/1988 Mabile ..... D24/176

5,082,444 A \* 1/1992 Rhoades et al. .... 433/80  
5,125,837 A \* 6/1992 Warrin et al. .... 433/98  
5,503,553 A \* 4/1996 Hines ..... 433/80  
5,961,327 A \* 10/1999 Lohn ..... 433/80  
6,419,485 B1 \* 7/2002 Pond ..... 433/80  
6,837,708 B2 \* 1/2005 Chen et al. .... 433/80

\* cited by examiner

*Primary Examiner*—Charles A Rademaker

(74) *Attorney, Agent, or Firm*—Ostrolenk, Faber, Gerb & Soffen, LLP

(57) **CLAIM**

The ornamental design for a subgingival prophylaxis unit, as shown and described.

**DESCRIPTION**

FIG. 1 is a top perspective view of a subgingival prophylaxis unit, showing our new design;

FIG. 2 is a left side view thereof;

FIG. 3 is a front view thereof;

FIG. 4 is a top view thereof;

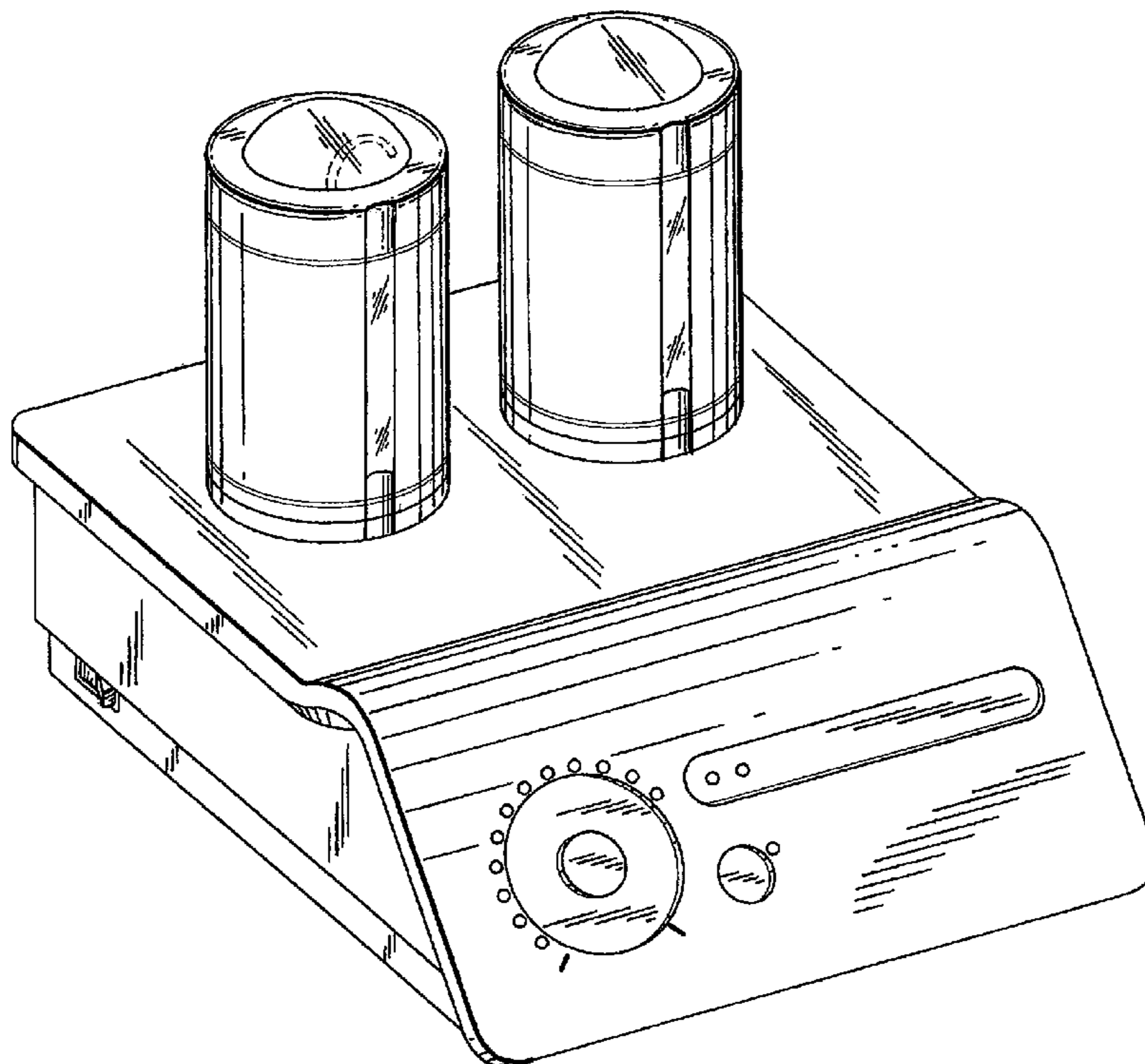
FIG. 5 is a right side view thereof; and,

FIG. 6 is a rear view thereof.

The underside of the design is not claimed.

The broken lines shown in the drawings are included for the purpose of illustrating structural environment and form no part of the claimed design.

**1 Claim, 6 Drawing Sheets**



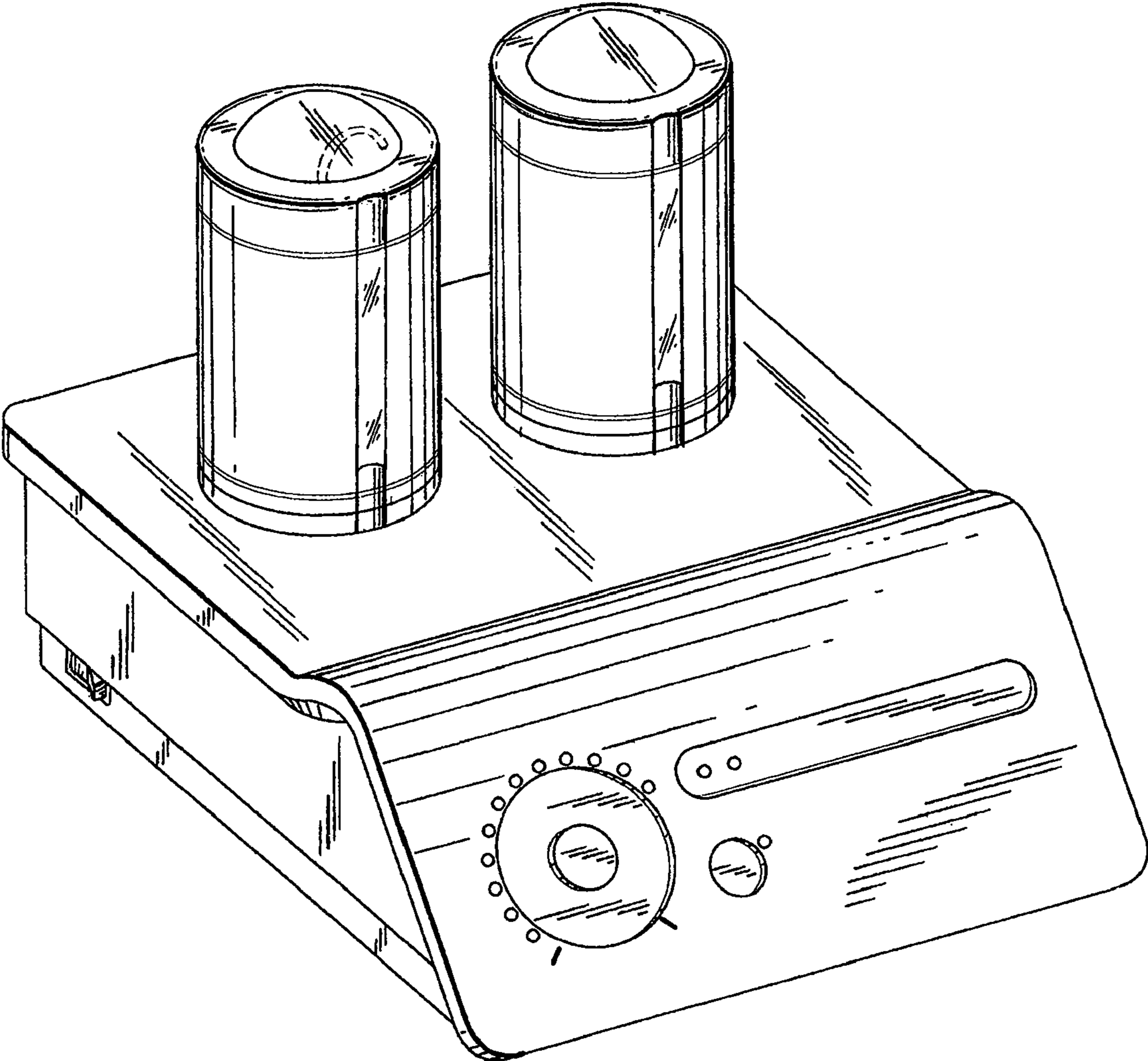


FIG. 1

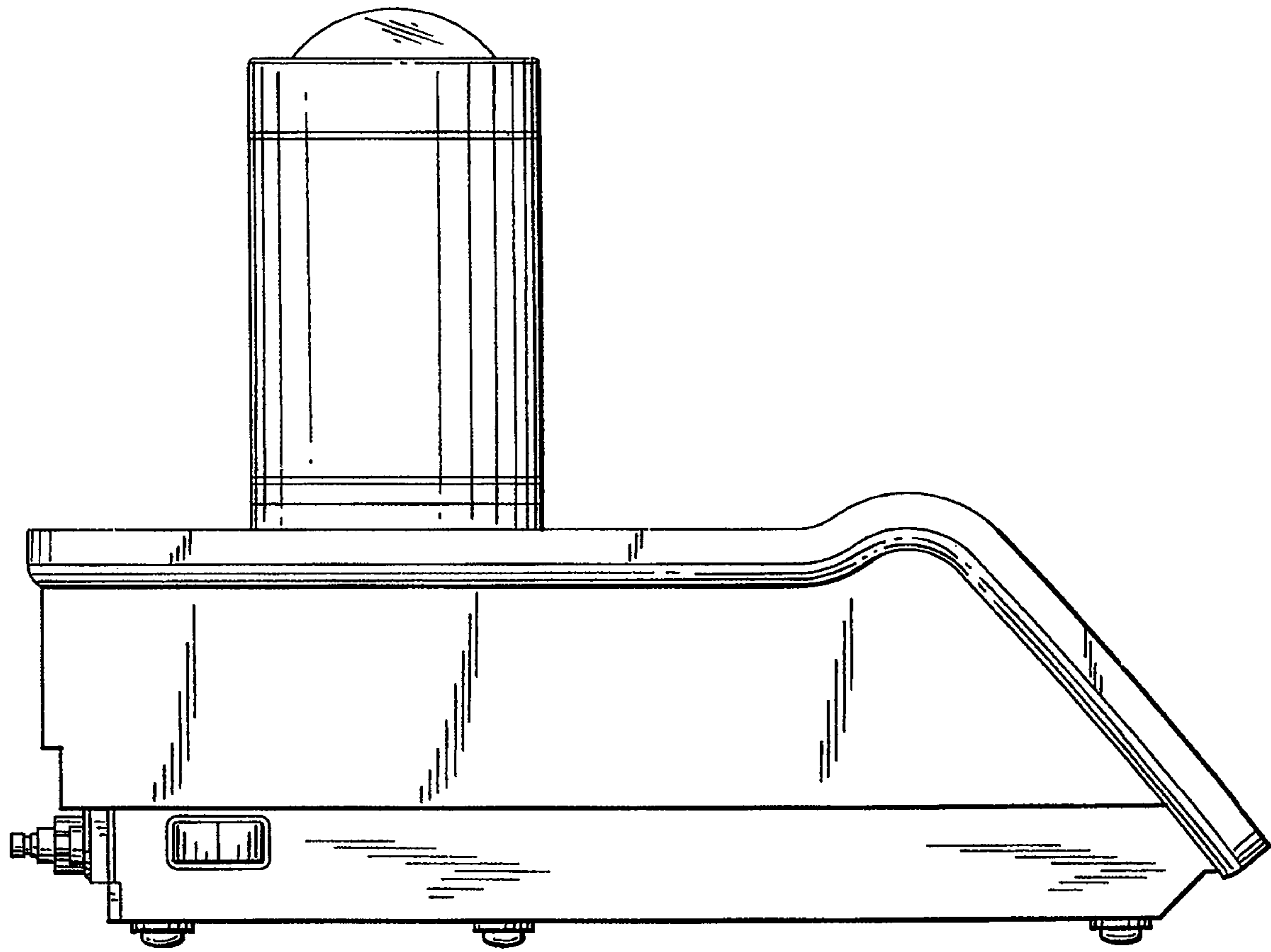


FIG. 2

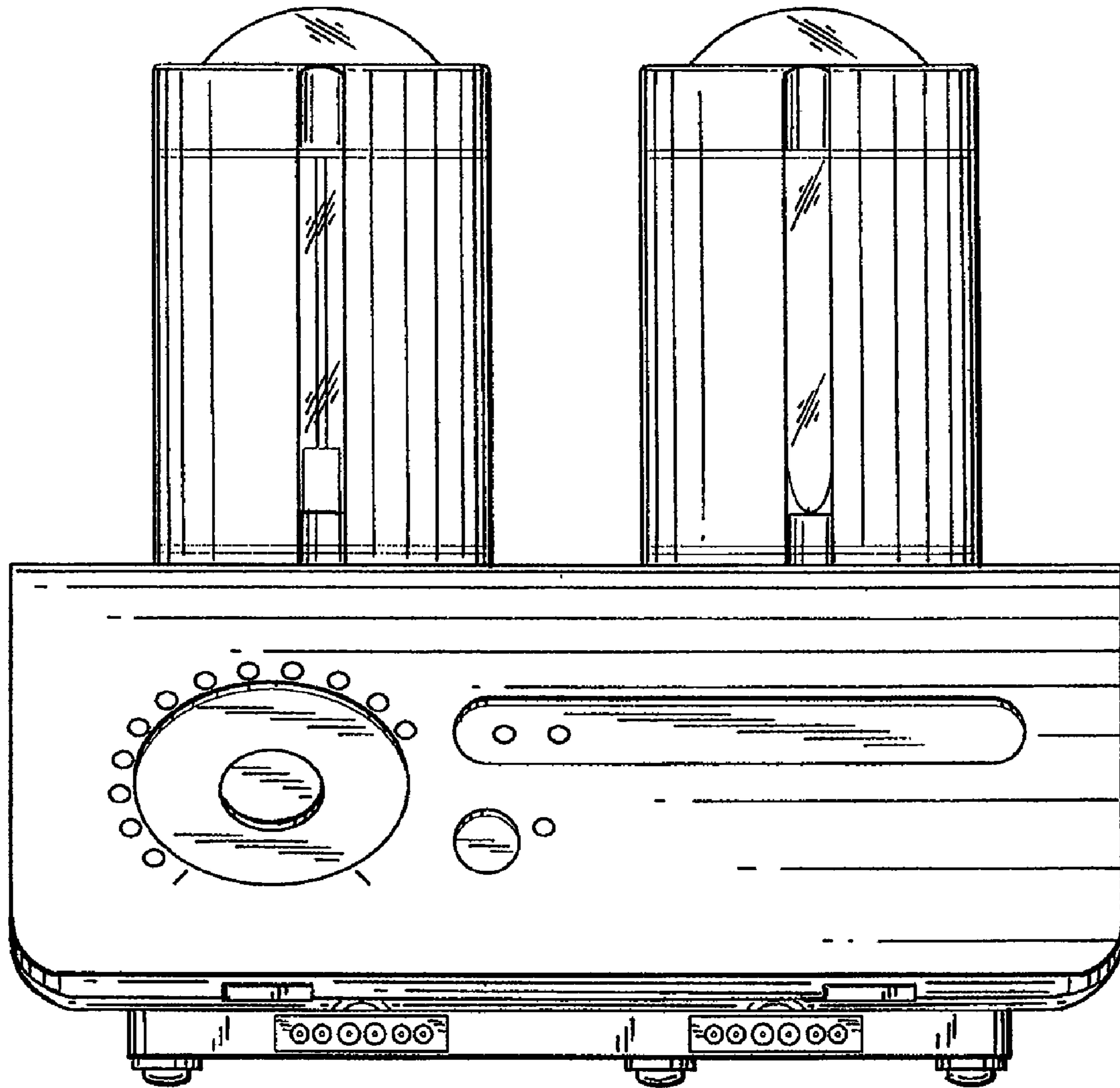


FIG.3



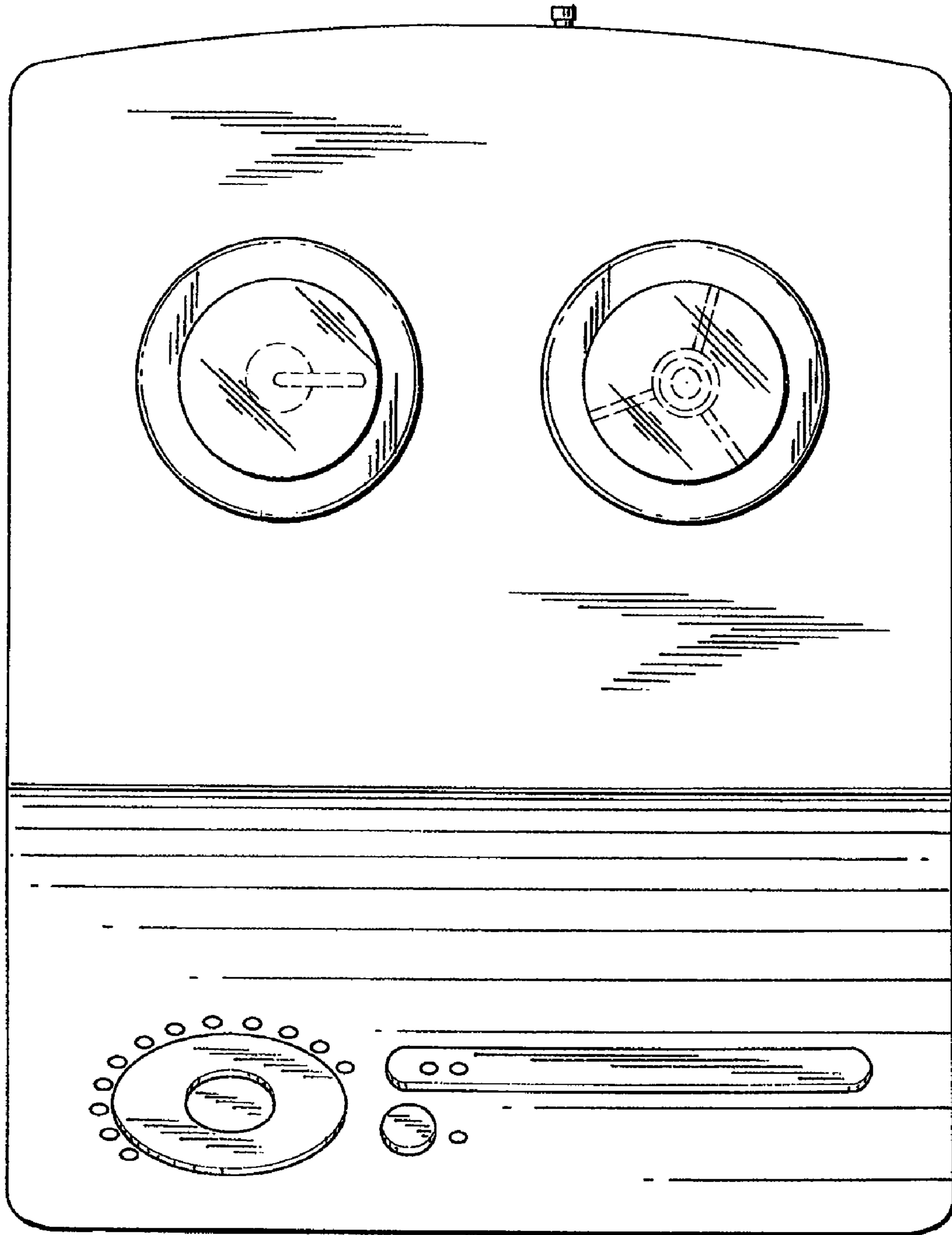


FIG.4

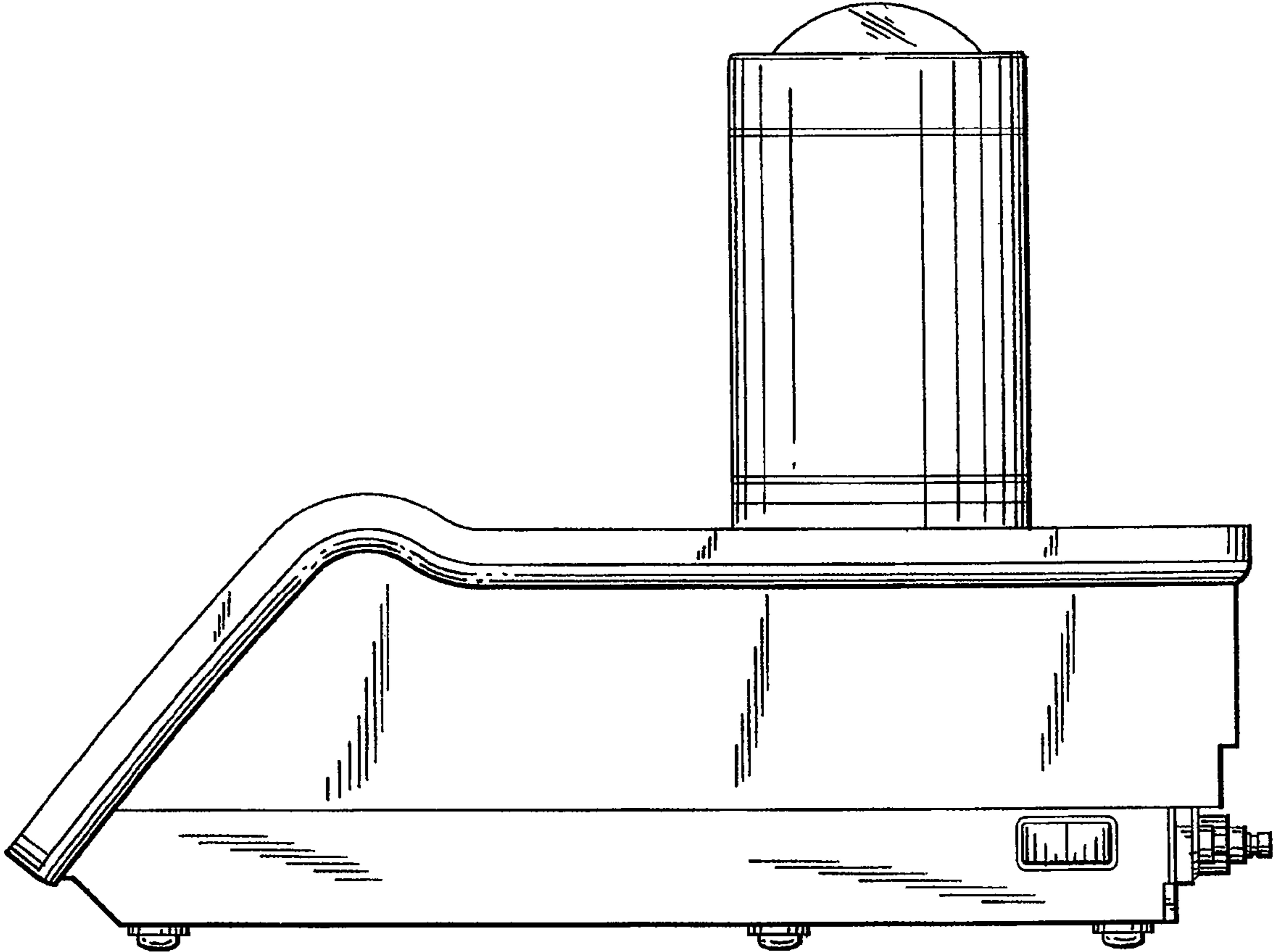


FIG.5

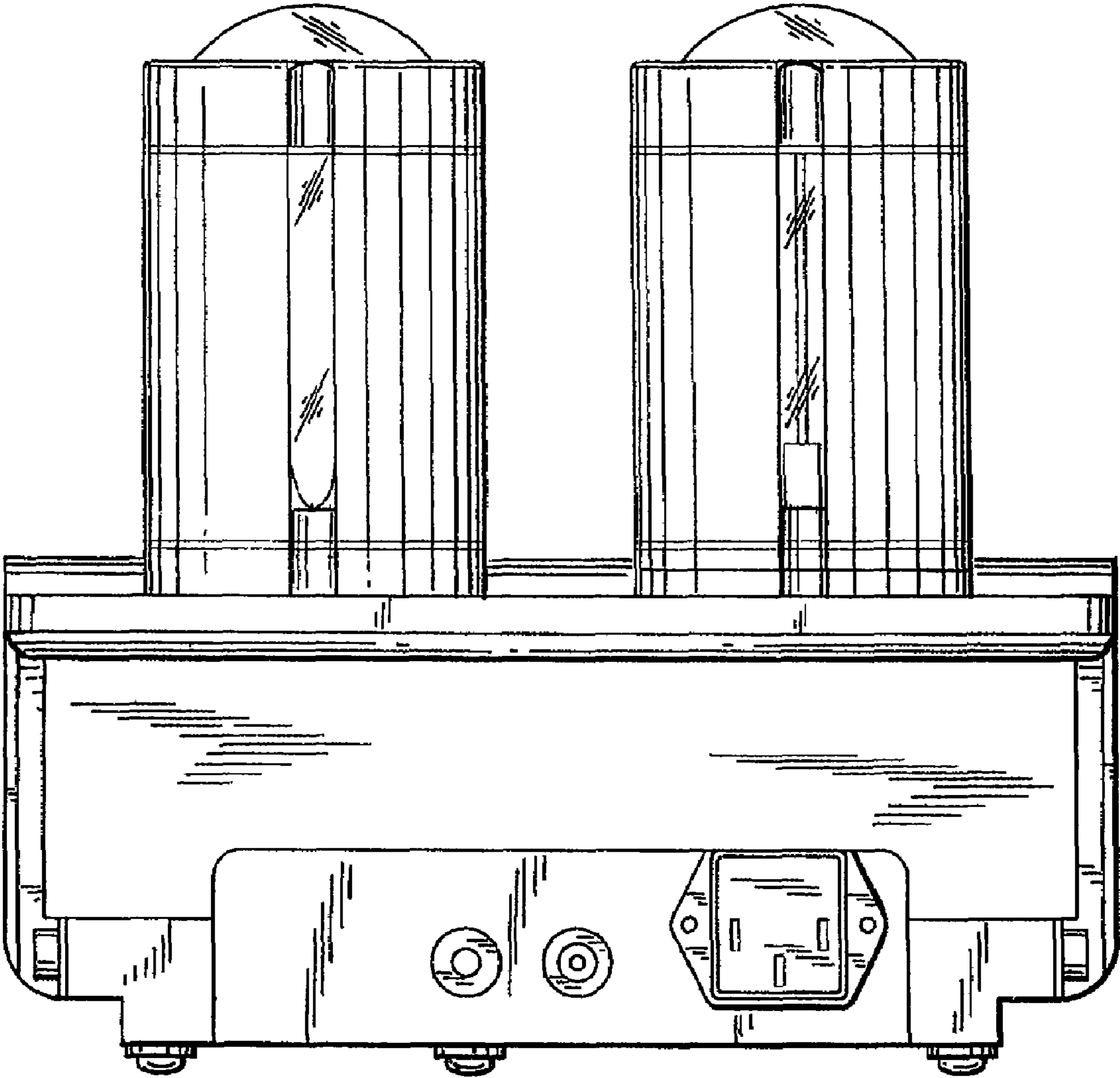


FIG.6