

US00D593197S

(12) **United States Design Patent**
Todd et al.

(10) **Patent No.:** **US D593,197 S**

(45) **Date of Patent:** **** *May 26, 2009**

(54) **FACE MASK**

(75) Inventors: **Jonathan P. Todd**, Murrysville, PA (US); **Christopher J. McCracken**, Monroeville, PA (US)

(73) Assignee: **RIC Investments, LLC**, Wilmington, DE (US)

(*) Notice: This patent is subject to a terminal disclaimer.

(**) Term: **14 Years**

(21) Appl. No.: **29/297,565**

(22) Filed: **Nov. 14, 2007**

(51) **LOC (9) Cl.** **29-02**

(52) **U.S. Cl.** **D24/110.2; D24/110.4**

(58) **Field of Classification Search** D24/110, D24/110.1-110.4; D29/105, 106, 107, 110; 128/201.24, 201.25, 205.25, 205.29, 206.21, 128/206.24; 600/529, 532

See application file for complete search history.

(56) **References Cited**

U.S. PATENT DOCUMENTS

D249,368	S *	9/1978	Watkins, Jr.	D24/110.2
4,177,381	A	12/1979	McClatchie et al.	
4,692,621	A	9/1987	Passaro et al.	
4,859,858	A	8/1989	Knodle et al.	
4,859,859	A	8/1989	Knodle et al.	
4,914,720	A	4/1990	Knodle et al.	
4,971,051	A	11/1990	Toffolon	
D331,988	S *	12/1992	Markert	D24/110.2
D336,546	S *	6/1993	Lybrand	D24/110.2
5,243,971	A	9/1993	Sullivan et al.	
5,282,473	A	2/1994	Braig et al.	
5,540,223	A	7/1996	Starr et al.	
D378,610	S *	3/1997	Reischel et al.	D24/110.2
5,616,923	A	4/1997	Rich et al.	

5,647,355	A	7/1997	Starr et al.	
5,647,357	A	7/1997	Barnett et al.	
D388,873	S *	1/1998	Richards et al.	D24/110.4
5,932,877	A	8/1999	Braig et al.	
D426,298	S *	6/2000	Grannis et al.	D24/110.2
6,397,847	B1	6/2002	Scarberry et al.	
6,402,697	B1	6/2002	Calkins et al.	
6,467,483	B1	10/2002	Kopacko et al.	
6,851,425	B2	2/2005	Jaffre et al.	
D579,105	S *	10/2008	Jones et al.	D24/110.1
2002/0174866	A1	11/2002	Orr et al.	

FOREIGN PATENT DOCUMENTS

WO WO 03/022329 A2 3/2003

* cited by examiner

Primary Examiner—Ian Simmons

Assistant Examiner—Christopher Lee

(74) *Attorney, Agent, or Firm*—Timothy A. Nathan

(57) **CLAIM**

The ornamental design for a face mask, as shown and described.

DESCRIPTION

FIG. 1 is a perspective illustration of an embodiment of the face mask according to our design;

FIG. 2 is a front elevation view thereof;

FIG. 3 is a rear elevation view thereof;

FIG. 4 is a right side view thereof;

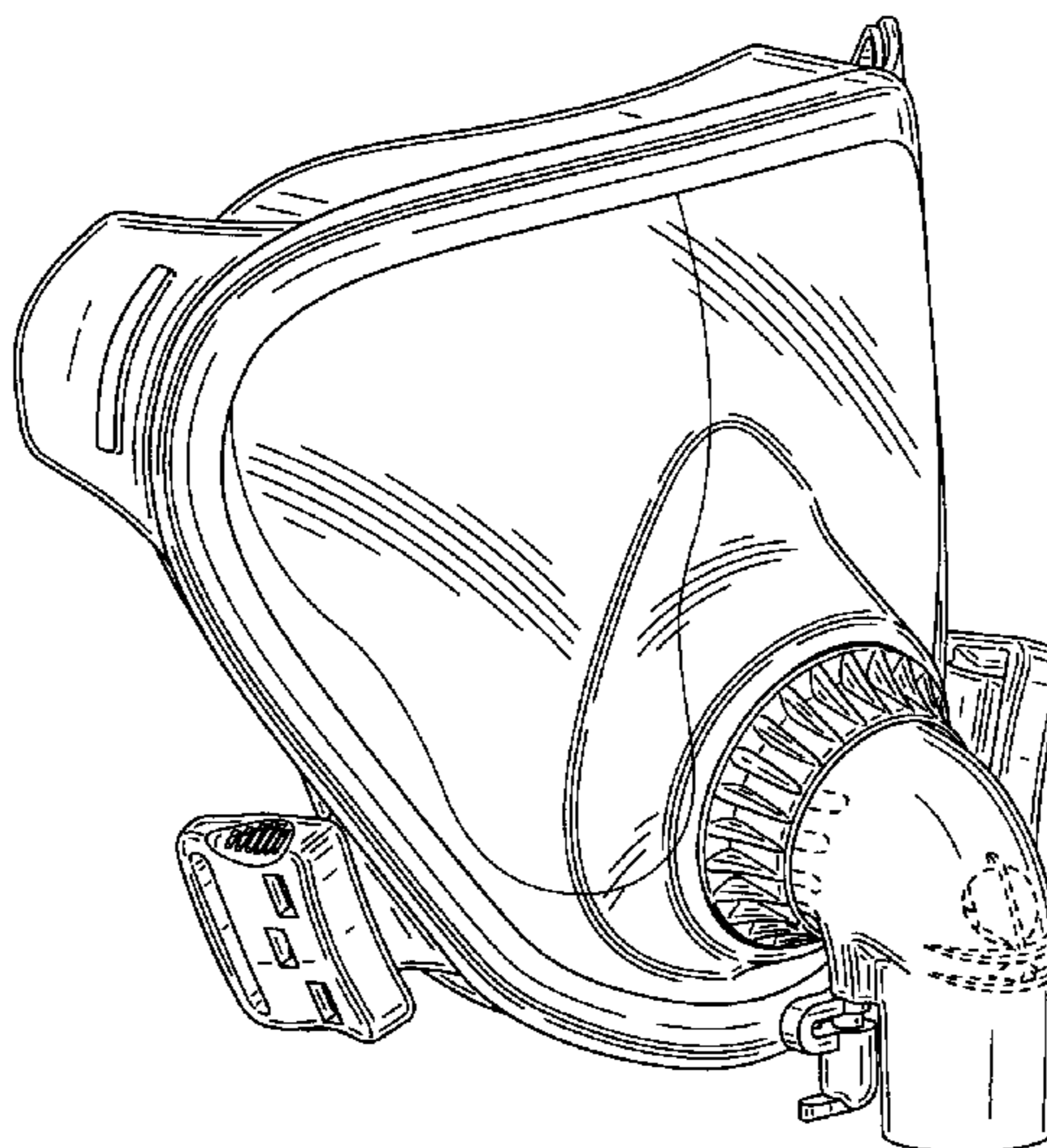
FIG. 5 is a left side view thereof;

FIG. 6 is a top plan view thereof; and,

FIG. 7 is a bottom plan view thereof.

Where included, broken lines showing environment or structure are for illustrative purposes only and form no part of the claimed design.

1 Claim, 7 Drawing Sheets



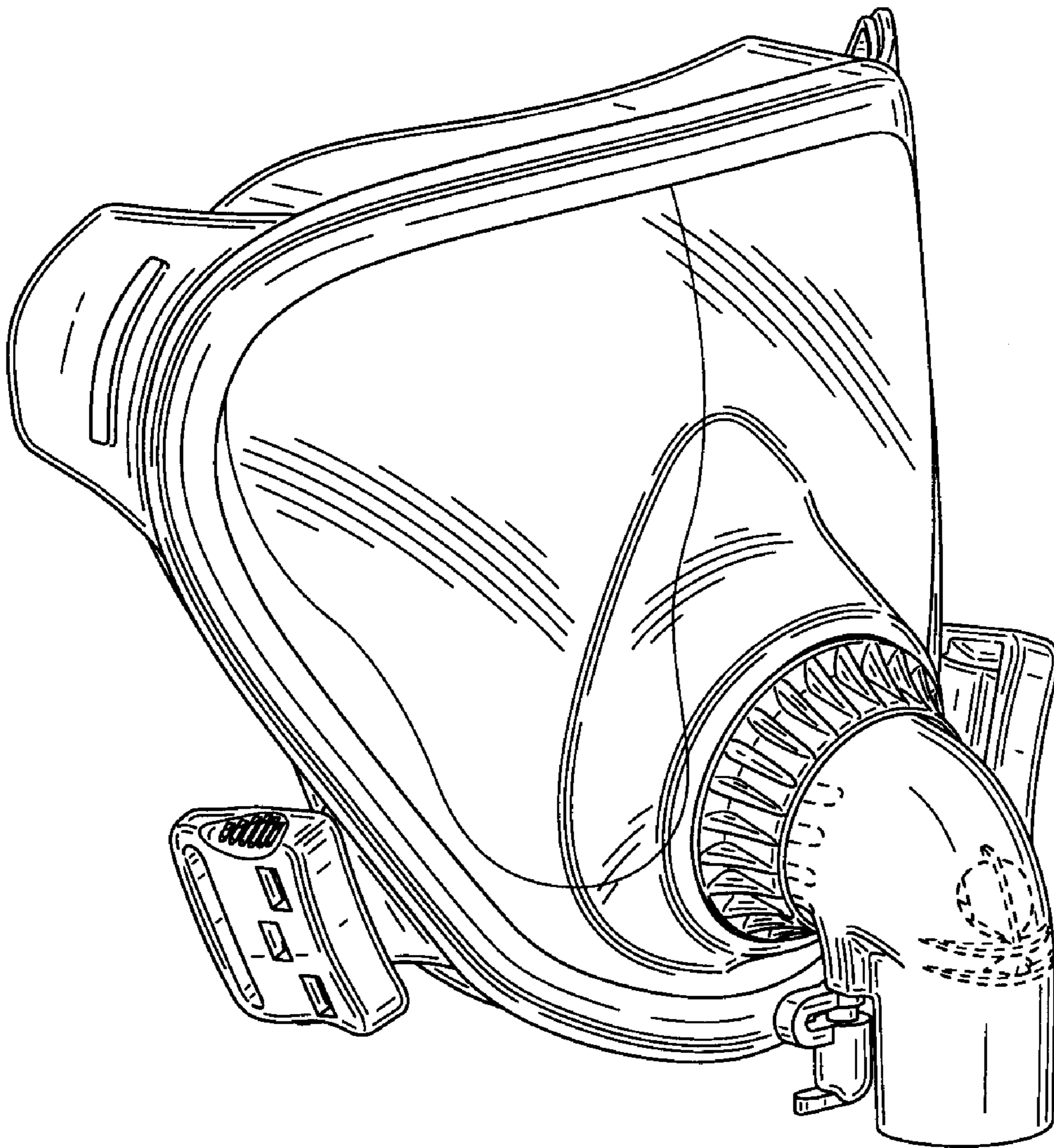


FIG. 1

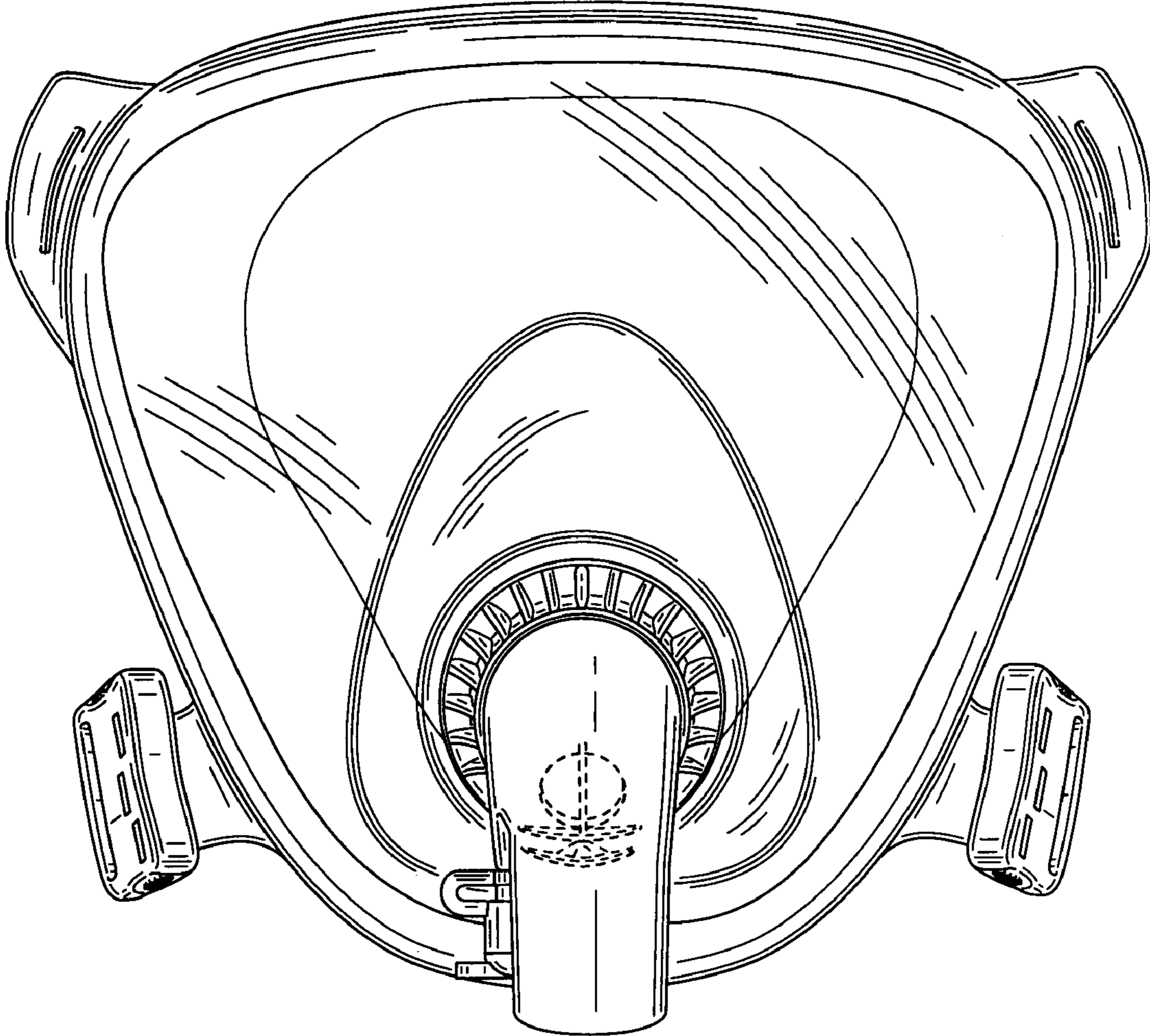


FIG. 2

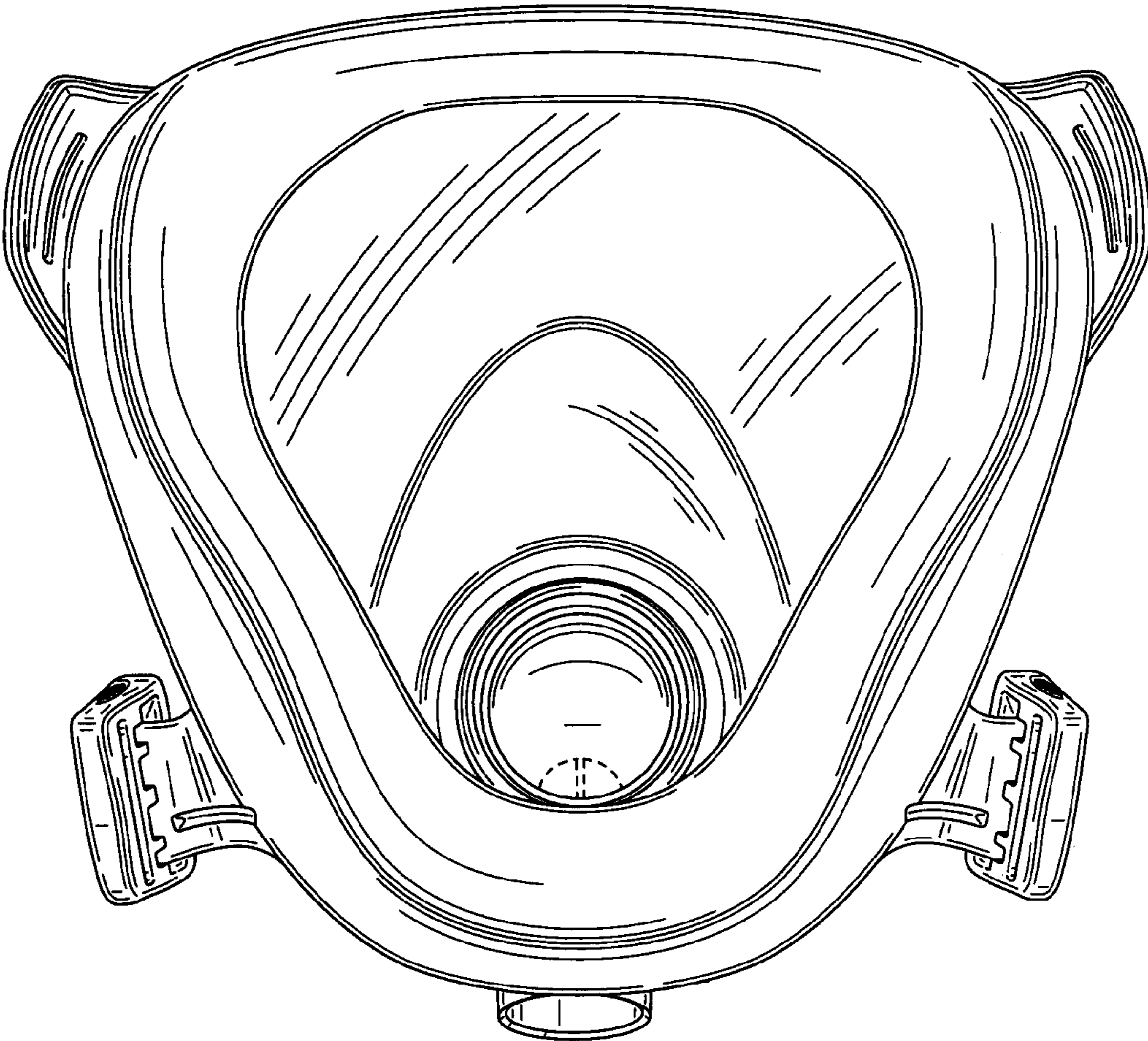


FIG. 3

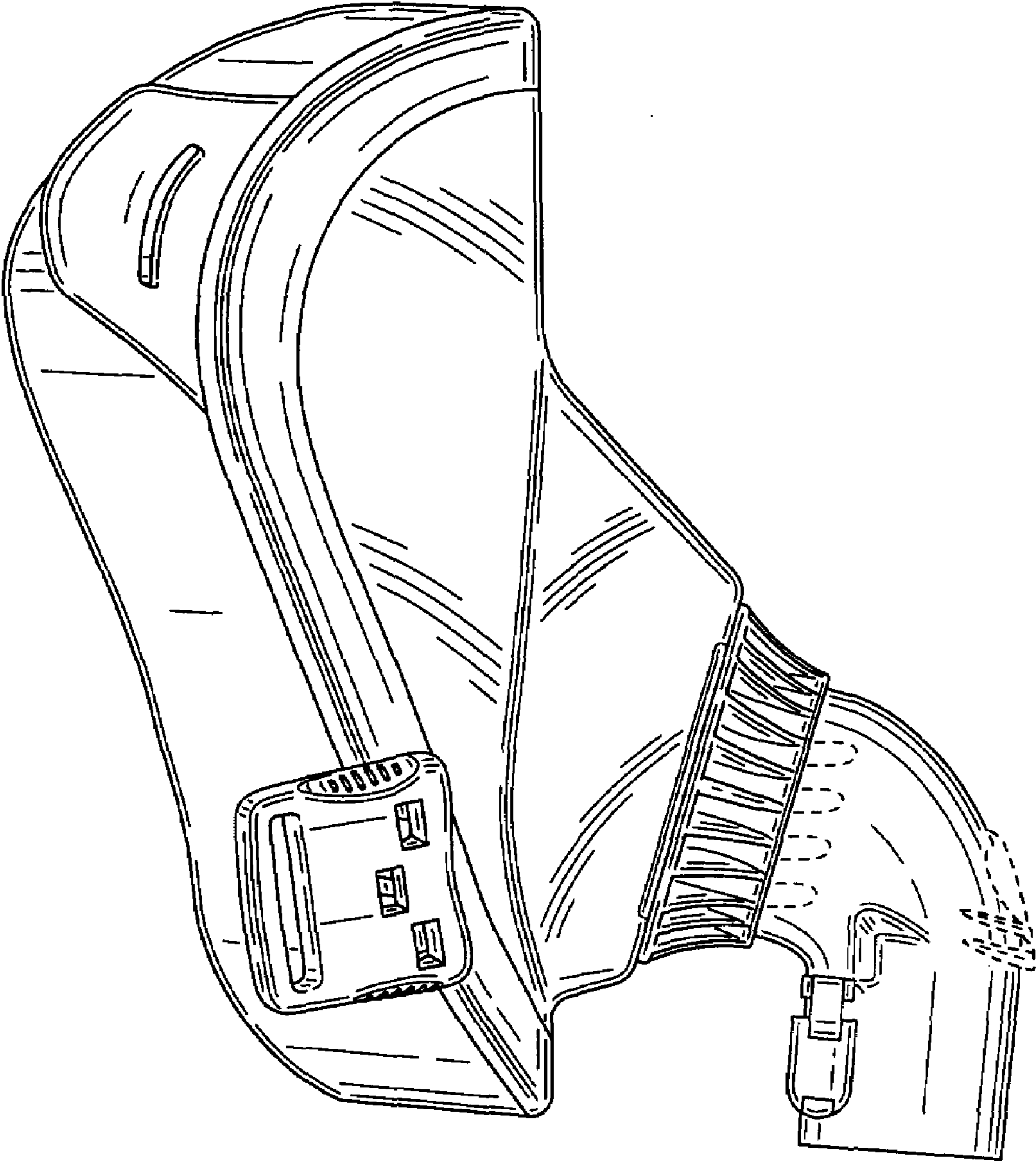


FIG. 4

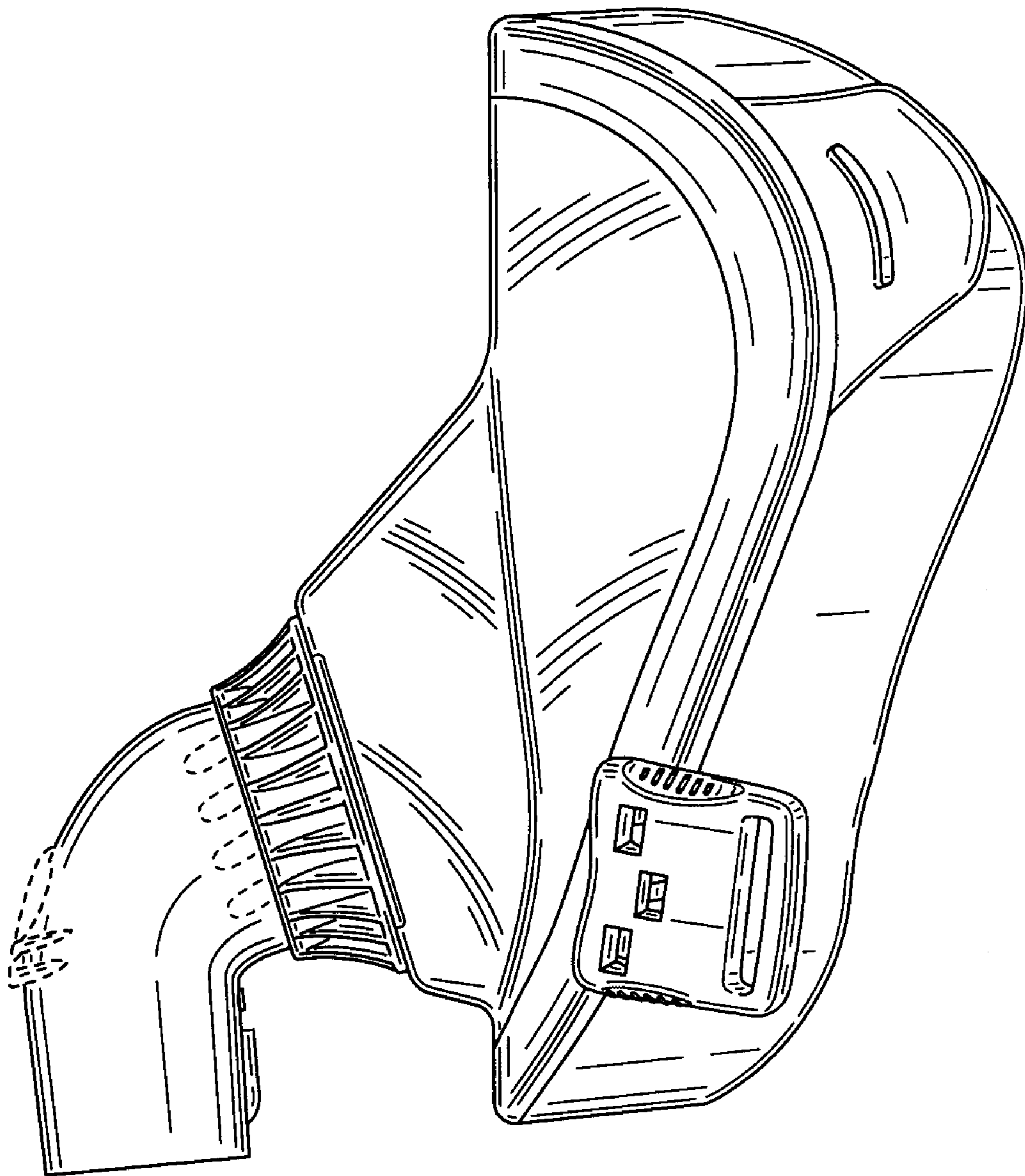


FIG. 5

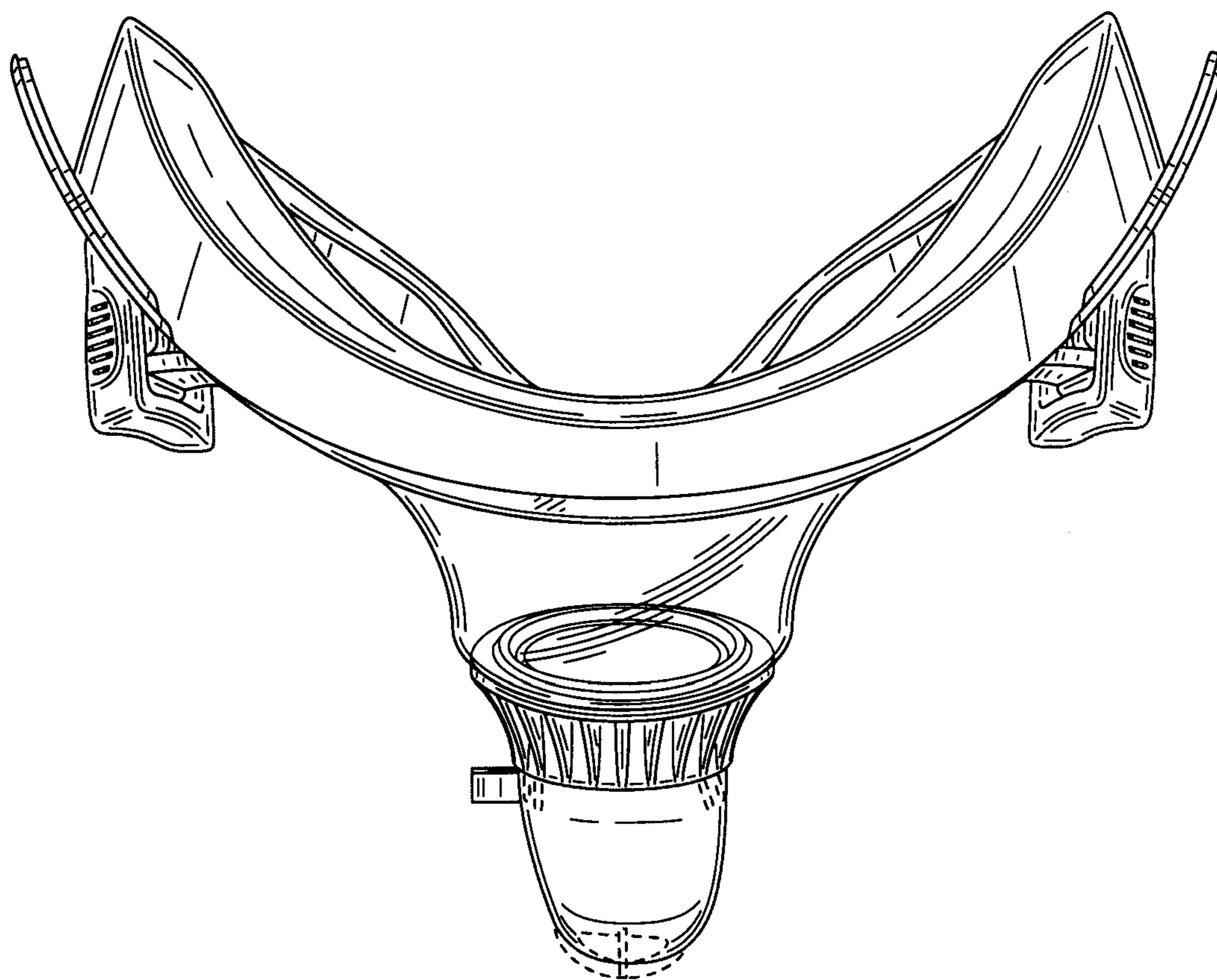


FIG. 6

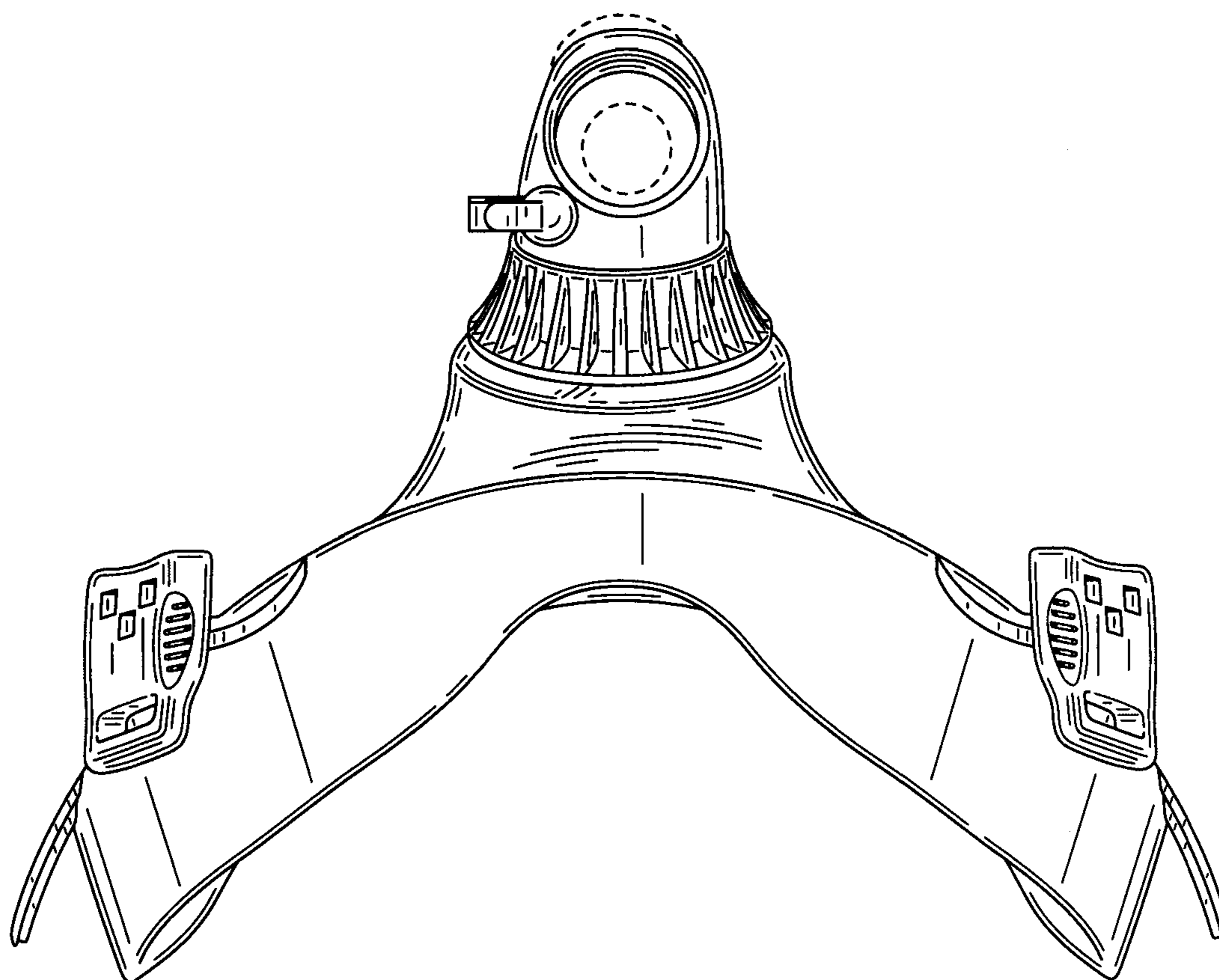


FIG. 7